



US00D640573S

(12) **United States Design Patent**
Giannini

(10) **Patent No.:** **US D640,573 S**

(45) **Date of Patent:** **** Jun. 28, 2011**

(54) **WRISTWATCH**

(75) **Inventor:** **Frida Giannini**, Florence (IT)

(73) **Assignee:** **Luxury Timepieces International SA**,
Cortailod (CH)

(**) **Term:** **14 Years**

(21) **Appl. No.:** **29/380,685**

(22) **Filed:** **Dec. 9, 2010**

(30) **Foreign Application Priority Data**

Jun. 9, 2010 (CH) 137002

(51) **LOC (9) Cl.** **10-02**

(52) **U.S. Cl.** **D10/32**

(58) **Field of Classification Search** D10/30-39;
368/276, 281, 282, 285; D11/3, 12
See application file for complete search history.

(56) **References Cited**

U.S. PATENT DOCUMENTS

3,735,585	A	*	5/1973	Takagi	368/281
D371,745	S	*	7/1996	Wunderman	D10/32
D389,748	S	*	1/1998	Kennedy	D10/30
D390,126	S	*	2/1998	Kennedy	D10/32
D390,128	S	*	2/1998	Toribio	D10/32

D390,130	S	*	2/1998	Kennedy	D10/32
D396,652	S	*	8/1998	Voegeli	D10/32
D418,066	S	*	12/1999	Modolo	D10/39
D445,040	S	*	7/2001	Bodino	D10/32
D447,703	S	*	9/2001	Bodino	D10/32
D472,160	S	*	3/2003	Modolo	D10/32
D472,161	S	*	3/2003	Lassigne	D10/32
D488,076	S	*	4/2004	Lassigne	D10/32
D491,475	S	*	6/2004	Modolo	D10/32
D567,112	S	*	4/2008	Giannini	D10/31
D575,645	S	*	8/2008	Giannini	D10/32

* cited by examiner

Primary Examiner — Lucy Lieberman

(74) *Attorney, Agent, or Firm* — Oblon, Spivak,
McClelland, Maier & Neustadt, L.L.P.

(57) **CLAIM**

The ornamental design for a wristwatch, as shown and described.

DESCRIPTION

FIG. 1 is a front and right side perspective view of a wristwatch;

FIG. 2 is a left side elevational view thereof;

FIG. 3 is a right side elevational view thereof;

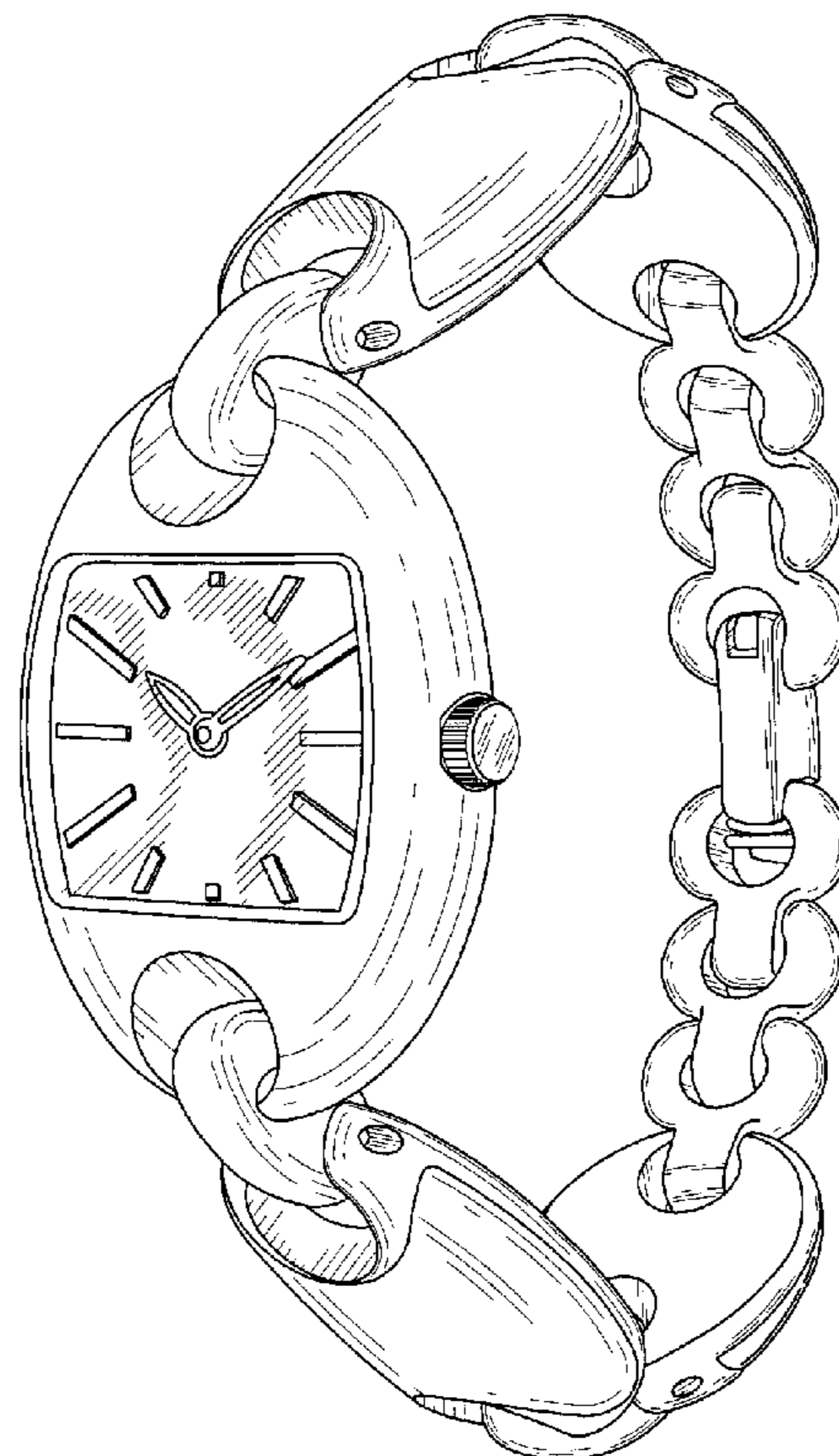
FIG. 4 is a rear elevational view thereof;

FIG. 5 is a front elevational view thereof;

FIG. 6 is a top plan view thereof; and,

FIG. 7 is a bottom plan view thereof.

1 Claim, 5 Drawing Sheets



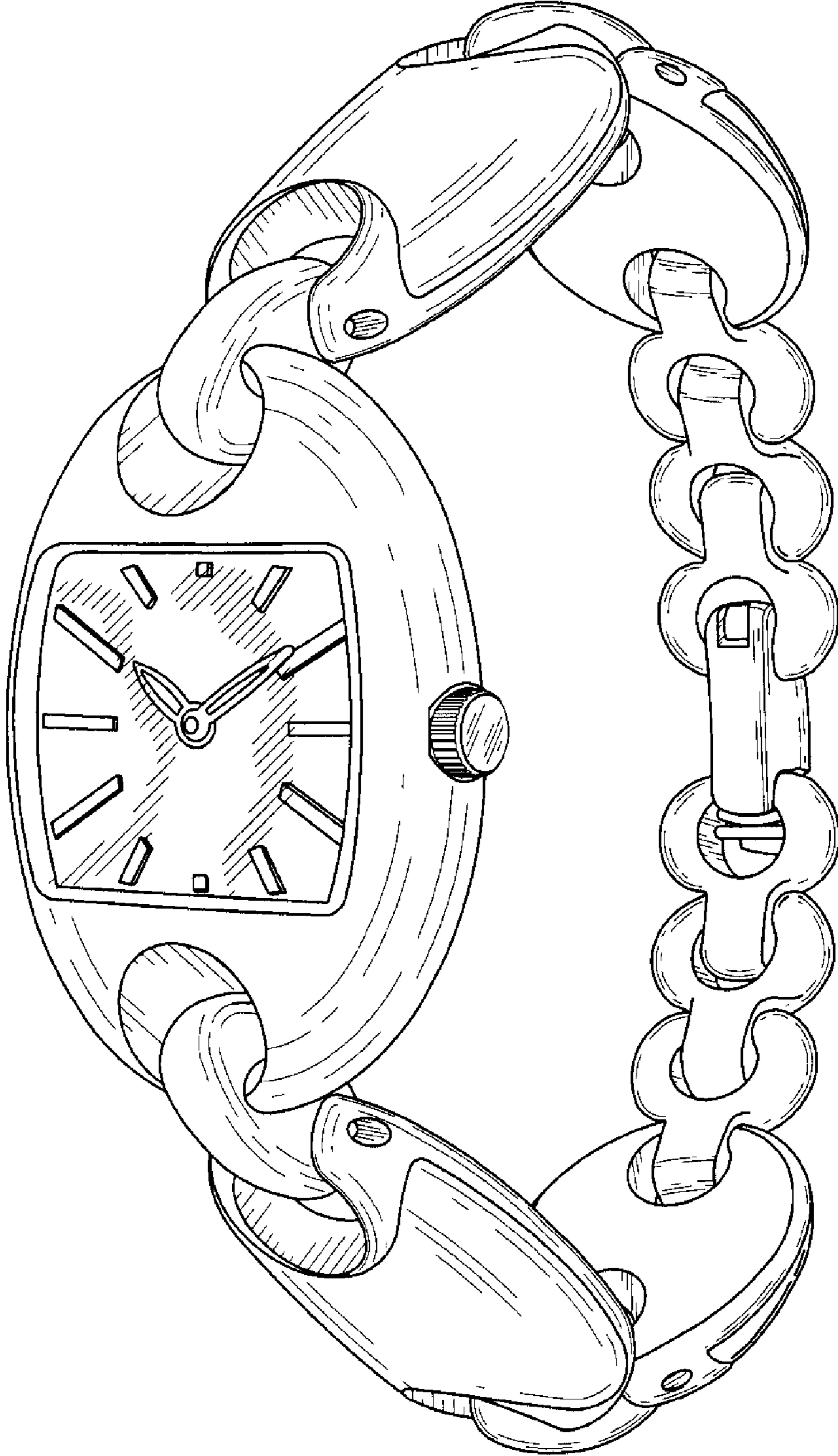


FIG. 1

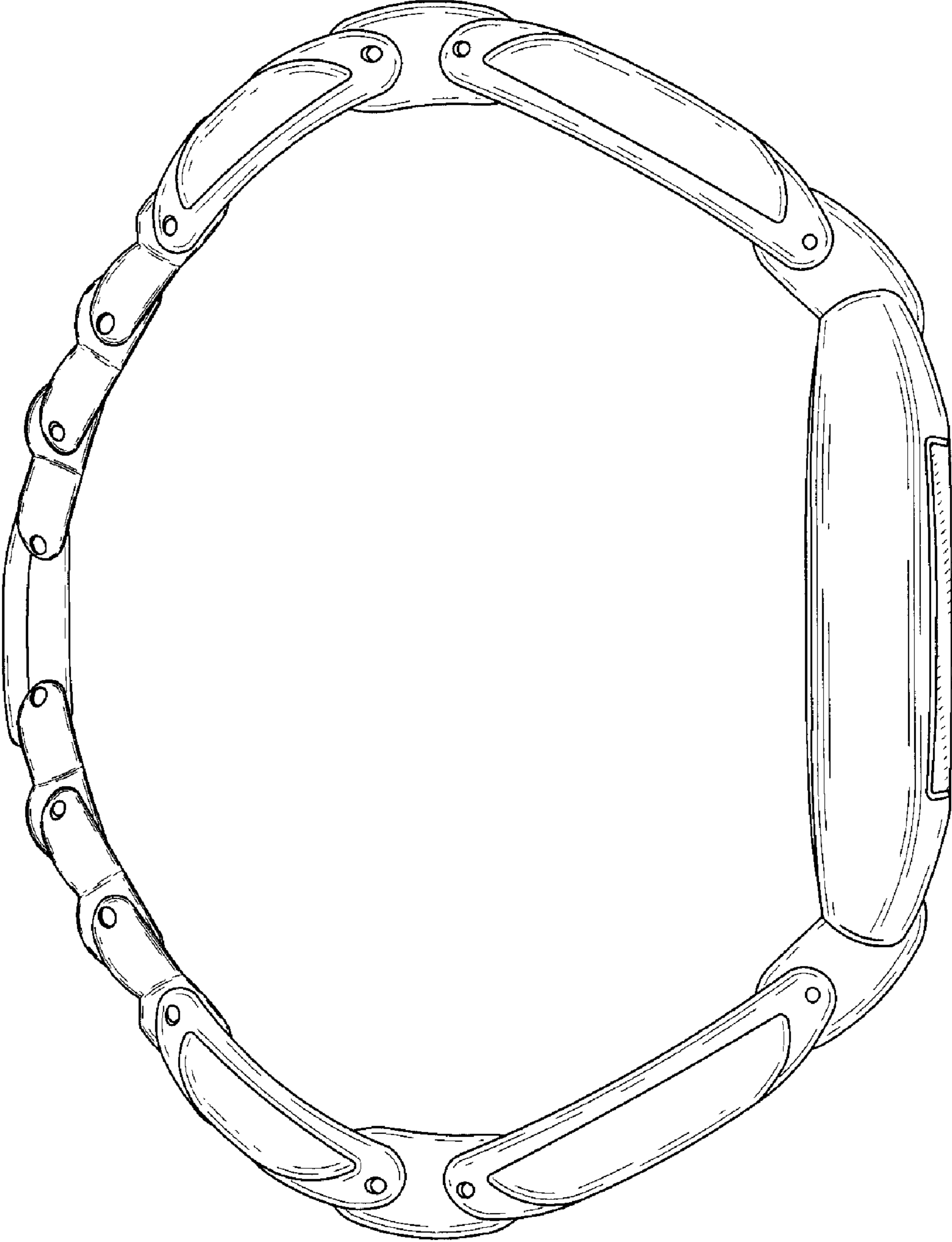


FIG. 2

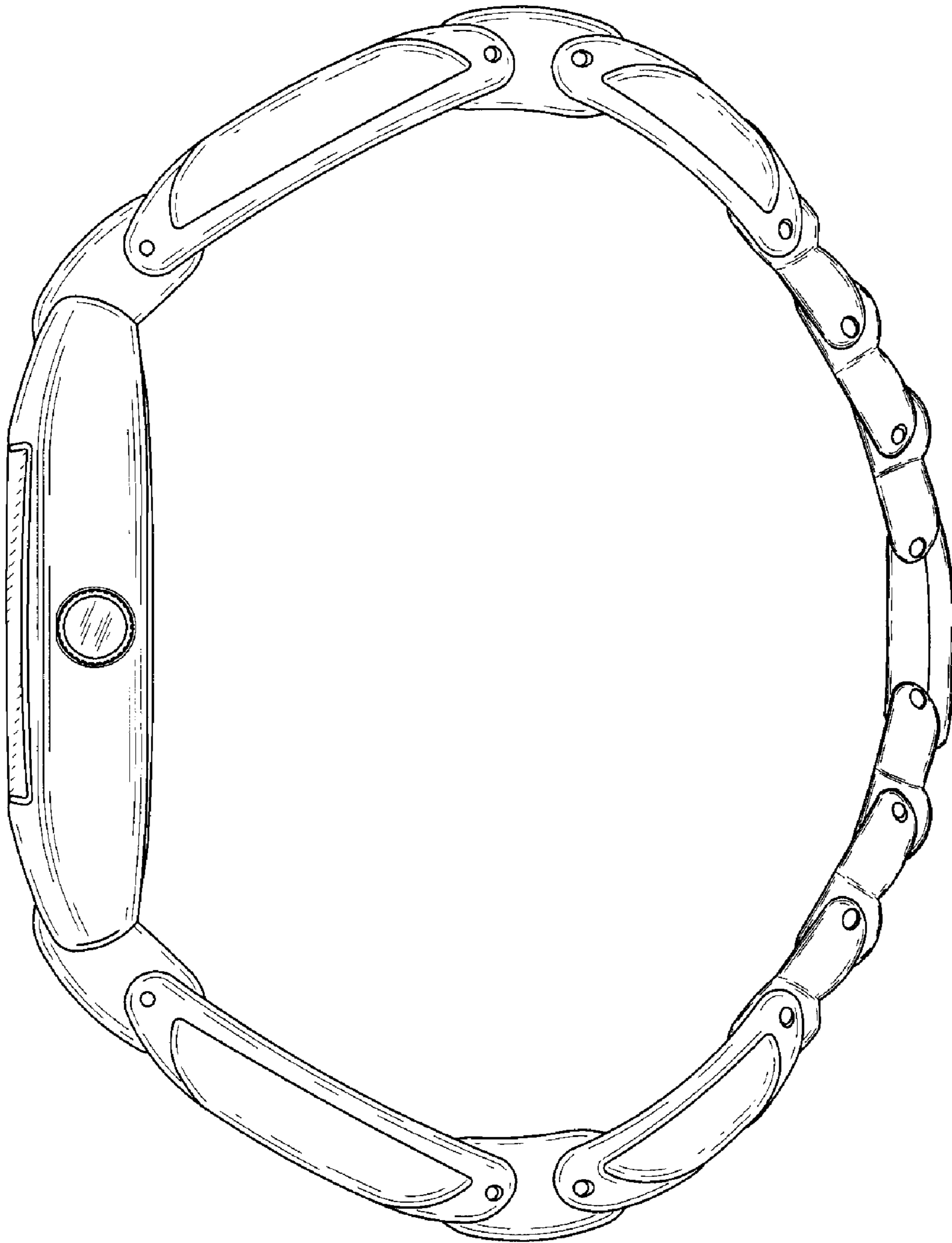


FIG. 3

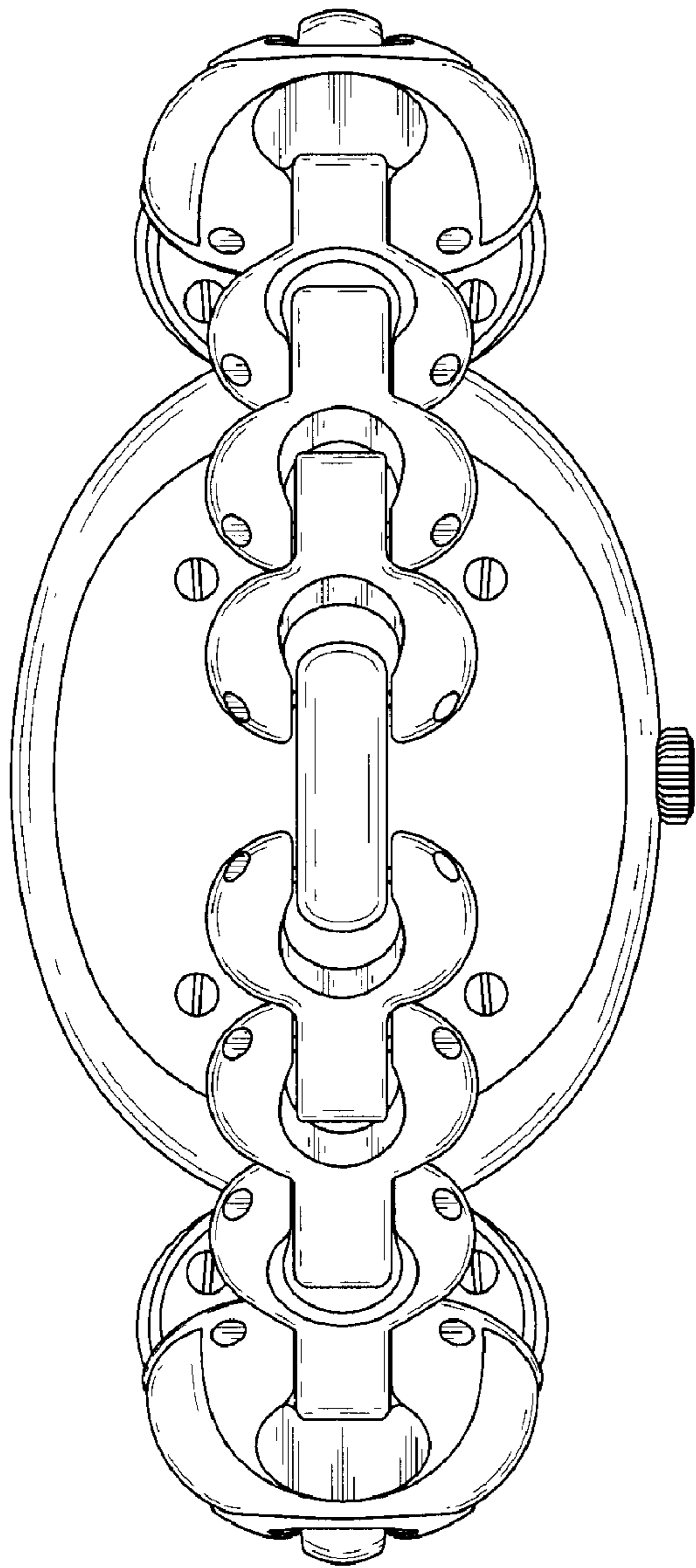


FIG. 4

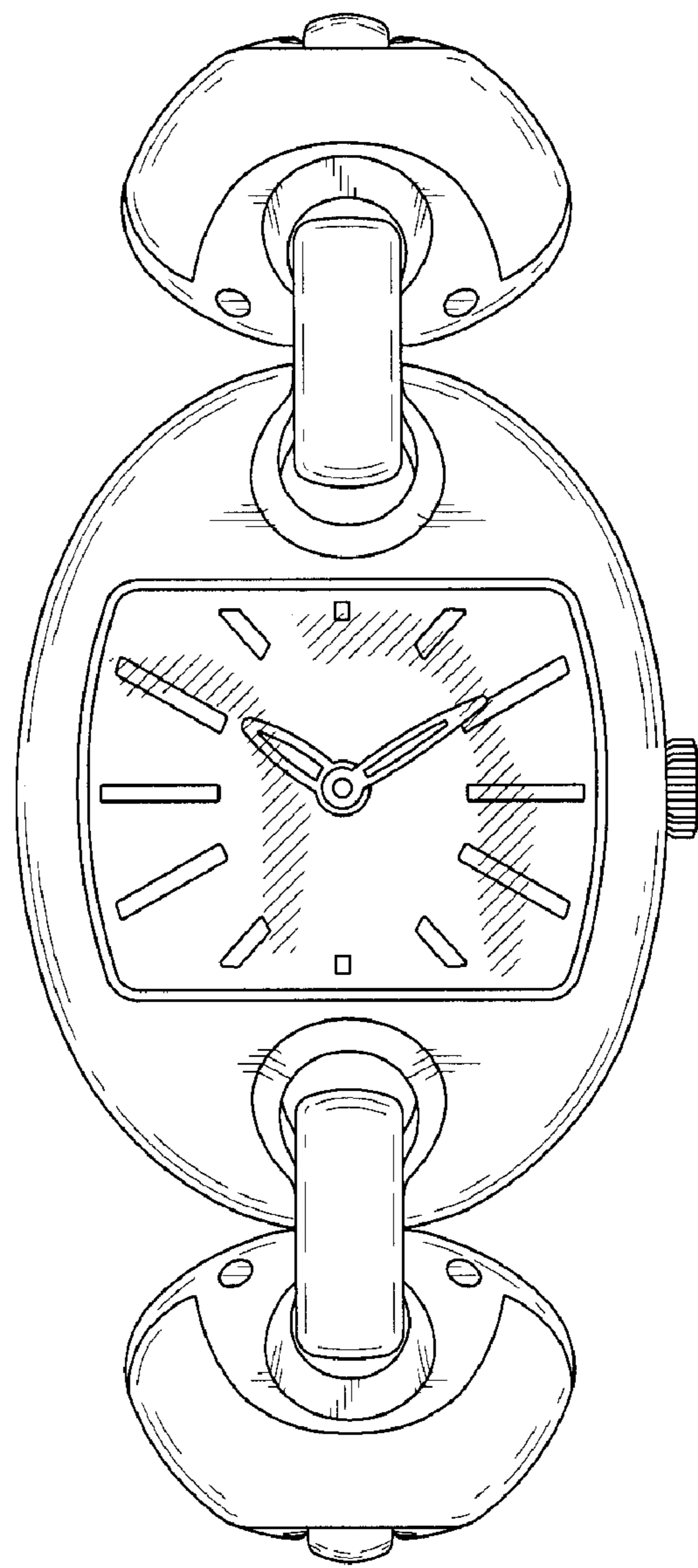


FIG. 5

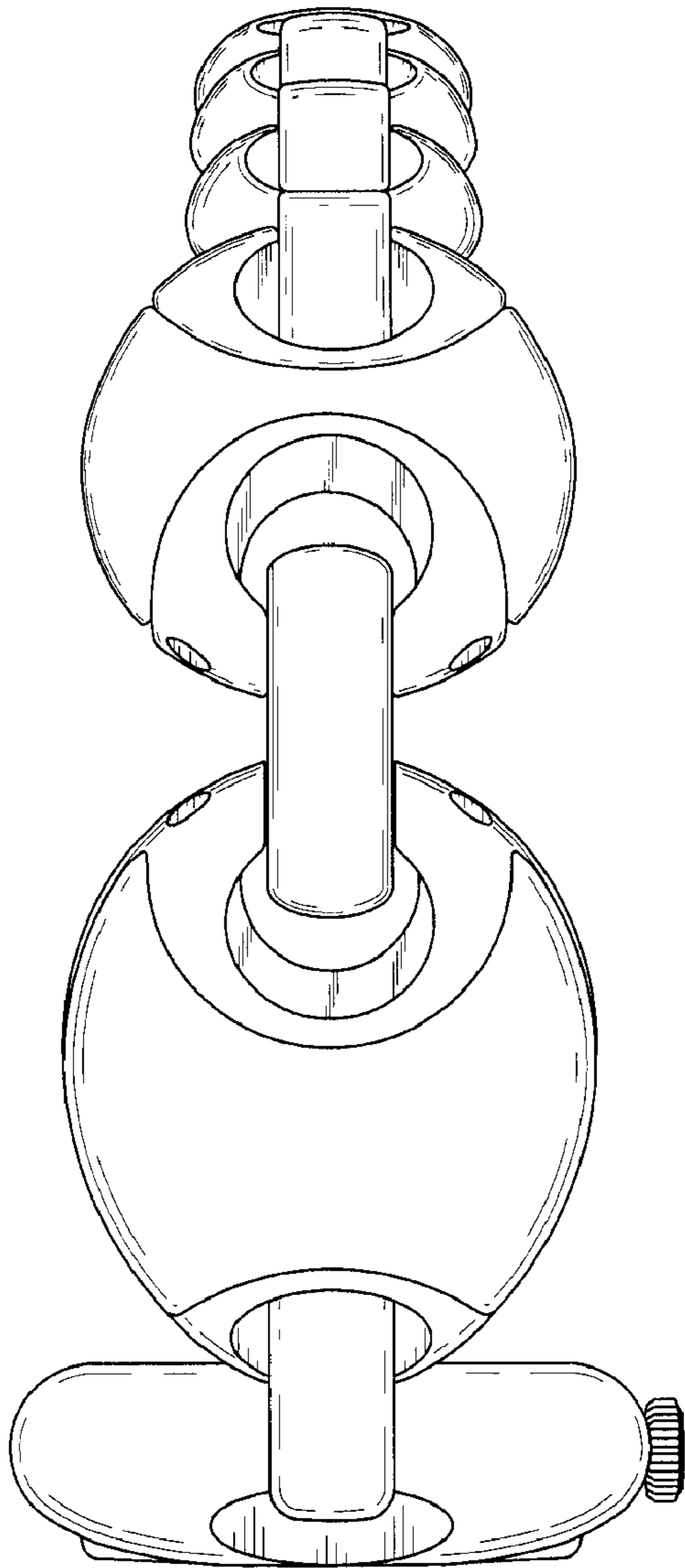


FIG. 6

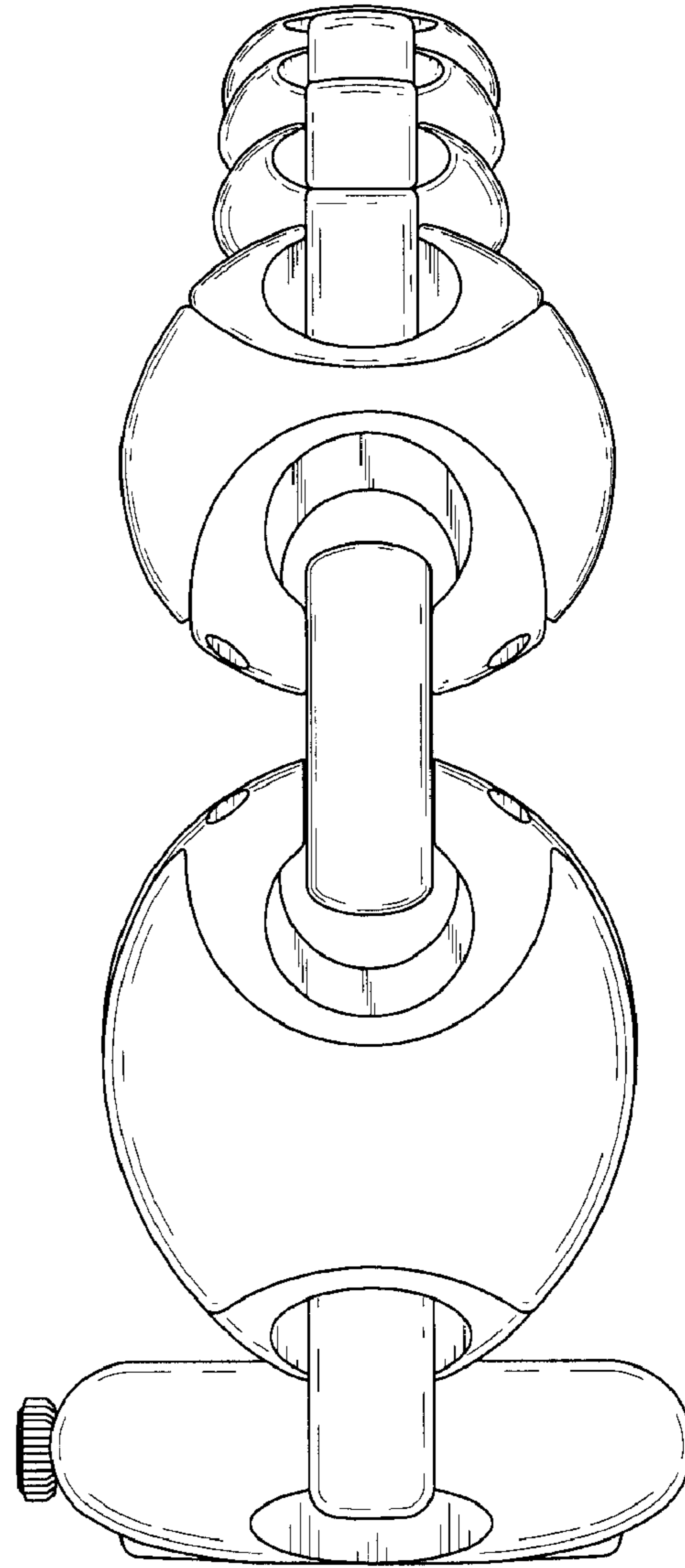


FIG. 7