



US00D640568S

(12) **United States Design Patent**
Cluett et al.

(10) **Patent No.:** **US D640,568 S**
(45) **Date of Patent:** **** Jun. 28, 2011**

(54) **PACKAGE AND A WINDOW COVERING**
(75) Inventors: **Timothy D. Cluett**, Summerfield, NC (US); **Kristi Jane Georgi**, Dunwoody, GA (US); **Brian Bellamy Johnson**, Atlanta, GA (US); **James McCauley**, Roswell, GA (US); **William Norris Scott**, Decatur, GA (US); **Martin Richard Van Buren**, Atlanta, GA (US); **Russell Dudley Wooten**, Mebane, NC (US)

(73) Assignee: **Newell Window Furnishings, Inc.**, High Point, NC (US)

(**) Term: **14 Years**

(21) Appl. No.: **29/366,072**

(22) Filed: **Jul. 19, 2010**

(51) **LOC (9) Cl.** **09-01**

(52) **U.S. Cl.** **D9/721; D9/715**

(58) **Field of Classification Search** D9/432, D9/711, 715, 721; 206/443, 526; 220/377

See application file for complete search history.

(56) **References Cited**

U.S. PATENT DOCUMENTS

3,648,831	A *	3/1972	Arnone	206/468
D229,673	S *	12/1973	Danjeczek	D9/759
3,917,065	A *	11/1975	Pape	206/326
D244,511	S *	5/1977	Frisbey	D9/432
4,331,287	A *	5/1982	Wharton, Jr.	206/315.2
D267,700	S *	1/1983	Skarin	D9/721
4,570,791	A *	2/1986	Hogoboom	206/326
4,976,301	A *	12/1990	Easley et al.	160/84.01
6,263,945	B1	7/2001	Nien	
6,793,073	B2	9/2004	Tu	

2004/0099547	A1 *	5/2004	Ford et al.	206/279
2005/0188515	A1	9/2005	Reimer et al.	
2006/0108078	A1	5/2006	Kollman et al.	
2007/0051650	A1 *	3/2007	Carlozzi et al.	206/443
2009/0301039	A1 *	12/2009	Caputo	53/473
2010/0025276	A1 *	2/2010	Rolion et al.	206/443
2011/0016830	A1 *	1/2011	Goldberg	53/429

OTHER PUBLICATIONS

- U.S. Appl. No. 10/908,728, filed May 24, 2005.
- U.S. Appl. No. 12/349,771, filed Jan. 7, 2009.
- U.S. Appl. No. 12/839,083, filed Jul. 19, 2010.
- U.S. Appl. No. 29/366,066, filed Jul. 19, 2010.
- U.S. Appl. No. 29/366,069, filed Jul. 19, 2010.
- U.S. Appl. No. 29/366,071, filed Jul. 19, 2010.

* cited by examiner

Primary Examiner — Thomas Johannes

(74) *Attorney, Agent, or Firm* — Dennis J. Williamson; Moore & Van Allen, PLLC

(57) **CLAIM**

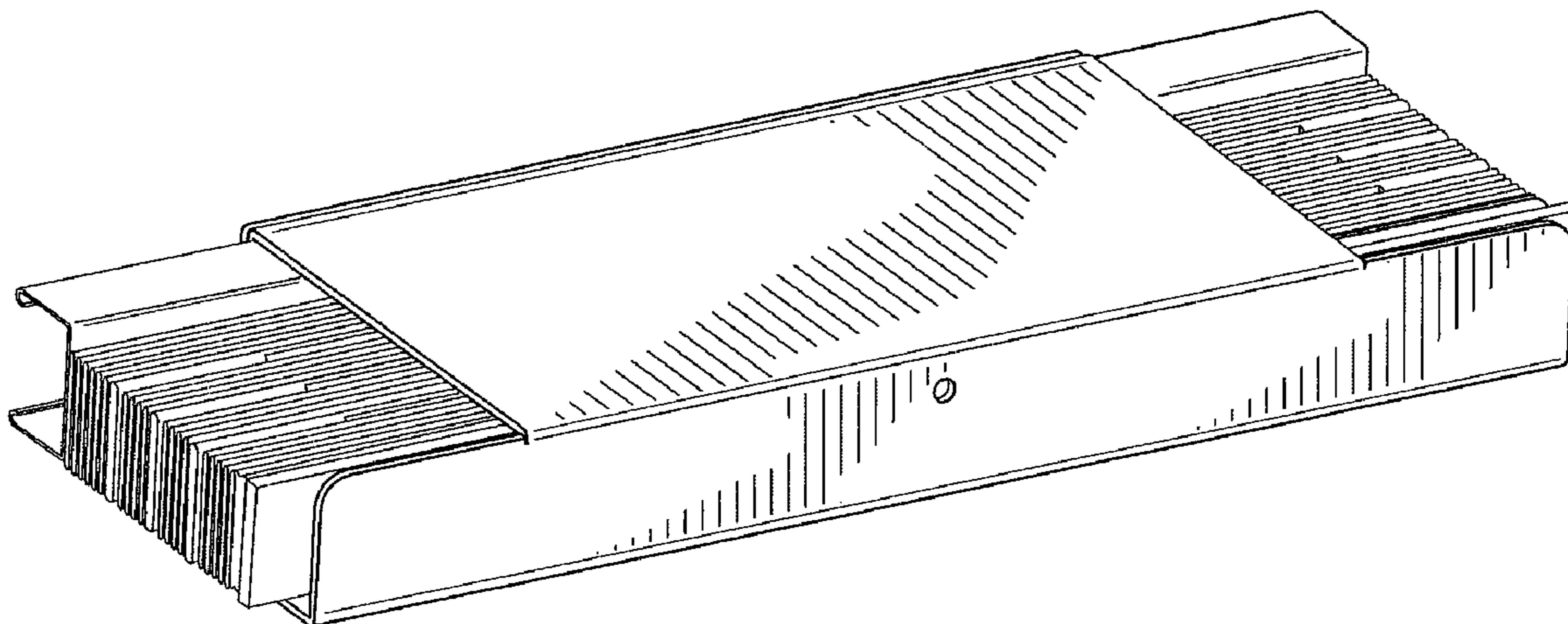
We claim the ornamental design for a package and a window covering, as shown and described.

DESCRIPTION

FIG. 1 is a perspective view showing our new design for a package and a window covering;
 FIG. 2 is a back elevation view thereof;
 FIG. 3 is a front elevation view thereof;
 FIG. 4 is a top plan view thereof;
 FIG. 5 is a bottom plan view thereof;
 FIG. 6 is a right side elevation view thereof; and,
 FIG. 7 is a left side elevation view thereof.

The broken line portion of the figure drawings is included to show unclaimed subject matter only and forms no part of the claimed design.

1 Claim, 4 Drawing Sheets



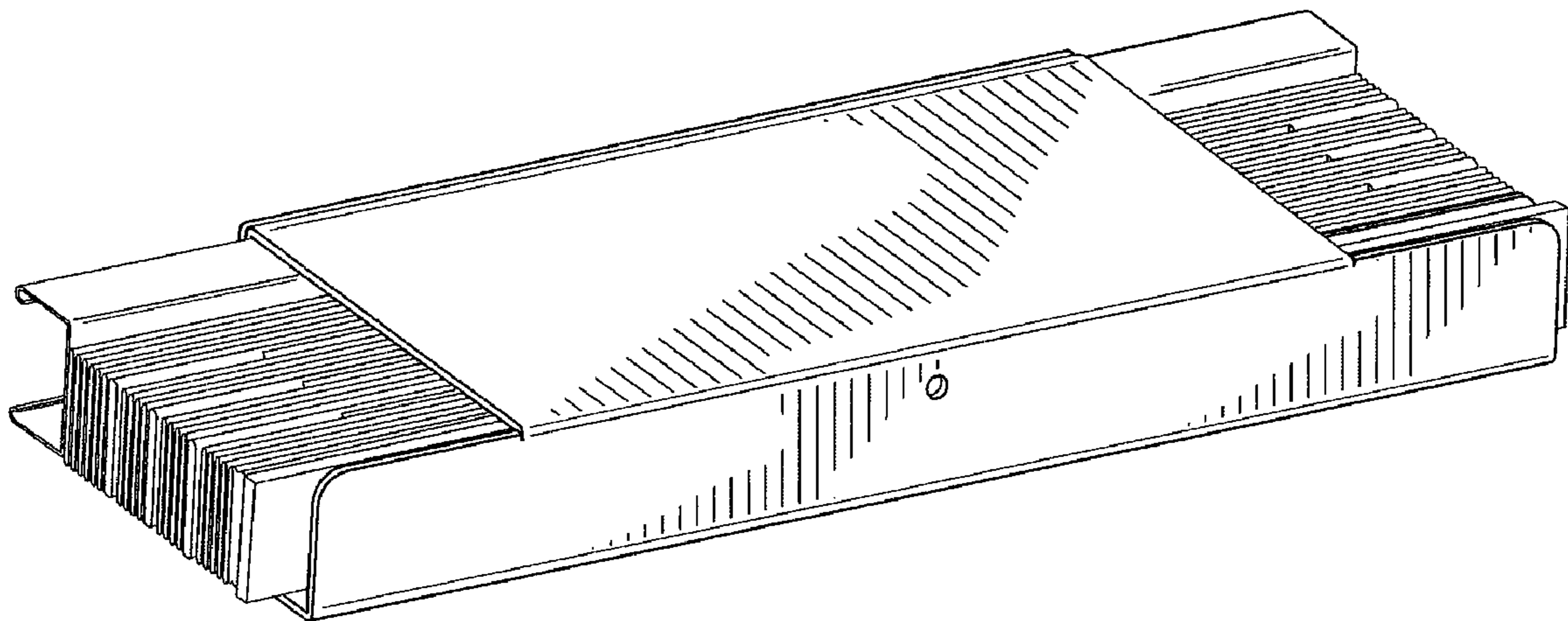


FIG. 1

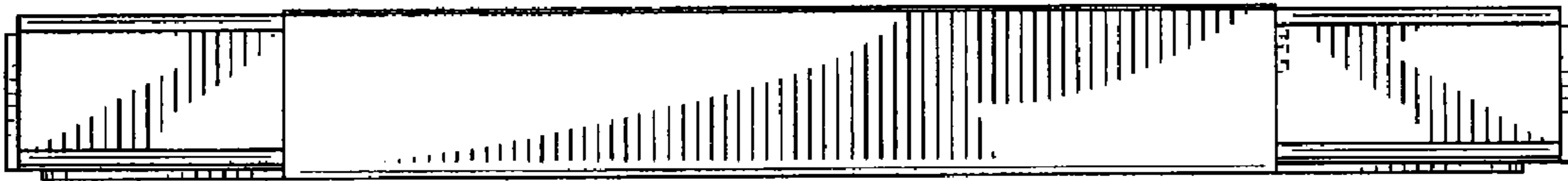


FIG. 2

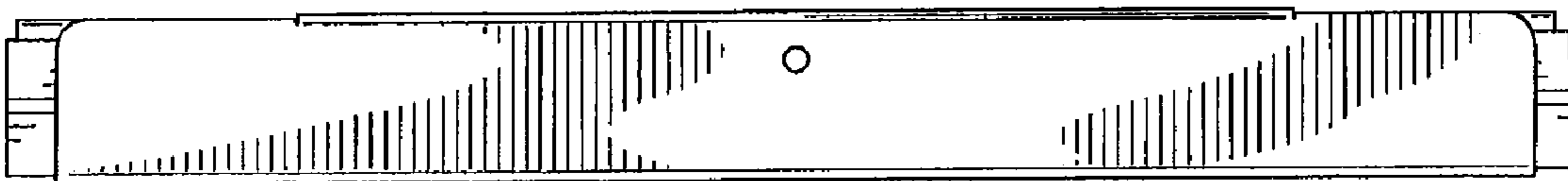


FIG. 3

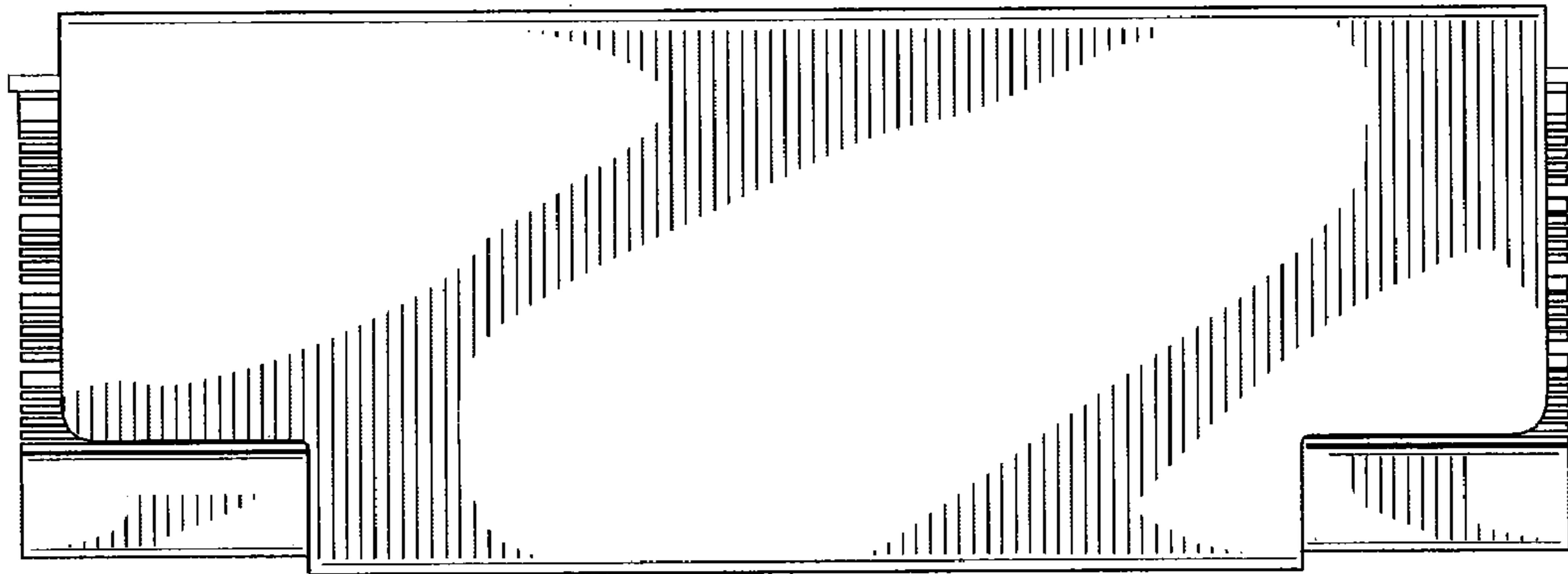


FIG. 4

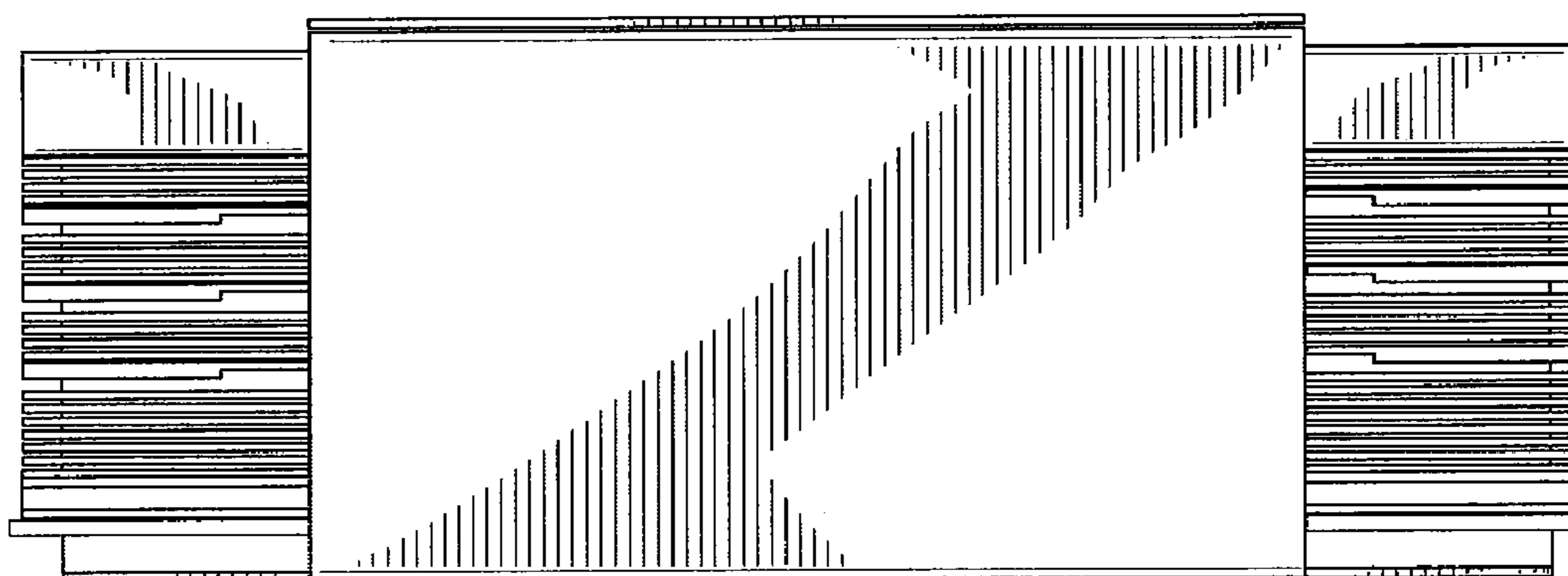


FIG. 5

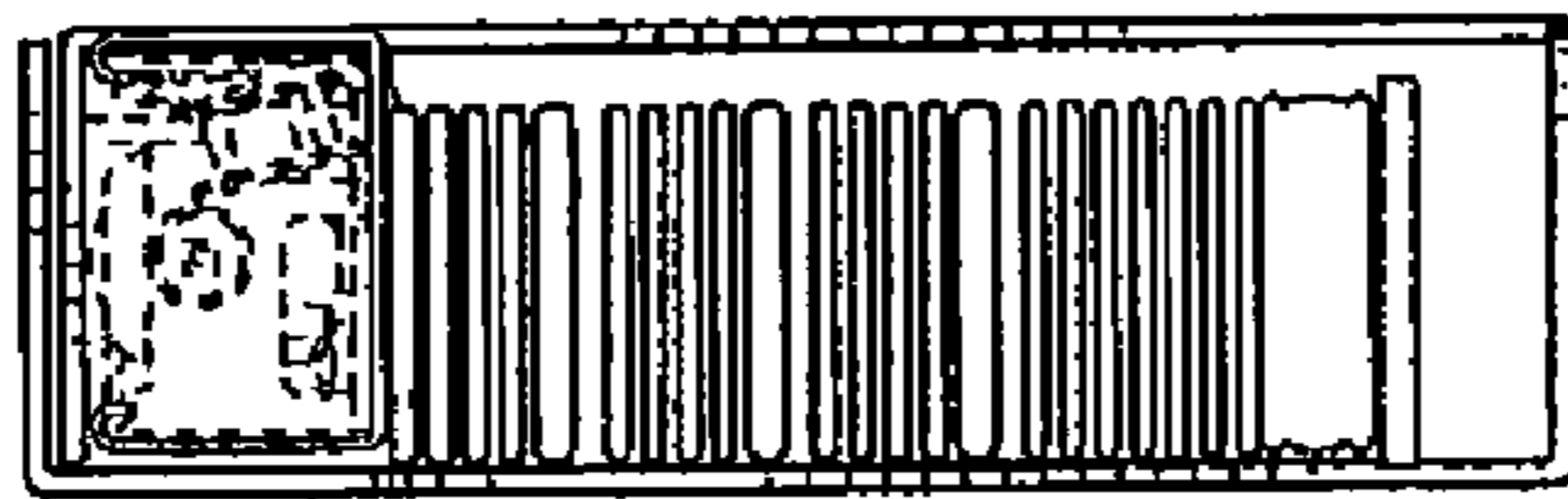


FIG. 6

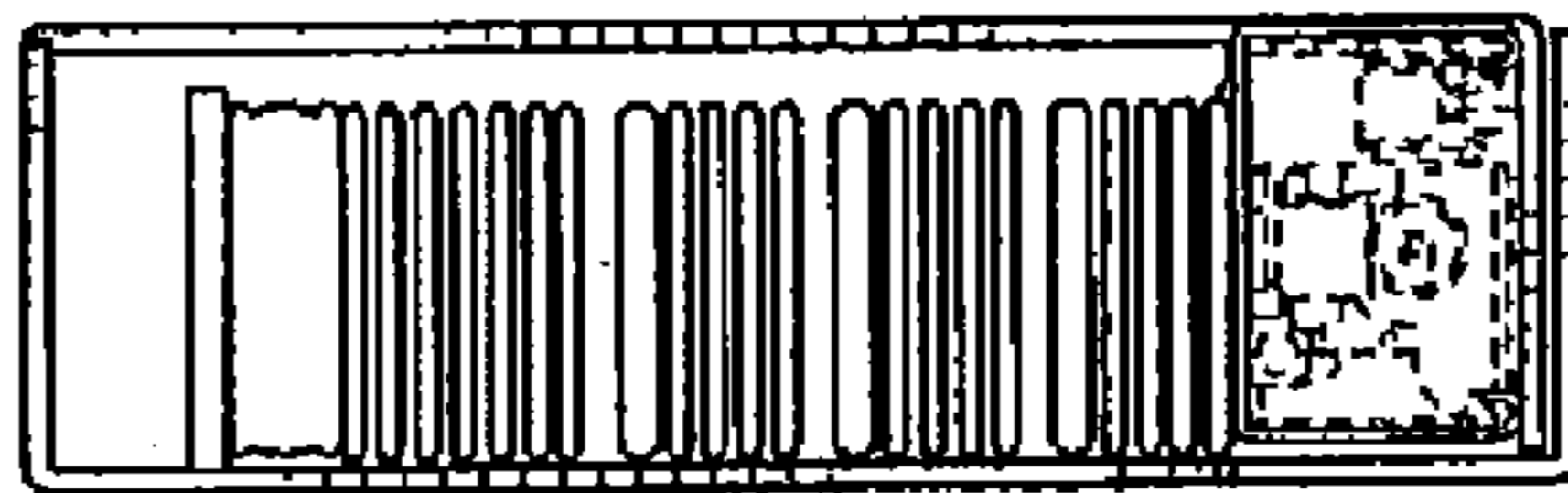


FIG. 7