



US00D640566S

(12) **United States Design Patent**  
**Norlin et al.**

(10) **Patent No.:** **US D640,566 S**

(45) **Date of Patent:** **\*\* Jun. 28, 2011**

(54) **PACKAGE**

(75) Inventors: **Carl-Olof Bertil Norlin**, Strovelstorp  
(SE); **Thomas Karl Andersson**, Morarp  
(SE)

(73) Assignee: **Regath HB**, Helsingborg (SE)

(\*\*) Term: **14 Years**

(21) Appl. No.: **29/380,771**

(22) Filed: **Dec. 10, 2010**

(30) **Foreign Application Priority Data**

Jun. 16, 2010 (EM) ..... 001219729-1-2

(51) **LOC (9) Cl.** ..... **09-05**

(52) **U.S. Cl.** ..... **D9/707**

(58) **Field of Classification Search** ..... D9/702-703,  
D9/707, 709, 711, 713, 430-431, 761, 414-417,  
D9/695-696, 737, 419, 424-426, 734; 426/106,  
426/115, 119, 120, 122, 132, 134, 108, 112;  
222/82, 92, 107, 527, 129; 206/229, 484,  
206/527, 271-273, 390, 438, 449, 820; D24/118,  
D24/207; 383/207, 200, 63, 209; 229/87.01,  
229/87.05, 87.03, 87.14, 87.08

See application file for complete search history.

(56) **References Cited**

**U.S. PATENT DOCUMENTS**

D394,605 S \* 5/1998 Skiba et al. .... D9/709  
D489,606 S \* 5/2004 Lofman ..... D9/707  
D496,263 S \* 9/2004 Chen ..... D9/703  
7,371,008 B2 \* 5/2008 Bonenfant ..... 383/5  
D580,784 S \* 11/2008 Kila ..... D9/709  
D602,376 S \* 10/2009 Coulson ..... D9/707

D606,876 S \* 12/2009 Grullon ..... D9/643  
D619,478 S \* 7/2010 Drewnowski et al. .... D9/707  
D630,522 S \* 1/2011 Harvey et al. .... D9/707

\* cited by examiner

*Primary Examiner* — Caron D Veynar

*Assistant Examiner* — Abraham Bahta

(74) *Attorney, Agent, or Firm* — Ladas & Parry LLP

(57) **CLAIM**

The ornamental design for a package, as shown and described.

**DESCRIPTION**

FIG. 1 is a front, top and left side perspective view of a first embodiment of the package showing our new design;

FIG. 2 is a bottom perspective view thereof;

FIG. 3 is a top plan view thereof;

FIG. 4 is a bottom plan view thereof;

FIG. 5 is a side elevational view thereof, the opposite side view being the same;

FIG. 6 is right end view thereof;

FIG. 7 is a left end view thereof;

FIG. 8 is a front, top and left side perspective view of a second embodiment of the package;

FIG. 9 is a bottom perspective view thereof;

FIG. 10 is a top plan view thereof;

FIG. 11 is a bottom plan view thereof;

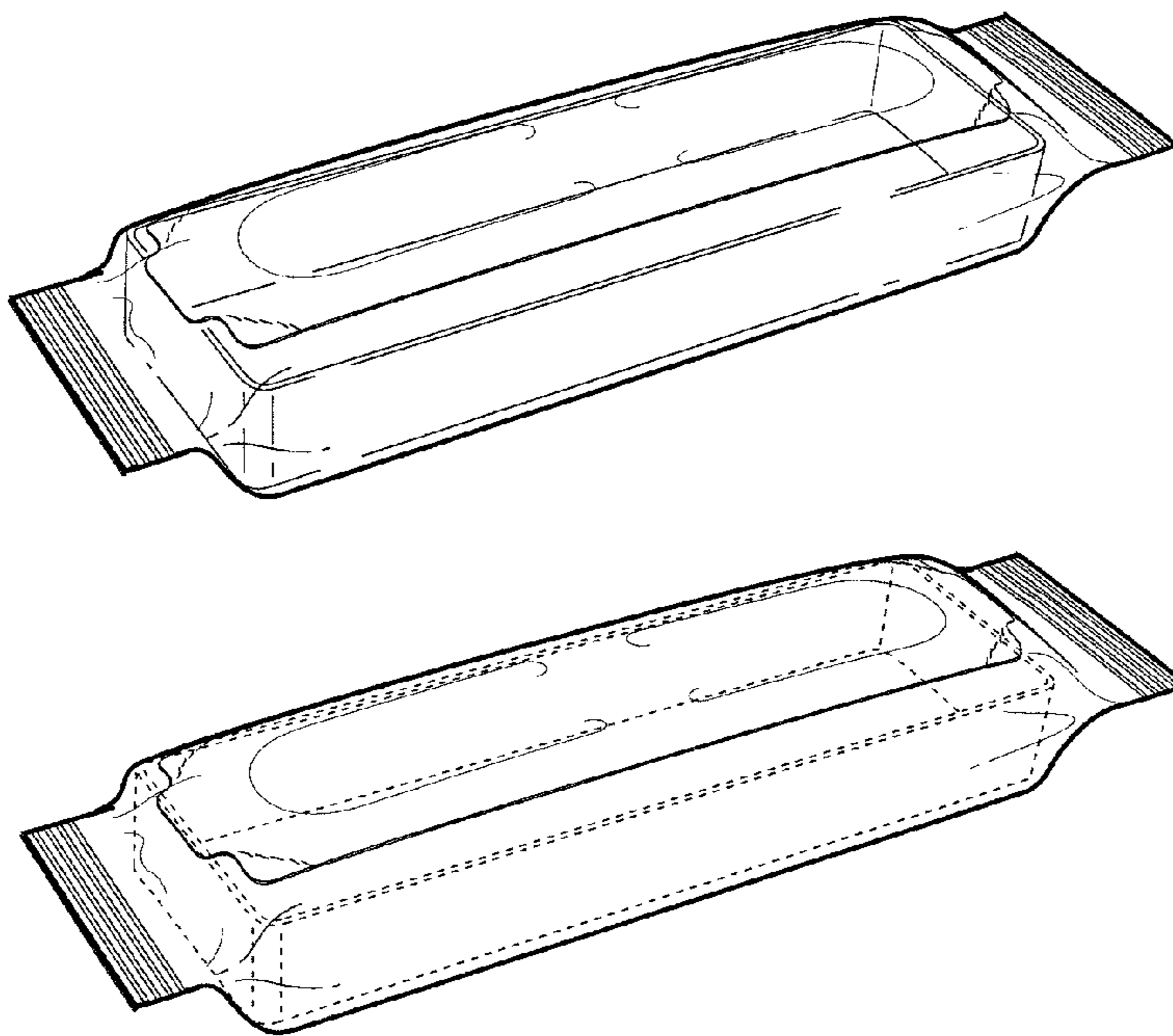
FIG. 12 is a side elevational view, the opposite side being the same;

FIG. 13 is a right end view thereof; and,

FIG. 14 is left end view thereof.

The broken lines in the drawings depict environmental subject matter only and form no part of the claimed design.

**1 Claim, 6 Drawing Sheets**



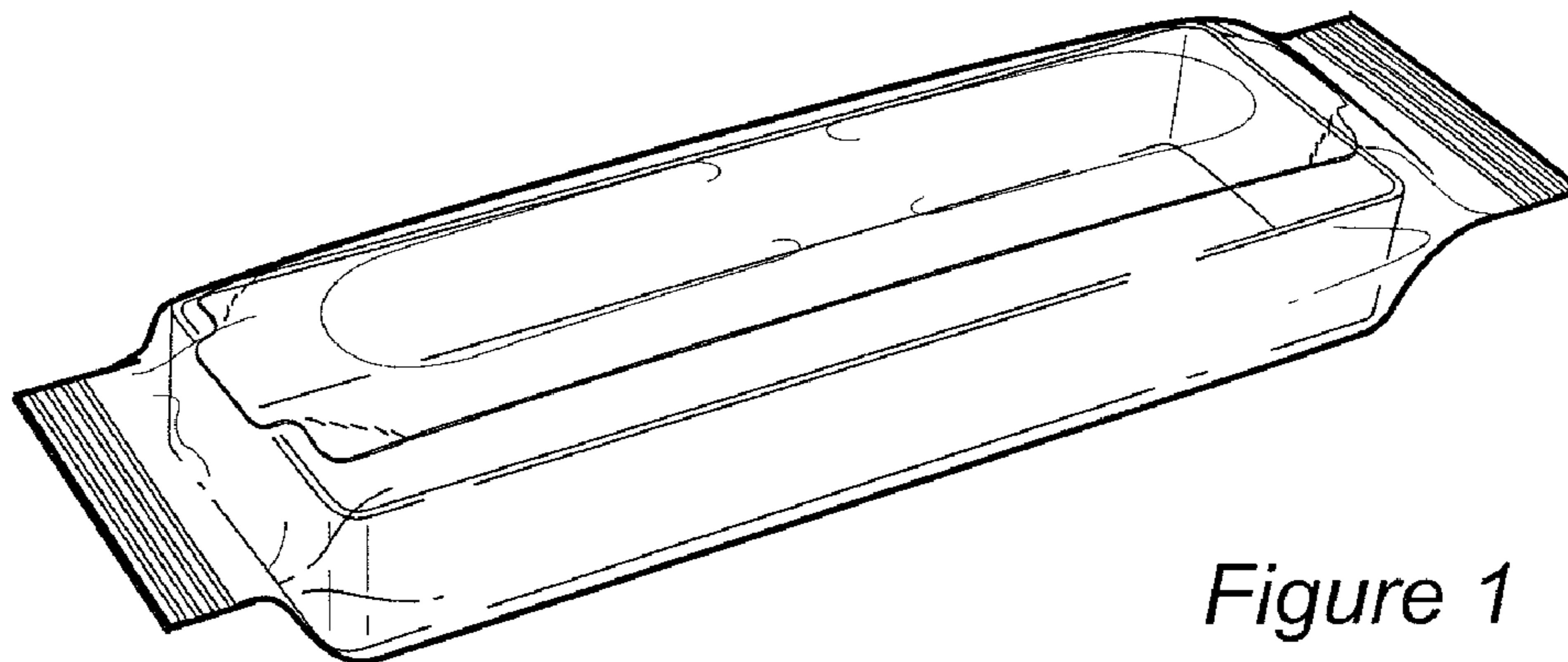


Figure 1

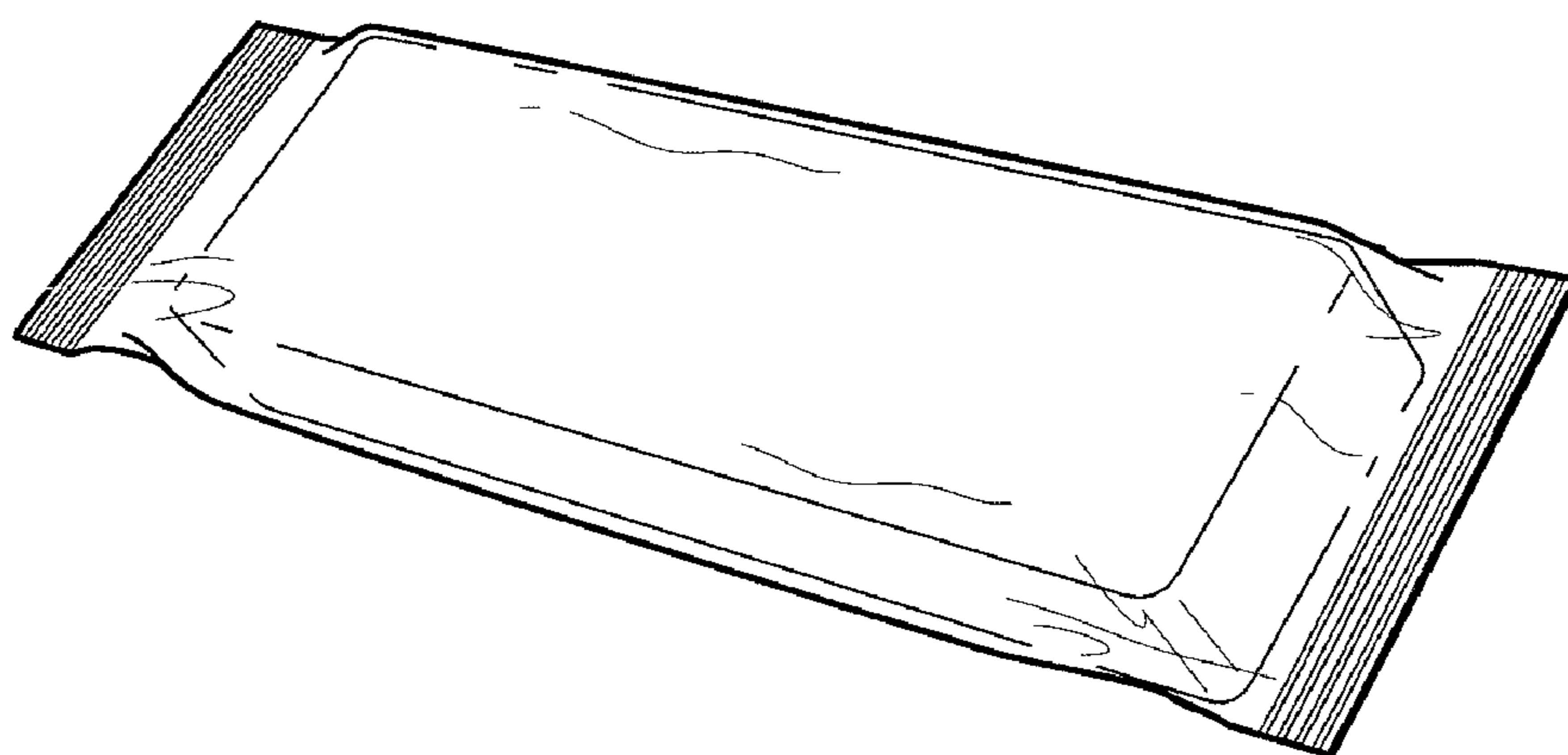


Figure 2

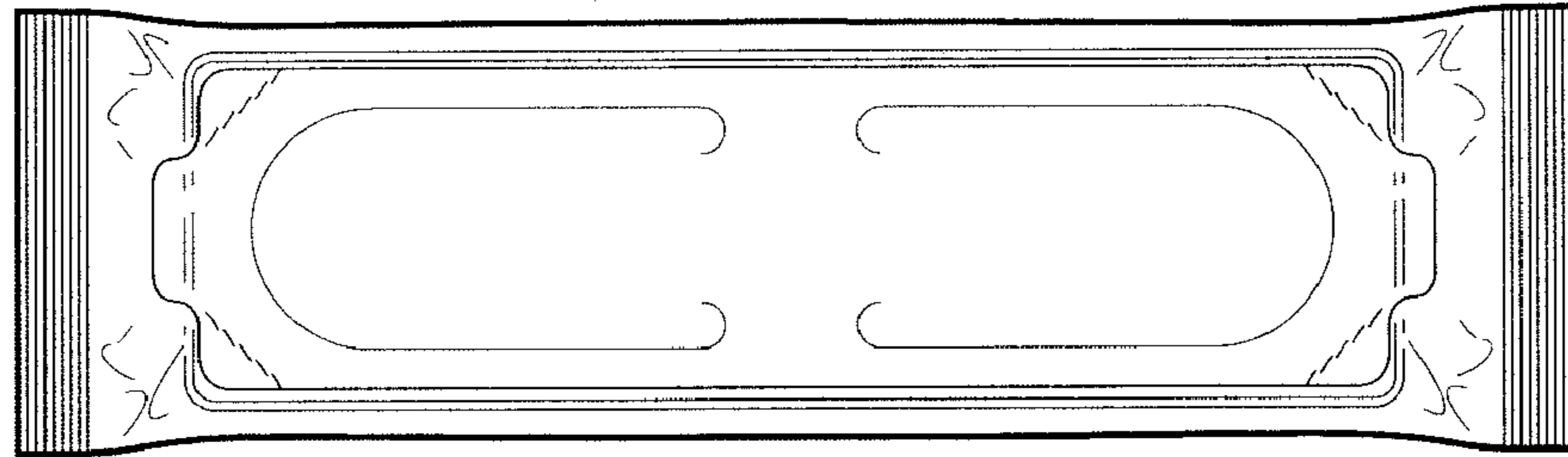


Figure 3

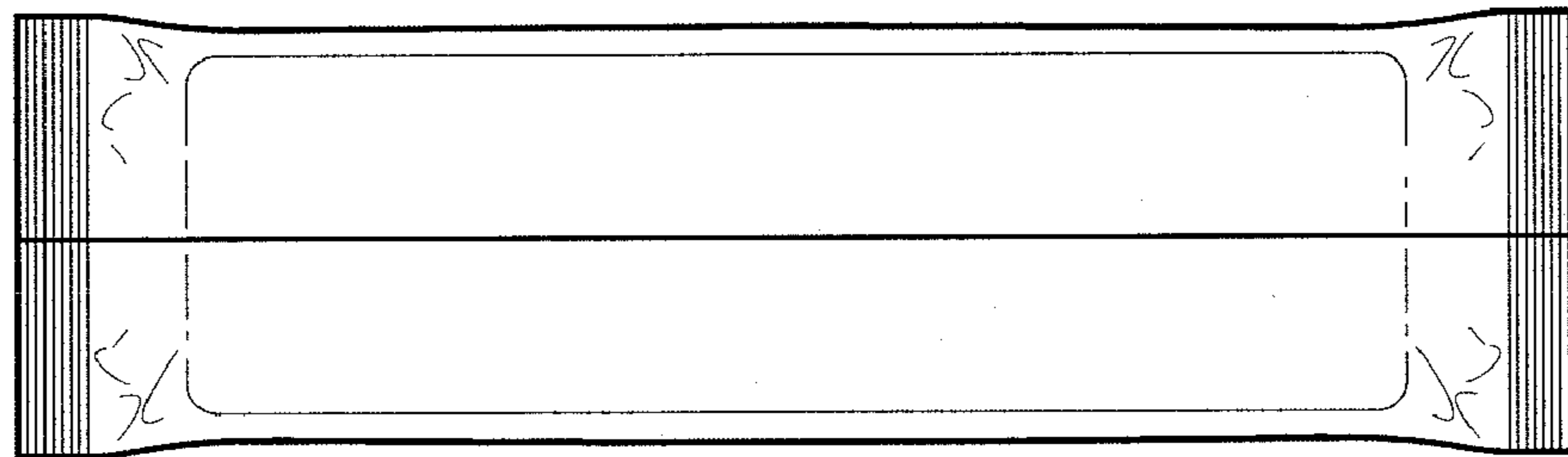


Figure 4

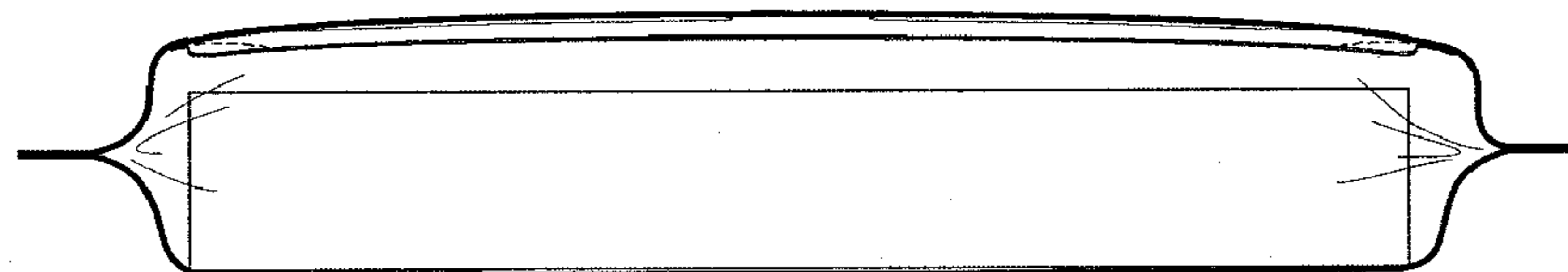
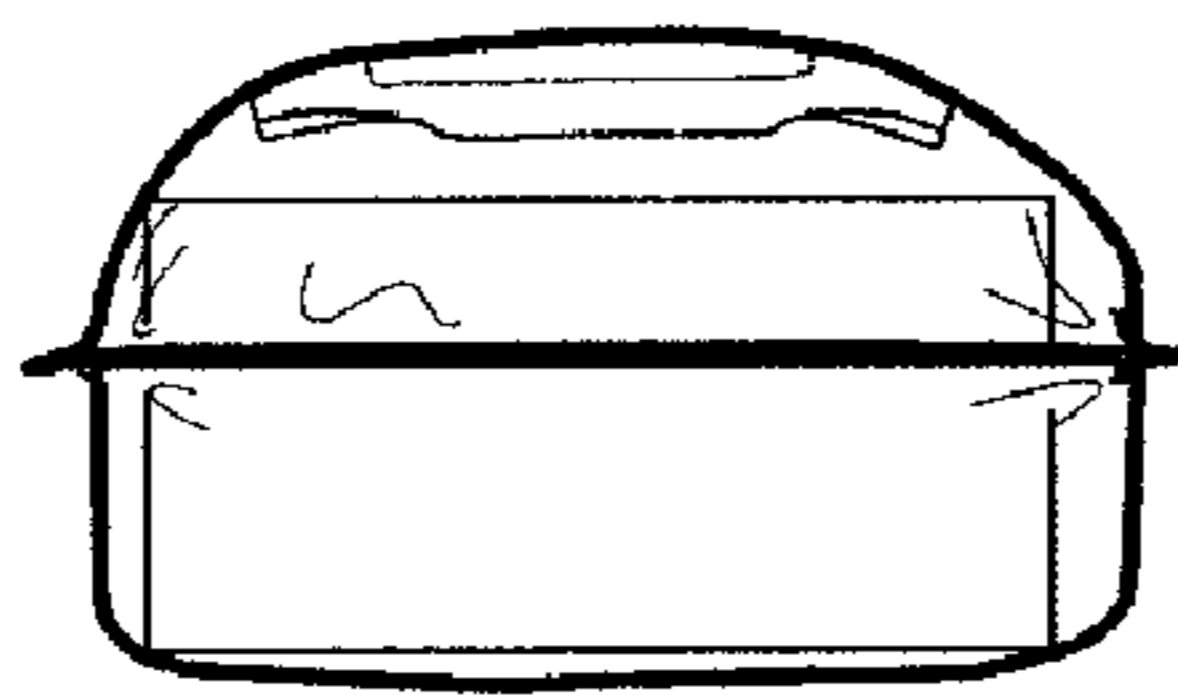
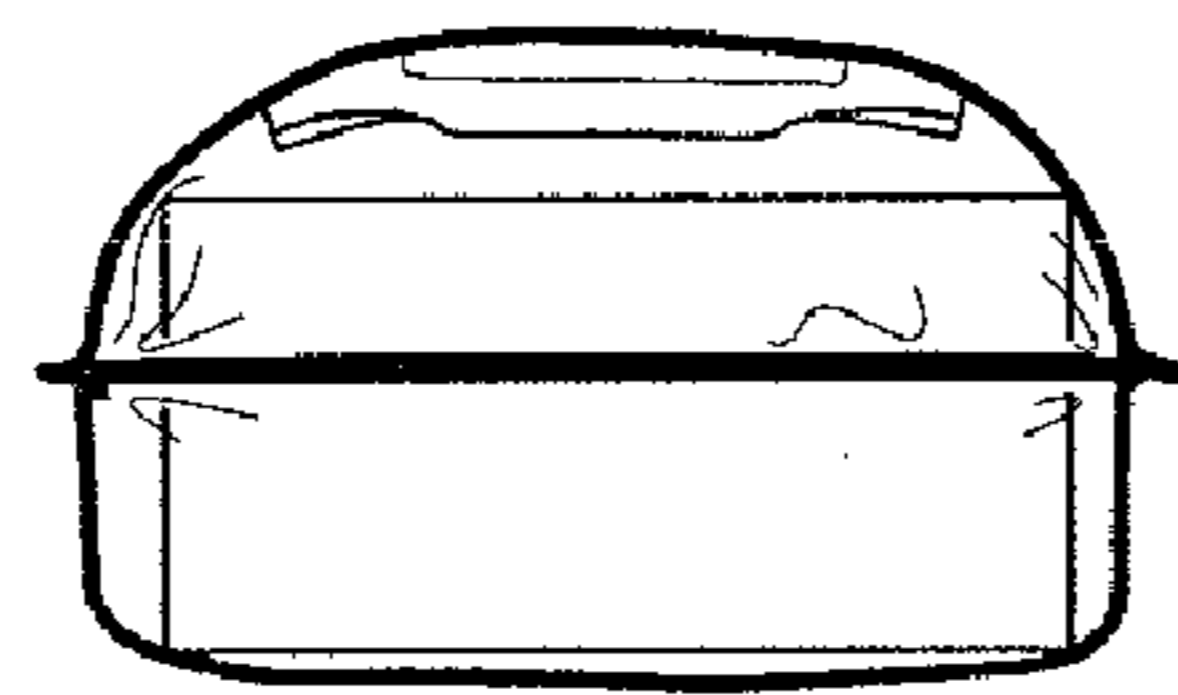


Figure 5



*Figure 6*



*Figure 7*

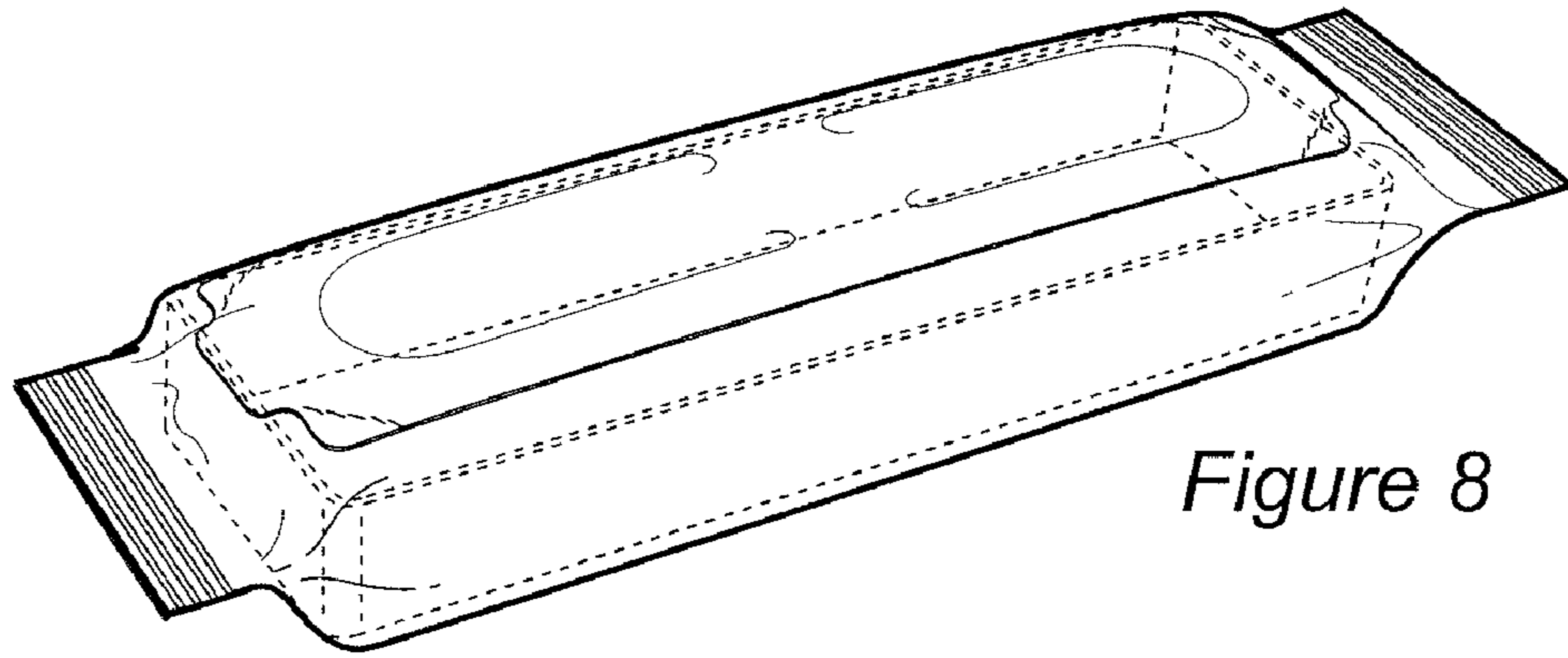


Figure 8

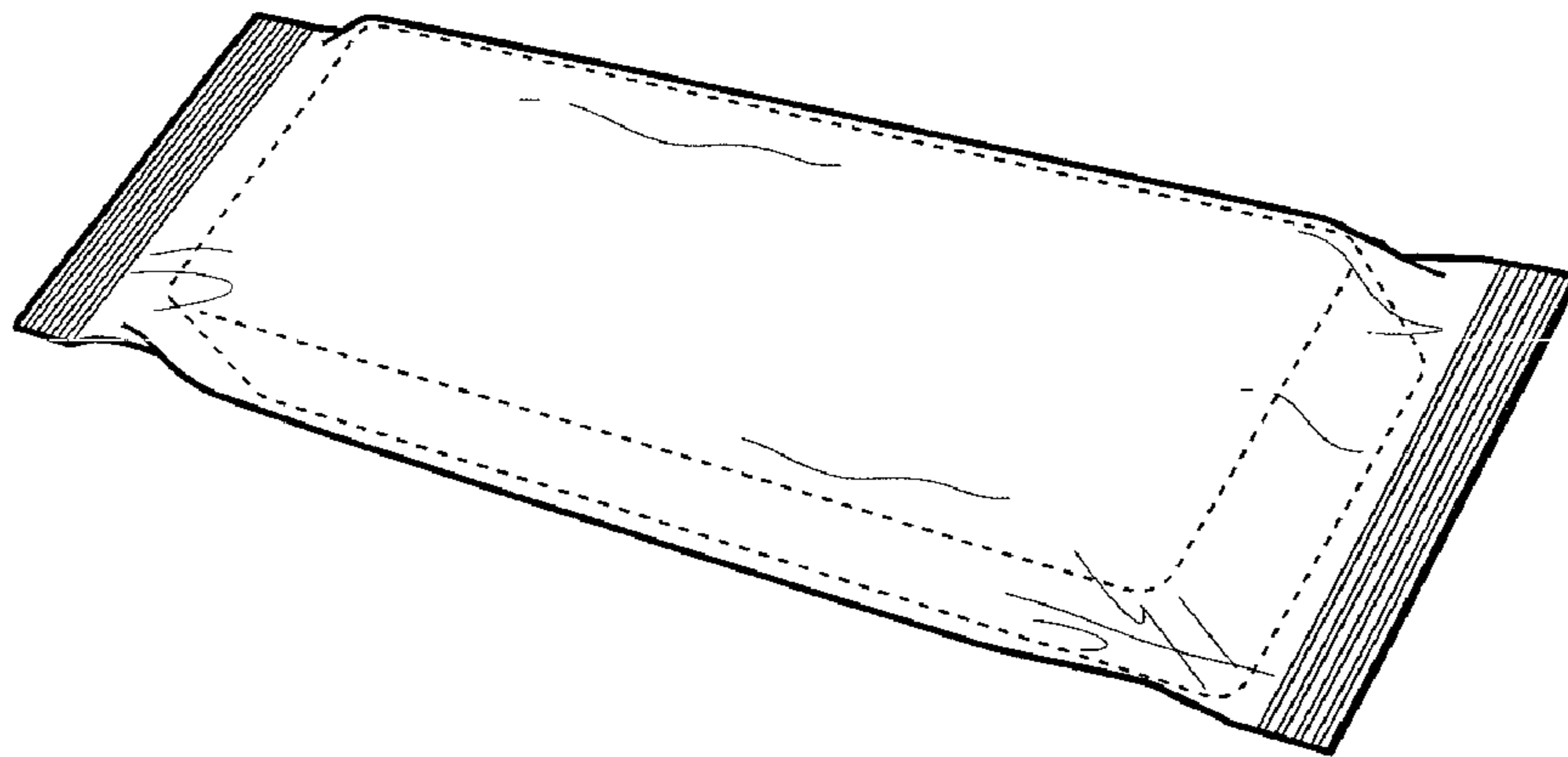


Figure 9

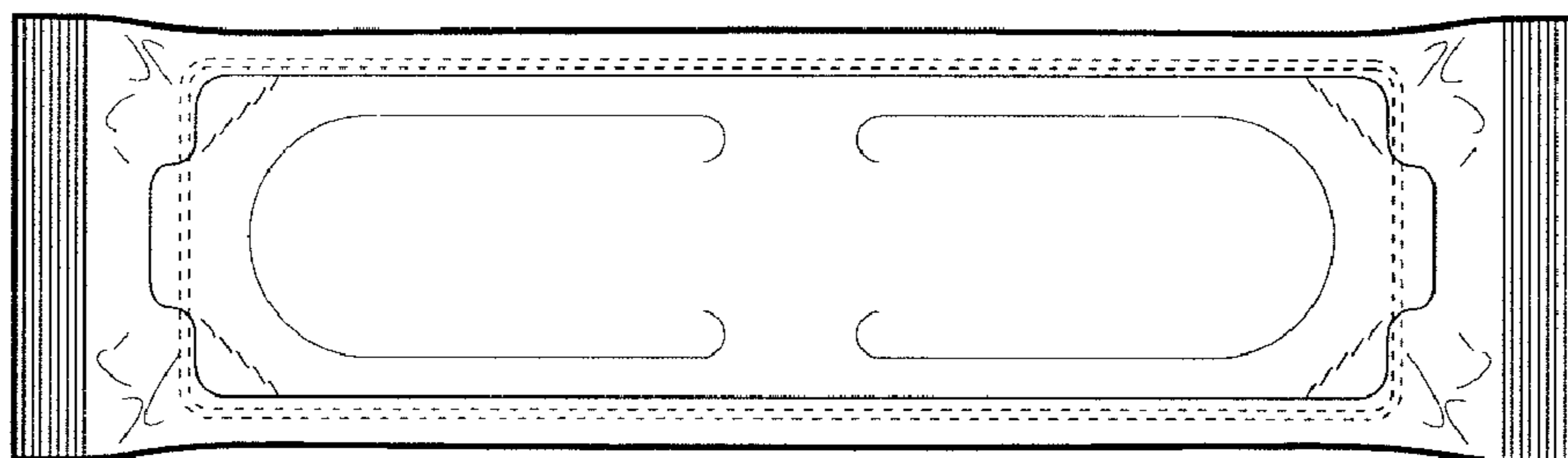


Figure 10

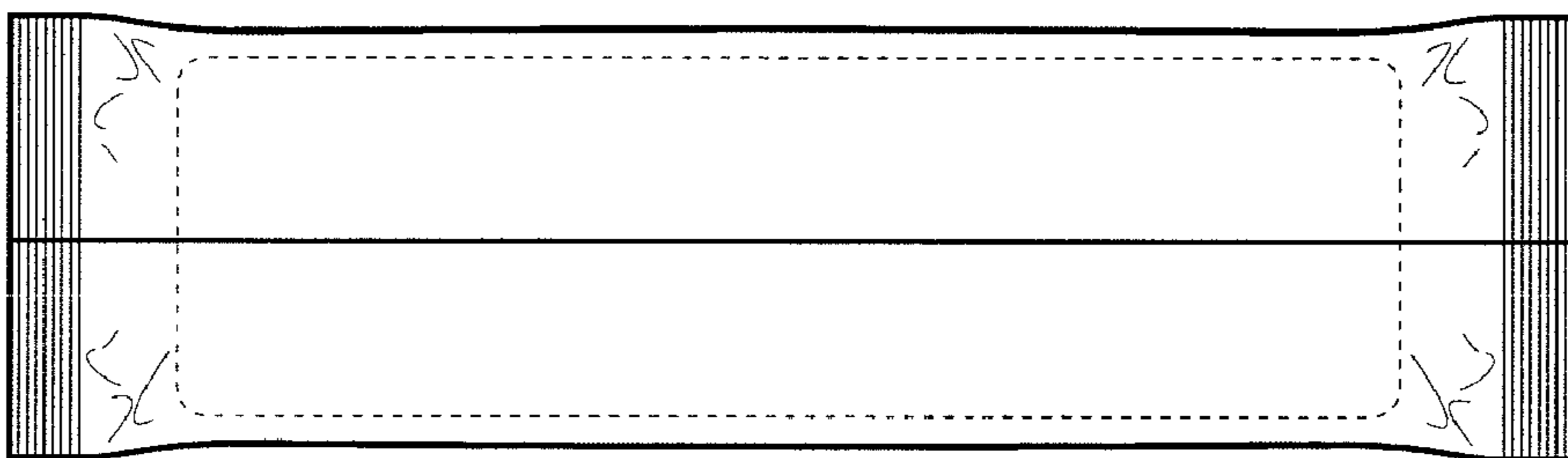


Figure 11

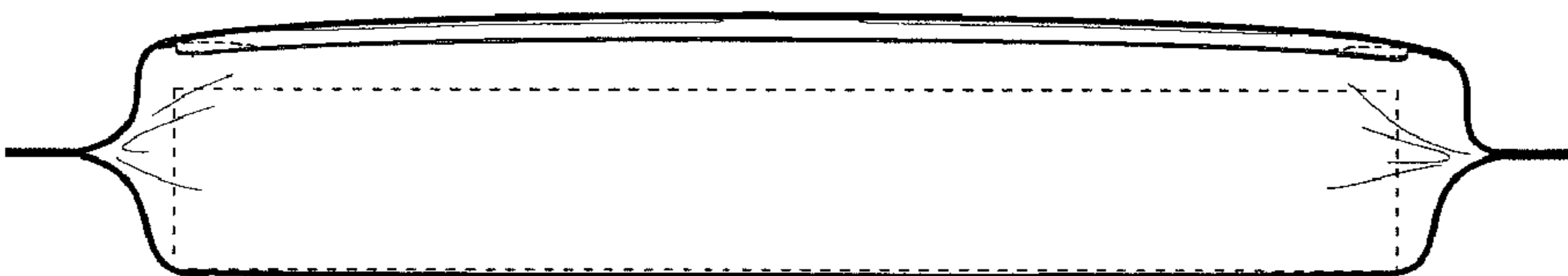
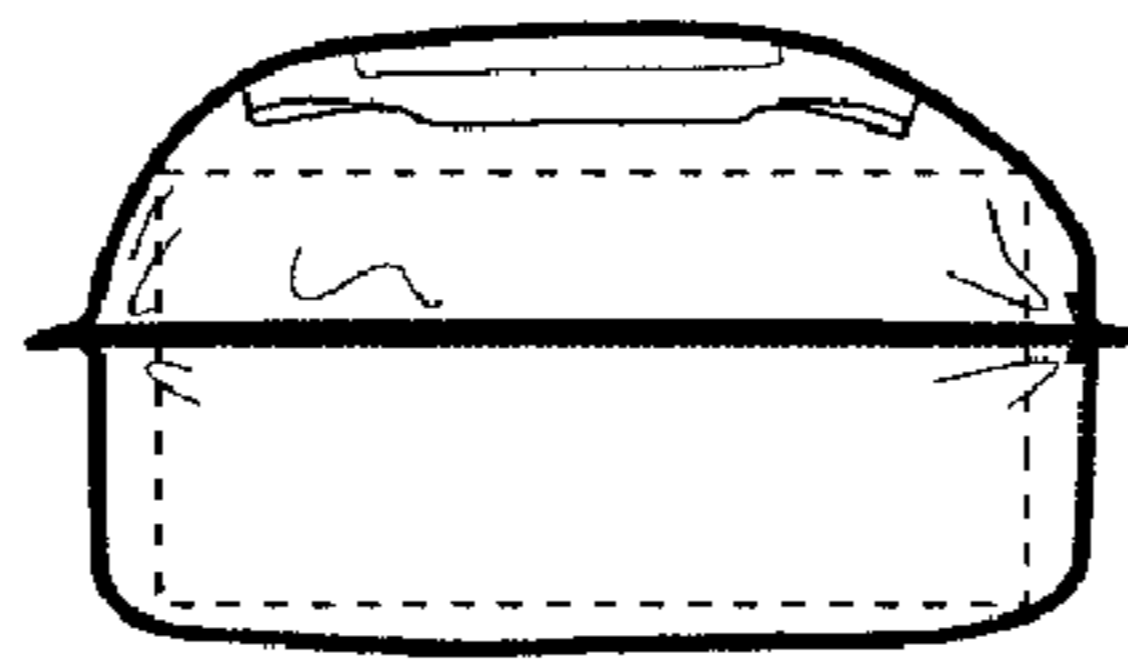
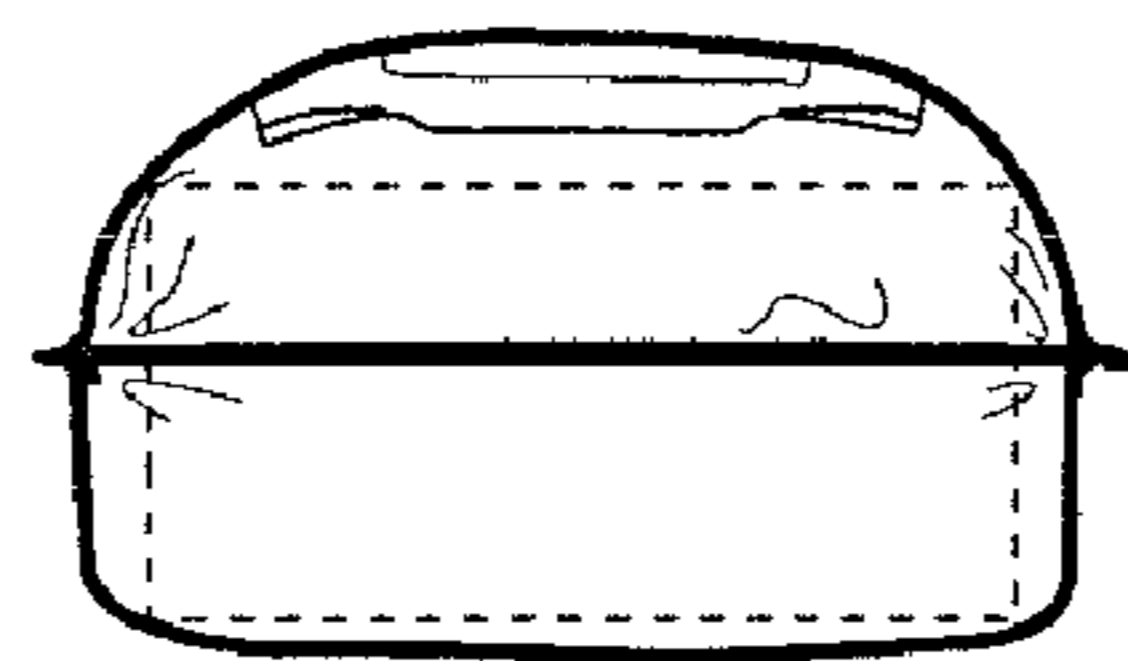


Figure 12



*Figure 13*



*Figure 14*