



US00D640553S

(12) **United States Design Patent**  
**Eiteljorg et al.**

(10) **Patent No.:** **US D640,553 S**  
(45) **Date of Patent:** **\*\* Jun. 28, 2011**

(54) **DISPENSING CAP**

(76) Inventors: **Burke Eiteljorg**, Newport Beach, CA  
(US); **Anders Eisner**, Beverly Hills, CA  
(US)

(\*\*) Term: **14 Years**

(21) Appl. No.: **29/359,511**

(22) Filed: **Apr. 12, 2010**

(51) **LOC (9) Cl.** ..... **09-07**

(52) **U.S. Cl.** ..... **D9/443**

(58) **Field of Classification Search** ..... 215/305,  
215/306, 322; 220/260, 375, 810, 811; 222/492,  
222/494, 521; D9/423, 438, 443, 446, 447,  
D9/449, 450, 453, 529, 560, 738; D7/392.1  
See application file for complete search history.

(56) **References Cited**

**U.S. PATENT DOCUMENTS**

D342,448 S *	12/1993	Ritcey .....	D9/443
D351,793 S *	10/1994	Stoller .....	D9/443
D404,646 S *	1/1999	Black et al. ....	D9/446
6,571,994 B1	6/2003	Adams et al.	
D513,474 S *	1/2006	Choi .....	D9/449
D575,580 S *	8/2008	Germany .....	D7/392.1

\* cited by examiner

*Primary Examiner* — Susan Bennett Hattan

(74) *Attorney, Agent, or Firm* — K&L Gates LLP; Louis C. Cullman; Brian J. Novak

(57) **CLAIM**

The ornamental design for a dispensing cap, as shown and described.

**DESCRIPTION**

FIG. 1 is a perspective view of our new dispensing cap design. FIG. 2 is a bottom perspective view of the dispensing cap shown in FIG. 1.

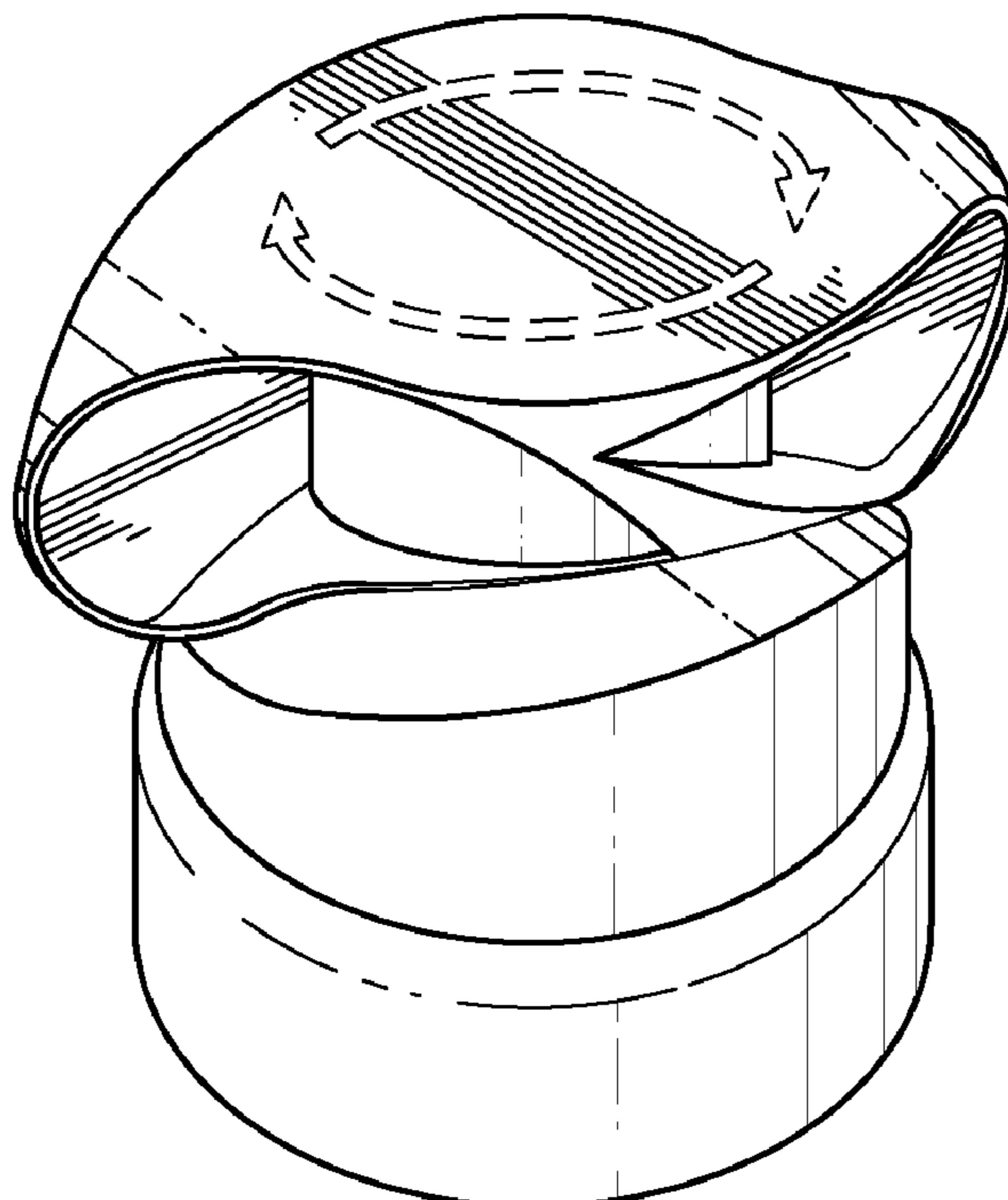
FIG. 3 is a front view of the dispensing cap shown in FIG. 1. FIG. 4 is a back view of the dispensing cap shown in FIG. 1. FIG. 5 is a first side view of the dispensing cap shown in FIG. 1.

FIG. 6 is a second side view of the dispensing cap shown in FIG. 1.

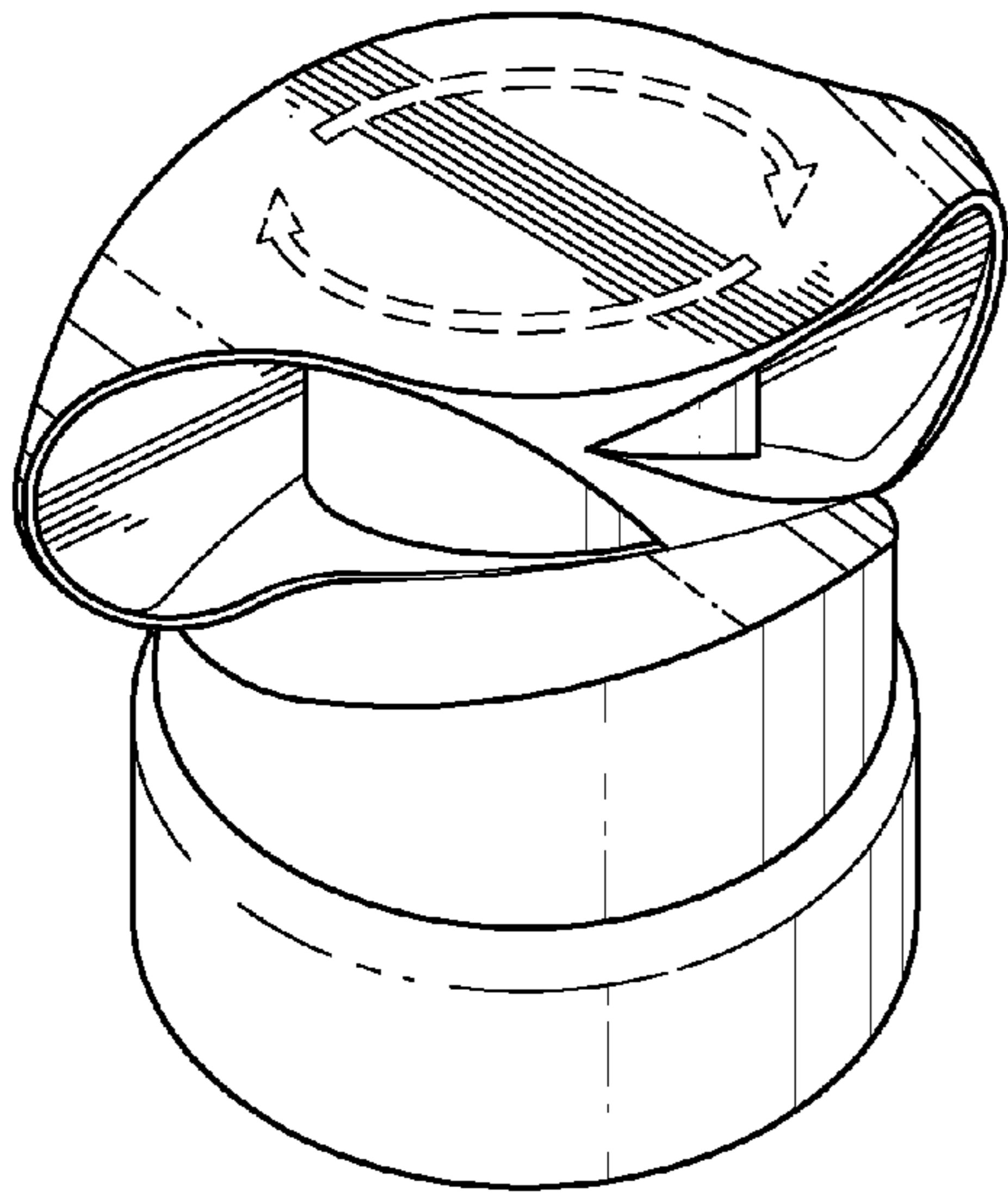
FIG. 7 is a top view of the dispensing cap shown in FIG. 1; and,

FIG. 8 is a bottom view of the dispensing cap shown in FIG. 1.

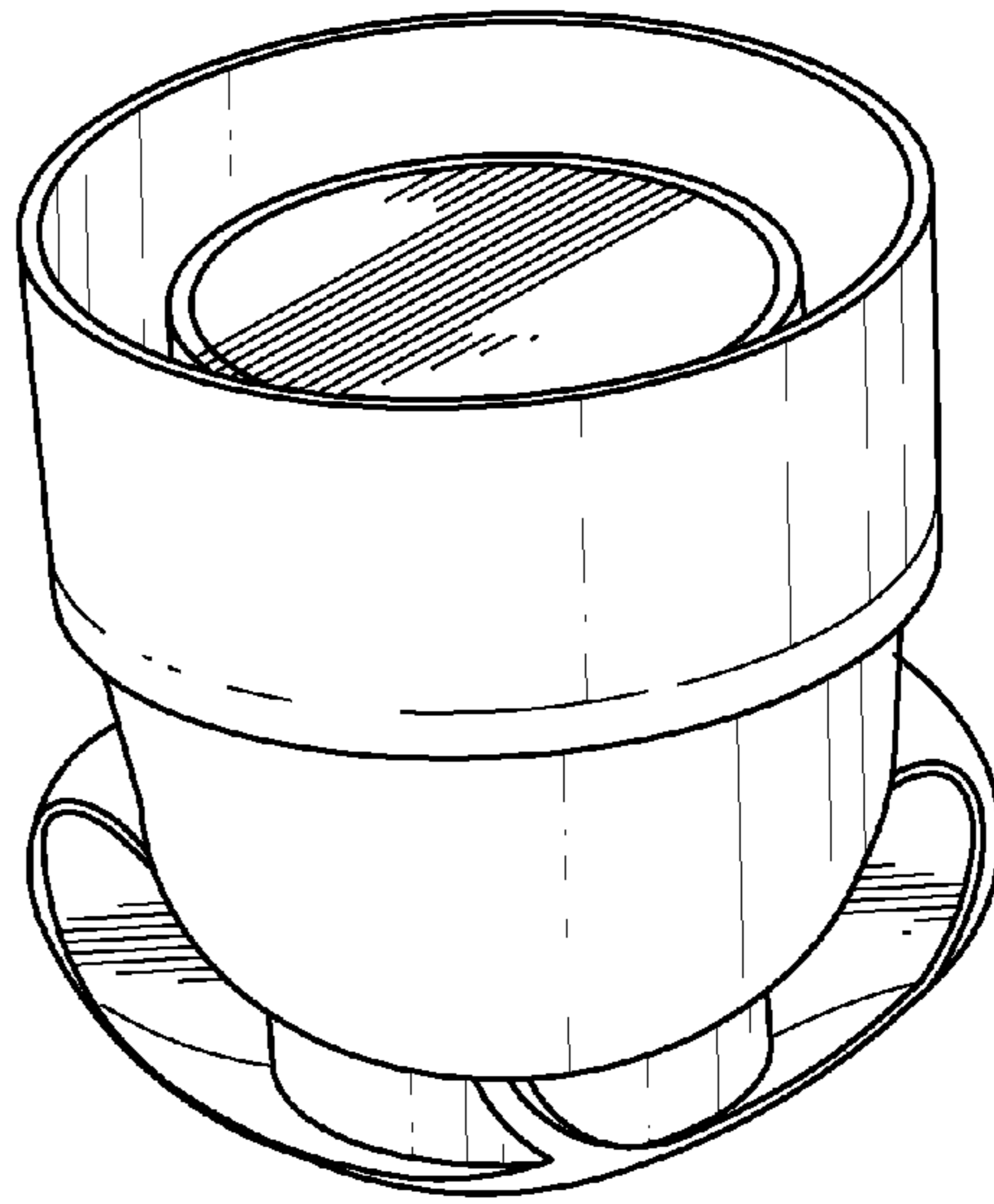
**1 Claim, 2 Drawing Sheets**



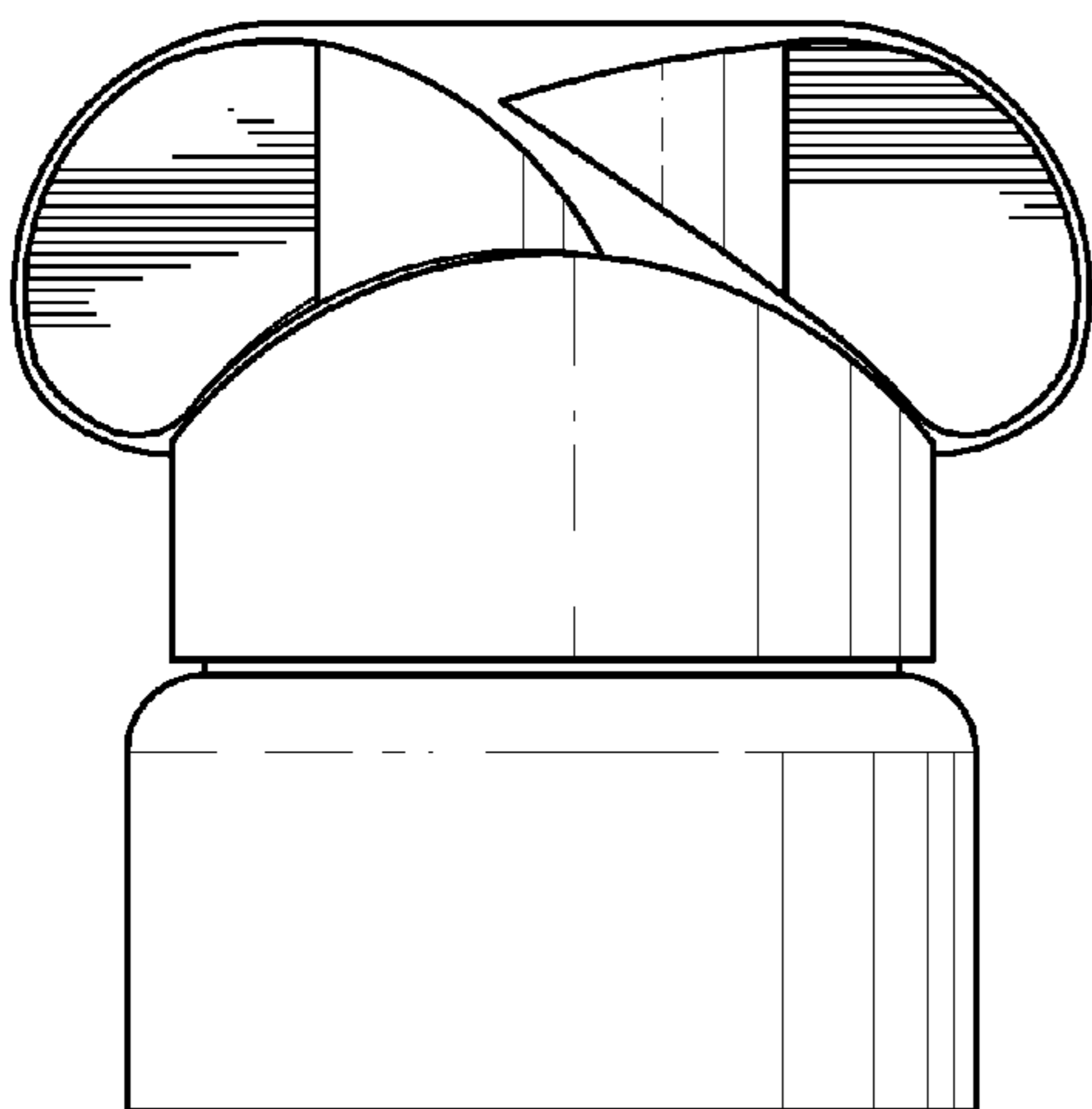
*FIG. 1*



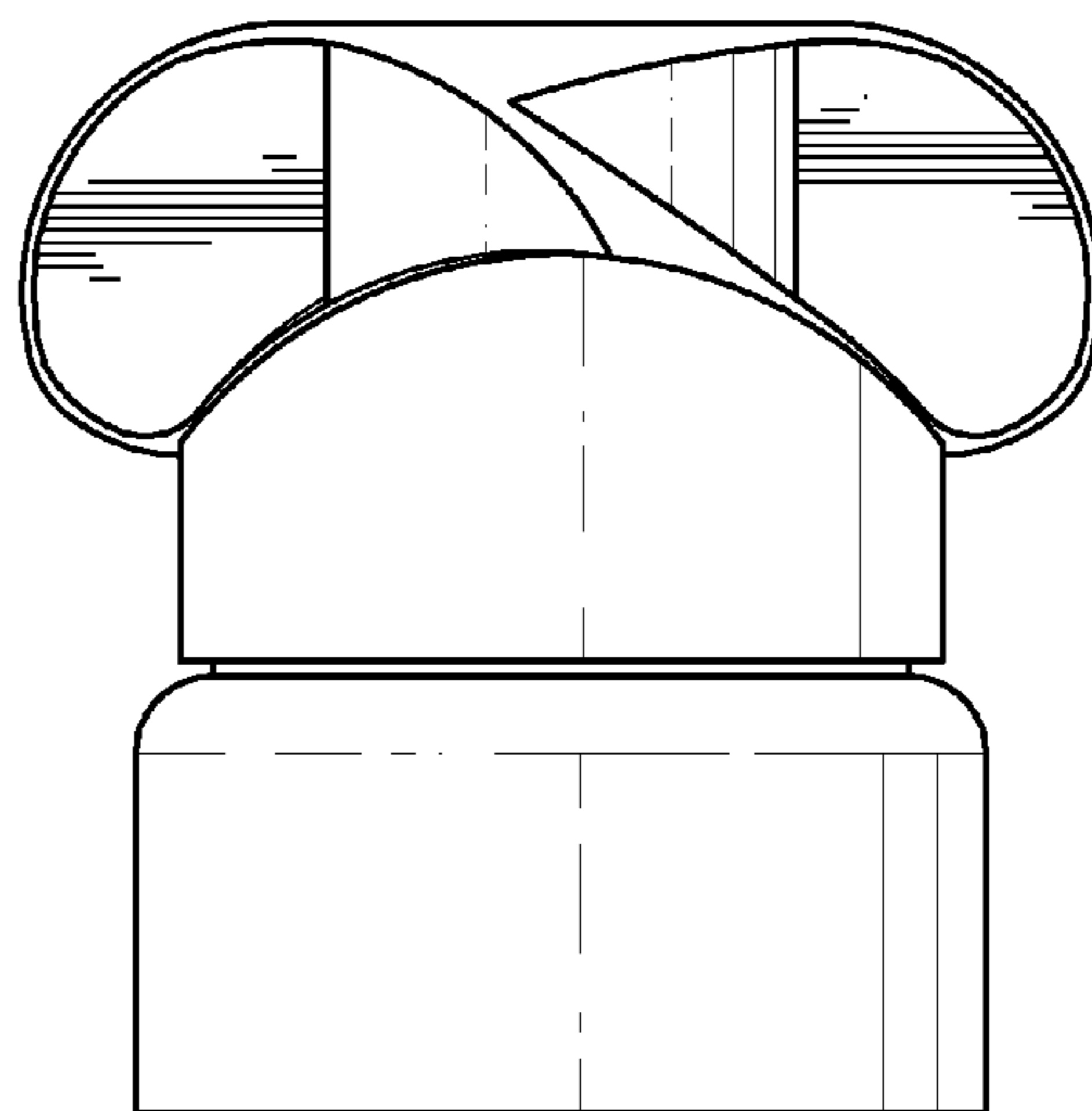
*FIG. 2*



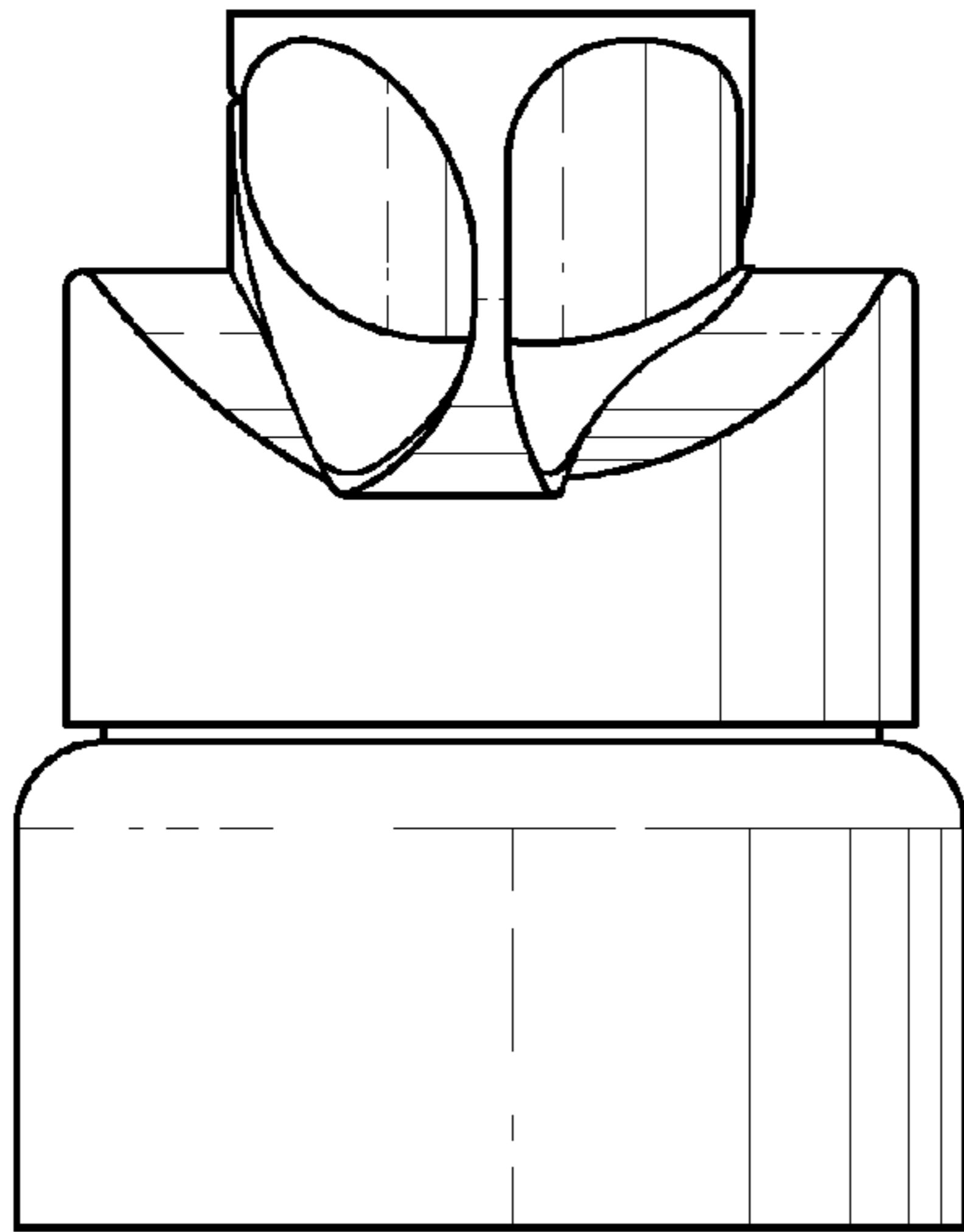
*FIG. 3*



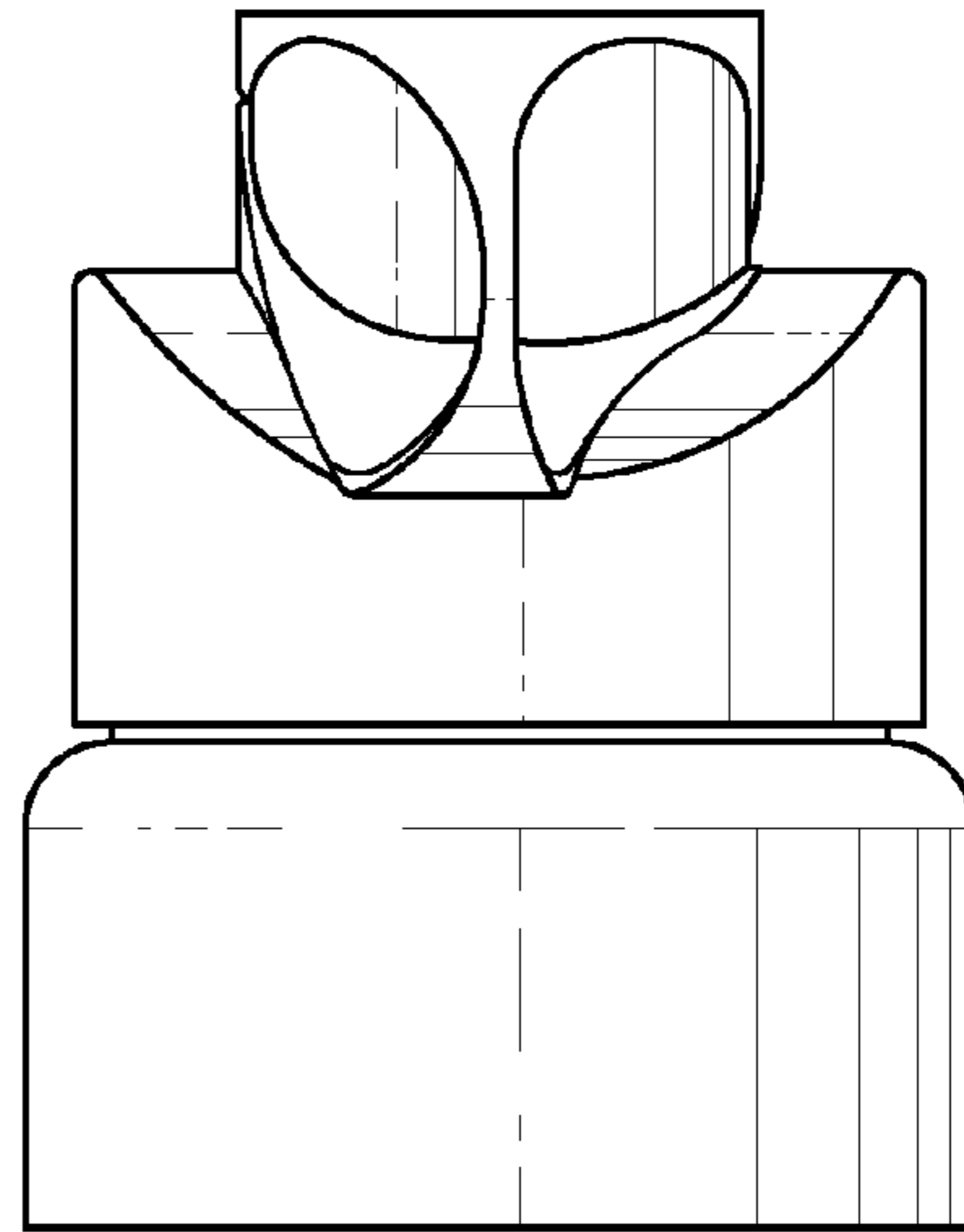
*FIG. 4*



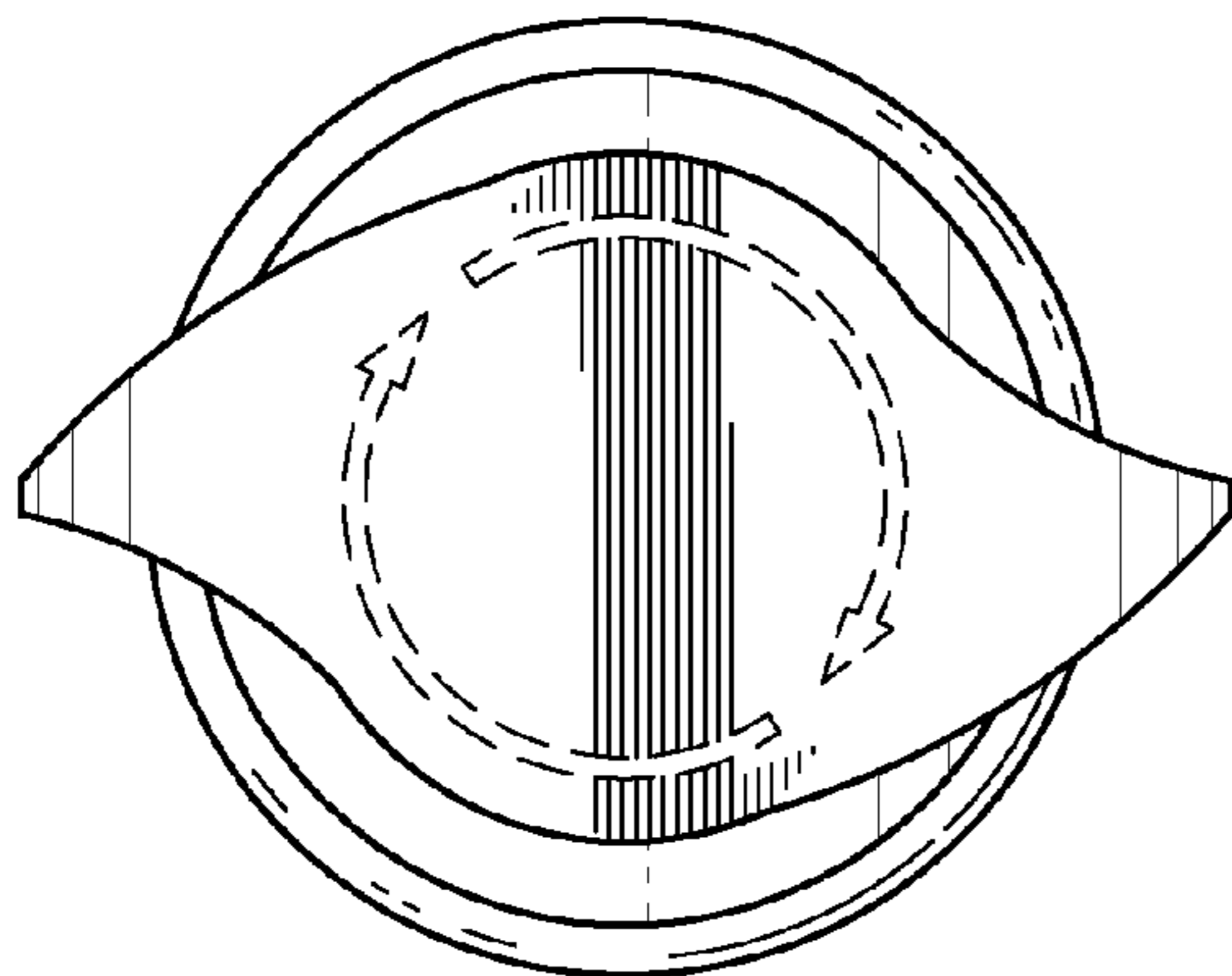
*FIG. 5*



*FIG. 6*



*FIG. 7*



*FIG. 8*

