



US00D640550S

(12) **United States Design Patent**
Snedden et al.

(10) **Patent No.:** **US D640,550 S**

(45) **Date of Patent:** **** Jun. 28, 2011**

(54) **FOOD CONTAINER**

(75) Inventors: **Craig R. Snedden**, Culver City, CA (US); **Gandhi B. Sifuentes**, Whittier, CA (US); **Cesar E. Ramirez**, Van Nuys, CA (US)

(73) Assignee: **Direct Pack, Inc.**, Sun Valley, CA (US)

(**) Term: **14 Years**

(21) Appl. No.: **29/354,878**

(22) Filed: **Jan. 29, 2010**

(51) **LOC (9) Cl.** **09-03**

(52) **U.S. Cl.** **D9/431; D9/425**

(58) **Field of Classification Search** D9/414, D9/419, 424, 425, 430, 431, 432, 435, 761; D7/538, 549, 550.1, 601-603, 605, 629; 229/105, 117.09, 117.26, 189, 406, 407, 229/902, 905, 915.1; 220/23.4, 23.6, 266, 220/281, 315, 318, 500, 659, 669, 674, 675, 220/696, 752, 760, 790, 793, DIG. 12, FOR. 117; 206/499, 508, 557; D3/276
See application file for complete search history.

D562,083 S	2/2008	Lown et al.	
D567,596 S	4/2008	Chiang et al.	
D568,693 S	5/2008	Furlong	
D568,694 S	5/2008	Furlong	
D570,650 S	6/2008	Vovan	
D572,086 S	7/2008	Matsumoto et al.	
D573,846 S	7/2008	Moghavem	
D574,671 S	8/2008	Chiang et al.	
D575,113 S	8/2008	Chiang et al.	
D575,114 S	8/2008	Moghavem	
D583,658 S *	12/2008	Follansbee et al.	D9/425
D589,346 S	3/2009	Hall	
D600,111 S	9/2009	Gerulski et al.	
D604,605 S	11/2009	Chung et al.	
D605,502 S	12/2009	Honda et al.	
D606,402 S	12/2009	Diss	
D606,403 S	12/2009	Diss	
D606,404 S	12/2009	Diss	
D606,405 S	12/2009	Takata et al.	
D606,406 S	12/2009	Takata et al.	
D631,339 S *	1/2011	Golota et al.	D9/425

* cited by examiner

Primary Examiner — Thomas Johannes

(74) *Attorney, Agent, or Firm* — Frost Brown Todd LLC

(57) **CLAIM**

The ornamental design for a food container, as shown and described.

(56) **References Cited**

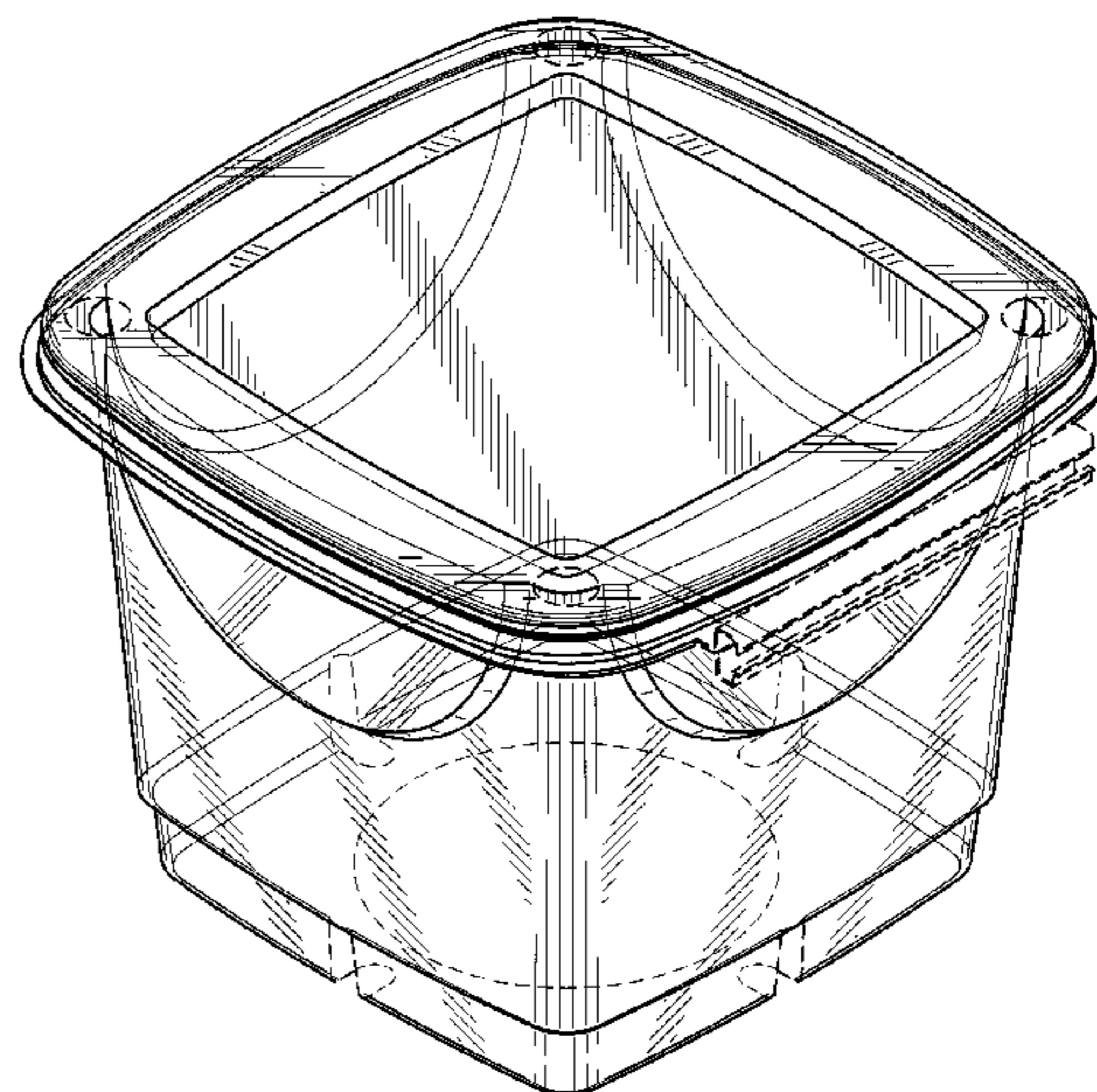
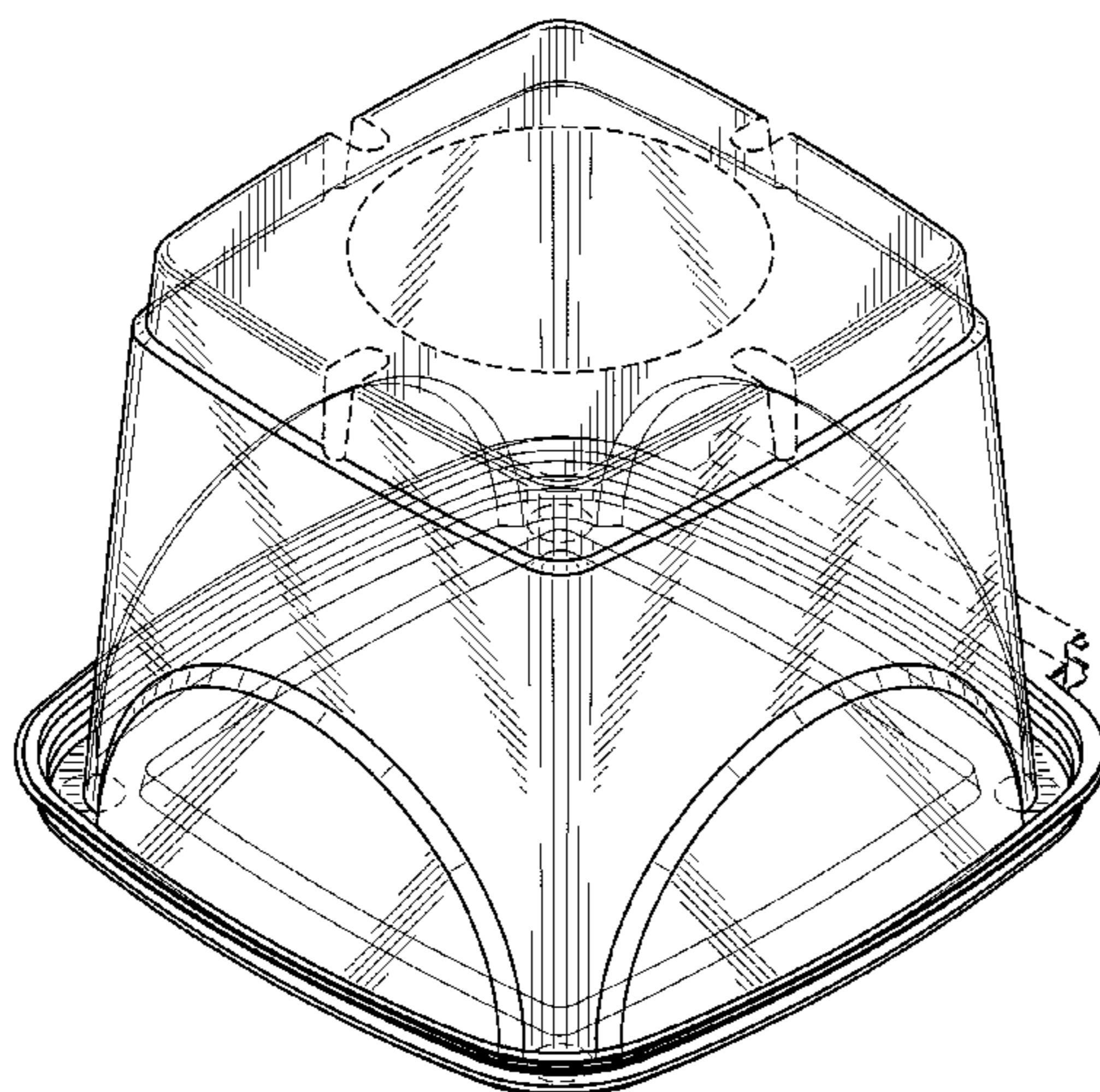
U.S. PATENT DOCUMENTS

D331,334 S	12/1992	Hollington
D501,403 S	2/2005	Wilcock et al.
D502,096 S	2/2005	Wilcock et al.
D503,336 S	3/2005	Tucker et al.
D512,278 S	12/2005	Schultz et al.
D512,606 S	12/2005	Lown
D514,439 S	2/2006	Snedden et al.
D514,440 S	2/2006	Snedden et al.
D514,929 S	2/2006	Snedden et al.
D518,958 S	4/2006	Yourist
D548,069 S	8/2007	Sagel et al.
D548,587 S	8/2007	DuVal et al.
D555,982 S	11/2007	Tucker et al.
D559,628 S	1/2008	Chiang et al.

DESCRIPTION

FIG. 1 is a top perspective view of a food container, showing our new design;
FIG. 2 is a bottom perspective view thereof;
FIG. 3 is a front elevation view thereof;
FIG. 4 is a back elevation view thereof;
FIG. 5 is a right elevation view thereof;
FIG. 6 is a left elevation view thereof;
FIG. 7 is a top plan view thereof; and,
FIG. 8 is a bottom plan view thereof.
The openings and hinge shown in broken lines are unclaimed environment, and form no part of the claimed design.

1 Claim, 6 Drawing Sheets



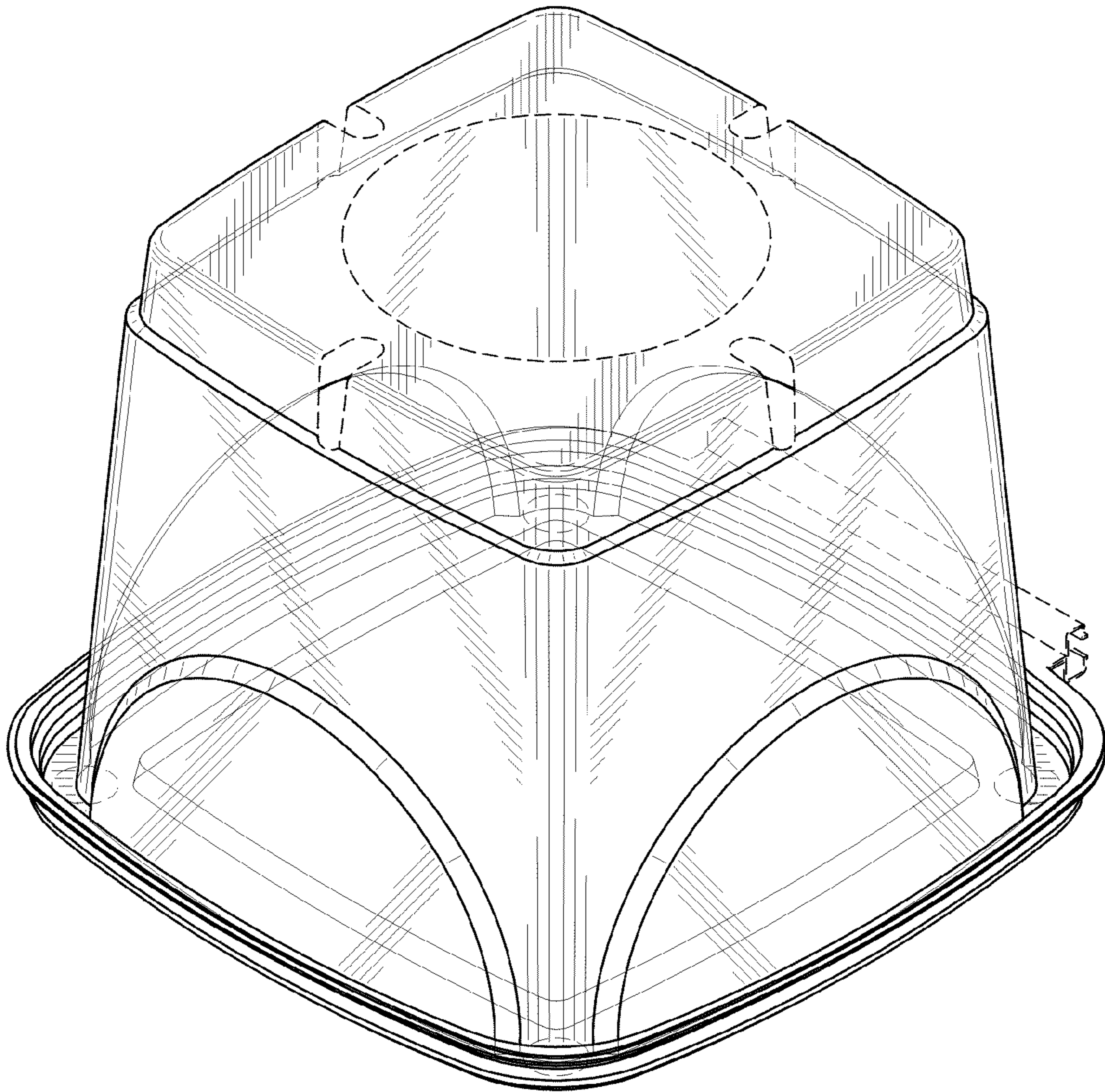


FIG. 1

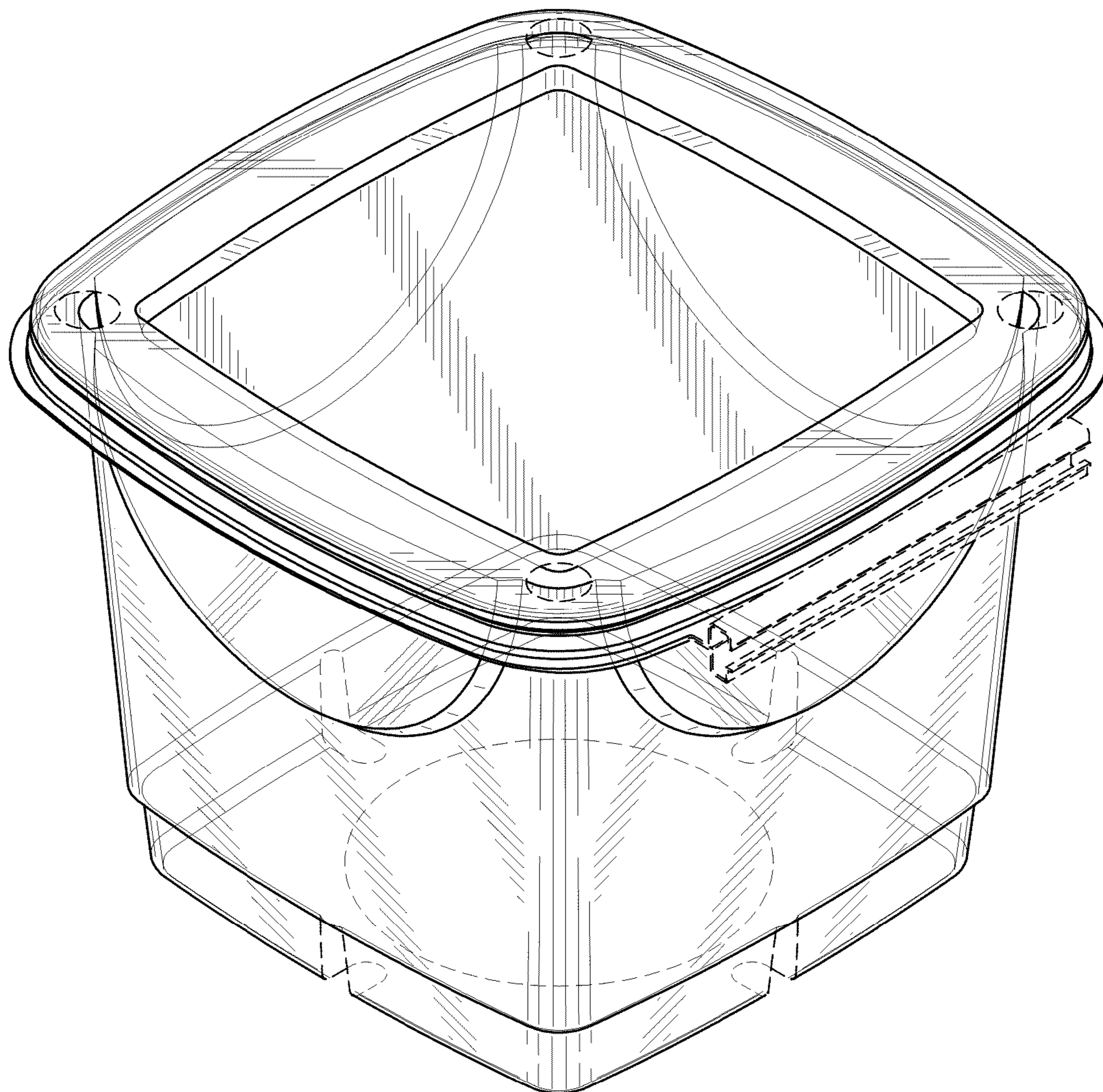


FIG. 2

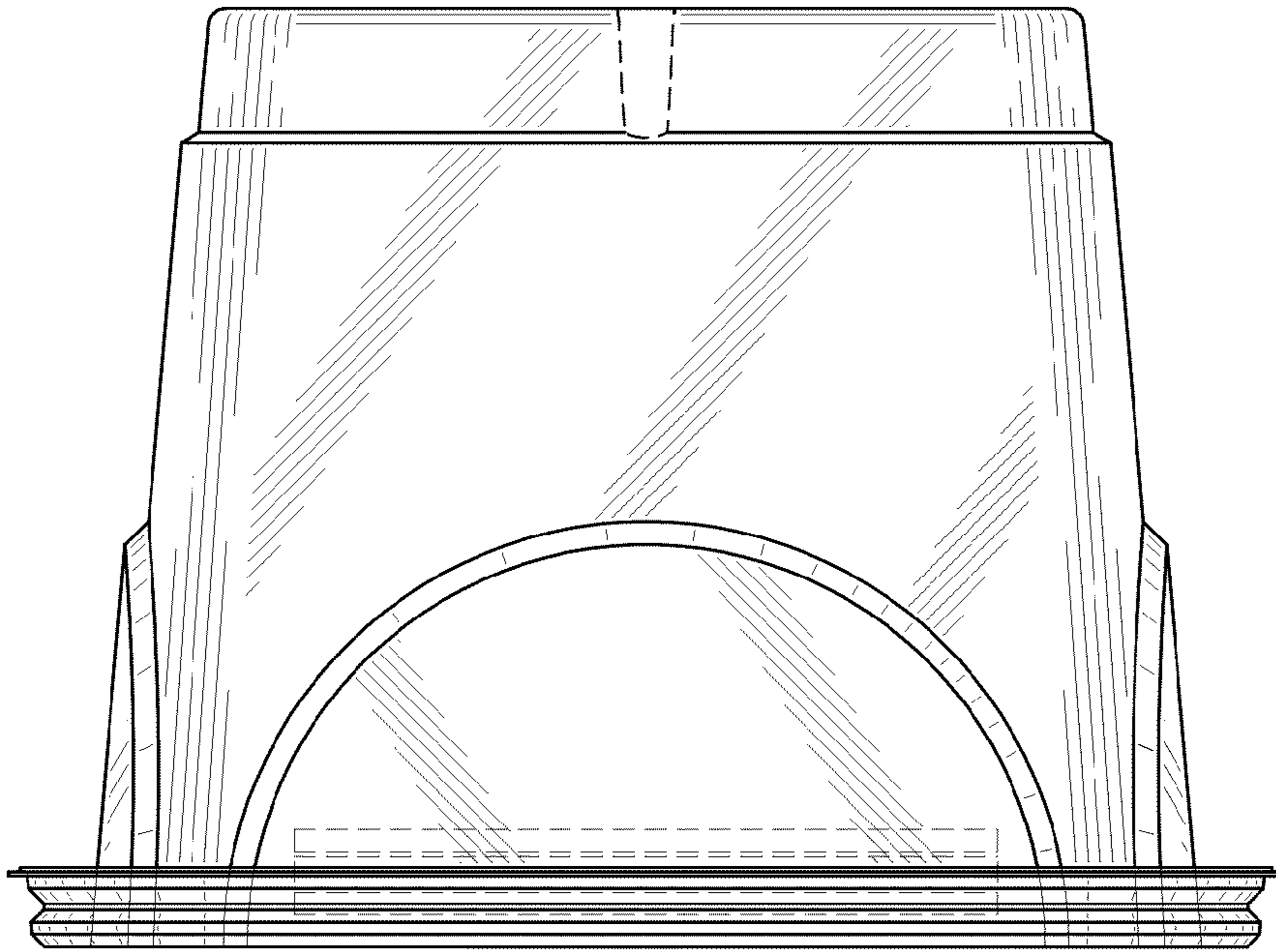


FIG. 3

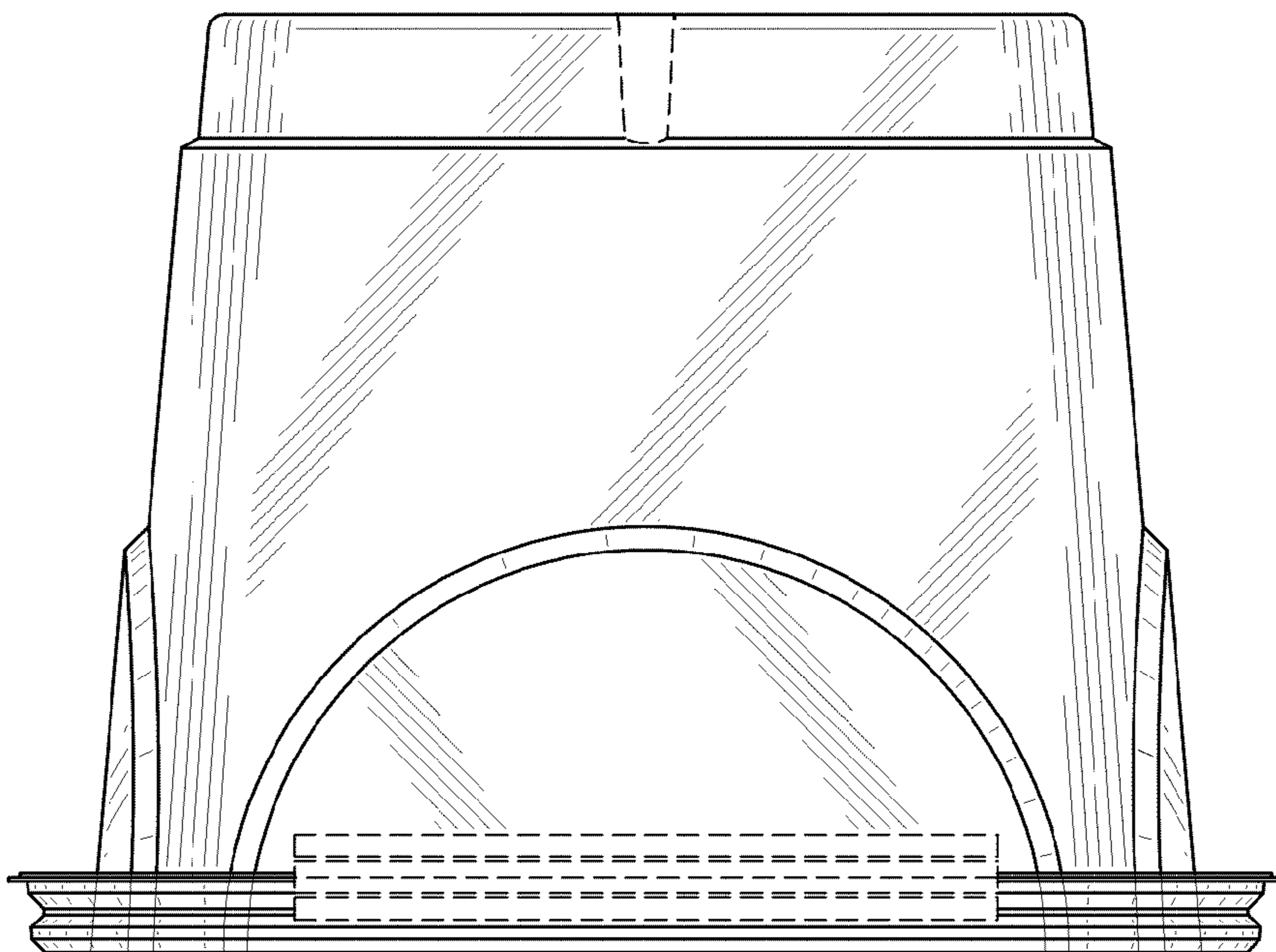


FIG. 4

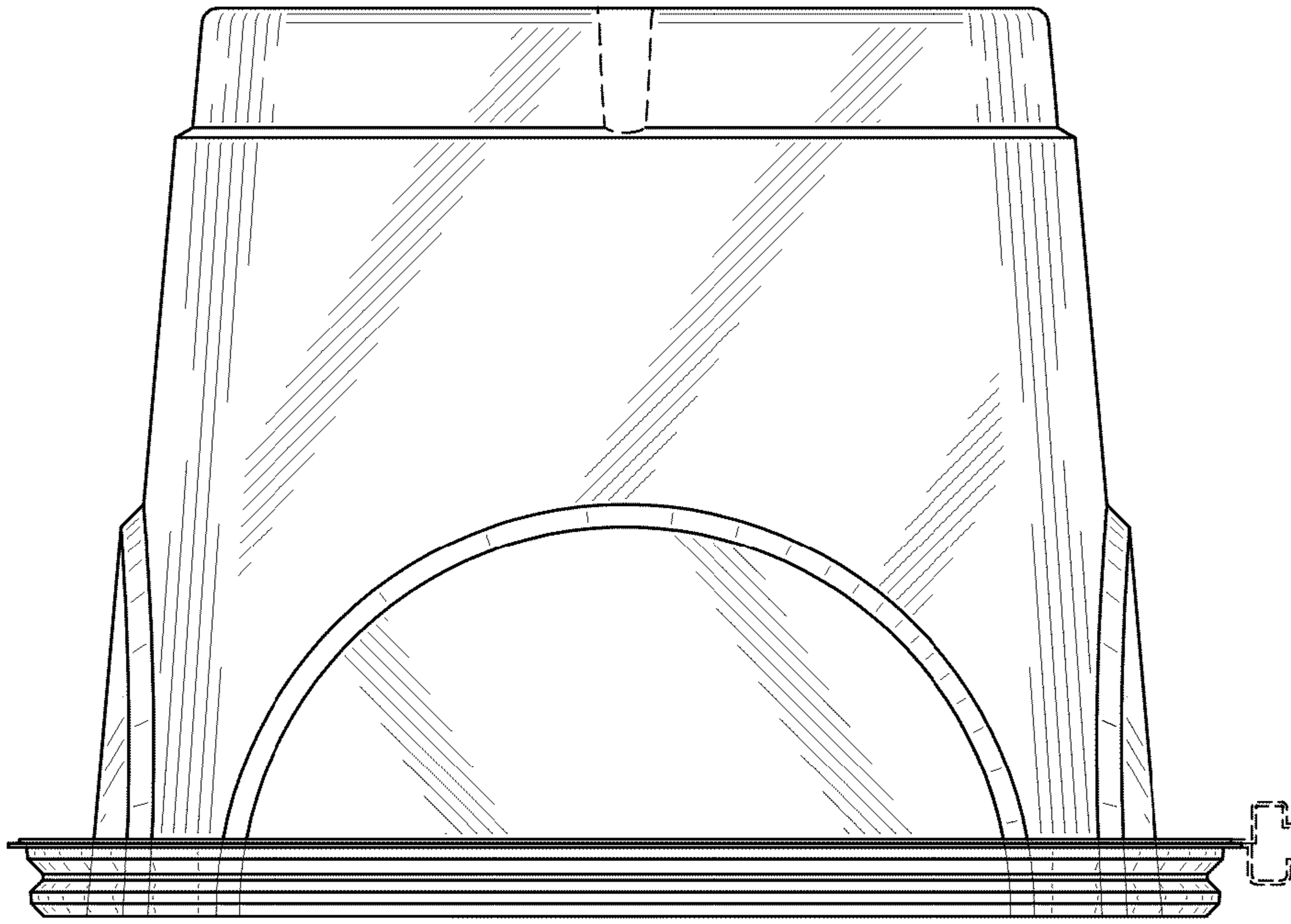


FIG. 5

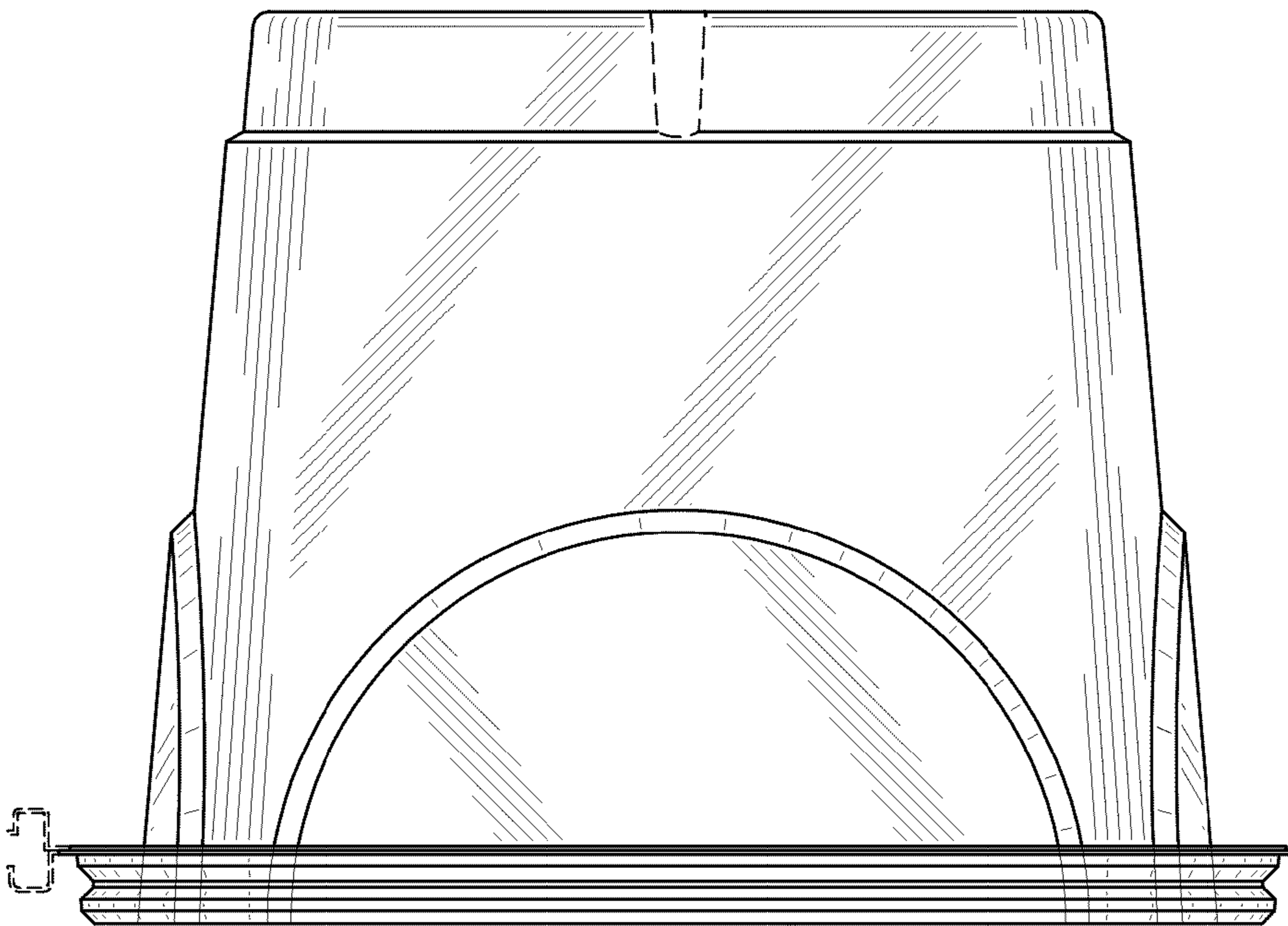


FIG. 6

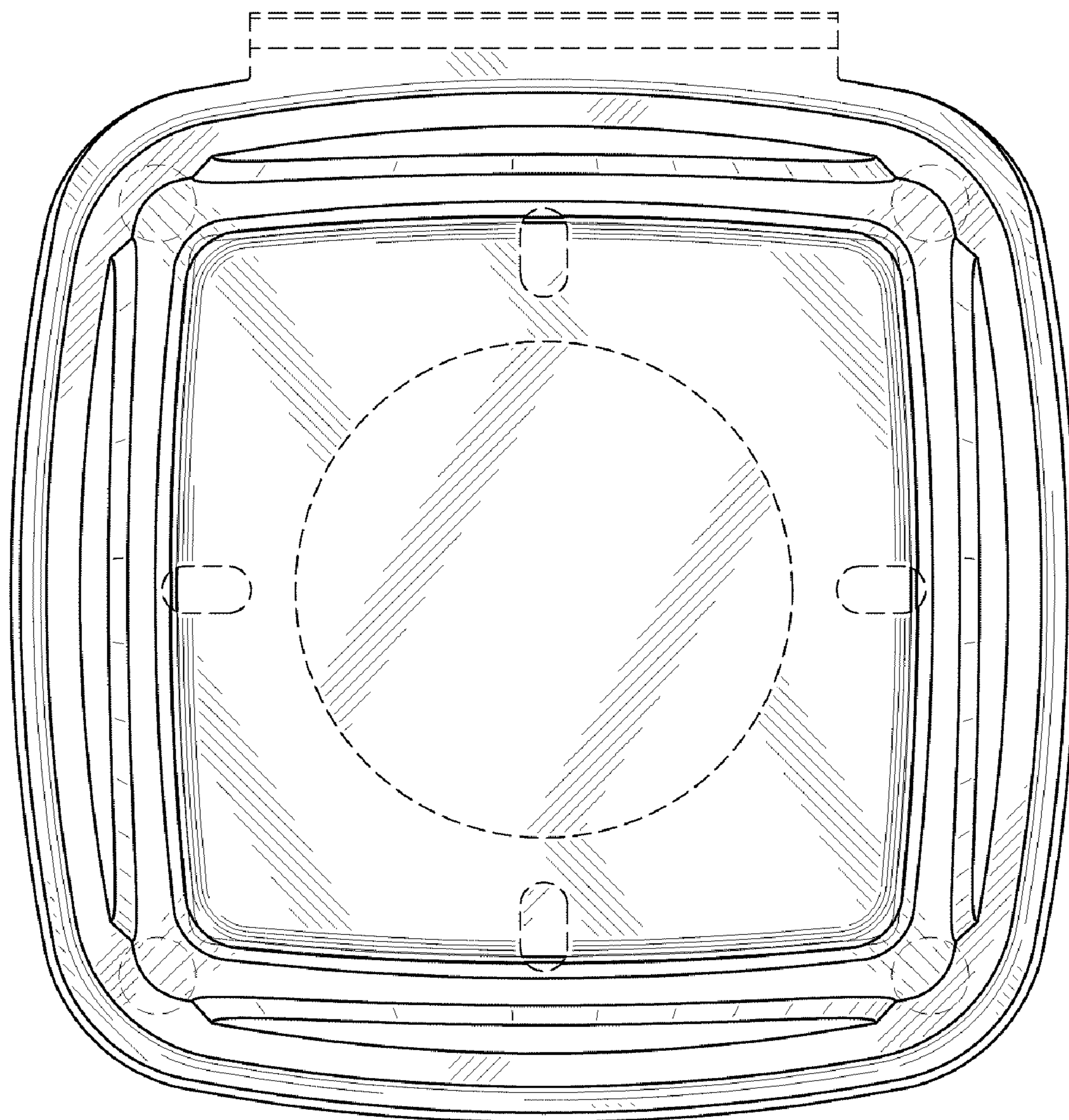


FIG. 7

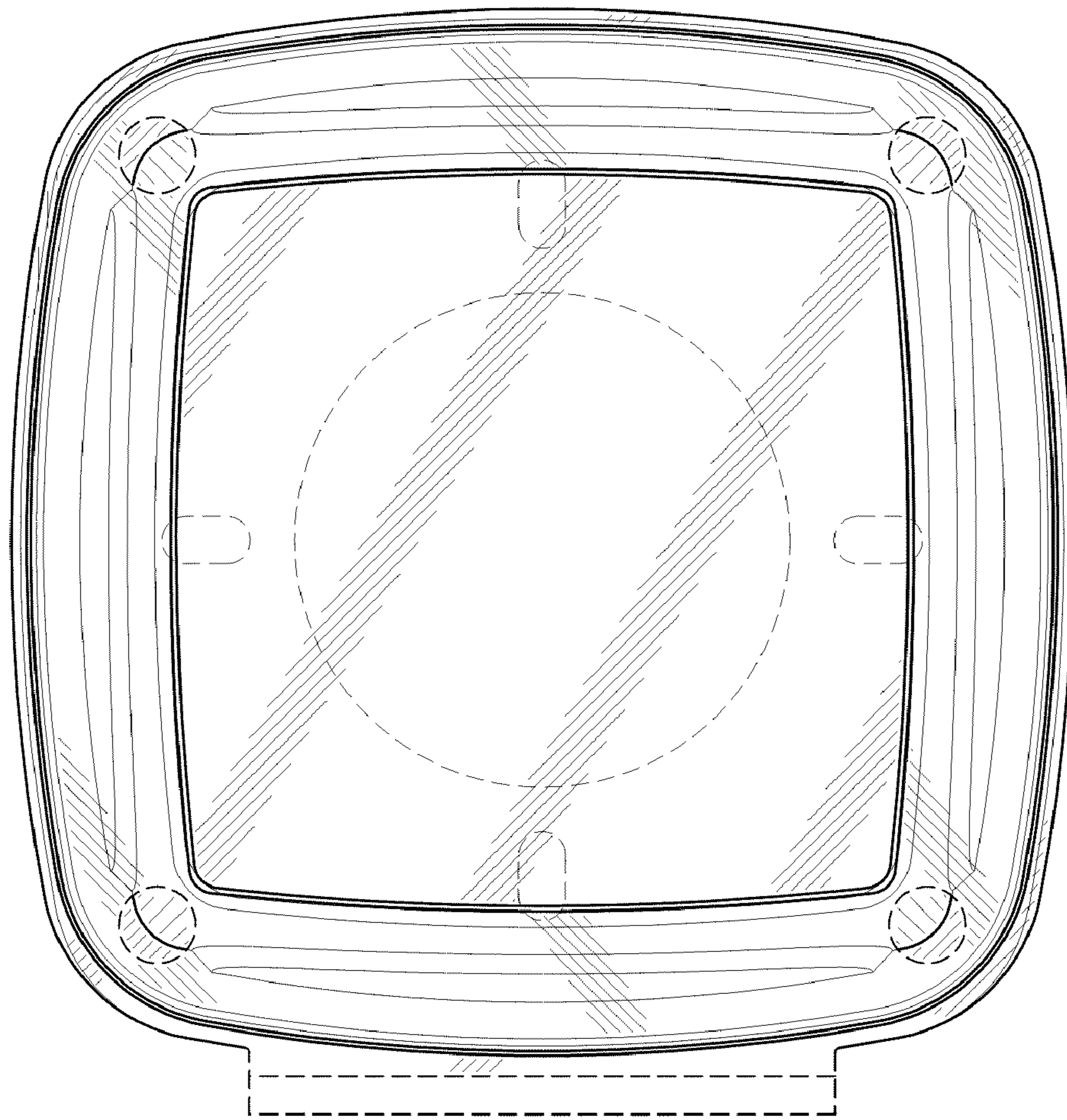


FIG. 8