

US00D640547S

(12) **United States Design Patent**  
**Guillemin et al.**

(10) **Patent No.:** **US D640,547 S**  
(45) **Date of Patent:** **\*\* Jun. 28, 2011**

(54) **CONTAINER**

(75) Inventors: **Patrice Guillemin**, Calixa-Lavallée (CA); **Patrick Messier**, Montréal (CA)

(73) Assignee: **Cascades Canada Inc.**, Montreal, Quebec (CA)

(\*\*) Term: **14 Years**

(21) Appl. No.: **29/383,252**

(22) Filed: **Jan. 14, 2011**

**Related U.S. Application Data**

(62) Division of application No. 29/365,875, filed on Jul. 16, 2010.

(51) **LOC (9) Cl.** ..... **09-03**

(52) **U.S. Cl.** ..... **D9/428**; D9/417; D9/425

(58) **Field of Classification Search** ..... D9/414, D9/416, 419, 424, 425, 430, 431, 432, 761; D7/538, 549, 550.1, 601-603, 605, 629; 220/23.4, 23.6, 266, 281, 315, 318, 500, 220/659, 669, 674, 675, 696, 752, 760, 790, 220/793, DIG. 12, FOR. 117; 229/105, 117.09, 229/117.26, 189, 406, 407, 902, 905, 915.1; 206/499, 508, 557; D3/276

See application file for complete search history.

(56) **References Cited**

**U.S. PATENT DOCUMENTS**

2,614,727	A *	10/1952	Robinson	.....	220/780
3,155,233	A *	11/1964	Tupper	.....	220/260
3,521,788	A *	7/1970	Carter et al.	.....	220/675
4,334,631	A	6/1982	Ballester		
4,378,895	A	4/1983	Woinarski		
4,524,882	A	6/1985	Buc		
4,660,735	A	4/1987	Peschardt		
D332,917	S	2/1993	McDevitt		
D336,850	S	6/1993	Guillin		
5,242,696	A	9/1993	McDevitt		
5,300,748	A	4/1994	Colombo		

5,339,973	A	8/1994	Edwards		
5,366,104	A	11/1994	Armstrong		
D354,435	S	1/1995	Krupa		
5,427,266	A	6/1995	Yun		
D403,924	S *	1/1999	Carlson	.....	D7/602
6,056,138	A	5/2000	Chen		
6,467,647	B1	10/2002	Tucker		
6,609,633	B1	8/2003	Dyble		
D490,278	S	5/2004	Welsh		
6,761,283	B1 *	7/2004	Gilliam et al.	.....	220/837

(Continued)

**FOREIGN PATENT DOCUMENTS**

CA 1114756 12/1981

(Continued)

*Primary Examiner* — Thomas Johannes

(74) *Attorney, Agent, or Firm* — Ogilvy Renault LLP

(57) **CLAIM**

The ornamental design for a container, as shown and described.

**DESCRIPTION**

FIG. 1 is a perspective view of a container in a closed state, showing our new design;

FIG. 2 is a right side elevation view thereof;

FIG. 3 is a left side elevation view thereof;

FIG. 4 is a front elevation view thereof;

FIG. 5 is a rear elevation view thereof;

FIG. 6 is a top plan view thereof;

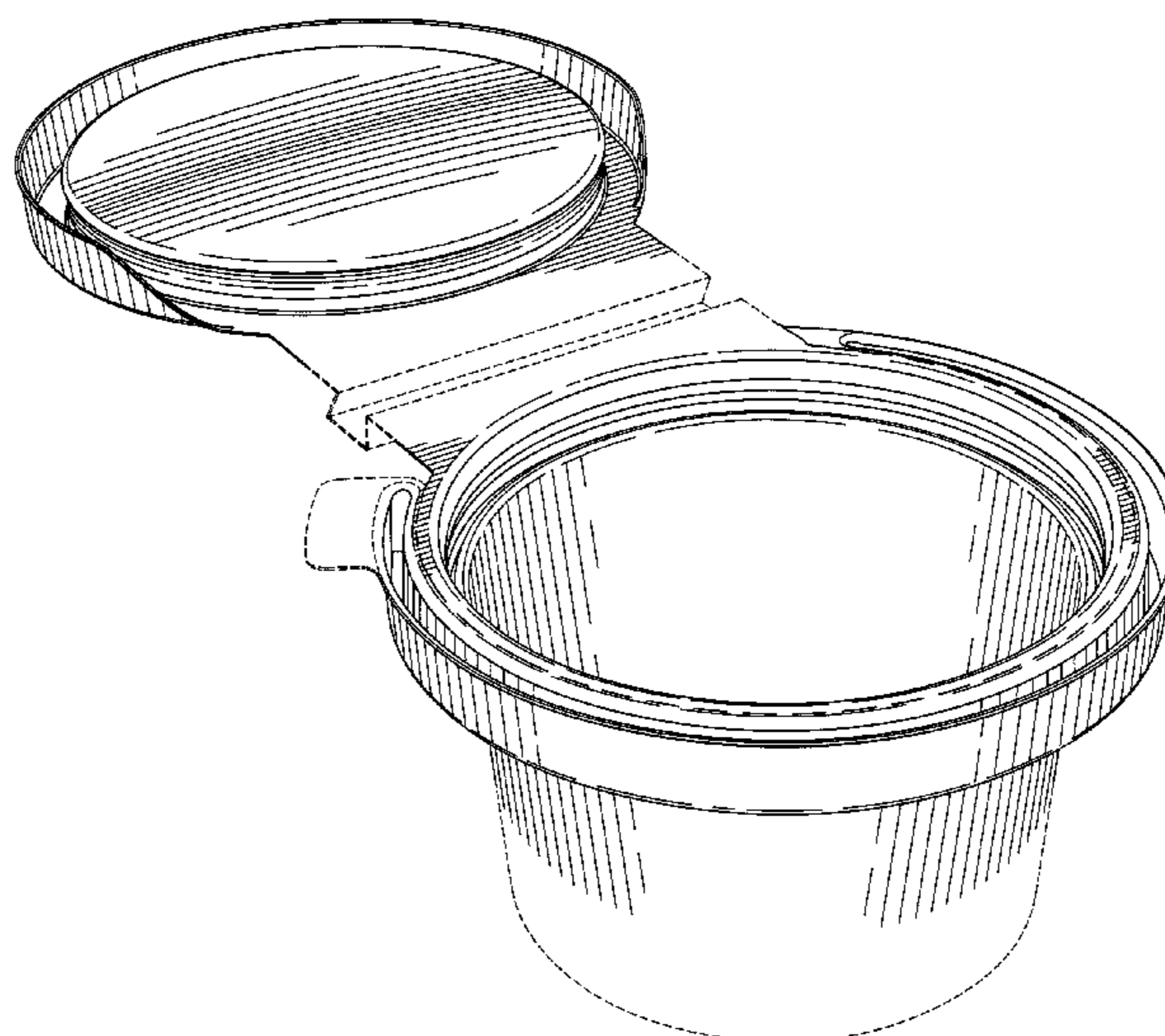
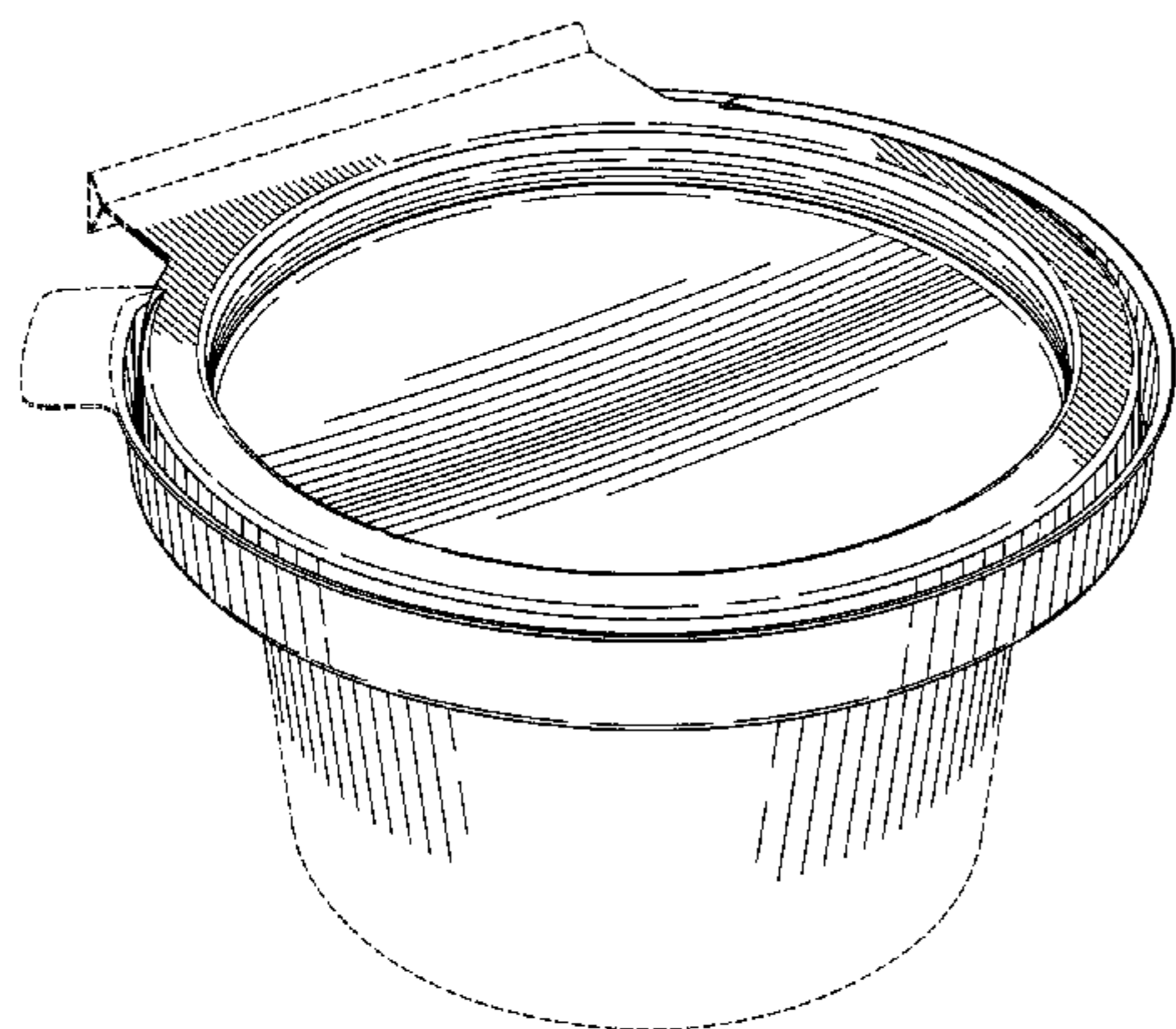
FIG. 7 is a bottom plan view thereof; and

FIG. 8 is another perspective view thereof, in an open state; and,

FIG. 9 is a cross section view thereof taken in the direction of line 9-9 in FIG. 6.

The lightweight broken line portion of the figure drawings is included to show unclaimed subject matter only and forms no part of the claimed design. The heavy weight dashed line in FIG. 8 schematically shows claimed tear perforations.

**1 Claim, 6 Drawing Sheets**



# US D640,547 S

Page 2

## U.S. PATENT DOCUMENTS

D501,636 S \* 2/2005 Melhede ..... D9/428  
D503,336 S 3/2005 Tucker  
7,017,776 B1 3/2006 Hupp  
D524,645 S 7/2006 LaMasney  
7,246,714 B2 7/2007 Garg  
7,490,730 B2 2/2009 Cerone  
D587,993 S \* 3/2009 Vovan ..... D9/416  
2005/0247708 A1 11/2005 Golden  
2007/0012710 A1 1/2007 Vovan  
2007/0045317 A1 3/2007 Rosender  
2009/0039051 A1\* 2/2009 Habitz et al. .... 215/256

2009/0120942 A1 5/2009 Vovan  
2010/0051620 A1 3/2010 Parikh  
2010/0270323 A1\* 10/2010 Zeiler et al. .... 220/810

## FOREIGN PATENT DOCUMENTS

CA 2118233 4/1998  
CA 2482018 3/2005  
CA 2505122 10/2005  
WO 2000021849 4/2000  
WO 2008006056 1/2008

\* cited by examiner

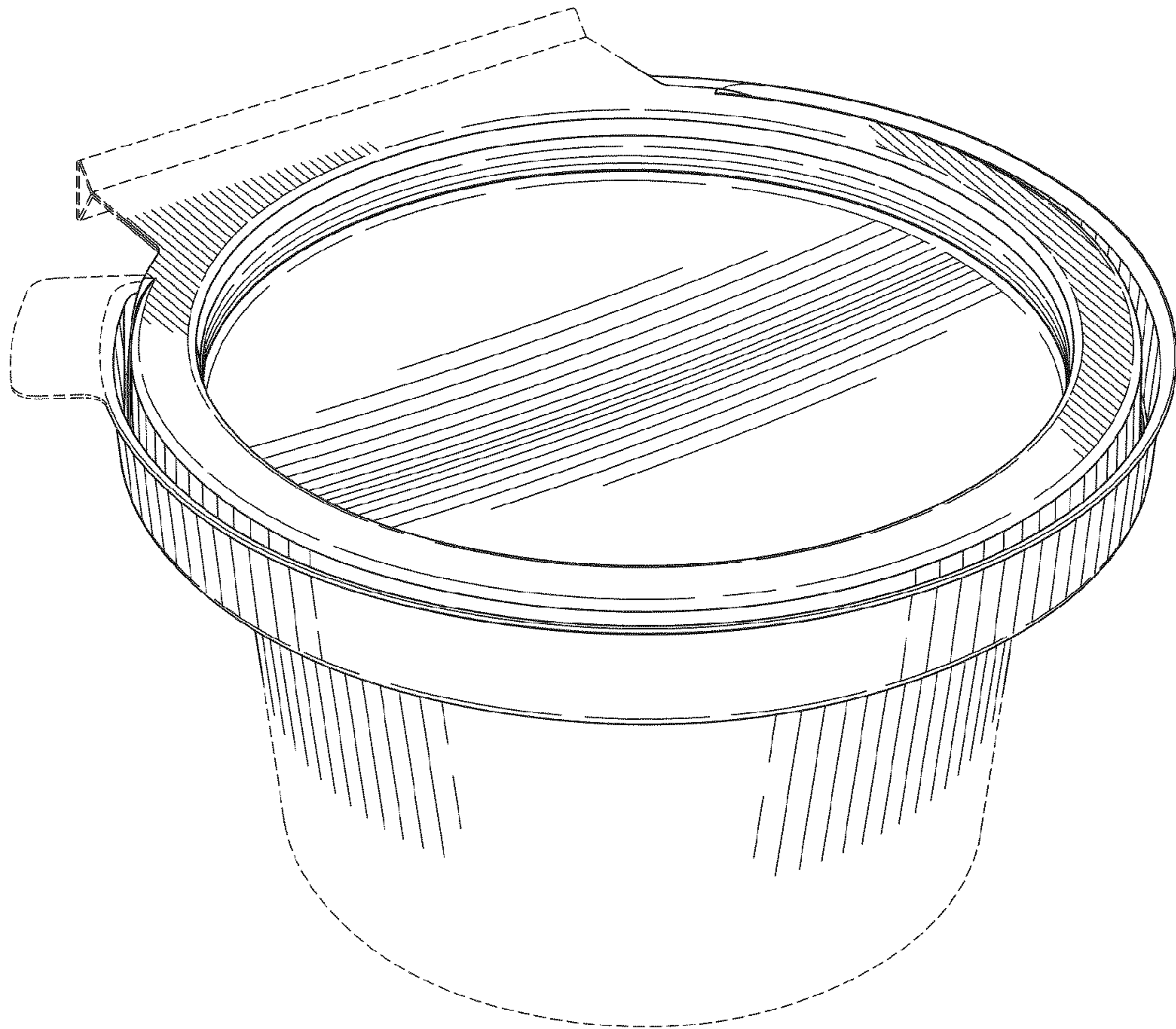


FIG. 1

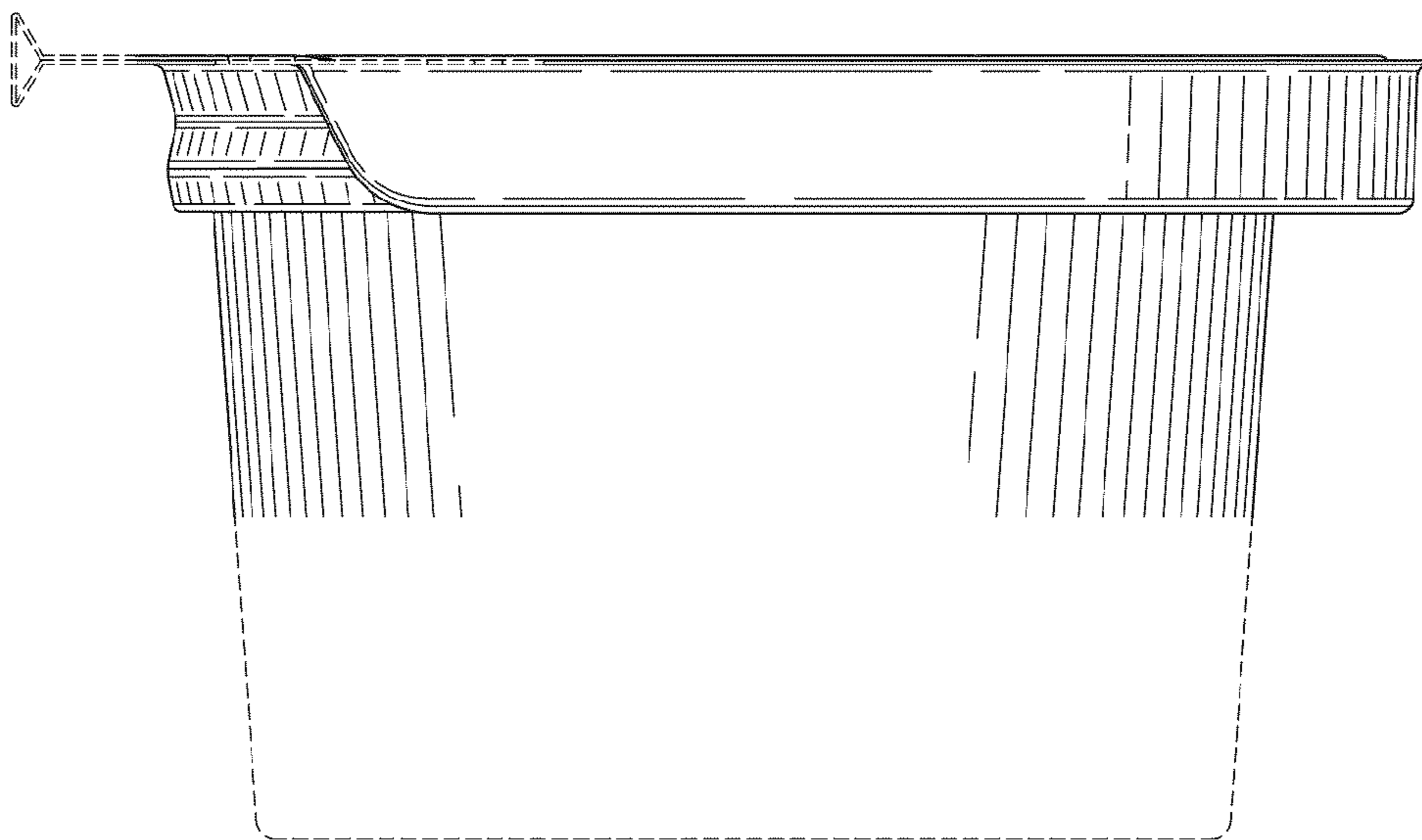


FIG. 2

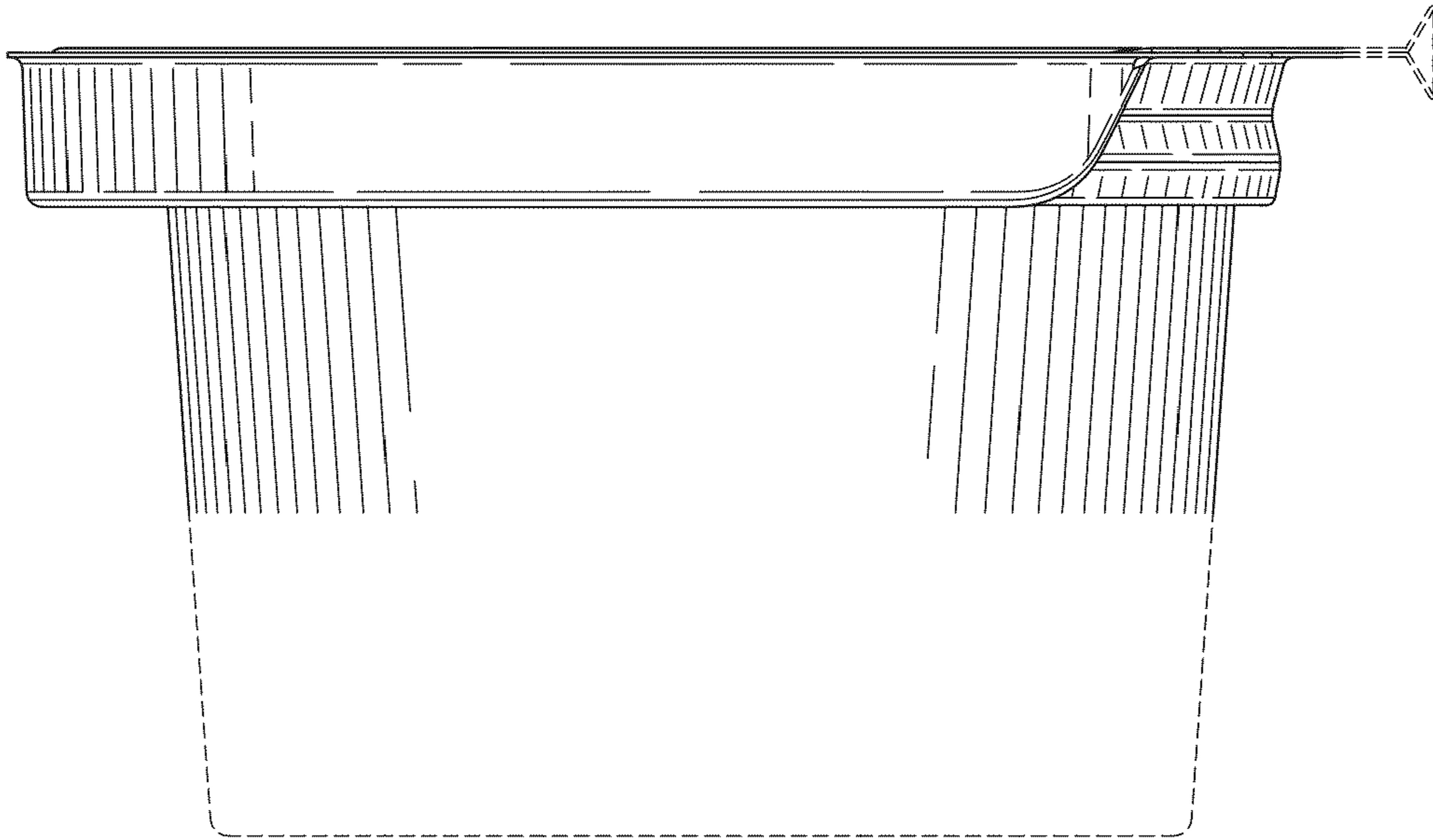


FIG. 3

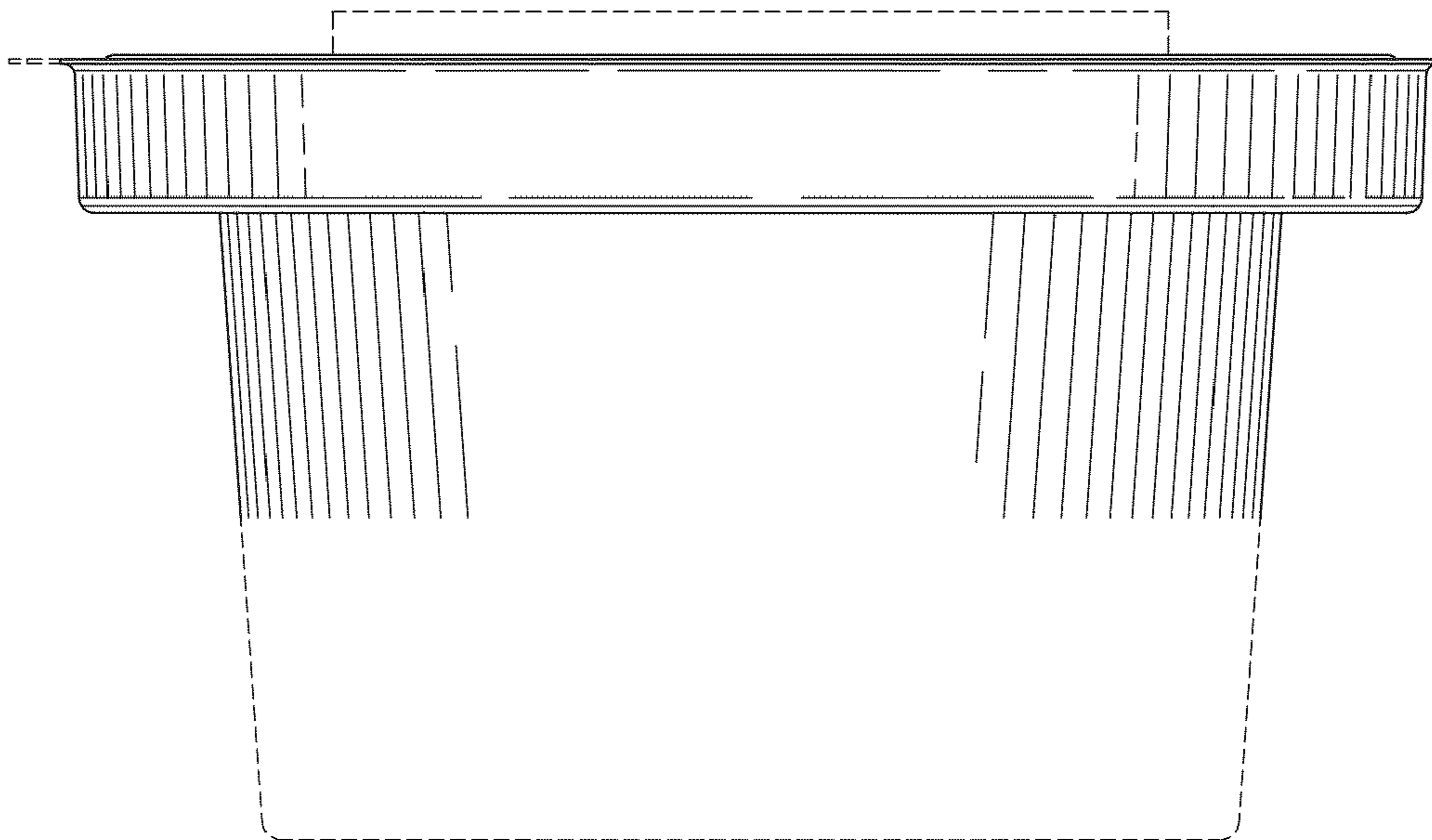


FIG. 4

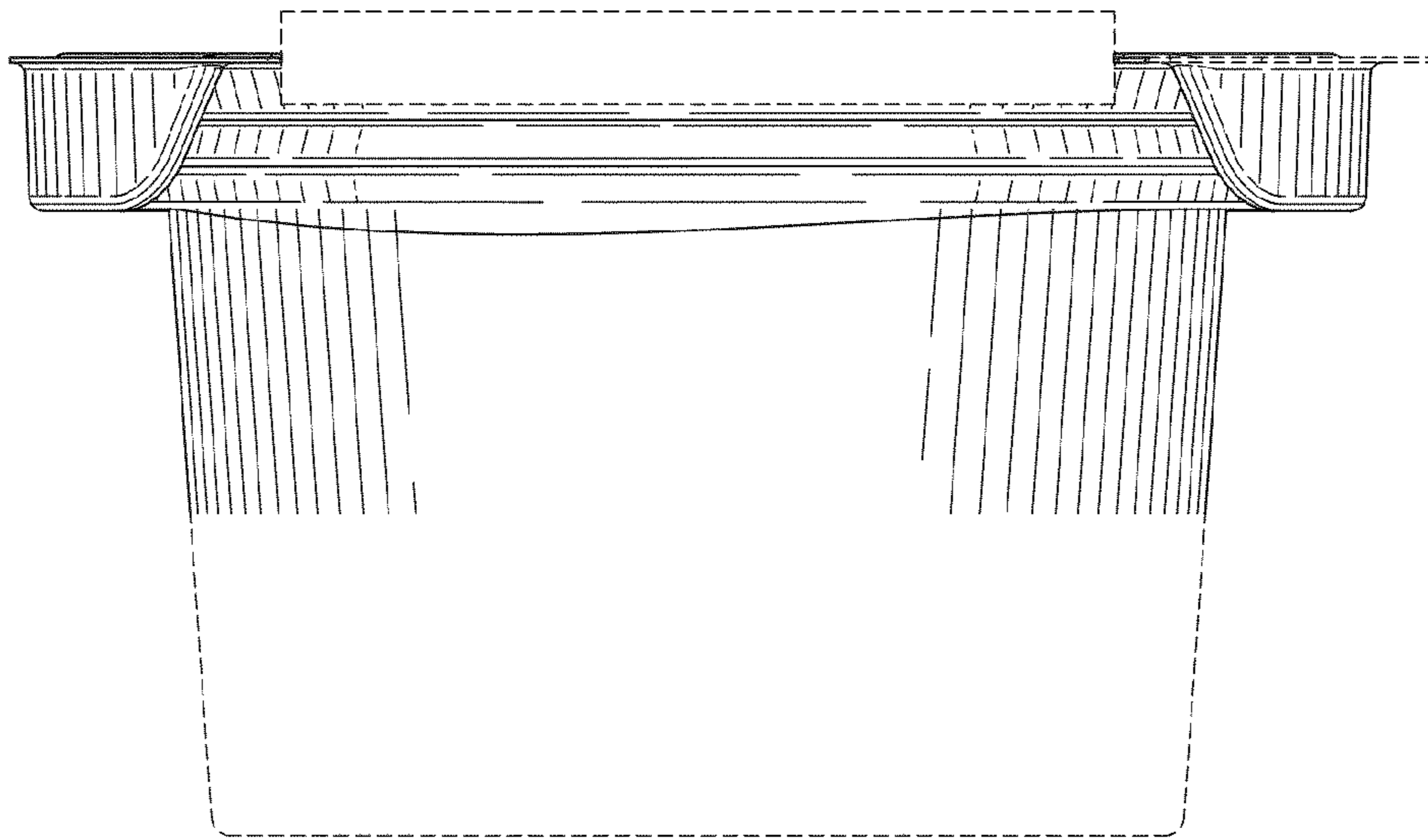


Fig. 5

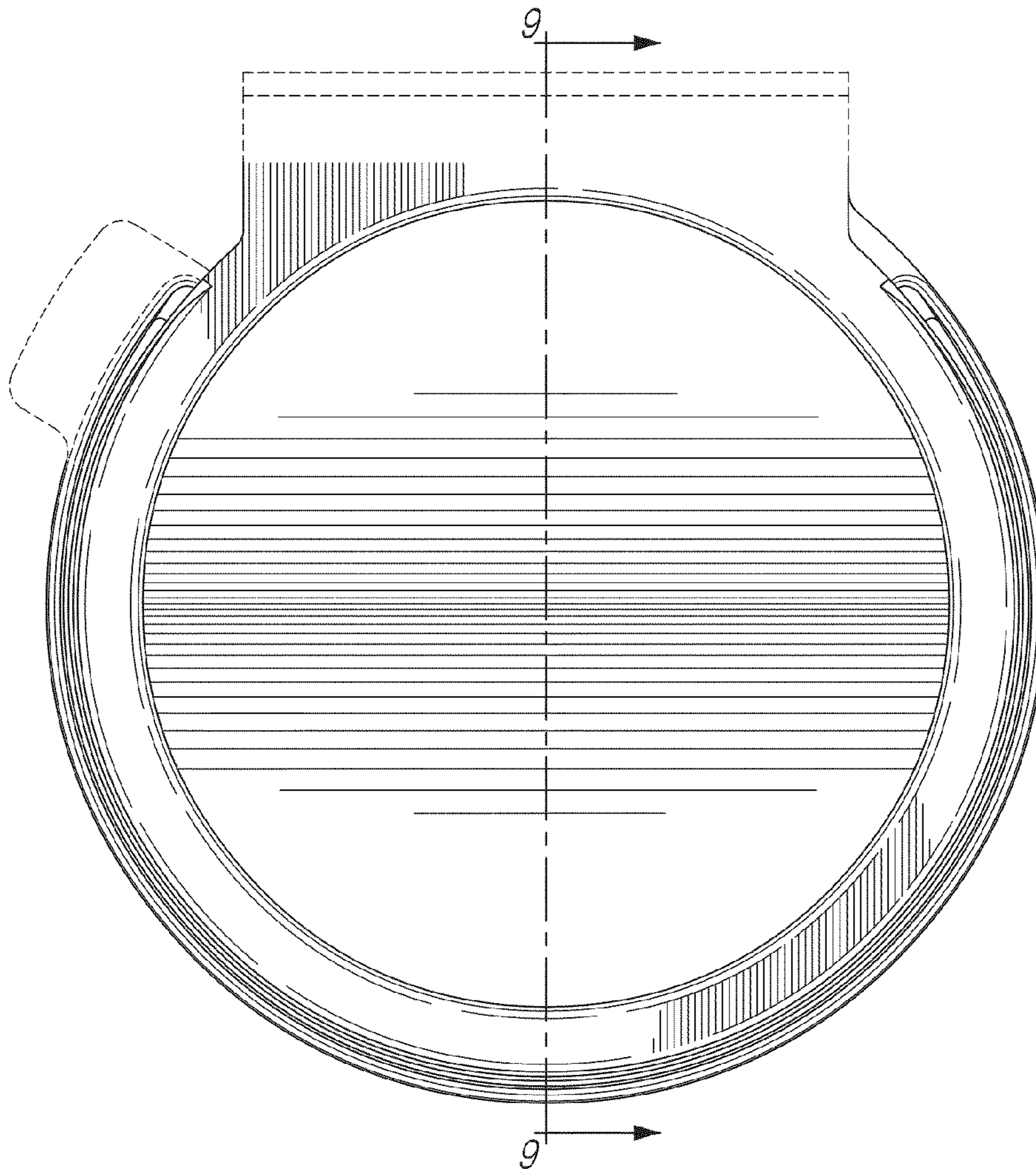


Fig. 6

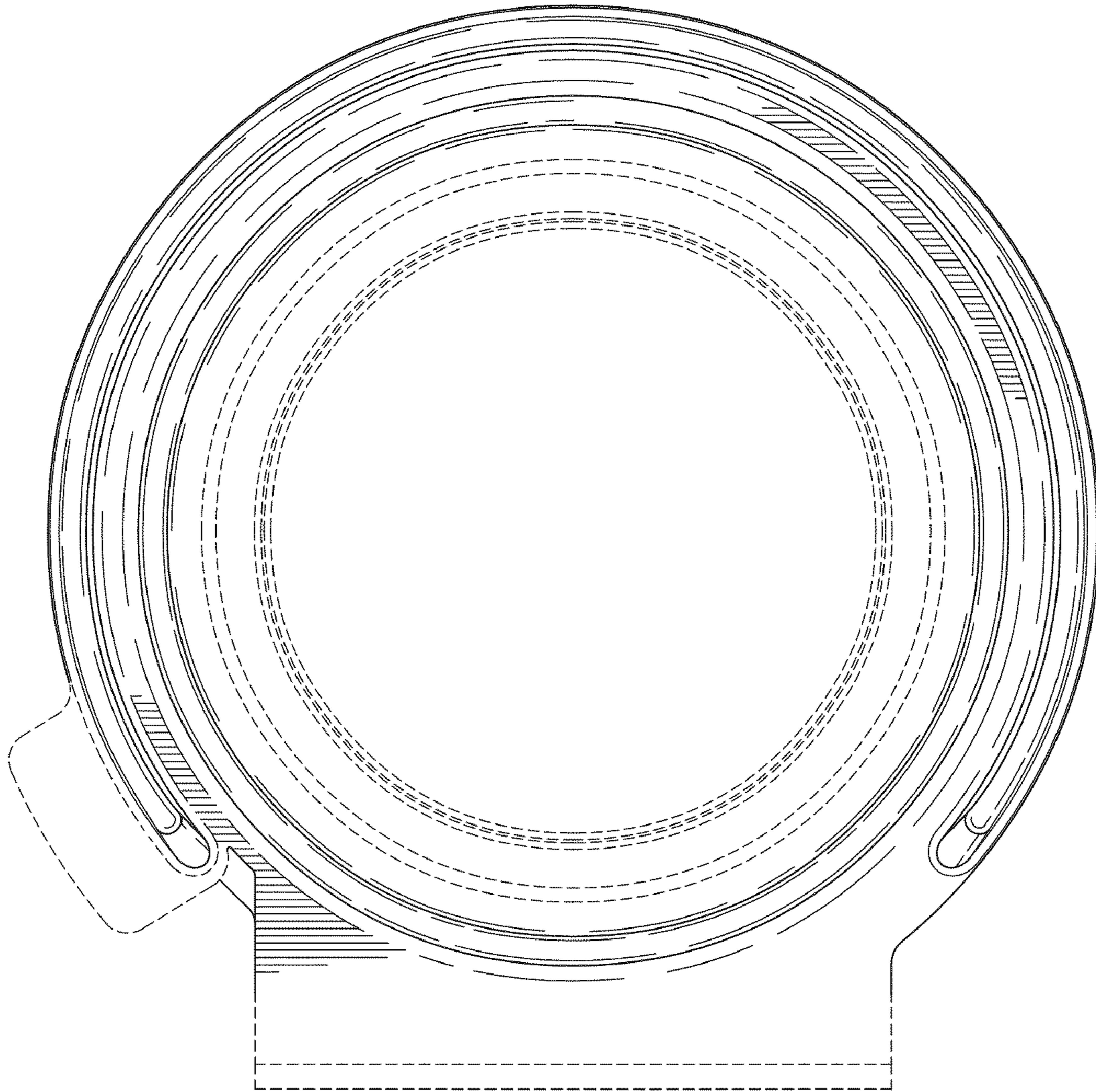


FIG. 7

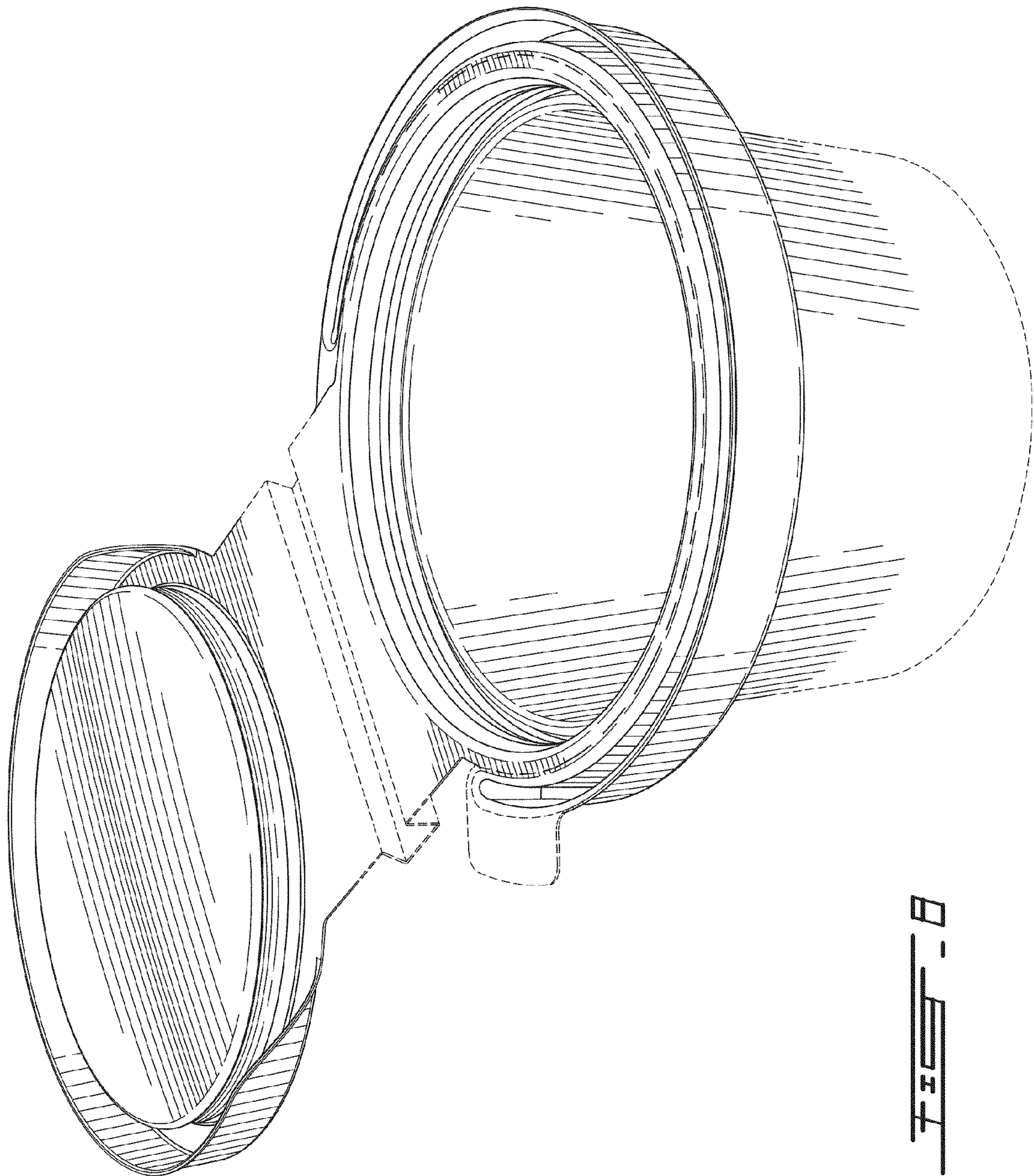


FIG. 5

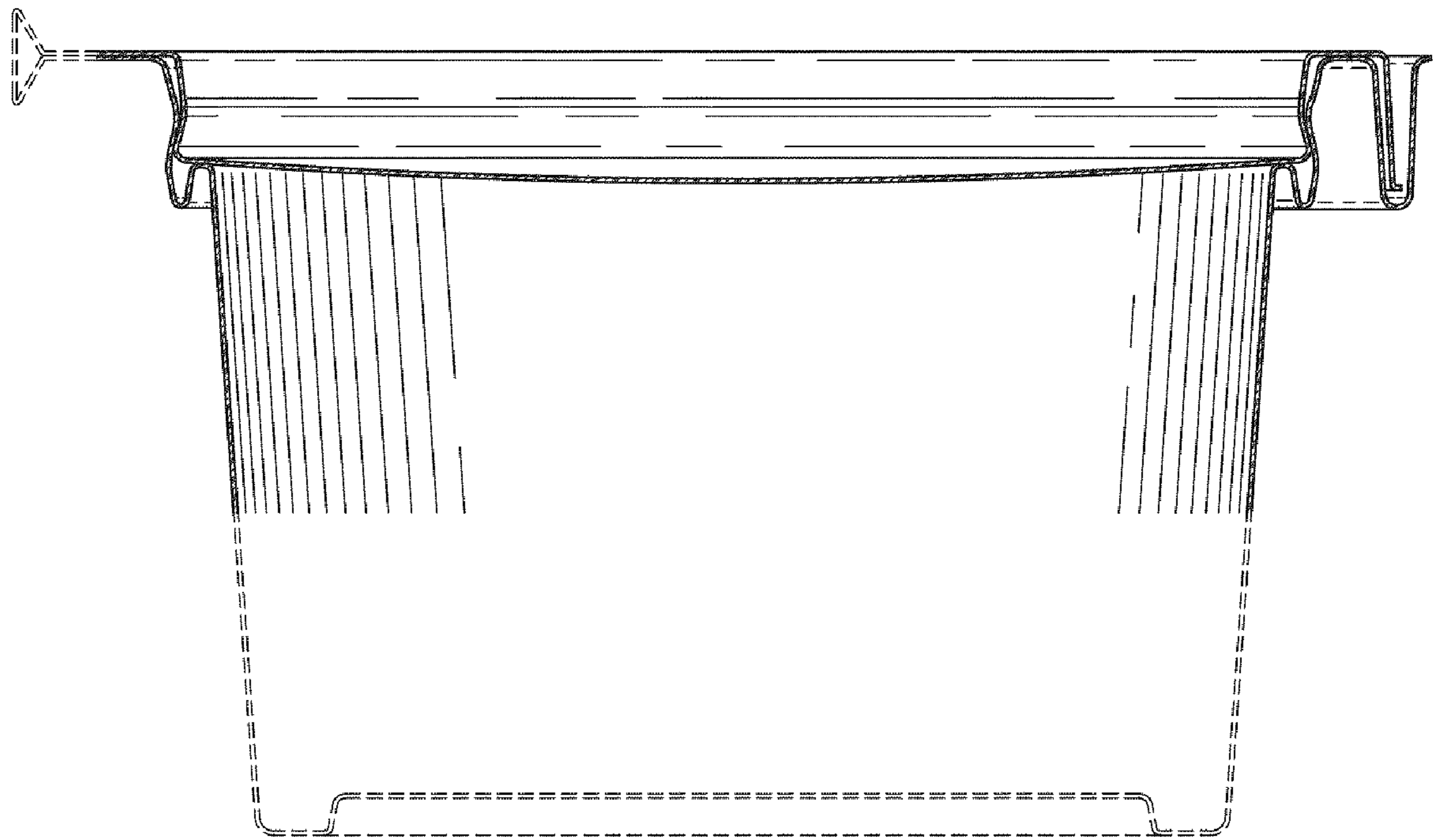


FIG. 9