



US00D640543S

(12) **United States Design Patent**
Kindig

(10) **Patent No.:** **US D640,543 S**
(45) **Date of Patent:** **** Jun. 28, 2011**

(54) **CORNER SYSTEM**

- (75) Inventor: **Michael A. Kindig**, Chagrin Falls, OH (US)
- (73) Assignee: **Lincoln Global, Inc.**, City of Industry, CA (US)
- (**) Term: **14 Years**
- (21) Appl. No.: **29/359,044**
- (22) Filed: **Apr. 5, 2010**

Related U.S. Application Data

- (62) Division of application No. 29/318,548, filed on May 22, 2008, now Pat. No. Des. 628,880.
- (51) **LOC (9) Cl.** **08-05**
- (52) **U.S. Cl.** **D8/403**
- (58) **Field of Classification Search** D8/400-499; D25/199; D24/227, 229; 54/24, 26; 428/99, 428/199; 229/199; 206/453, 586, 557-567
See application file for complete search history.

(56) **References Cited**

U.S. PATENT DOCUMENTS

3,836,043 A 9/1974 Levin
(Continued)

OTHER PUBLICATIONS

ESAB AB, Aristo(TM) Mig U4000i/U5000i, http://www.esab.com.ar/ar/sp/productos/upload/AristoMig_U5000_4000i.pdf, Nov. 7, 2006 (printed on Aug. 12, 2008), 2 pages.

(Continued)

Primary Examiner — Cathron Brooks

Assistant Examiner — Barbara Fox

(74) *Attorney, Agent, or Firm* — Hahn Loeser & Parks, LLP; Keith J. Marcinowski

(57) **CLAIM**

The ornamental design for a corner system, as shown and described.

DESCRIPTION

FIG. 1 is a perspective view of a corner system, showing the new design, shown attached to a box environment;

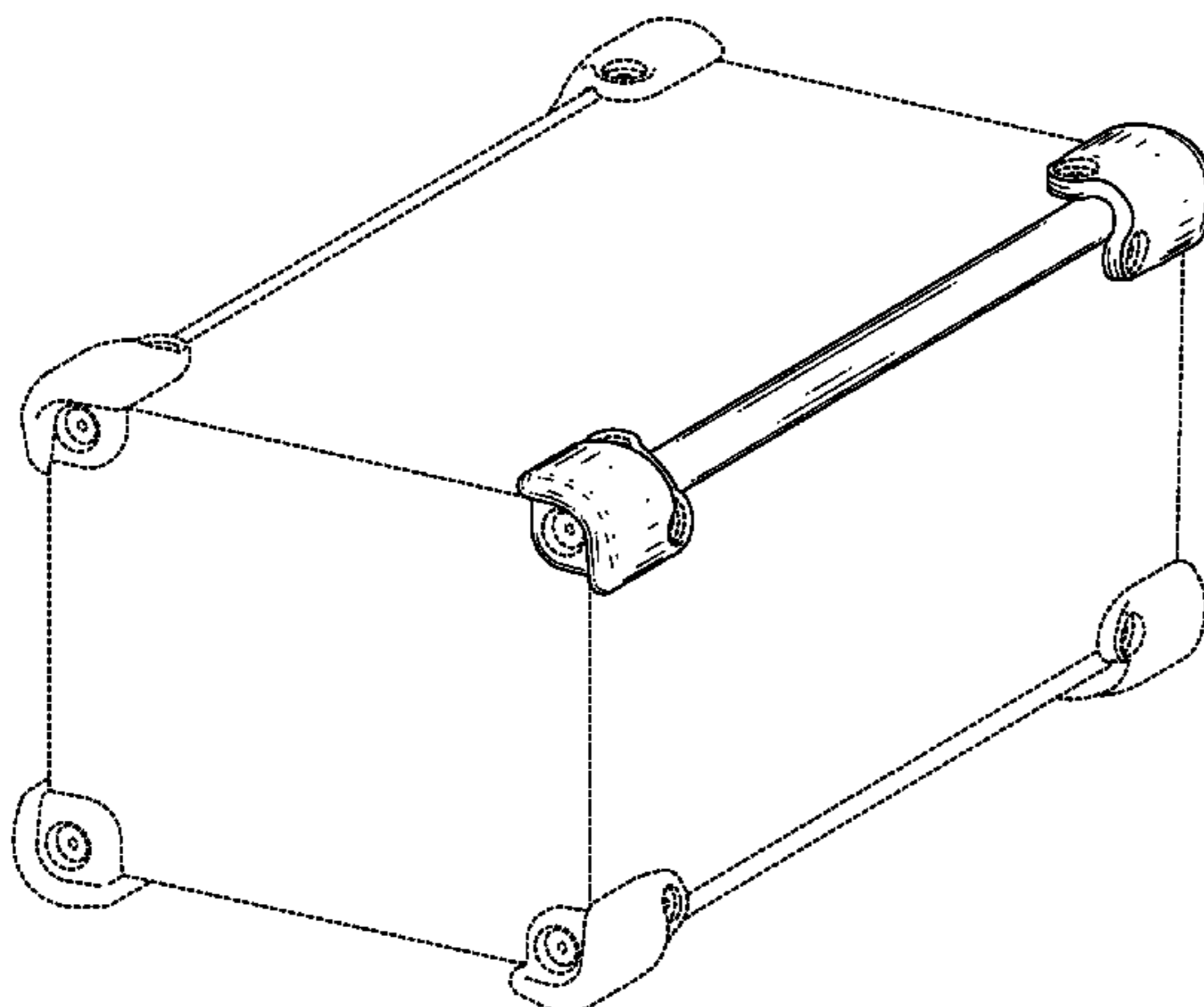


FIG. 2 is a left side perspective view of the corner system of FIG. 1, shown enlarged for completeness of illustration, shown broken in the center so that the drawing can be shown on a single page, and with the right side perspective view being a mirror image thereof;

FIG. 3 is an end view of the corner system of FIG. 2;

FIG. 4 is a front view of the corner system of FIG. 2;

FIG. 5 is a perspective view of a second embodiment of a corner system, showing the new design, shown attached to a box environment;

FIG. 6 is a left side perspective view of the corner system of FIG. 5, shown enlarged for completeness of illustration, shown broken in the center so that the drawing can be shown on a single page, and with the right side perspective view being a mirror image thereof;

FIG. 7 is an end view of the corner system of FIG. 6;

FIG. 8 is a front view of the corner system of FIG. 6;

FIG. 9 is a perspective view of a third embodiment of a corner system, showing the new design, shown attached to a box environment;

FIG. 10 is a left side perspective view of the corner system of FIG. 9, shown enlarged for completeness of illustration, shown broken in the center so that the drawing can be shown on a single page, and with the right side perspective view being a mirror image thereof;

FIG. 11 is an end view of the corner system of FIG. 10;

FIG. 12 is a front view of the corner system of FIG. 10;

FIG. 13 is a perspective view of a fourth embodiment of a corner system, showing the new design, shown attached to a box environment;

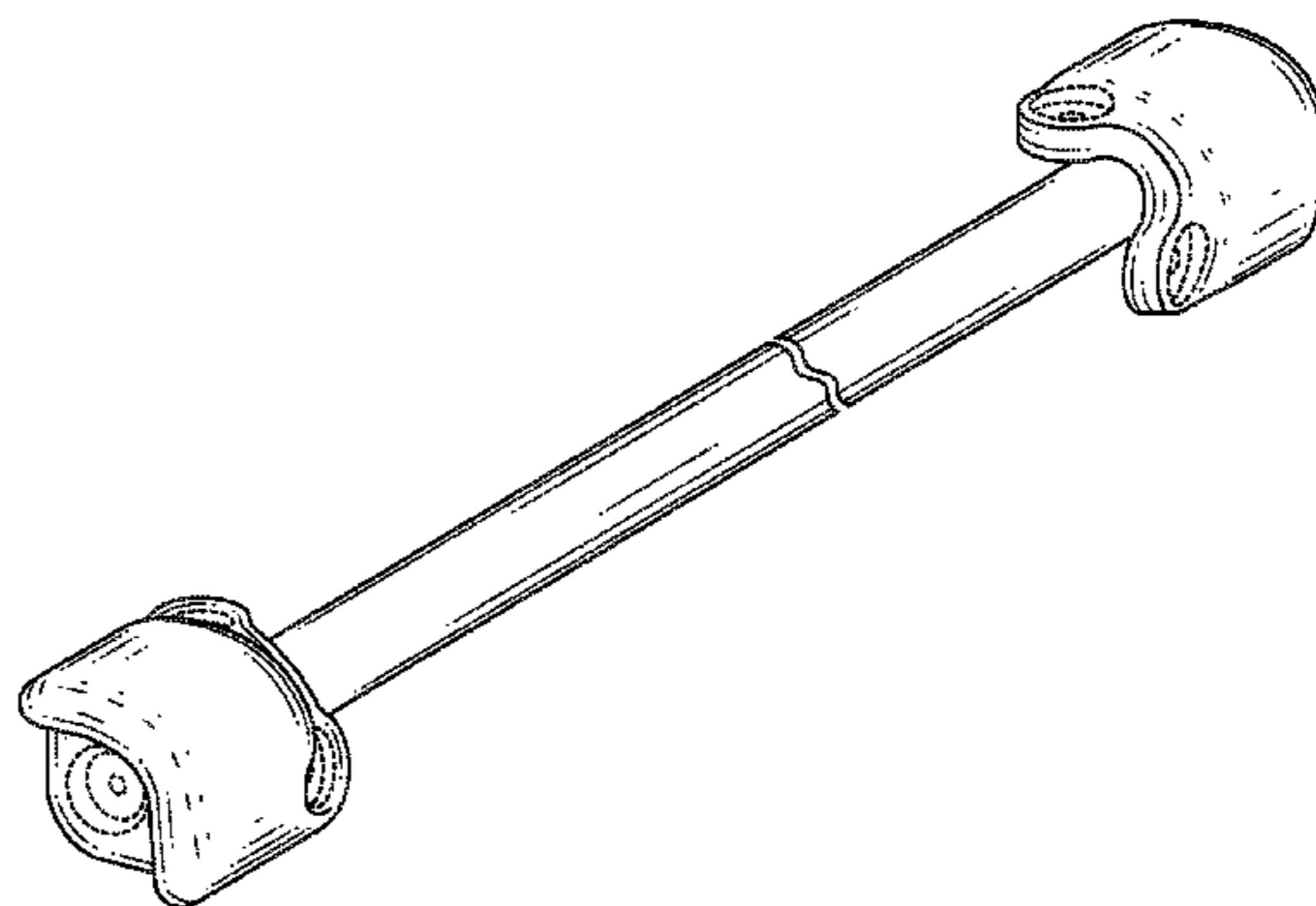
FIG. 14 is a left side perspective view of the corner system of FIG. 13, shown enlarged for completeness of illustration, shown broken in the center so that the drawing can be shown on a single page, and with the right side perspective view being a mirror image thereof;

FIG. 15 is an end view of the corner system of FIG. 14; and,

FIG. 16 is a front view of the corner system of FIG. 14.

The broken lines shown in the drawings illustrate unclaimed portions of the corner system and environmental structure, and form no part of the claimed design.

1 Claim, 12 Drawing Sheets



US D640,543 S

Page 2

U.S. PATENT DOCUMENTS

D246,625 S 12/1977 Becker, III
4,430,833 A 2/1984 Balzer
4,706,426 A 11/1987 Rumsey
4,768,845 A 9/1988 Yeh
4,817,902 A 4/1989 Mason
5,000,301 A 3/1991 Grenier
5,045,374 A * 9/1991 Tucker 428/83
5,503,471 A 4/1996 Aspenwall
5,647,182 A 7/1997 Rutherford
D412,436 S 8/1999 Tsui
6,125,488 A 10/2000 Vogland
6,354,049 B1 3/2002 Bennett
6,357,568 B1 * 3/2002 Chen 190/37
6,419,331 B2 7/2002 Wei
D478,502 S 8/2003 Zamberg et al.
D479,799 S 9/2003 Zamberg et al.
D499,883 S * 12/2004 Perella et al. D3/276
6,881,469 B2 4/2005 Hightower

D525,372 S 7/2006 Levi-Senigaglia
D528,795 S * 9/2006 Perella et al. D3/297
7,168,208 B2 1/2007 Ward
D549,447 S * 8/2007 Perella et al. D3/206
D561,462 S * 2/2008 Perella et al. D3/206
D562,048 S * 2/2008 Perella et al. D6/632
D563,692 S * 3/2008 DeCarlo et al. D6/448
D574,655 S * 8/2008 Perella et al. D6/634
D578,819 S * 10/2008 Perella et al. D6/632
D599,199 S * 9/2009 Roberts et al. D8/382
2009/0266739 A1 10/2009 Kindig
2009/0269131 A1 10/2009 Kindig et al.

OTHER PUBLICATIONS

Migatronix, Sigma 300/400/500 Professional Welding-Surprisingly Simple, http://www.migatronix.com/media/leafletsuk/52170032a_sigma.pdf, printed on Aug. 12, 2008, 8 pages.

* cited by examiner

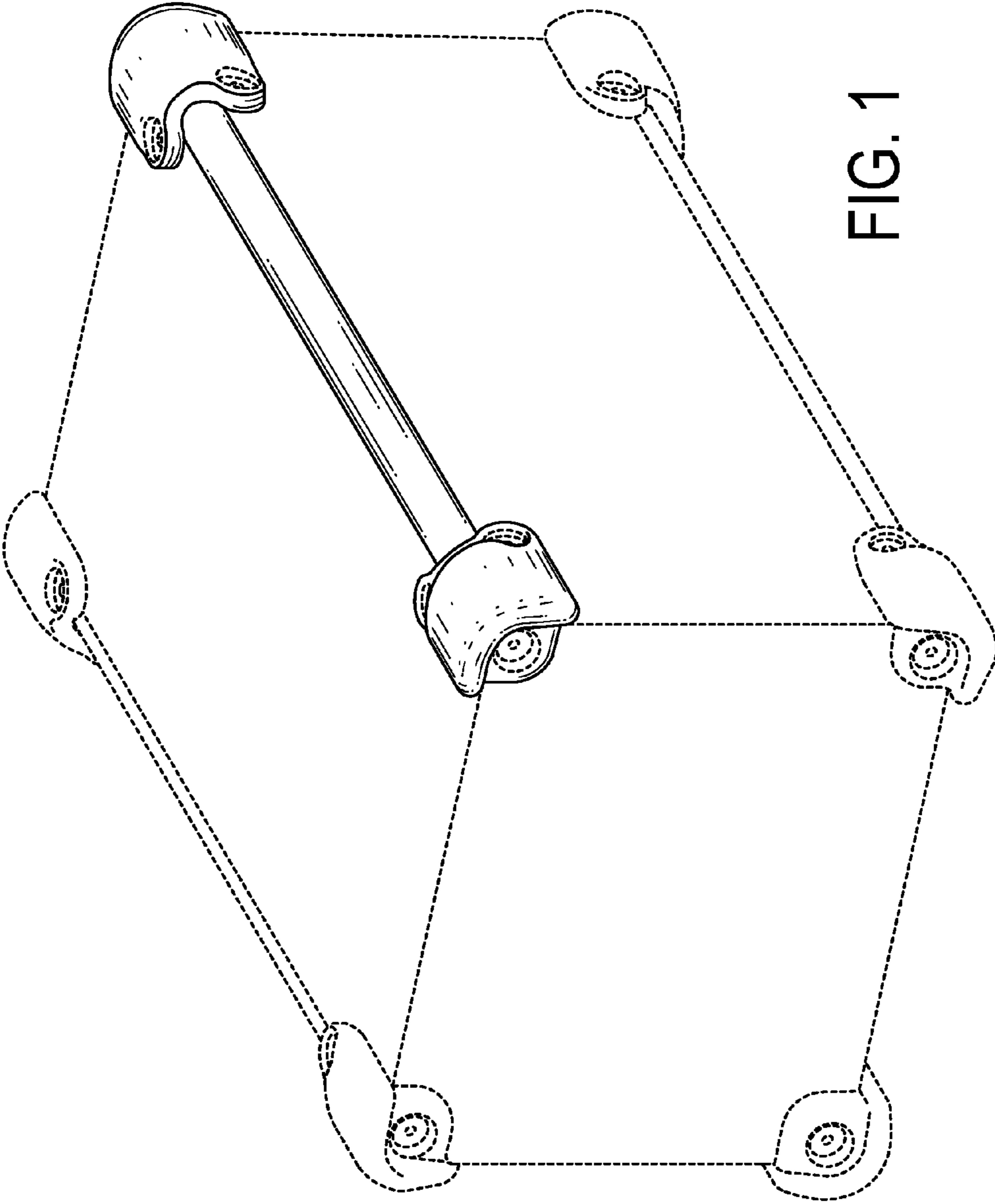


FIG. 1

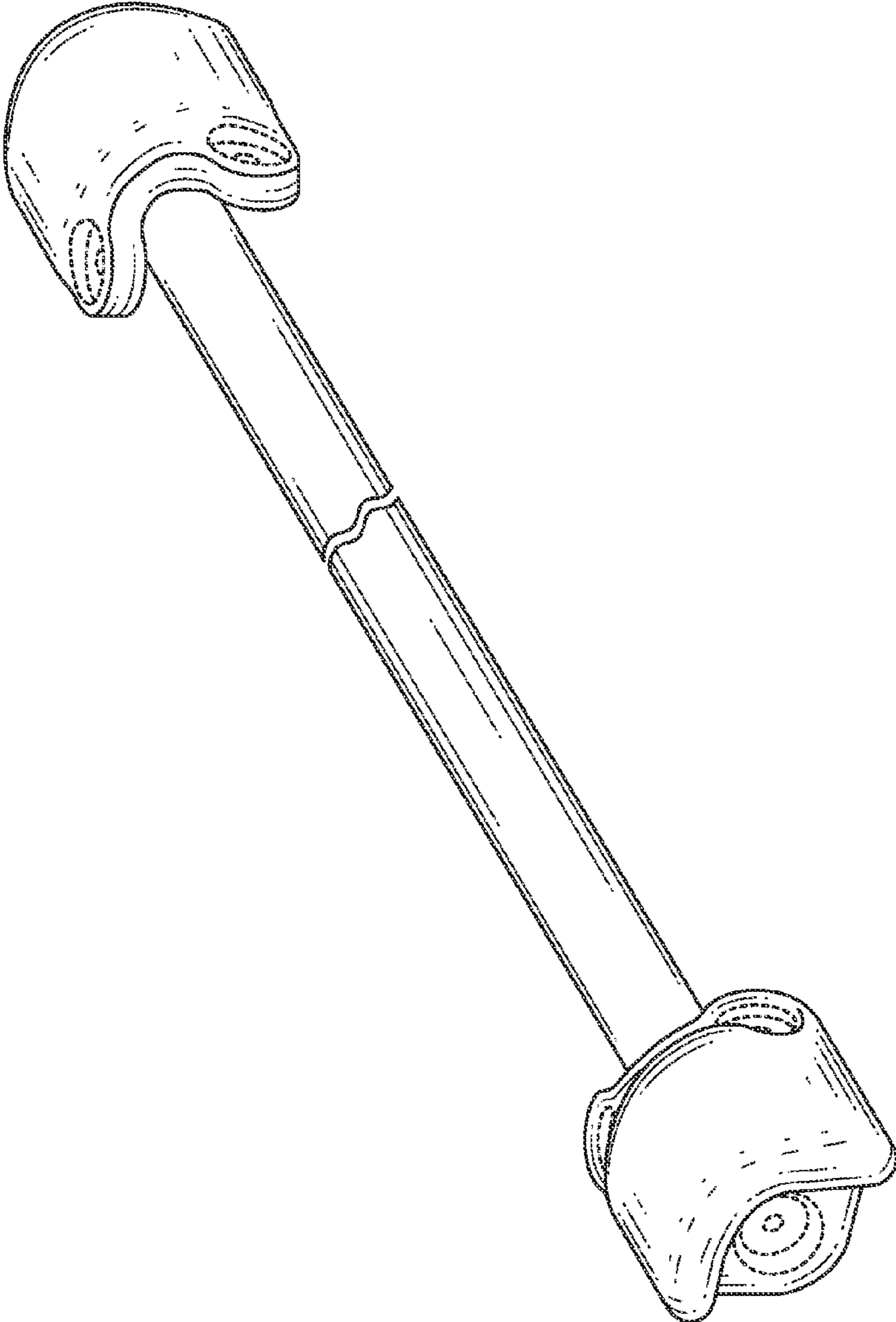


FIG. 2

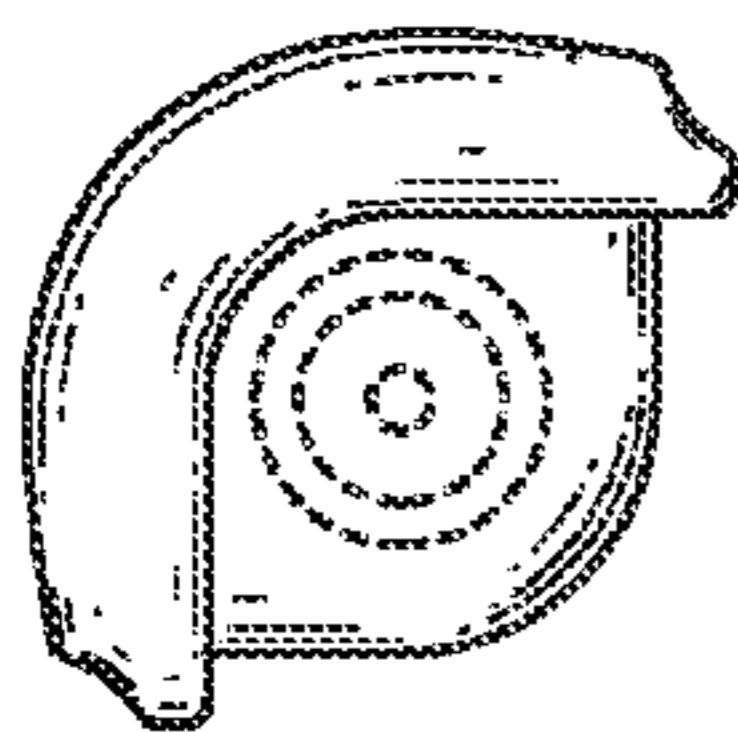


FIG. 3

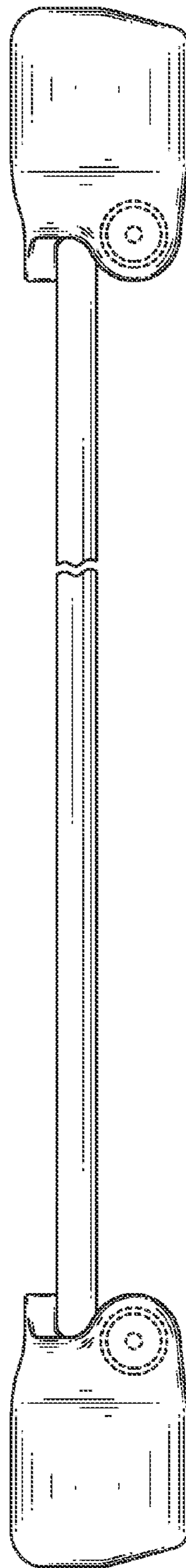


FIG. 4

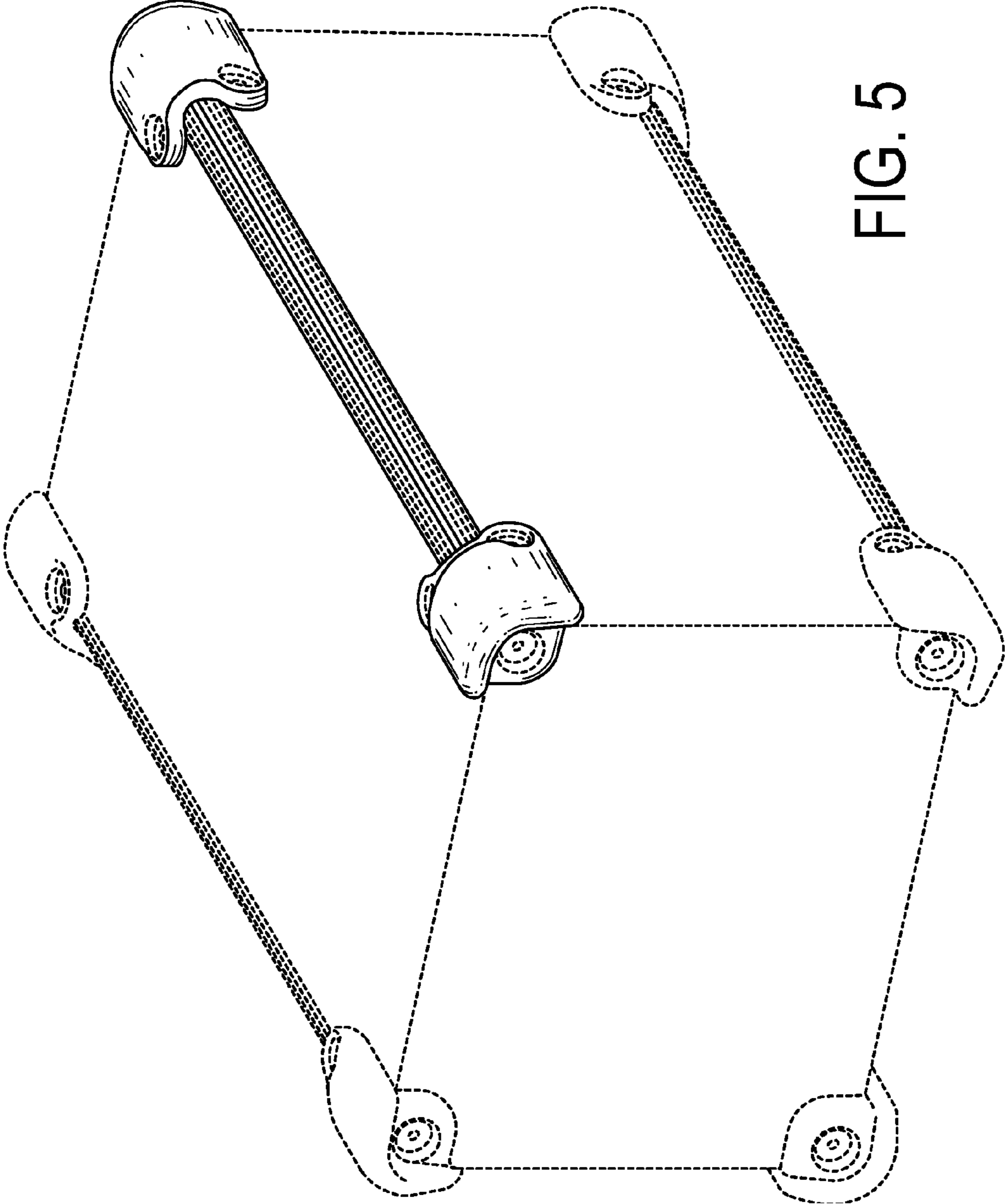


FIG. 5

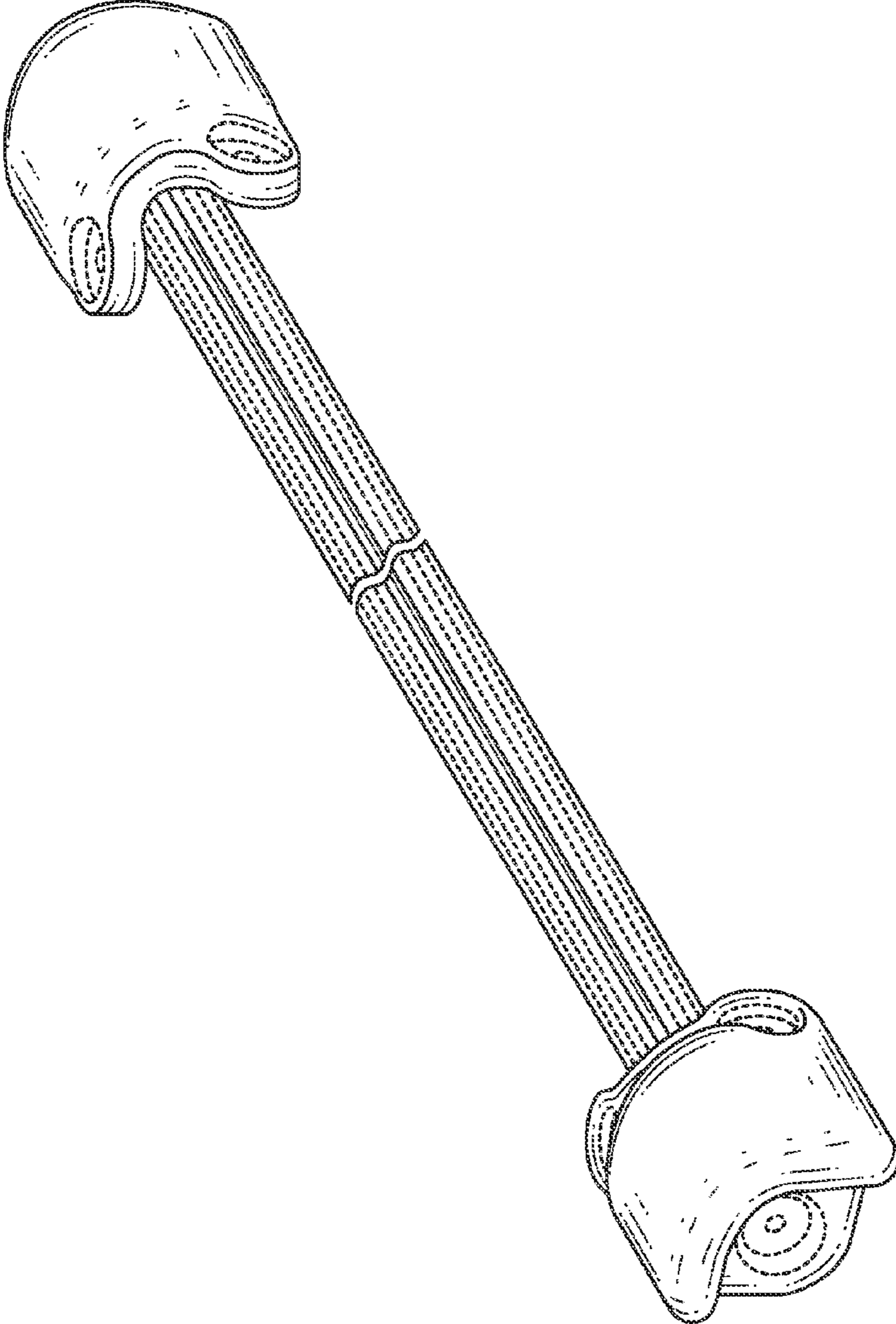


FIG. 6

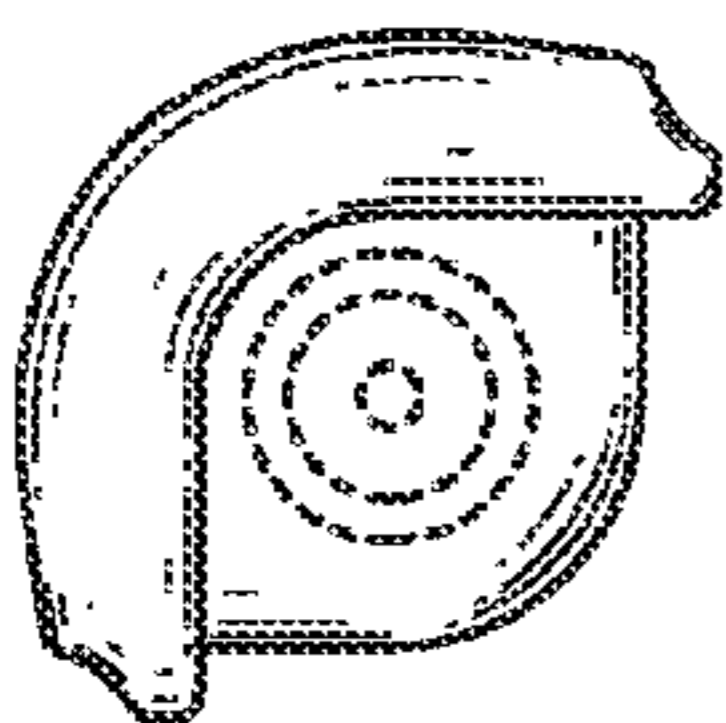


FIG. 7

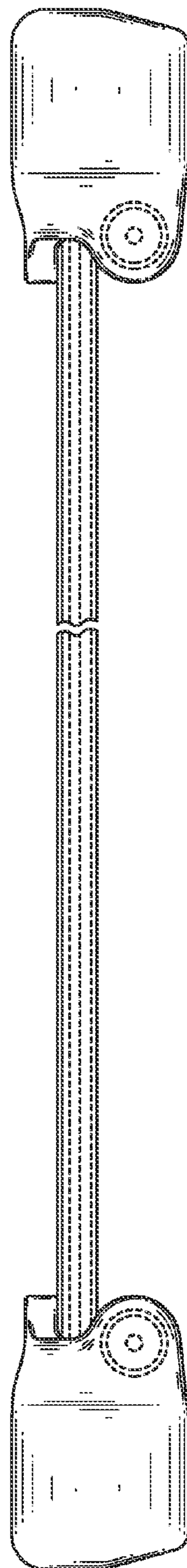


FIG. 8

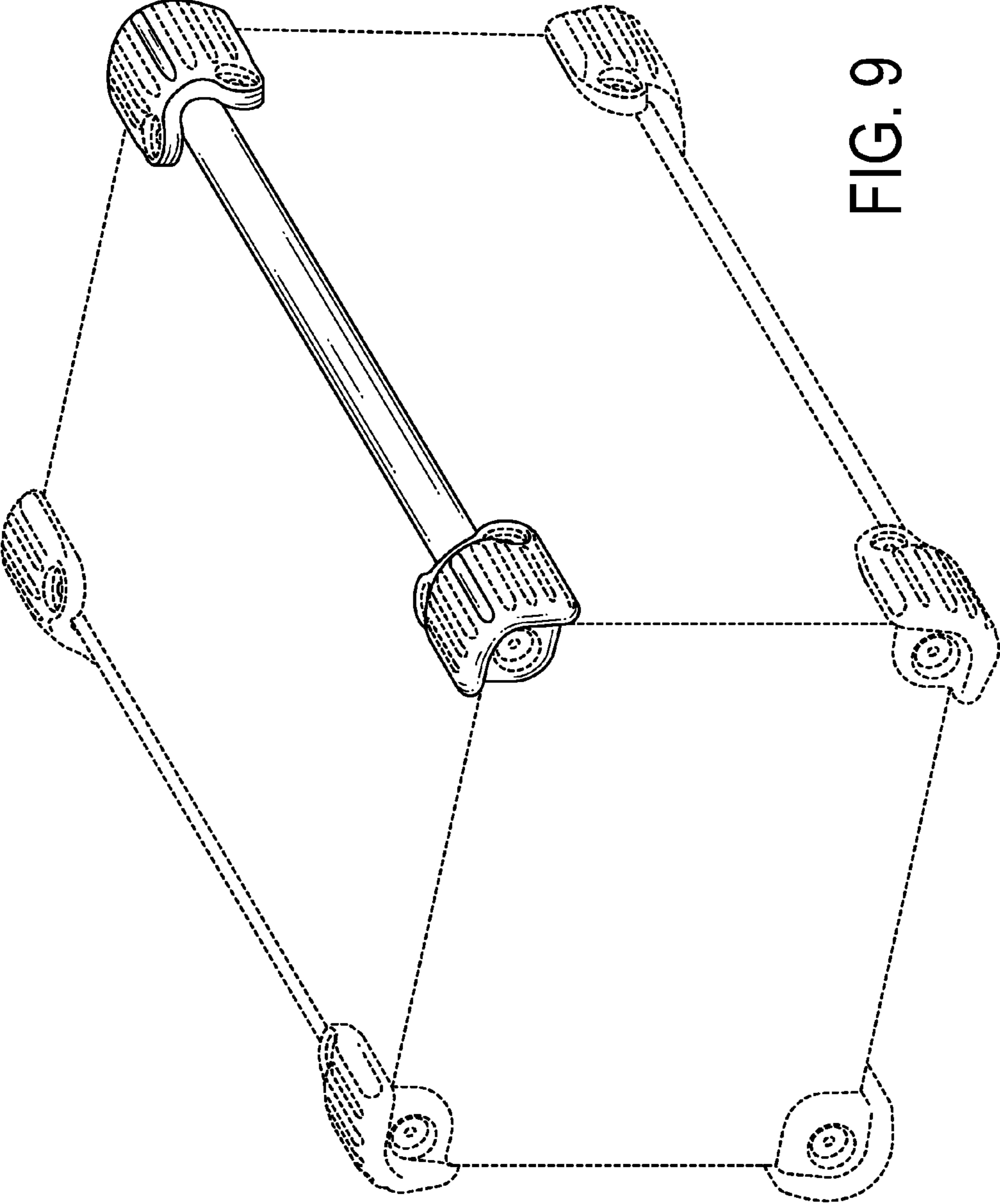


FIG. 9

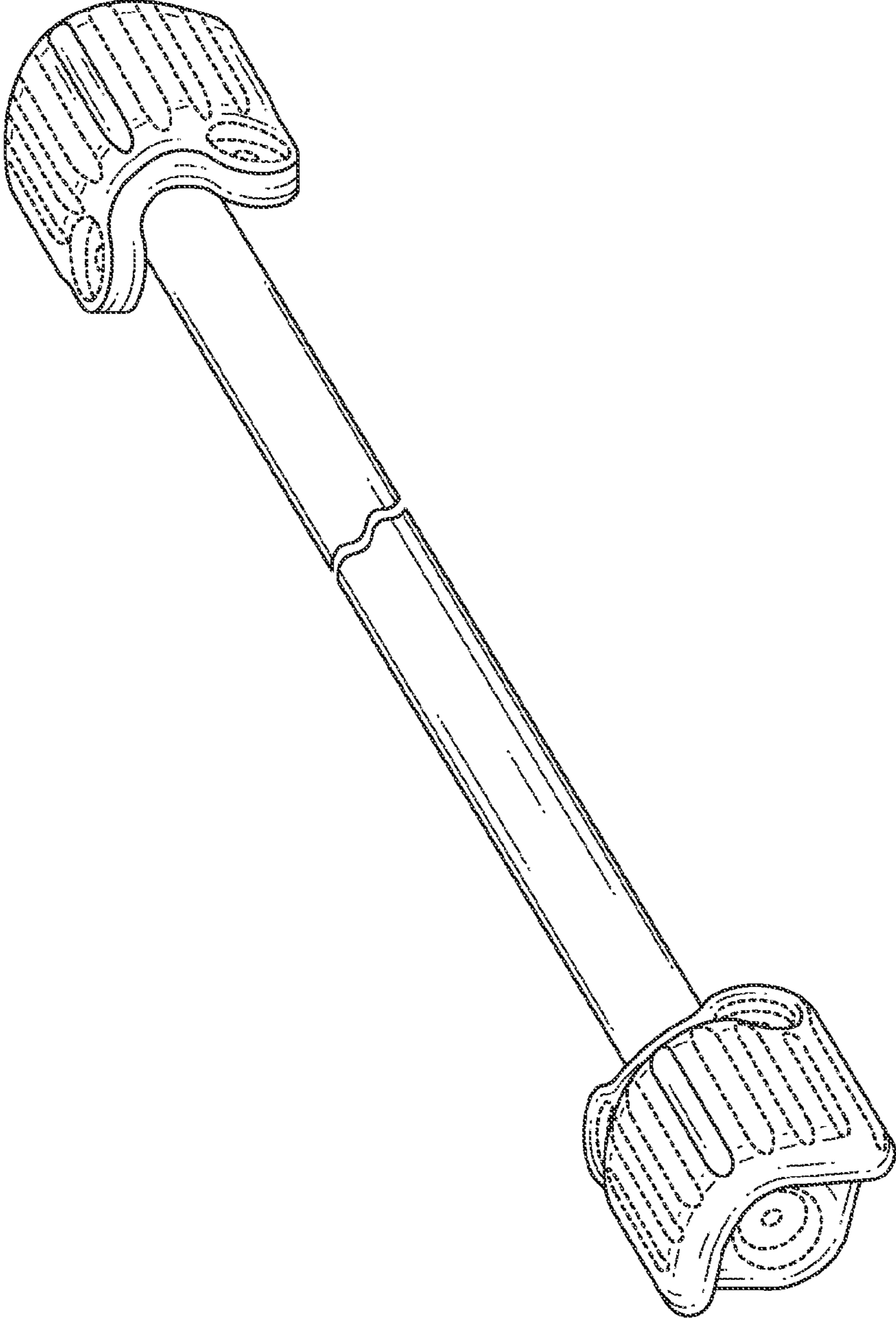


FIG. 10

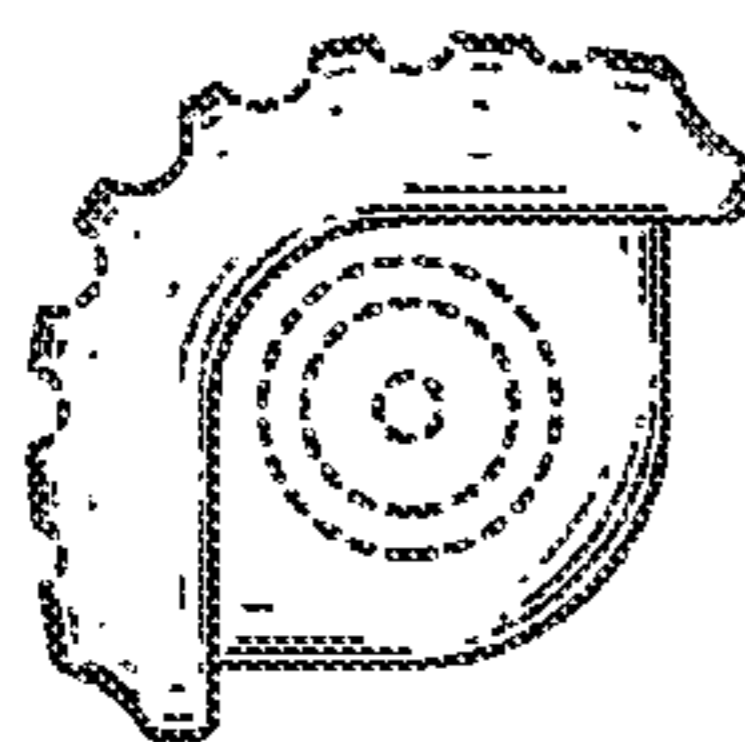


FIG. 11

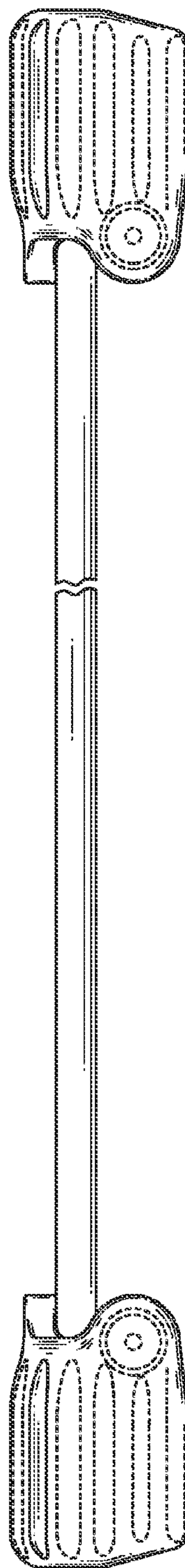


FIG. 12

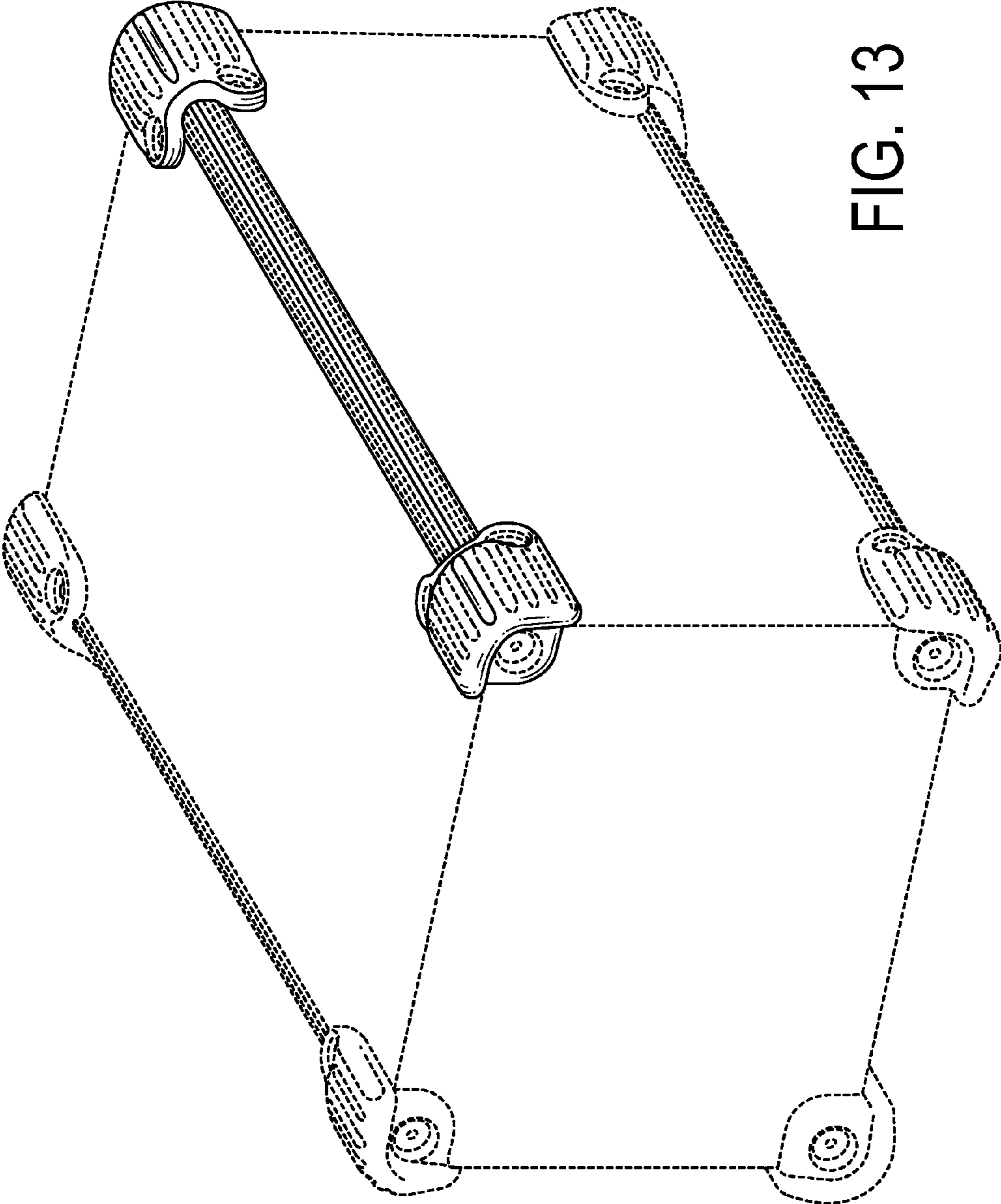


FIG. 13

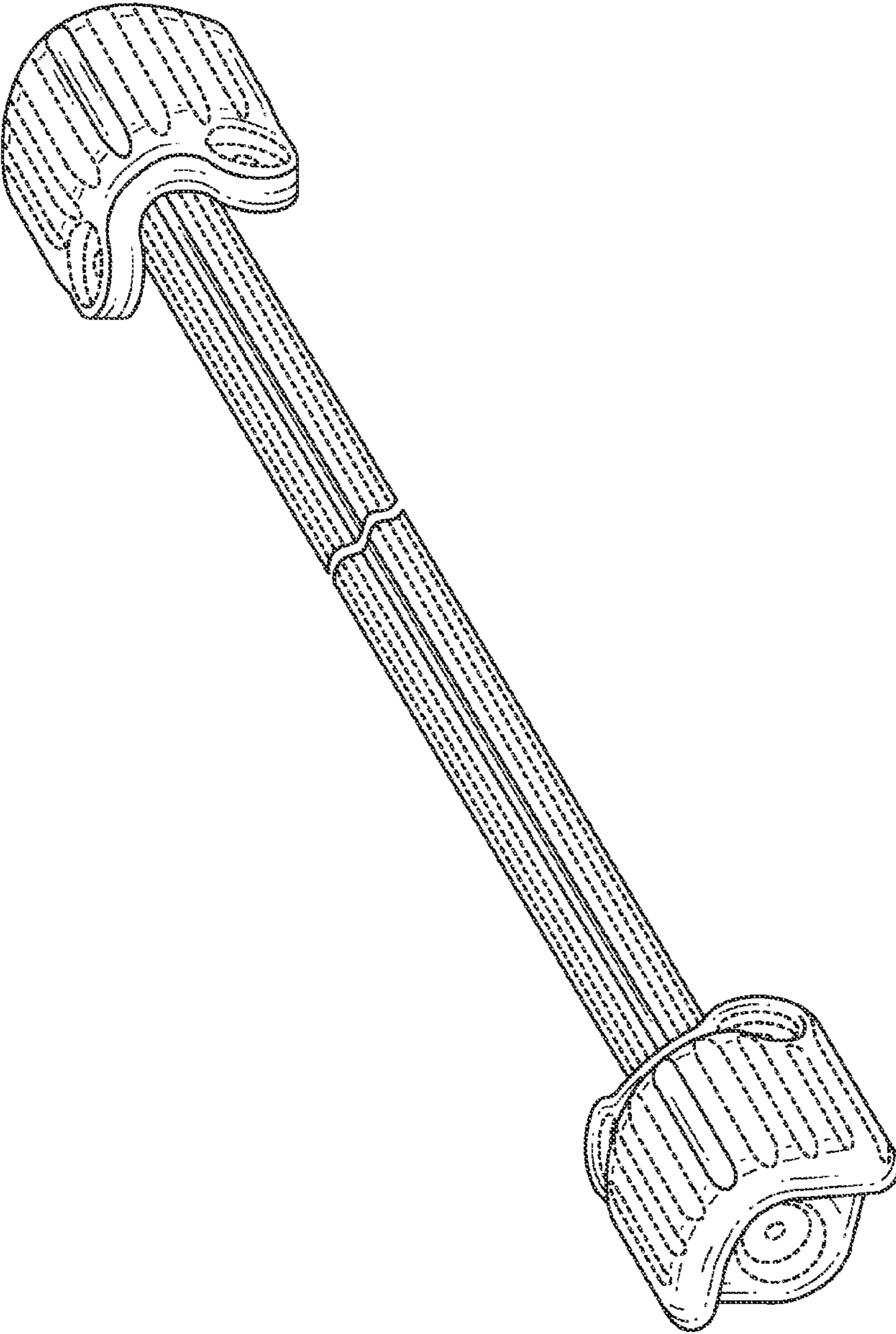


FIG. 14

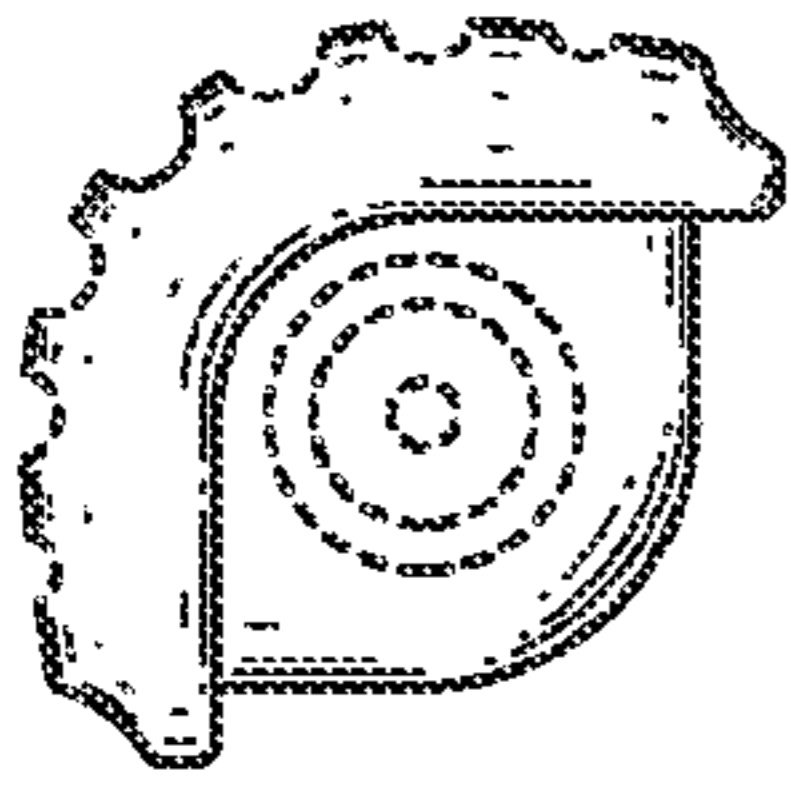


FIG. 15

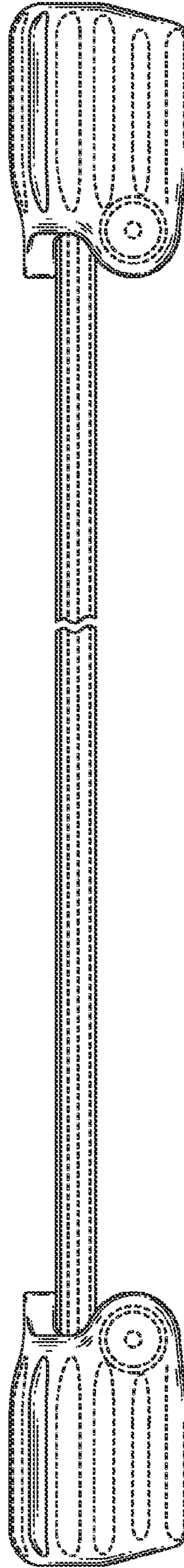


FIG. 16