

US00D640540S

(12) **United States Design Patent**  
**Kindig**

(10) **Patent No.:** **US D640,540 S**  
(45) **Date of Patent:** **\*\* Jun. 28, 2011**

(54) **CORNER CAP ASSEMBLY**  
(75) Inventor: **Michael A. Kindig**, Chagrin Falls, OH  
(US)  
(73) Assignee: **Lincoln Global, Inc.**, City of Industry,  
CA (US)

D431,772 S \* 10/2000 Tsui ..... D8/403  
6,125,488 A 10/2000 Vogland  
6,354,049 B1 3/2002 Bennett  
6,419,331 B2 7/2002 Wei  
6,470,637 B2 \* 10/2002 Gratz ..... 52/287.1  
6,502,358 B2 \* 1/2003 Smythe, Jr. .... 52/287.1  
D499,883 S \* 12/2004 Perella et al. .... D3/276

(Continued)

(\*\*) Term: **14 Years**  
(21) Appl. No.: **29/358,962**  
(22) Filed: **Apr. 2, 2010**

**OTHER PUBLICATIONS**

ESAB AB, Aristo(TM) Mig U4000i/U5000i, [http://www.esab.com.ar/ar/sp/productos/upload/AristoMig\\_U5000\\_4000i.pdf](http://www.esab.com.ar/ar/sp/productos/upload/AristoMig_U5000_4000i.pdf), Nov. 7, 2006 (printed on Aug. 12, 2008), 2 pages.

(Continued)

**Related U.S. Application Data**

(62) Division of application No. 29/318,547, filed on May 22, 2008, now Pat. No. Des. 628,879.  
(51) **LOC (9) Cl.** ..... **08-05**  
(52) **U.S. Cl.** ..... **D8/403**  
(58) **Field of Classification Search** ..... D8/400-499;  
D25/199; D24/227, 229; 54/24, 26; 428/99,  
428/199; 229/199; 206/453, 586, 557-567  
See application file for complete search history.

*Primary Examiner* — Cathron Brooks  
*Assistant Examiner* — Barbara Fox  
(74) *Attorney, Agent, or Firm* — Hahn Loeser & Parks, LLP;  
Keith J. Marcinowski

(57) **CLAIM**  
The ornamental design for a corner cap assembly, as shown and described.

**DESCRIPTION**

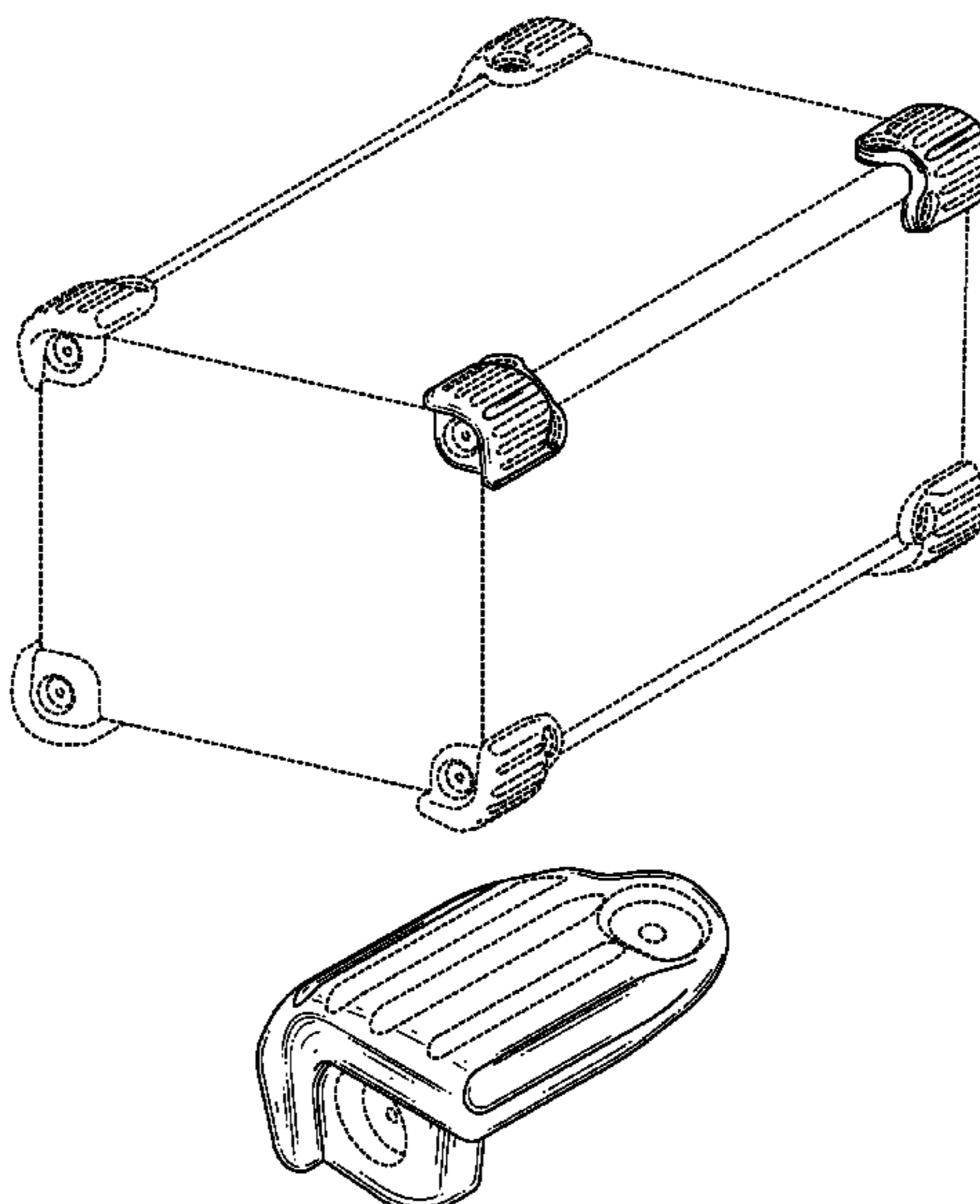
(56) **References Cited**

**U.S. PATENT DOCUMENTS**

1,981,494	A	11/1934	Hans	
2,264,401	A	12/1941	Page	
3,030,728	A *	4/1962	Wesman	248/345.1
3,047,142	A *	7/1962	Heffley	206/453
3,836,043	A	9/1974	Levin	
D246,625	S	12/1977	Becker, III	
4,430,833	A	2/1984	Balzer	
4,706,426	A	11/1987	Rumsey	
4,768,845	A	9/1988	Yeh	
4,817,902	A	4/1989	Mason	
5,000,301	A	3/1991	Grenier	
5,065,972	A *	11/1991	Buckshaw et al.	248/345.1
5,299,685	A	4/1994	Chin	
5,503,471	A	4/1996	Aspenwall	
5,647,182	A	7/1997	Rutherford	
D412,436	S	8/1999	Tsui	

FIG. 1 is a perspective view of corner cap assembly showing the new design, shown attached to a box environment;  
FIG. 2 is a perspective view of a single corner cap, shown separately and enlarged for completeness of illustration;  
FIG. 3 is a further perspective view of the corner cap of FIG. 2;  
FIG. 4 is a left top side view of the corner cap of FIG. 2, the right top side view of which is a mirror image thereof;  
FIG. 5 is a first end view of the corner cap of FIG. 2; and,  
FIG. 6 is a second end view of the corner cap of FIG. 2.  
The broken lines shown in the drawings illustrate unclaimed portions of the corner cap assembly and environmental structure, and form no part of the claimed design.

**1 Claim, 3 Drawing Sheets**



# US D640,540 S

Page 2

---

## U.S. PATENT DOCUMENTS

6,881,469 B2 4/2005 Hightower  
D528,795 S \* 9/2006 Perella et al. .... D3/297  
7,168,208 B2 1/2007 Ward  
D549,447 S \* 8/2007 Perella et al. .... D3/206  
D563,692 S \* 3/2008 DeCarlo et al. .... D6/448  
D574,655 S \* 8/2008 Perella et al. .... D6/634  
D578,819 S \* 10/2008 Perella et al. .... D6/632  
D622,137 S \* 8/2010 Turnbull ..... D8/403

2008/0066404 A1 3/2008 Beard  
2009/0266739 A1 10/2009 Kindig  
2009/0269131 A1 10/2009 Kindig et al.

## OTHER PUBLICATIONS

Migatronix, Sigma 300/400/500 Professional Welding-Surprisingly Simple, [http://www.migatronix.com/media/leafletsuk/52170032a\\_sigma.pdf](http://www.migatronix.com/media/leafletsuk/52170032a_sigma.pdf), printed on Aug. 12, 2008, 8 pages.

\* cited by examiner

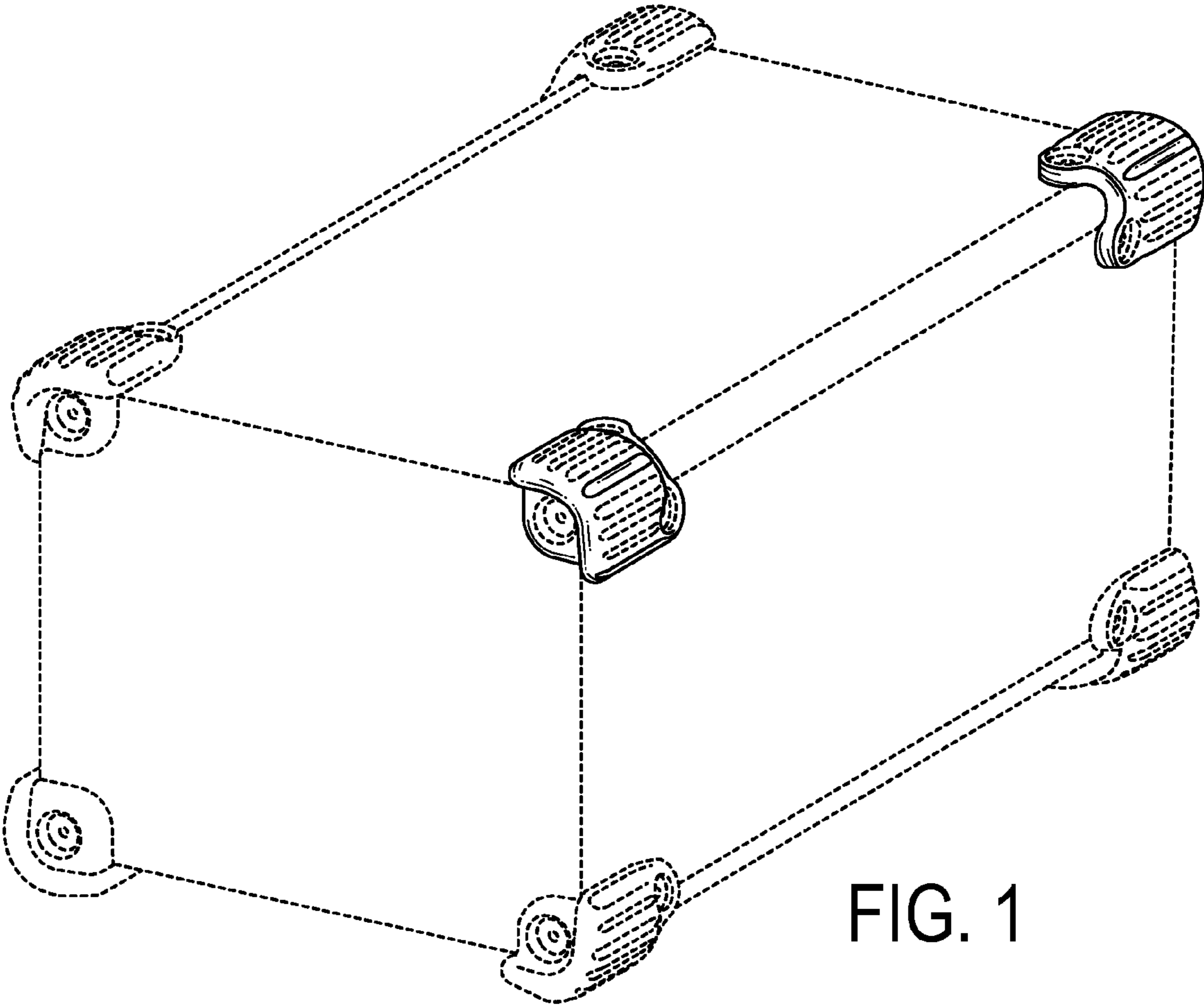


FIG. 1

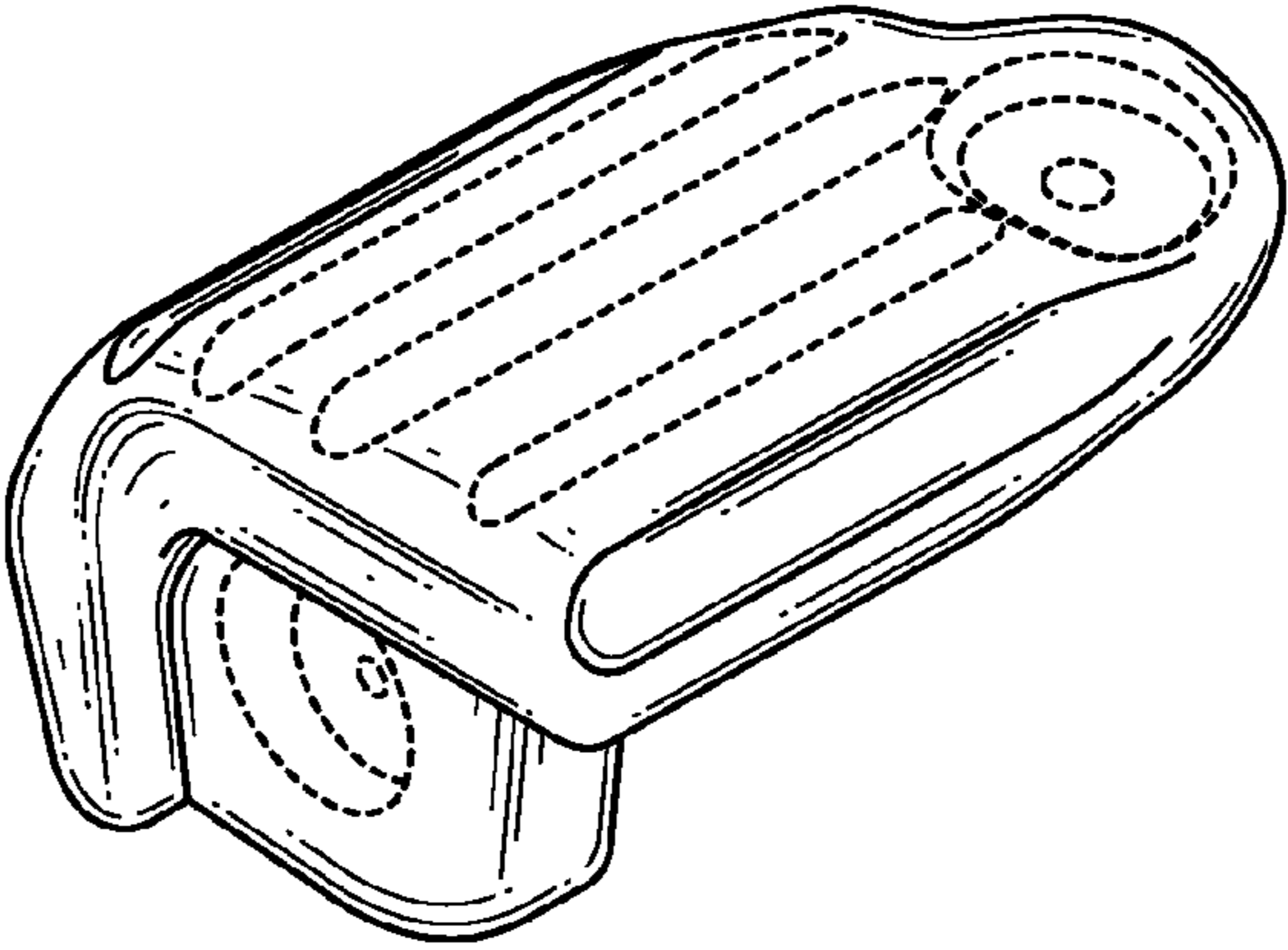


FIG. 2

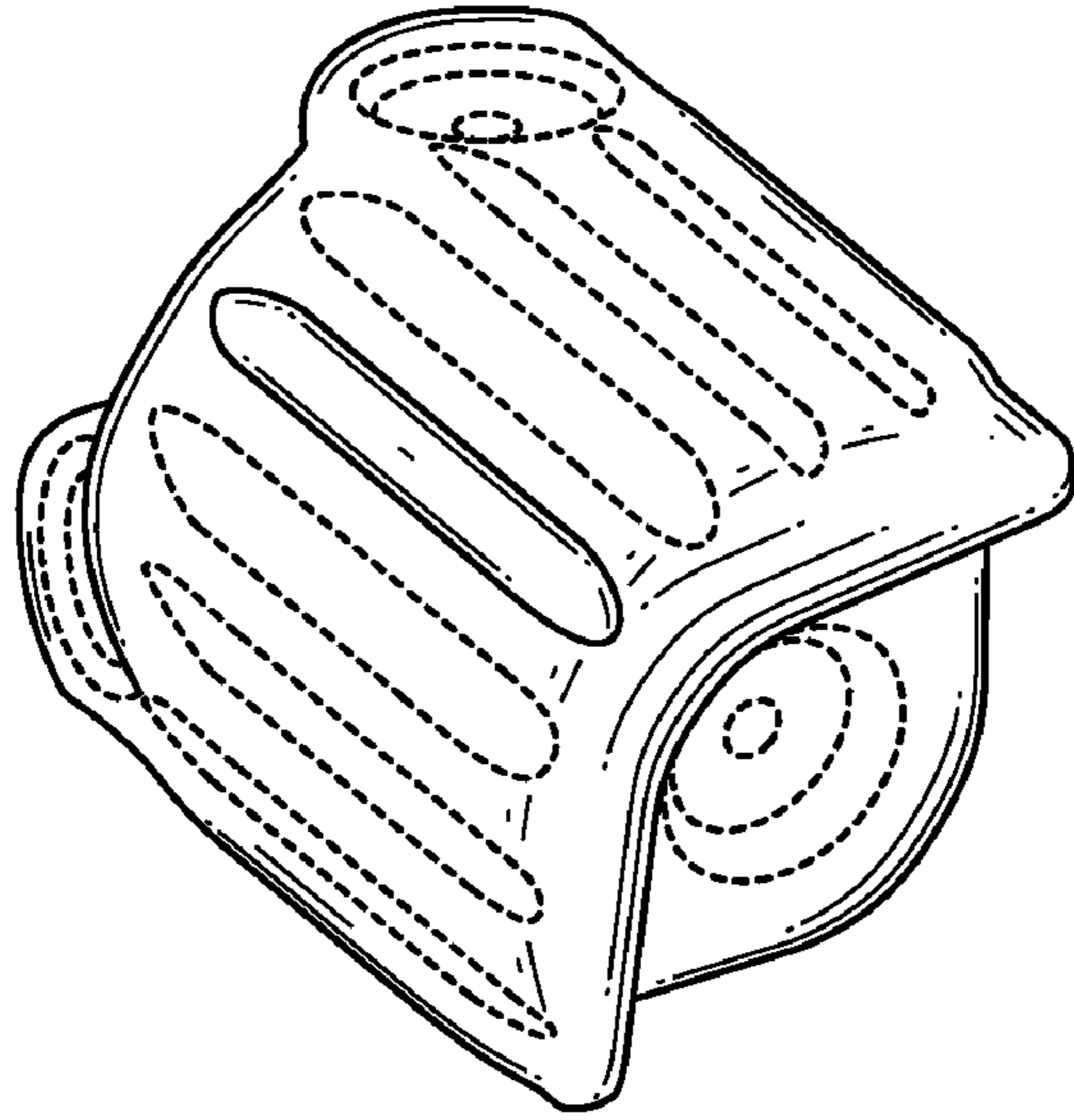


FIG. 3

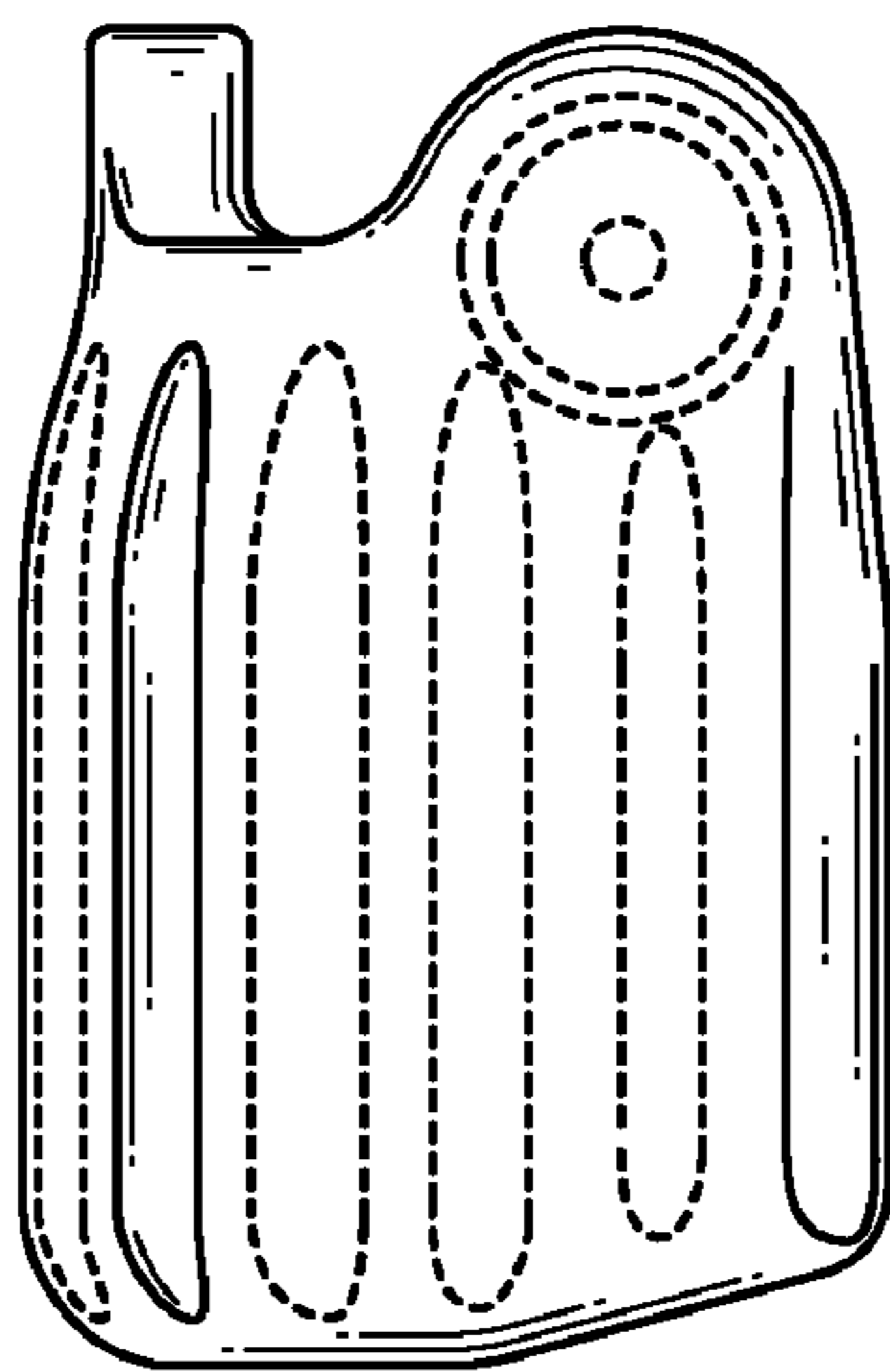


FIG. 4

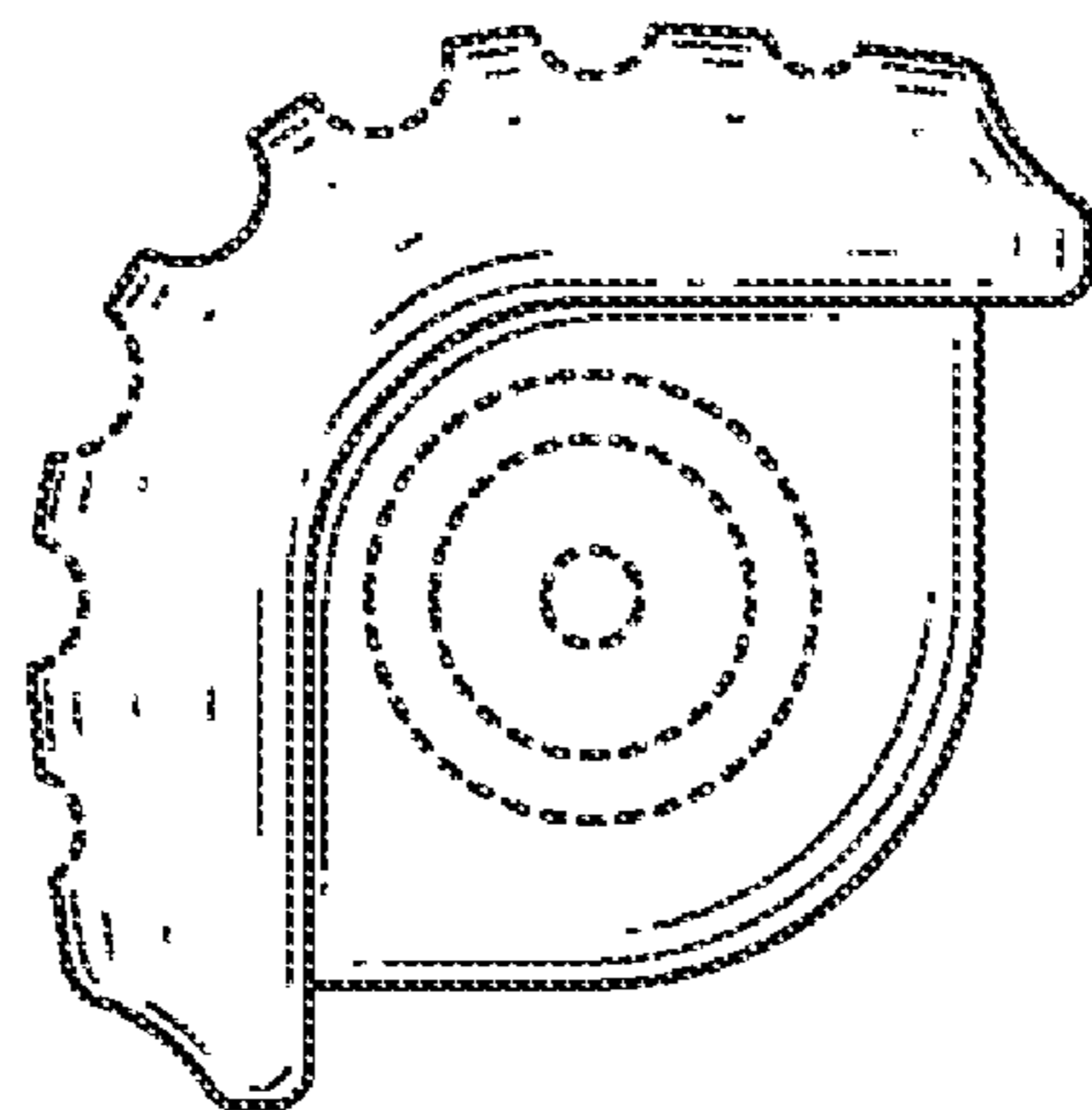


FIG. 5

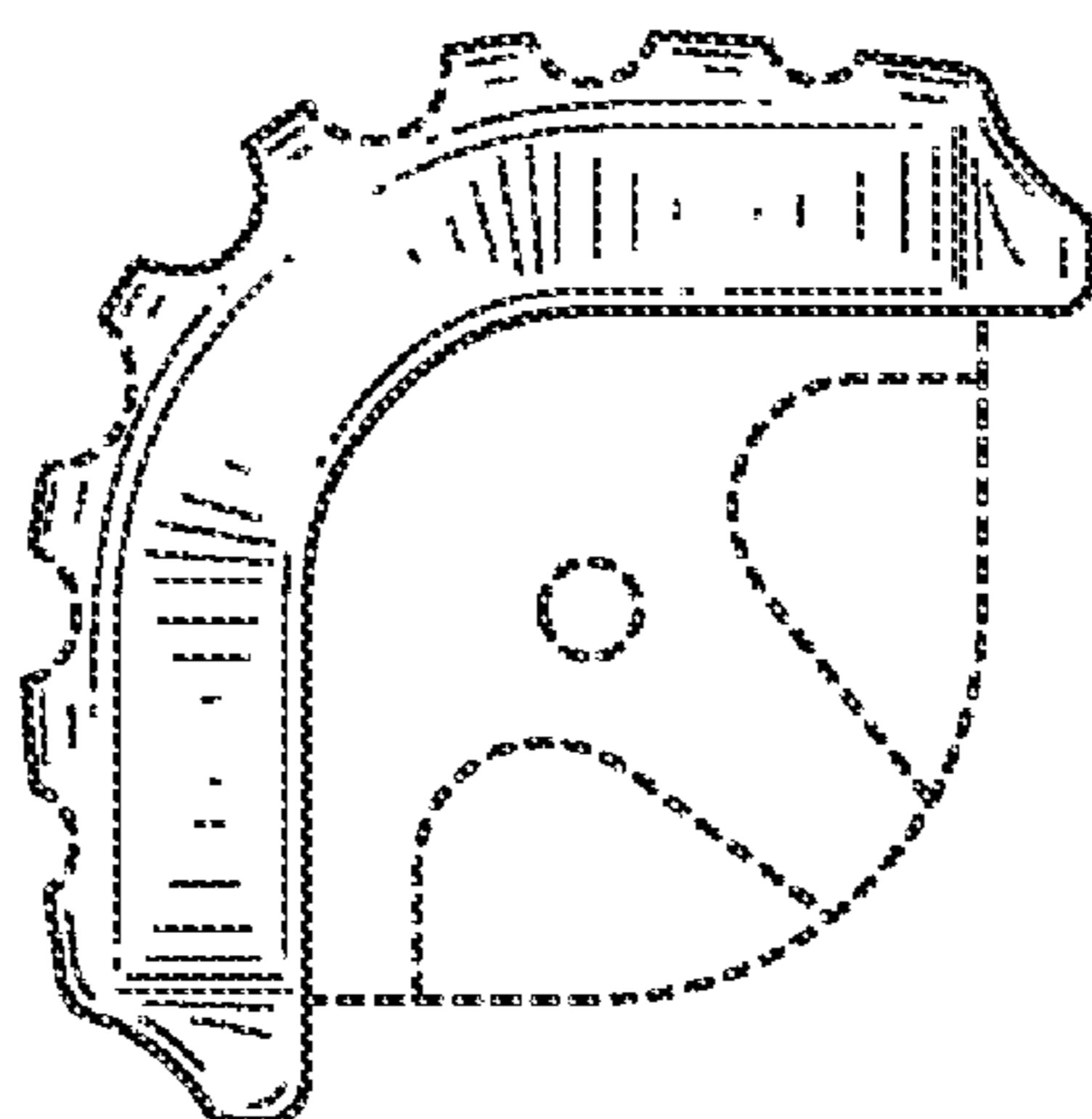


FIG. 6