



US00D640537S

(12) **United States Design Patent**
Parks et al.

(10) **Patent No.:** **US D640,537 S**

(45) **Date of Patent:** **** Jun. 28, 2011**

(54) **LINE CLAMP**

(75) Inventors: **Robert Parks**, Pittsburgh, PA (US);
Matthew Cimbala, Saxonburg, PA (US);
Joy Cottrill, Verona, PA (US);
Steven Day, Zelienople, PA (US); **Ryan Kaintz**, Pittsburgh, PA (US); **Regis J. Nero, Jr.**, Export, PA (US); **Jeffrey Allan Gibala**, North Huntingdon, PA (US)

(73) Assignee: **Tollgrade Communications, Inc.**,
Wilmington, DE (US)

(**) Term: **14 Years**

(21) Appl. No.: **29/368,446**

(22) Filed: **Aug. 24, 2010**

Related U.S. Application Data

(62) Division of application No. 29/317,219, filed on Apr. 24, 2008, now Pat. No. Des. 622,583.

(51) **LOC (9) Cl.** **08-08**

(52) **U.S. Cl.** **D8/396**

(58) **Field of Classification Search** D8/354-356,
D8/371, 376, 394-396, 382, 380; 24/16 R,
24/279; 248/49, 61, 62, 63, 74.1-74.4, 73;
294/116

See application file for complete search history.

(56) **References Cited**

U.S. PATENT DOCUMENTS

D203,295	S	*	12/1965	Wells	D8/396
3,860,351	A	*	1/1975	Weiss et al.	403/218
5,007,855	A	*	4/1991	O'Brien et al.	439/411
5,199,899	A	*	4/1993	Ittah	439/403
5,567,173	A	*	10/1996	Franckx	439/418
D381,113	S	*	7/1997	Safyan	D26/140

5,733,139	A	*	3/1998	Bray et al.	439/402
5,888,090	A	*	3/1999	Achee	439/417
D492,965	S	*	7/2004	Hsu	D19/90
6,827,600	B2	*	12/2004	Negishi et al.	439/404
D538,143	S	*	3/2007	Pu et al.	D8/394

* cited by examiner

Primary Examiner — Celia Murphy

Assistant Examiner — John Windmuller

(74) *Attorney, Agent, or Firm* — The Webb Law Firm

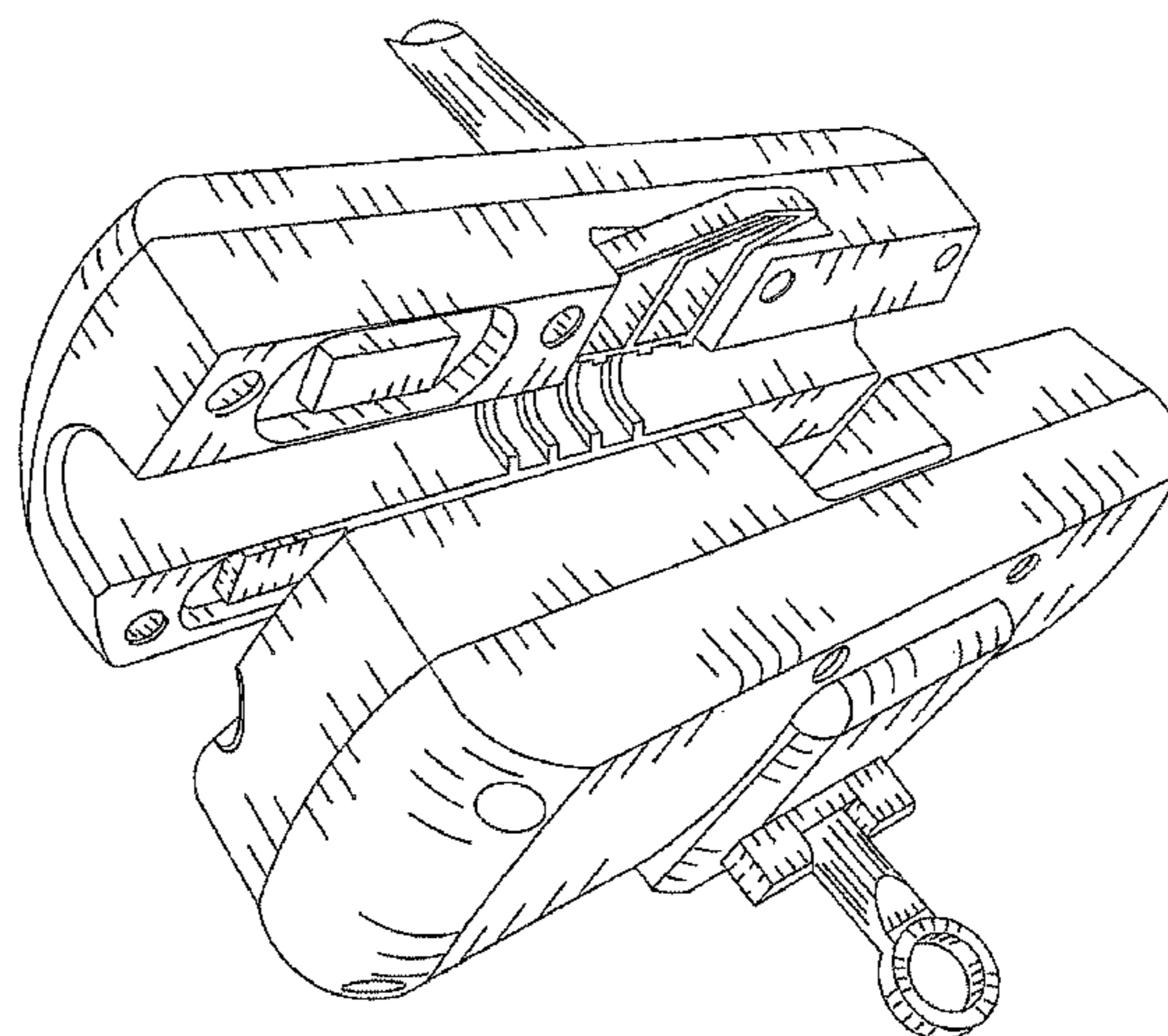
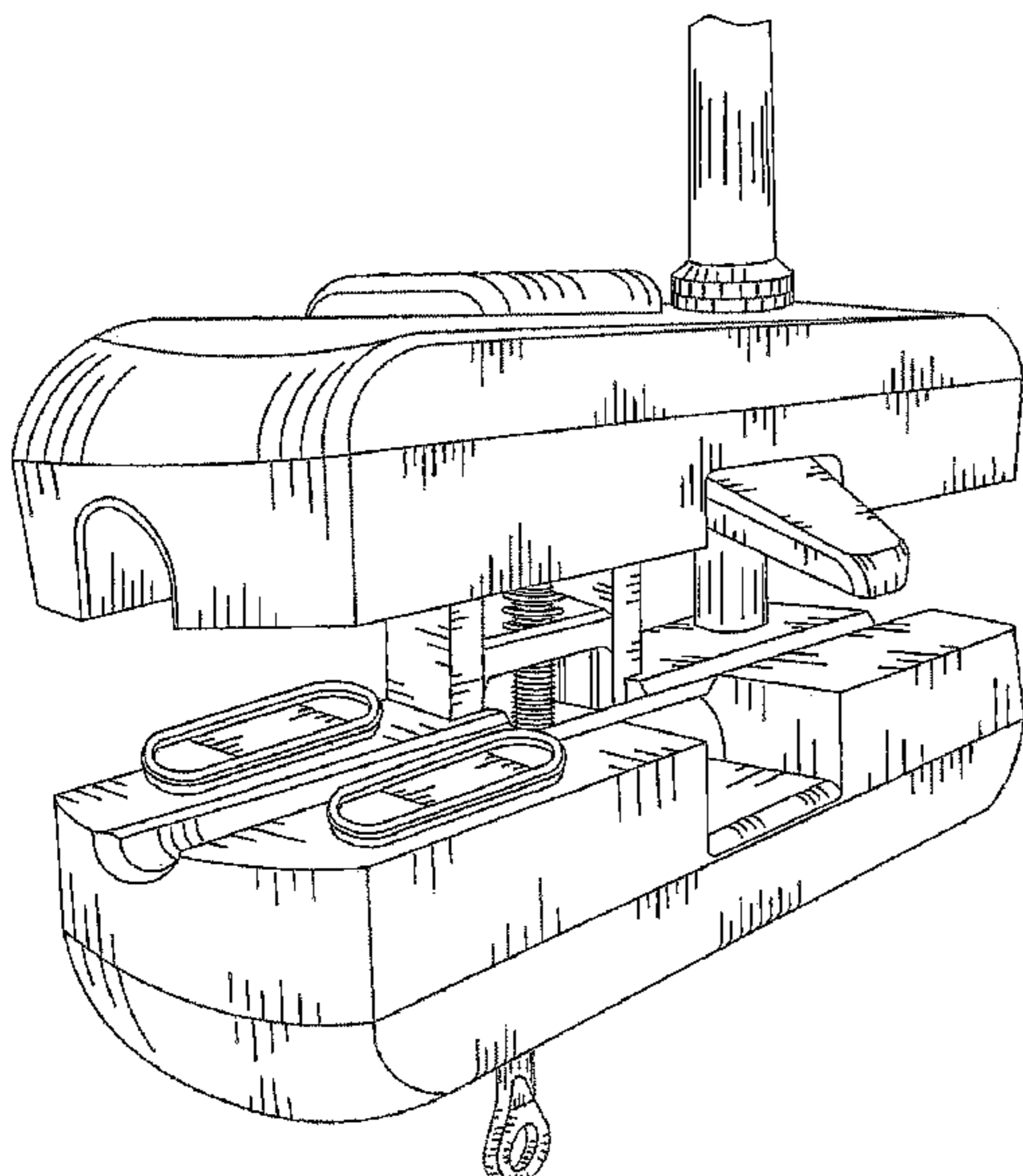
(57) **CLAIM**

The ornamental design for a line clamp, as shown and described.

DESCRIPTION

FIG. 1 is an elevated front perspective view of a line clamp in accordance with the present invention in an open state;
 FIG. 2 is an elevated front perspective view of the line clamp in a closed state clamped about a power line shown in phantom;
 FIG. 3 is an elevated back perspective view of the line clamp in an open state received on a power line shown in phantom;
 FIG. 4 is an elevated back perspective view of the line clamp in a closed state clamped about the power line;
 FIG. 5 is a lower front perspective view of the line clamp in an open state;
 FIG. 6 is a top view of the line clamp;
 FIG. 7 is a bottom view of the line clamp;
 FIG. 8 is a front view of the line clamp in an open state;
 FIG. 9 is a front view of the line clamp in a closed state;
 FIG. 10 is a back view of the line clamp in an open state;
 FIG. 11 is a back view of the line clamp in a closed state;
 FIG. 12 is a right side view of the line clamp in an open state;
 FIG. 13 is a right side view of the line clamp in a closed state;
 FIG. 14 is a left side view of the line clamp in an open state;
 and,
 FIG. 15 is a left side view of the line clamp in a closed state.

1 Claim, 15 Drawing Sheets



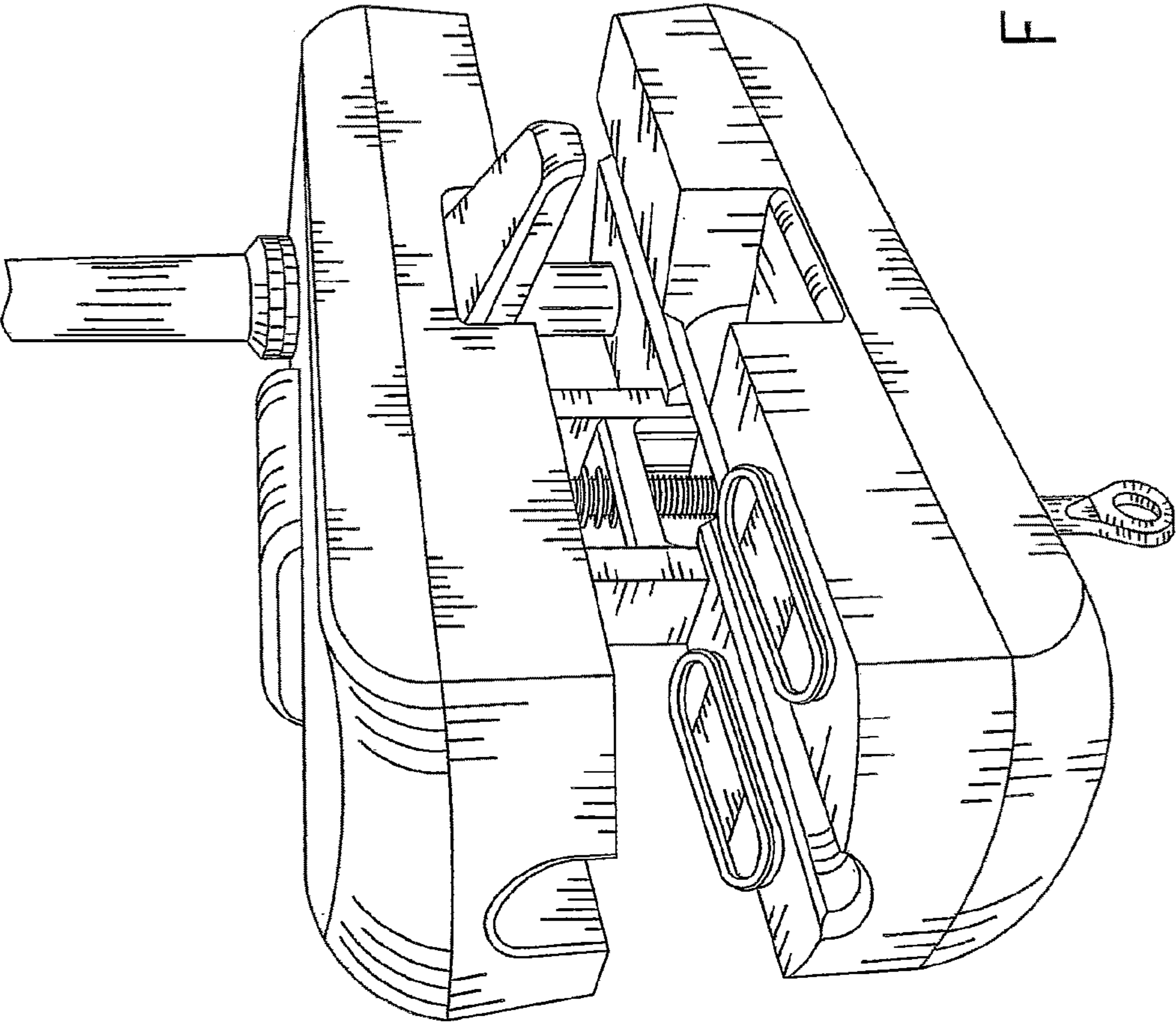


FIG. 1

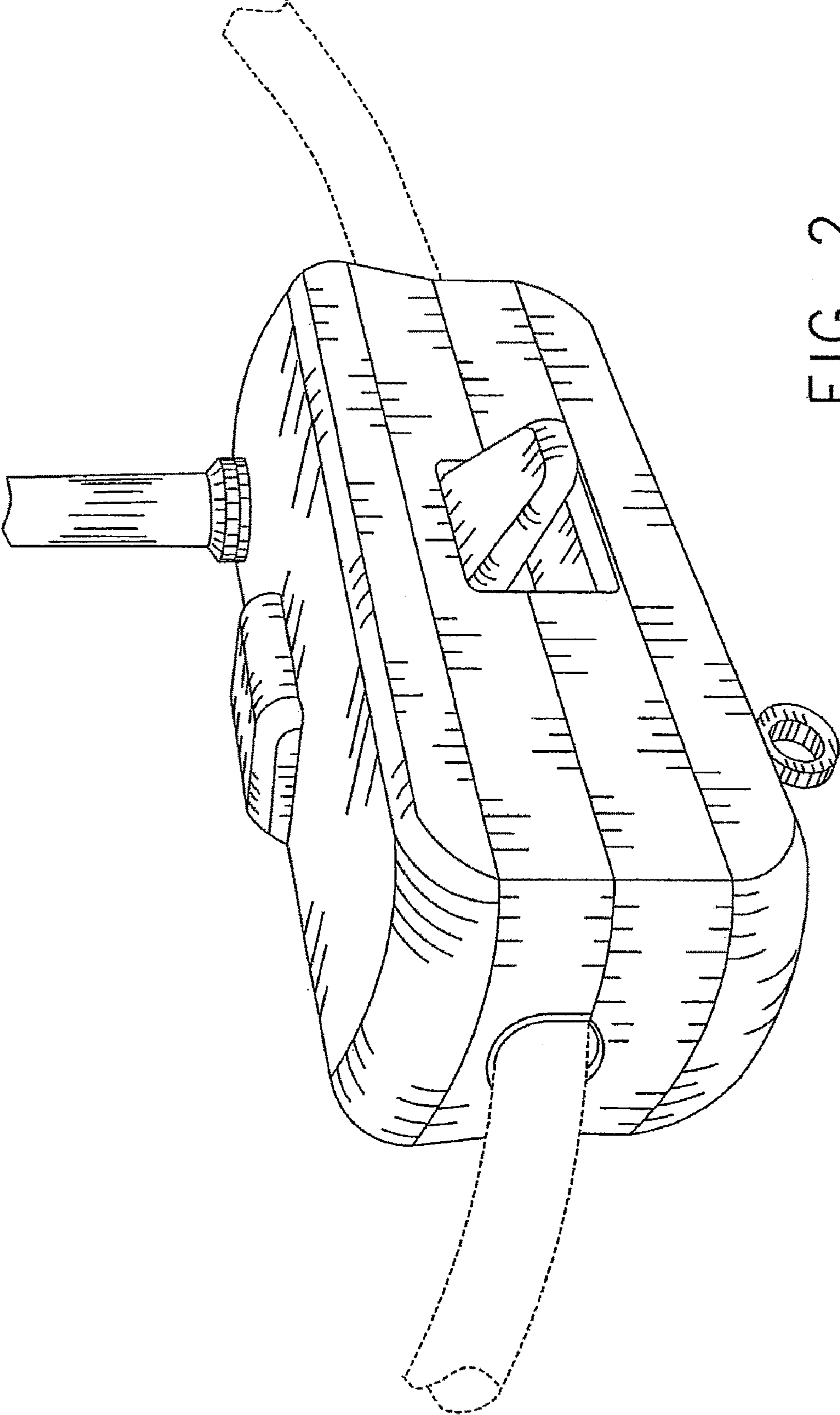


FIG. 2

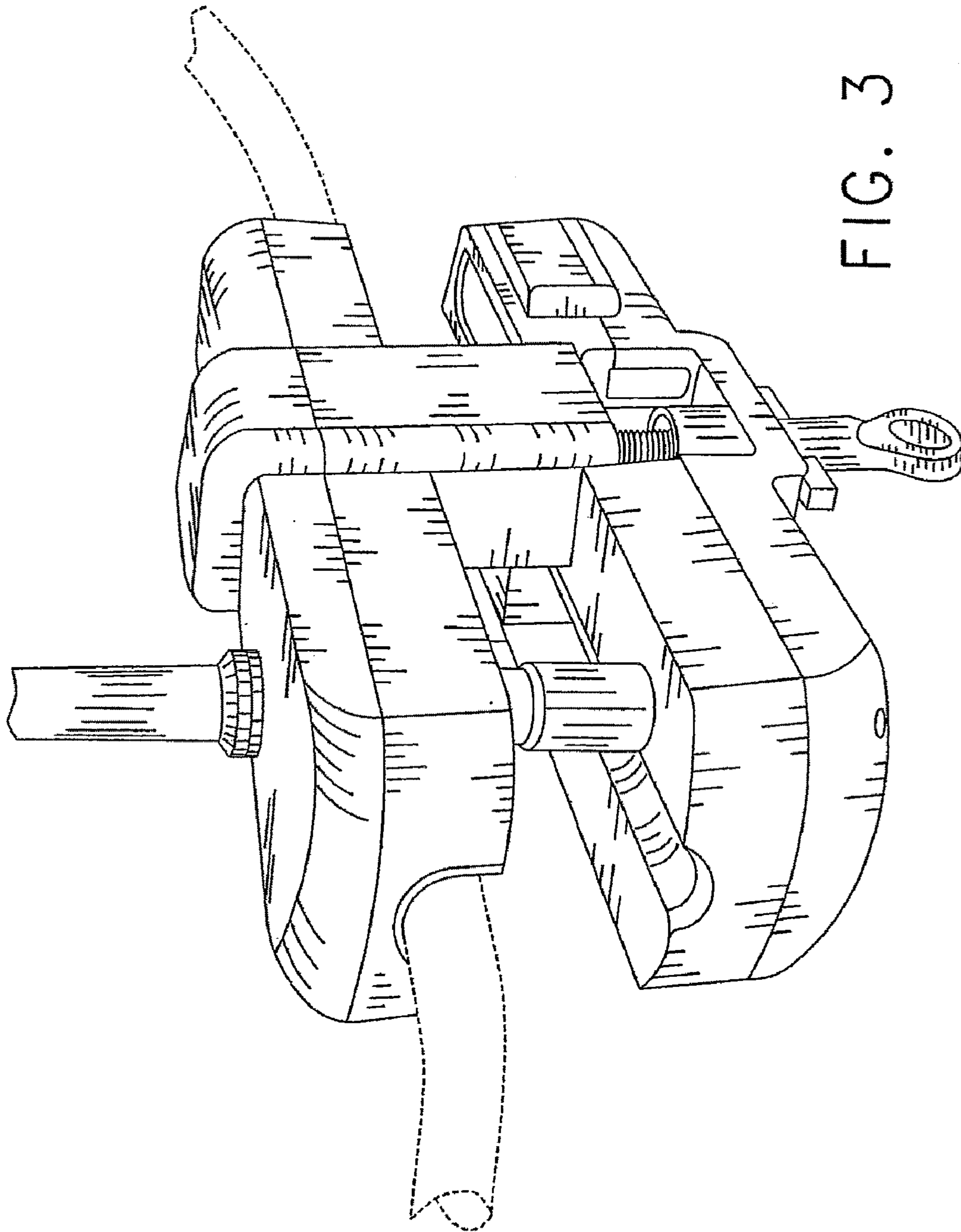


FIG. 3

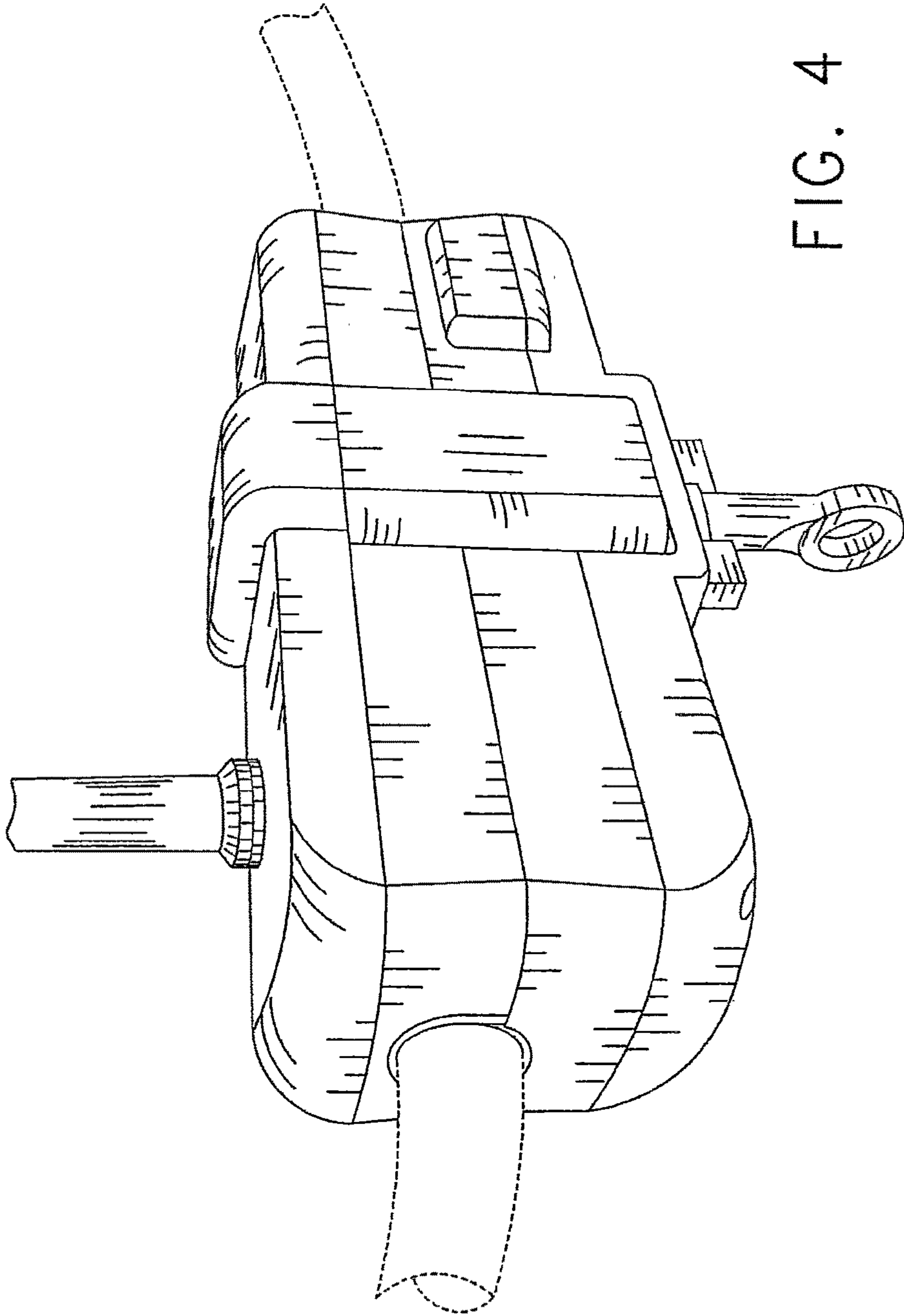


FIG. 4

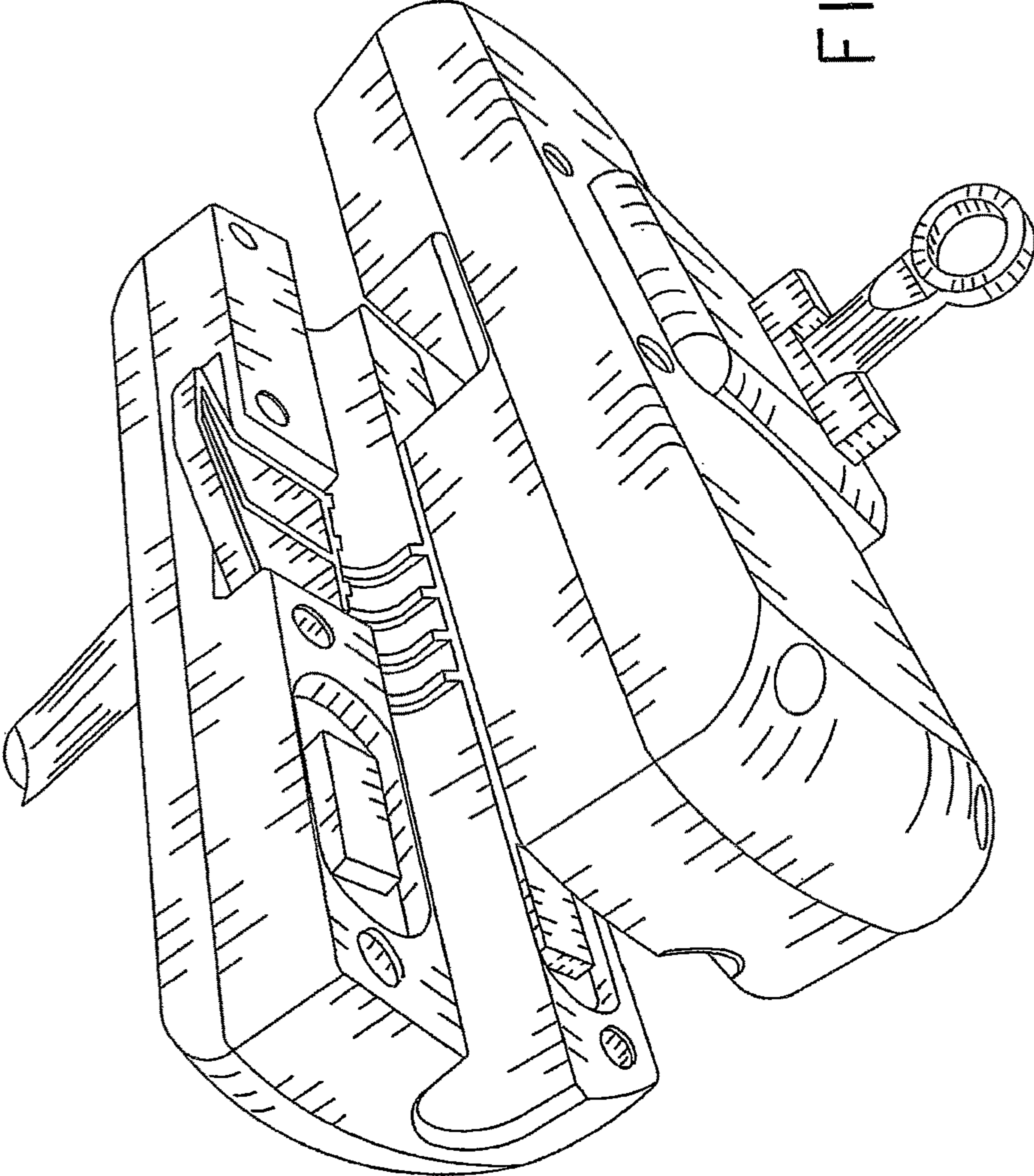


FIG. 5

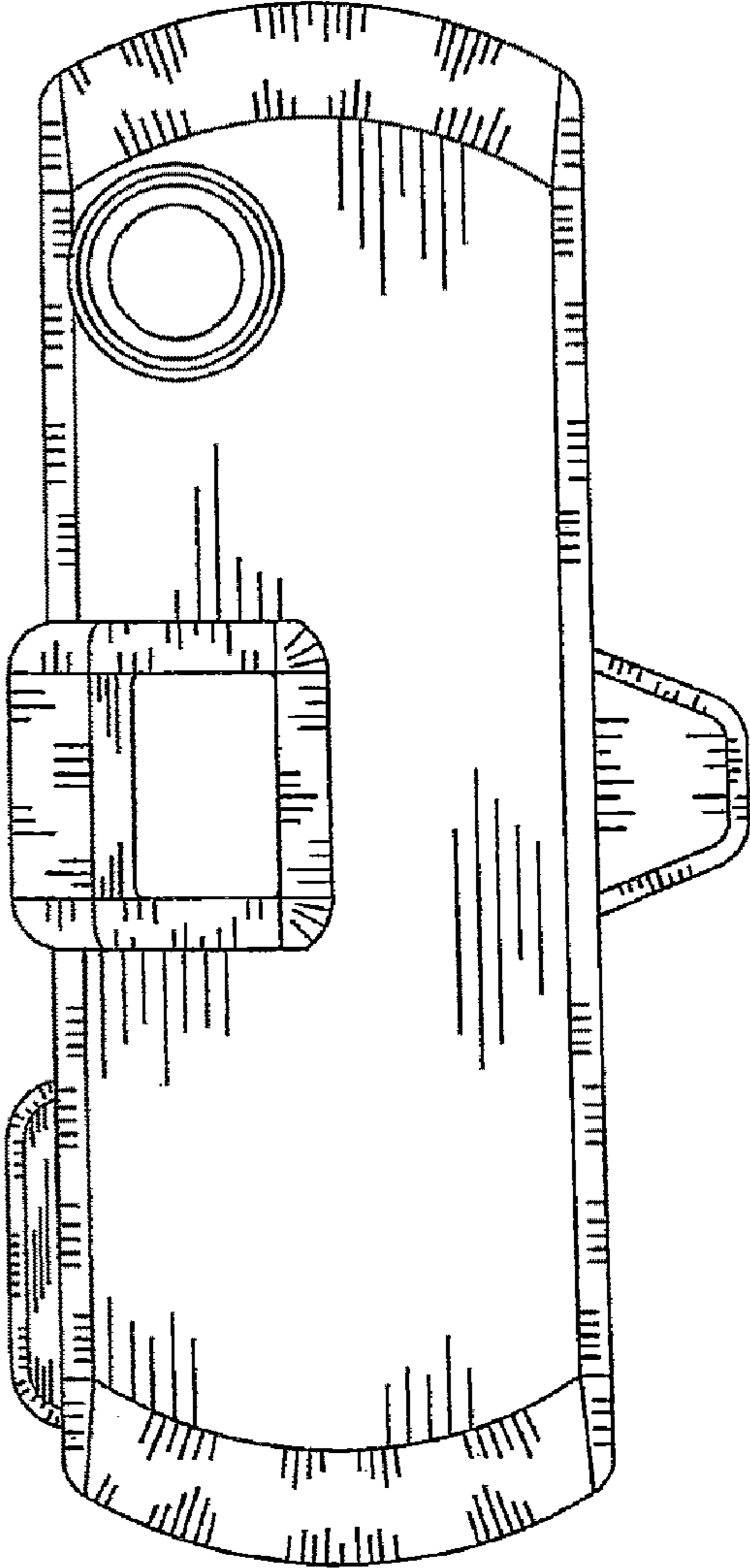


FIG. 6

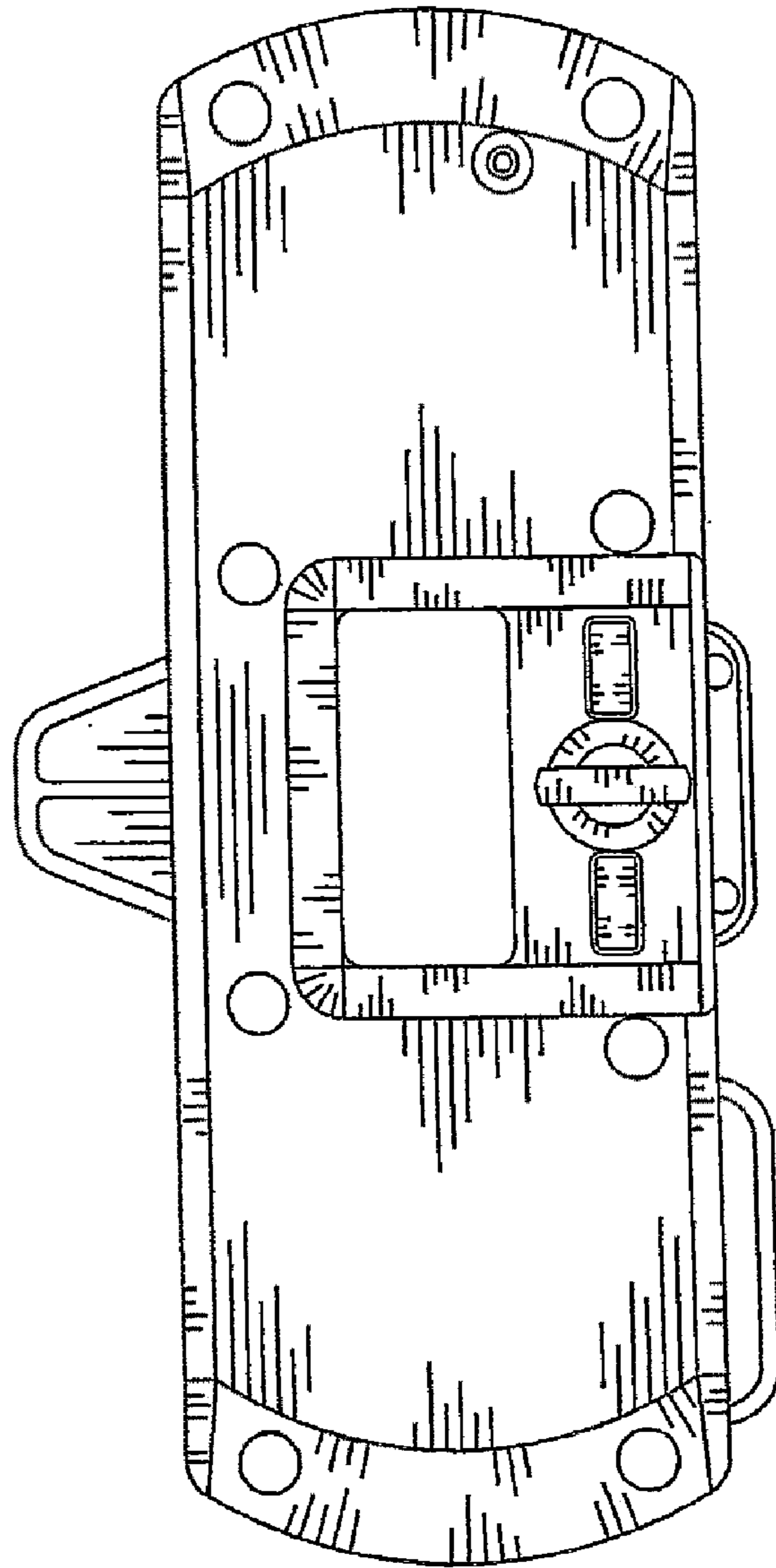


FIG. 7

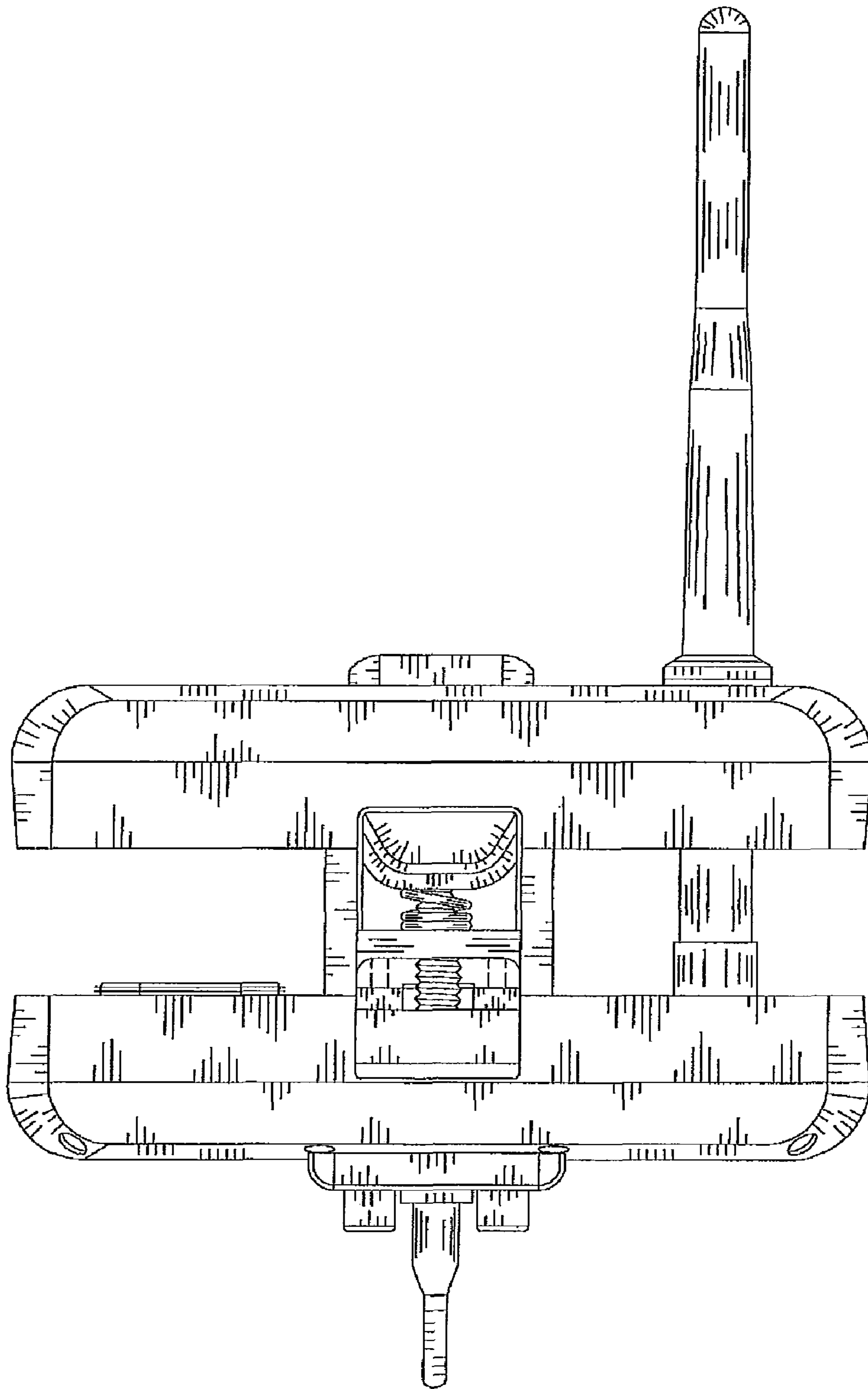


FIG. 8

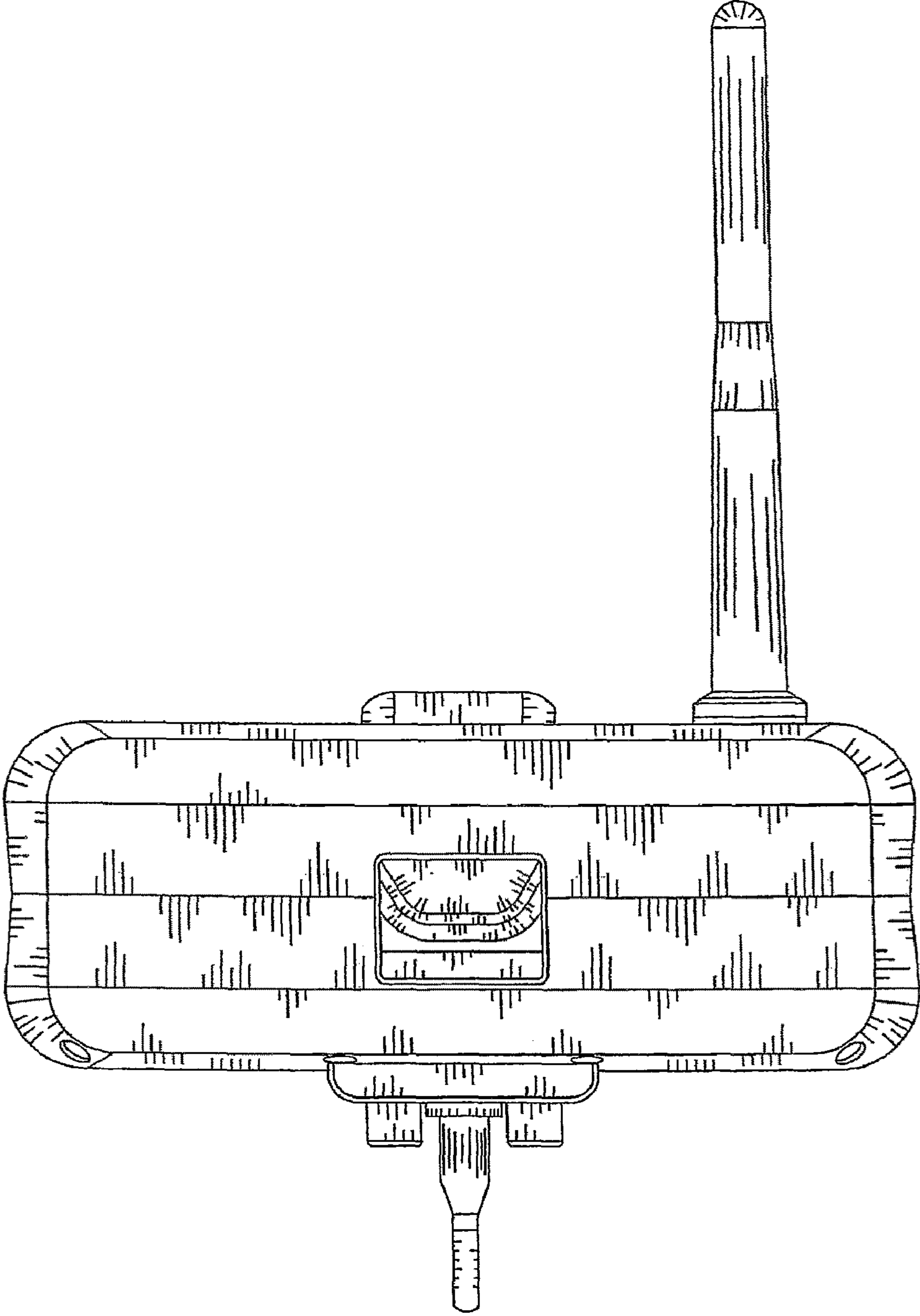


FIG. 9

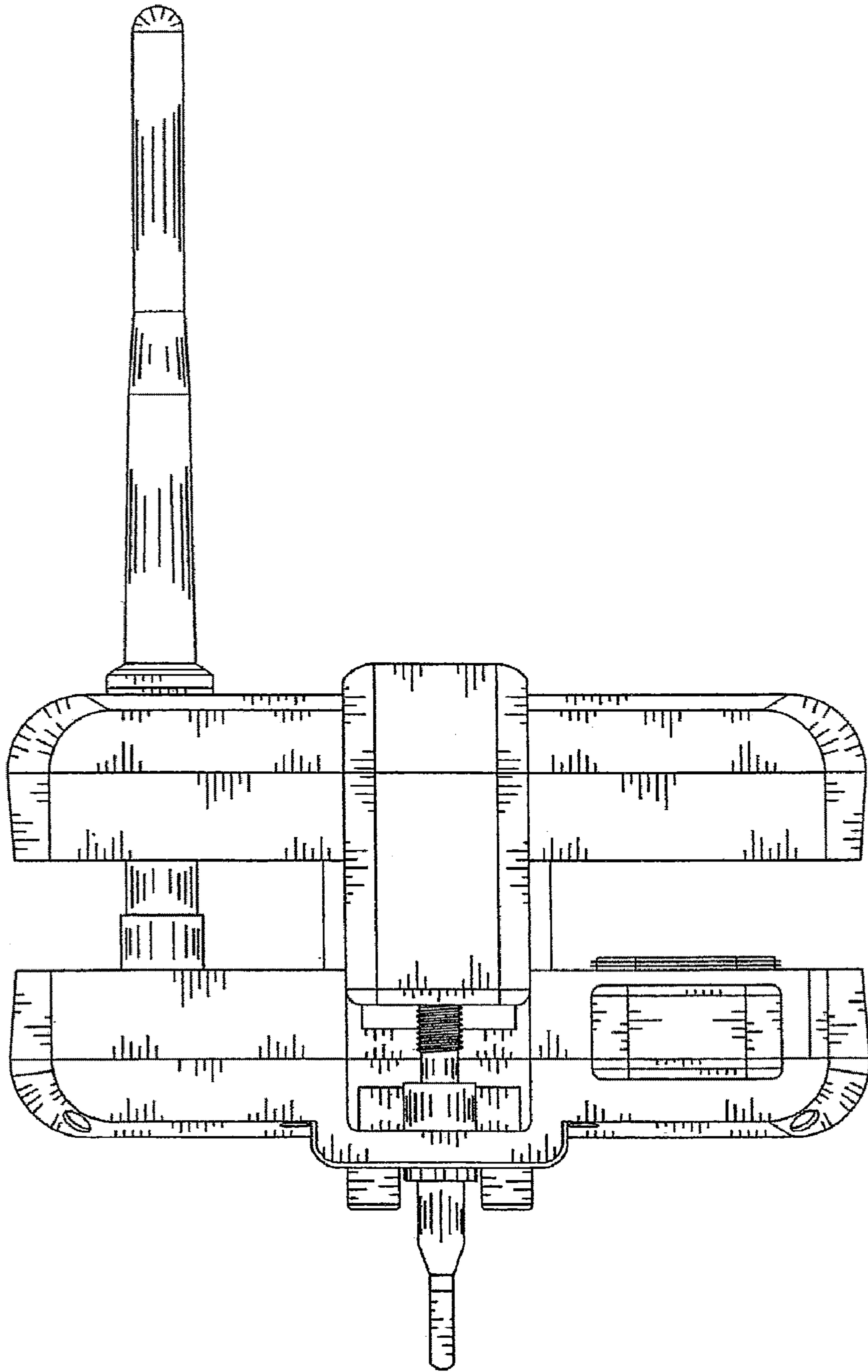


FIG. 10

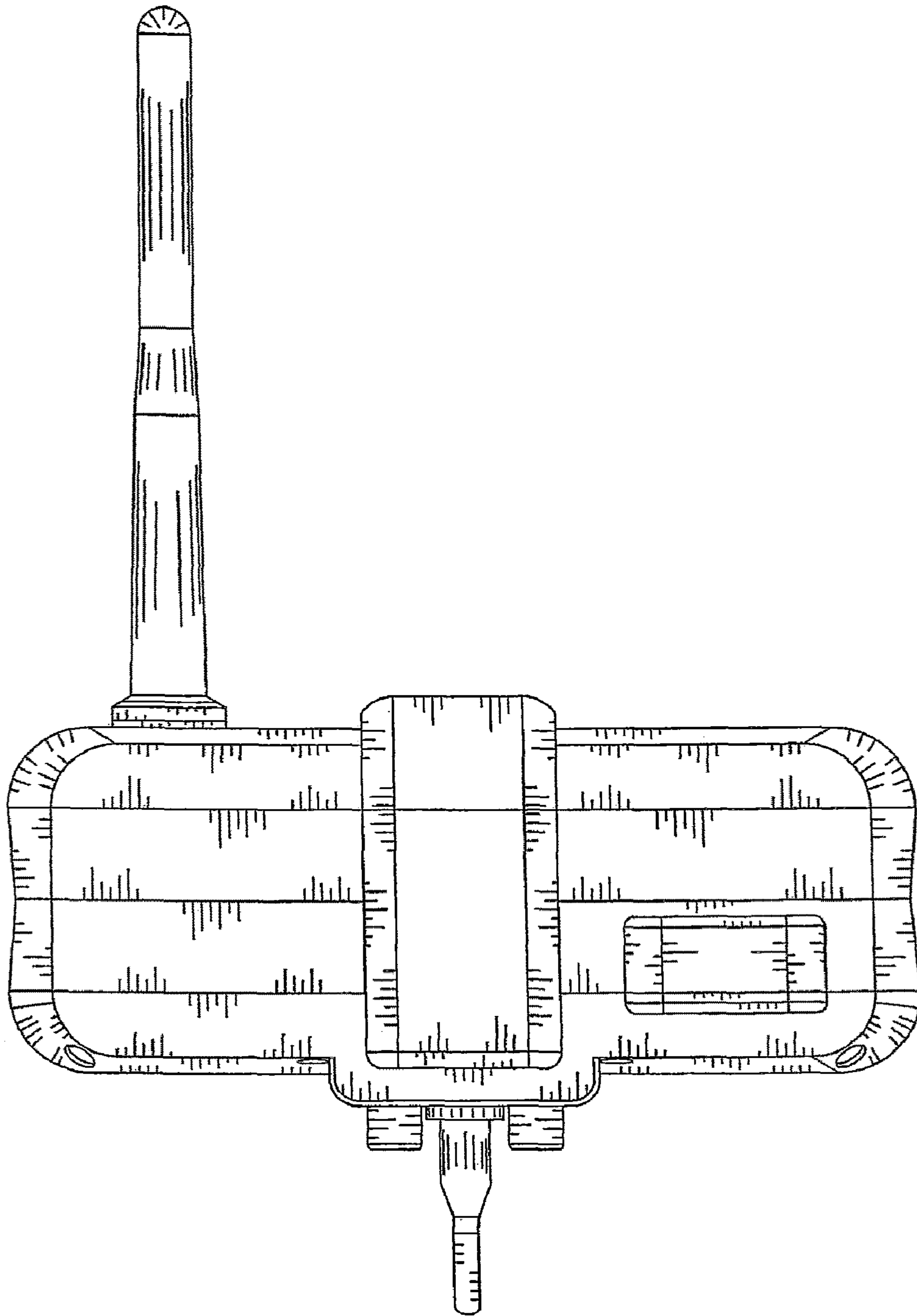


FIG. 11

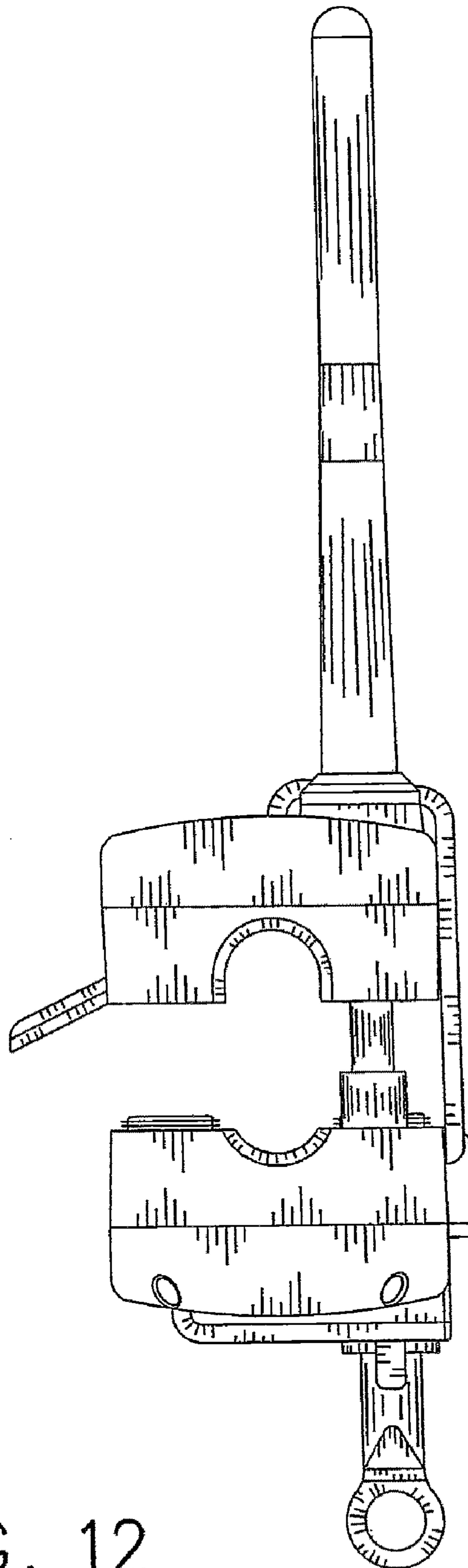


FIG. 12

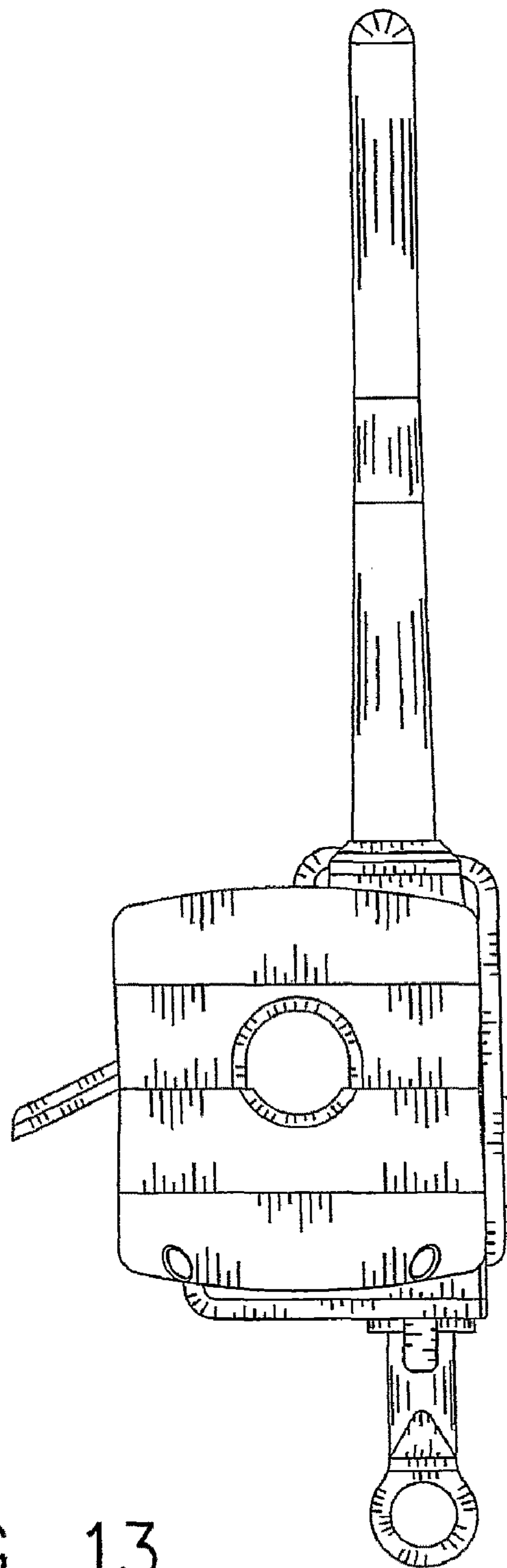


FIG. 13

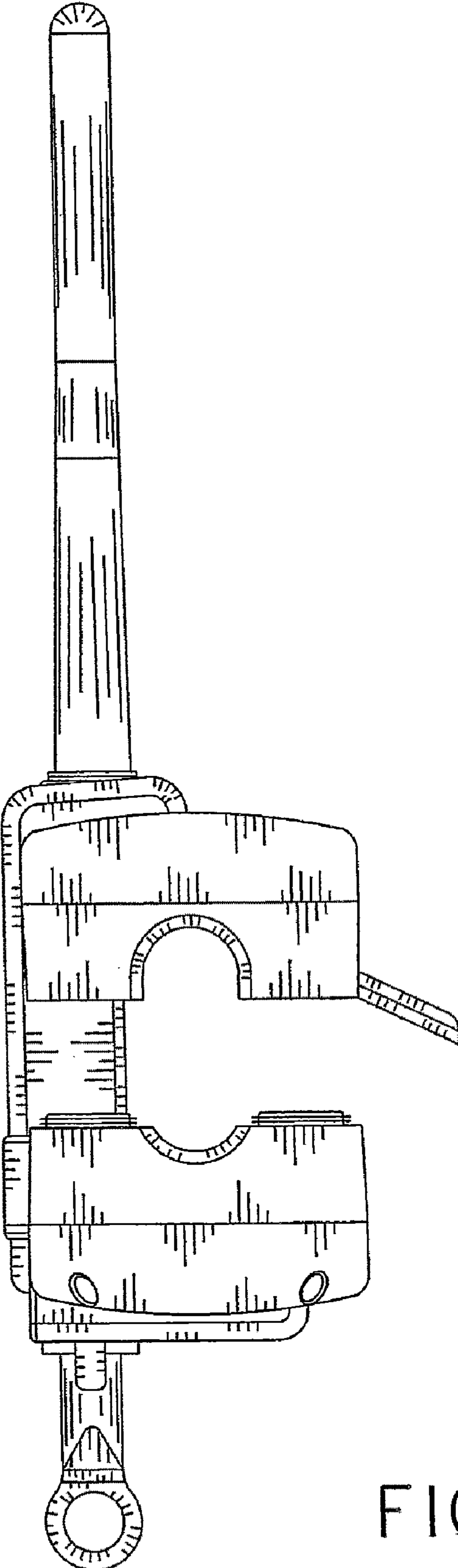


FIG. 14

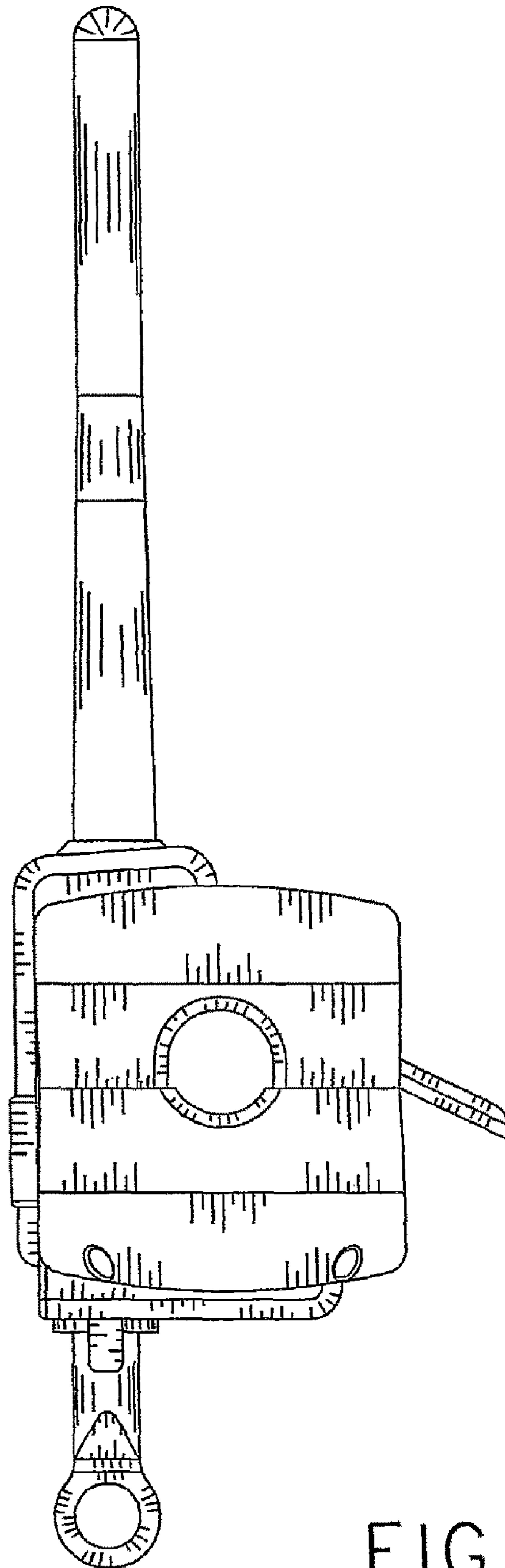


FIG. 15