



US00D640536S

(12) **United States Design Patent**
Larsen et al.

(10) **Patent No.:** **US D640,536 S**
(45) **Date of Patent:** **** Jun. 28, 2011**

(54) **CLAMP FOR HOLDING PIPES AND THE LIKE**

(75) Inventors: **Arne Aksel Larsen**, Ringsted (DK);
Ahmed Atifi, Koge (DK)

(73) Assignee: **Codon Gummi A/S**, Koge (DK)

(**) Term: **14 Years**

(21) Appl. No.: **29/284,206**

(22) Filed: **Sep. 4, 2007**

Related U.S. Application Data

(62) Division of application No. 29/204,329, filed on Apr. 28, 2004.

(51) **LOC (9) Cl.** **08-08**

(52) **U.S. Cl.** **D8/394**

(58) **Field of Classification Search** D8/356,
D8/371, 394-396; D19/65; 24/570; 248/74.2,
248/215, 227.1, 49, 300, 301, 316.7, 51,
248/489, 276.1; D24/128

See application file for complete search history.

(56) **References Cited**

U.S. PATENT DOCUMENTS

2,884,214 A * 4/1959 Wrobel 248/74.3
3,370,815 A 2/1968 Opperhauser

4,157,800 A	6/1979	Senter	
4,237,588 A	12/1980	Rasmussen	
4,779,828 A *	10/1988	Munch	248/74.3
5,494,245 A *	2/1996	Suzuki et al.	248/74.1
5,799,907 A	9/1998	Andronica	
6,191,364 B1 *	2/2001	Byrne	174/72 A
6,682,026 B2 *	1/2004	Nagayasu	248/74.2
6,935,599 B2 *	8/2005	van Walraven	248/74.1
6,978,973 B1 *	12/2005	Gretz	248/74.1
7,053,311 B2 *	5/2006	Santanda	174/154

OTHER PUBLICATIONS

Notice of References Cited—Parent U.S. Appl. No. 29/204,329.

* cited by examiner

Primary Examiner — Robert M. Spear

Assistant Examiner — John Windmuller

(74) *Attorney, Agent, or Firm* — William J. Sapone;
Coleman Sudol Sapone P.C.

(57) **CLAIM**

We claim the design for a clamp for holding pipes and the like, as shown and described.

DESCRIPTION

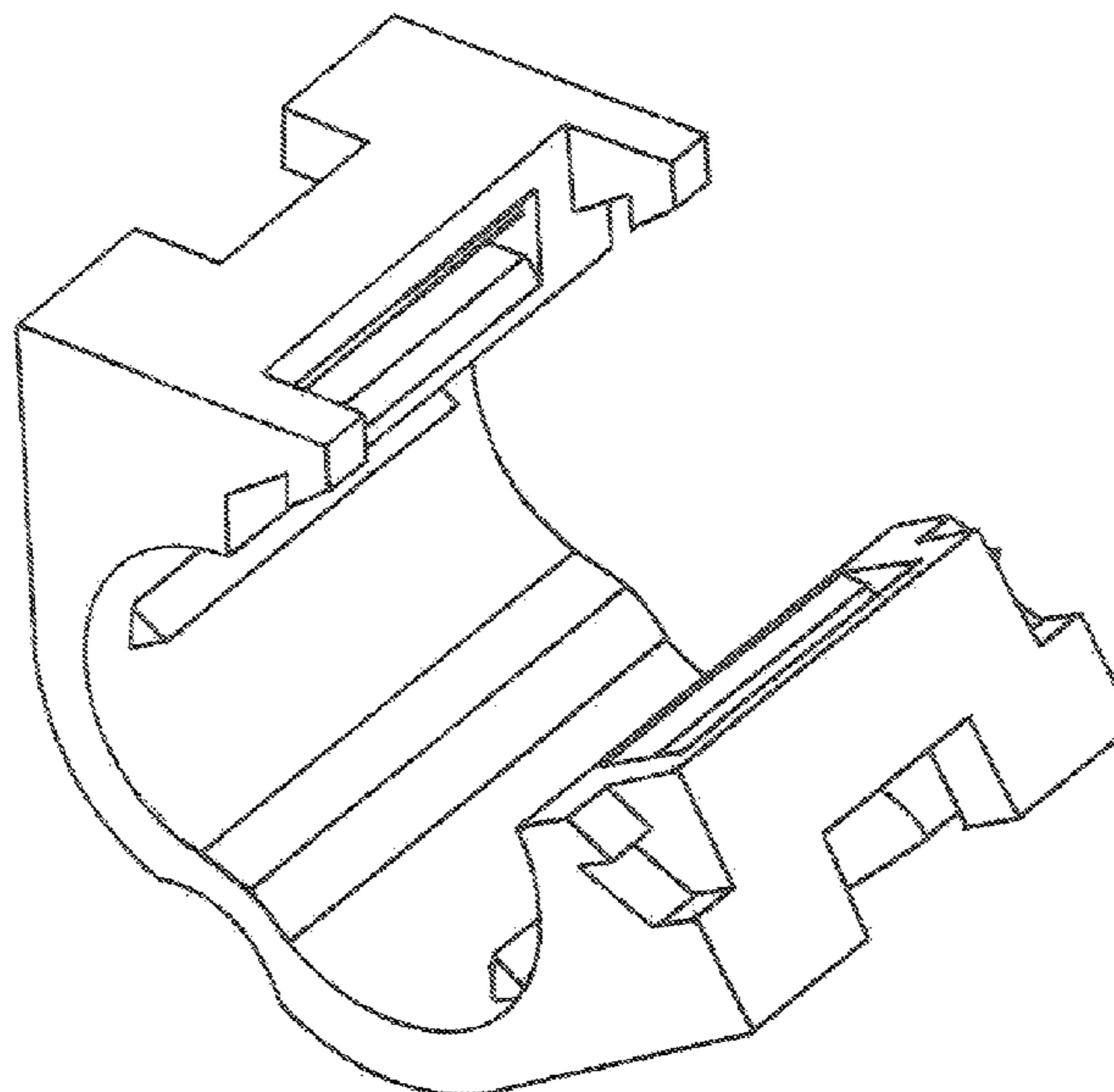
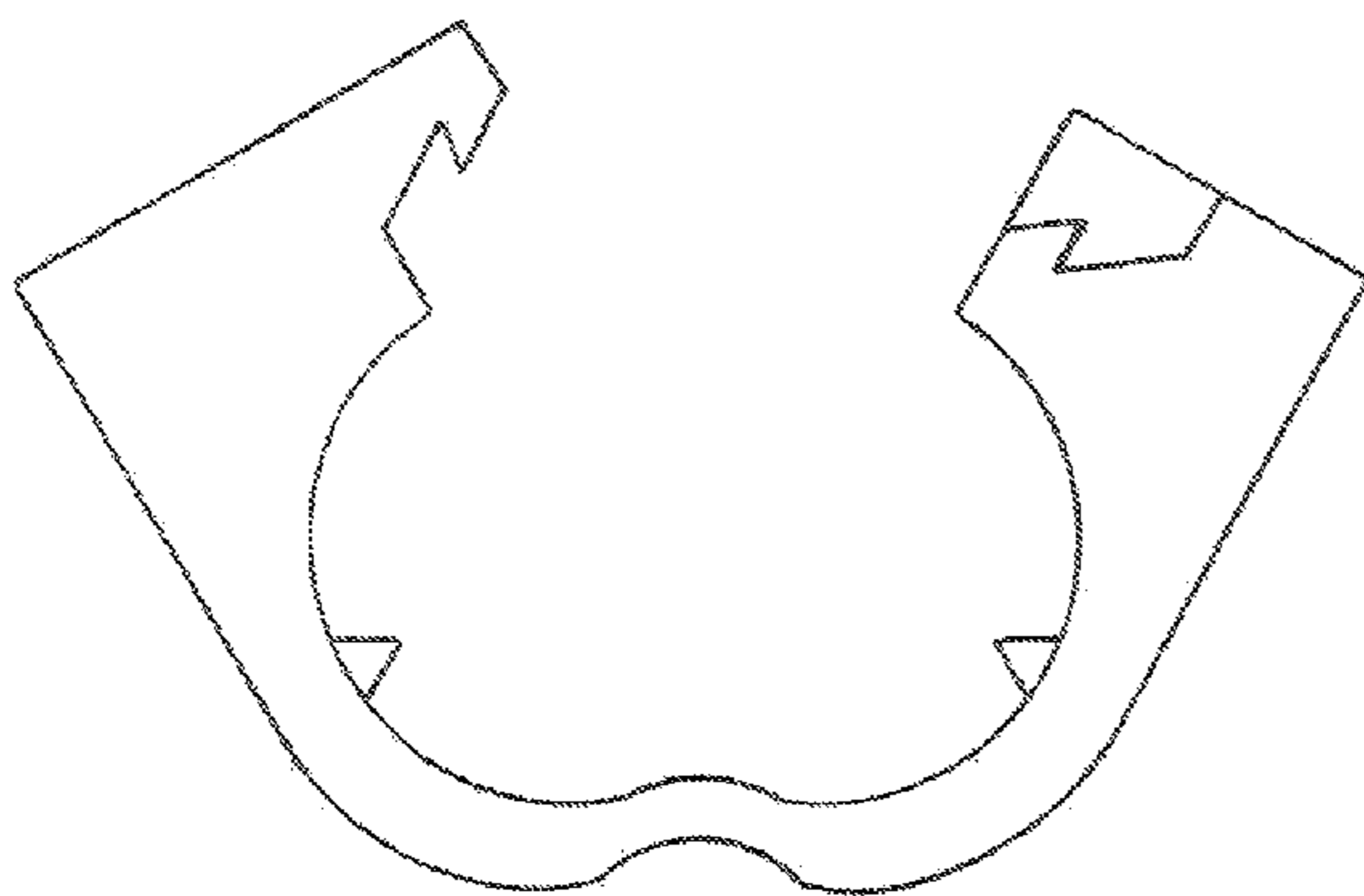
FIG. 1 is a side view of a clamp for holding pipes and the like, showing our design with the clamp open;

FIG. 2 is a bottom perspective view thereof;

FIG. 3 is a side view of the clamp in a closed position; and,

FIG. 4 is a bottom perspective view thereof.

1 Claim, 2 Drawing Sheets



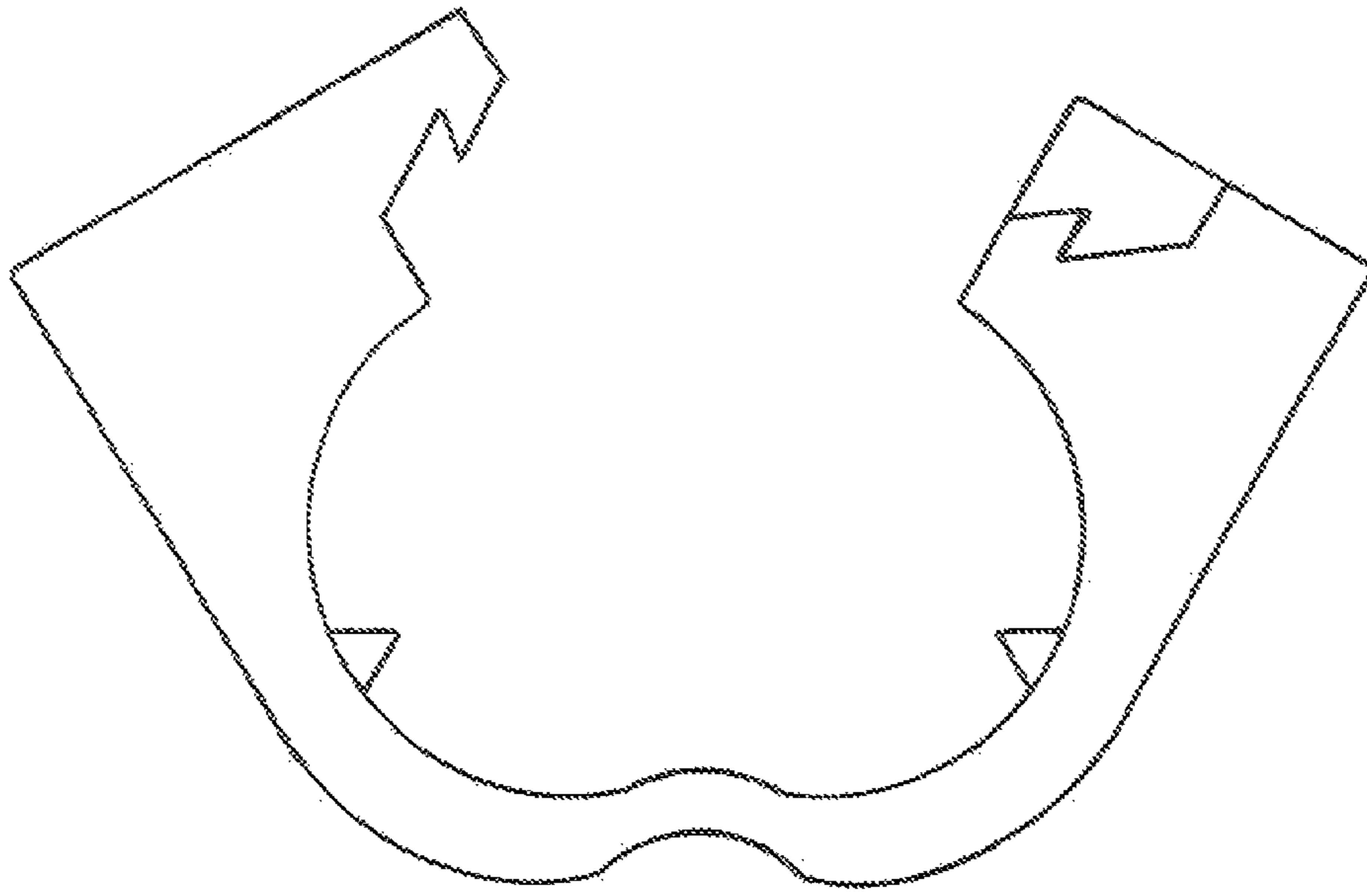


FIG. 1

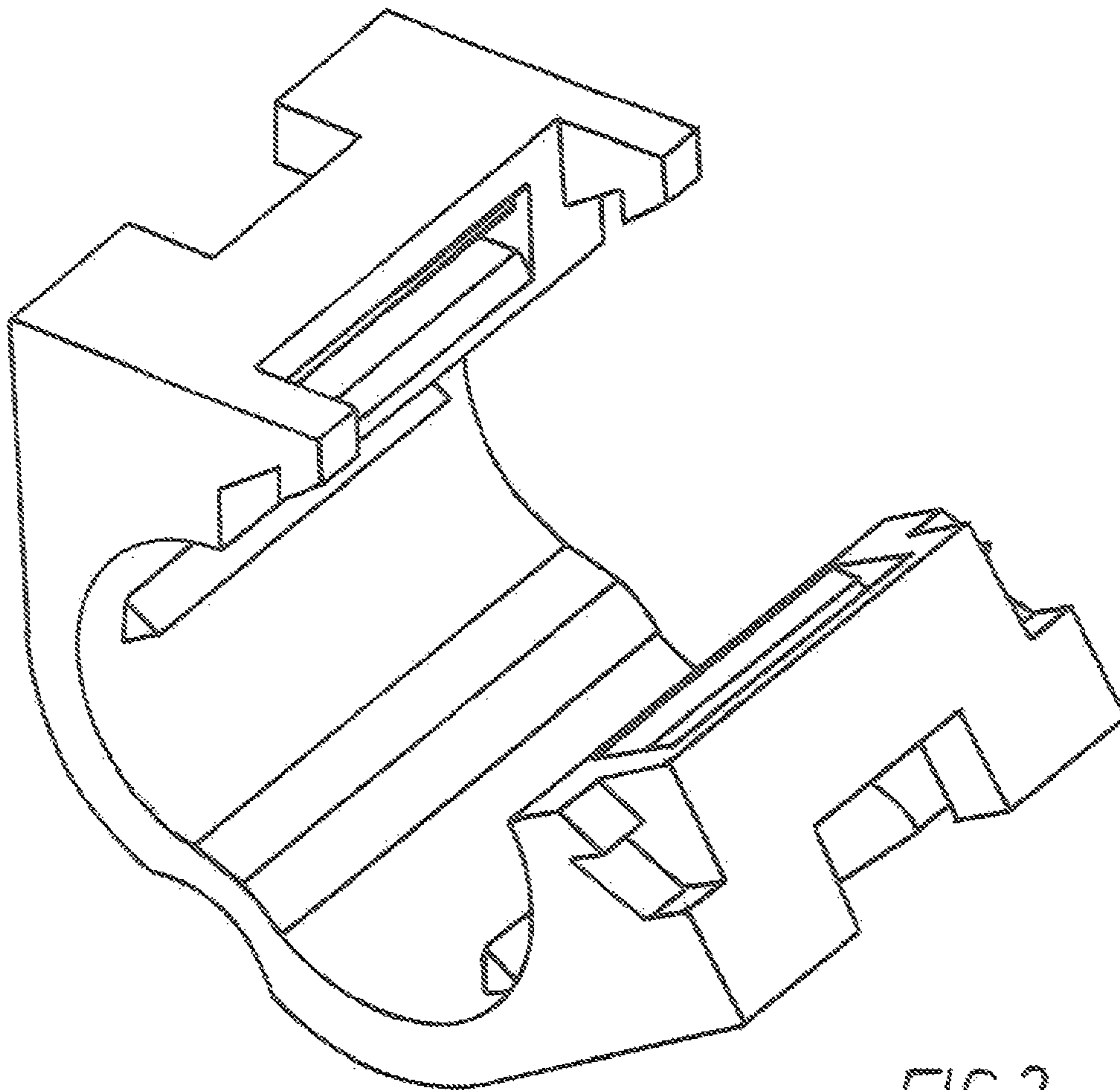


FIG. 2

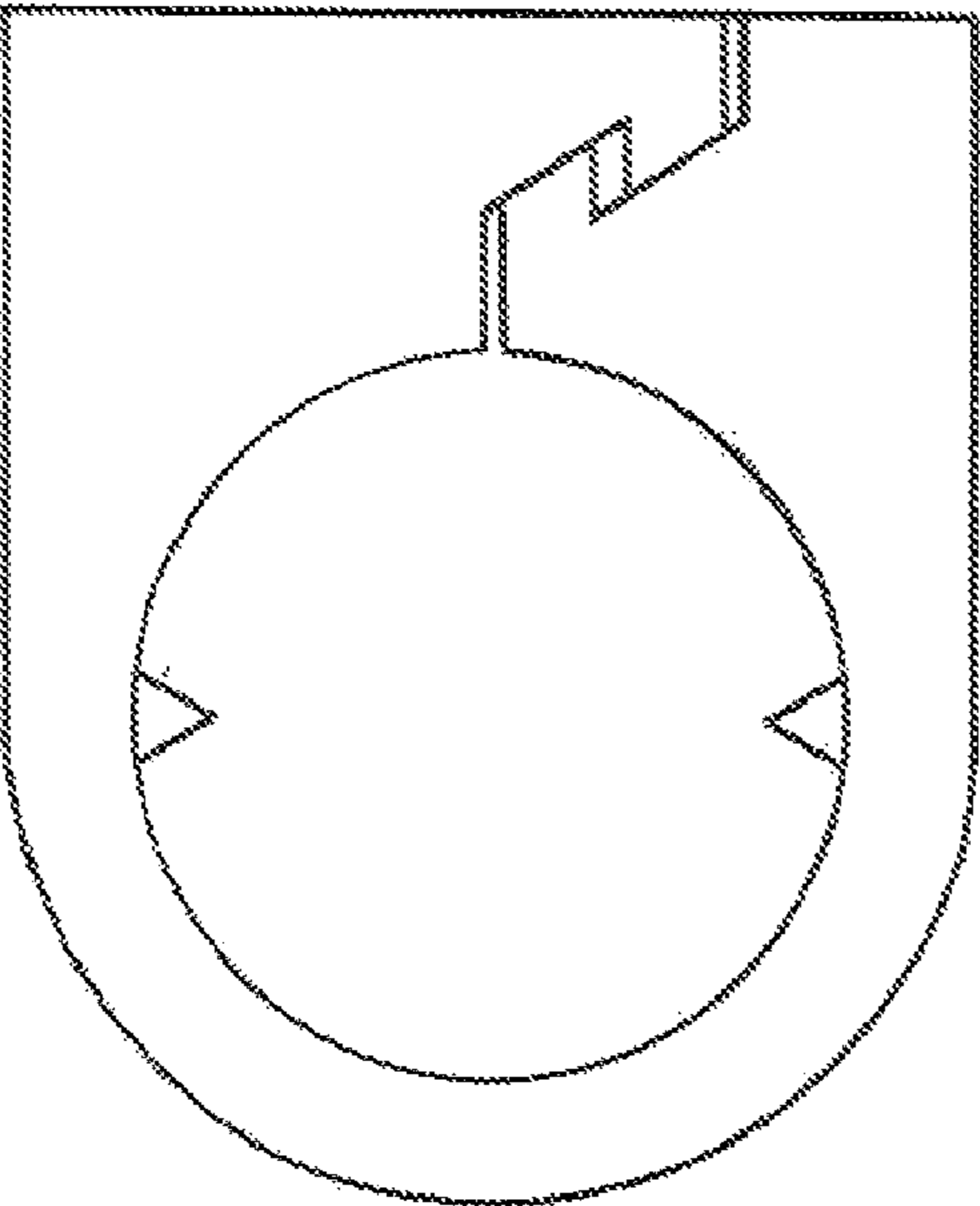


FIG. 3

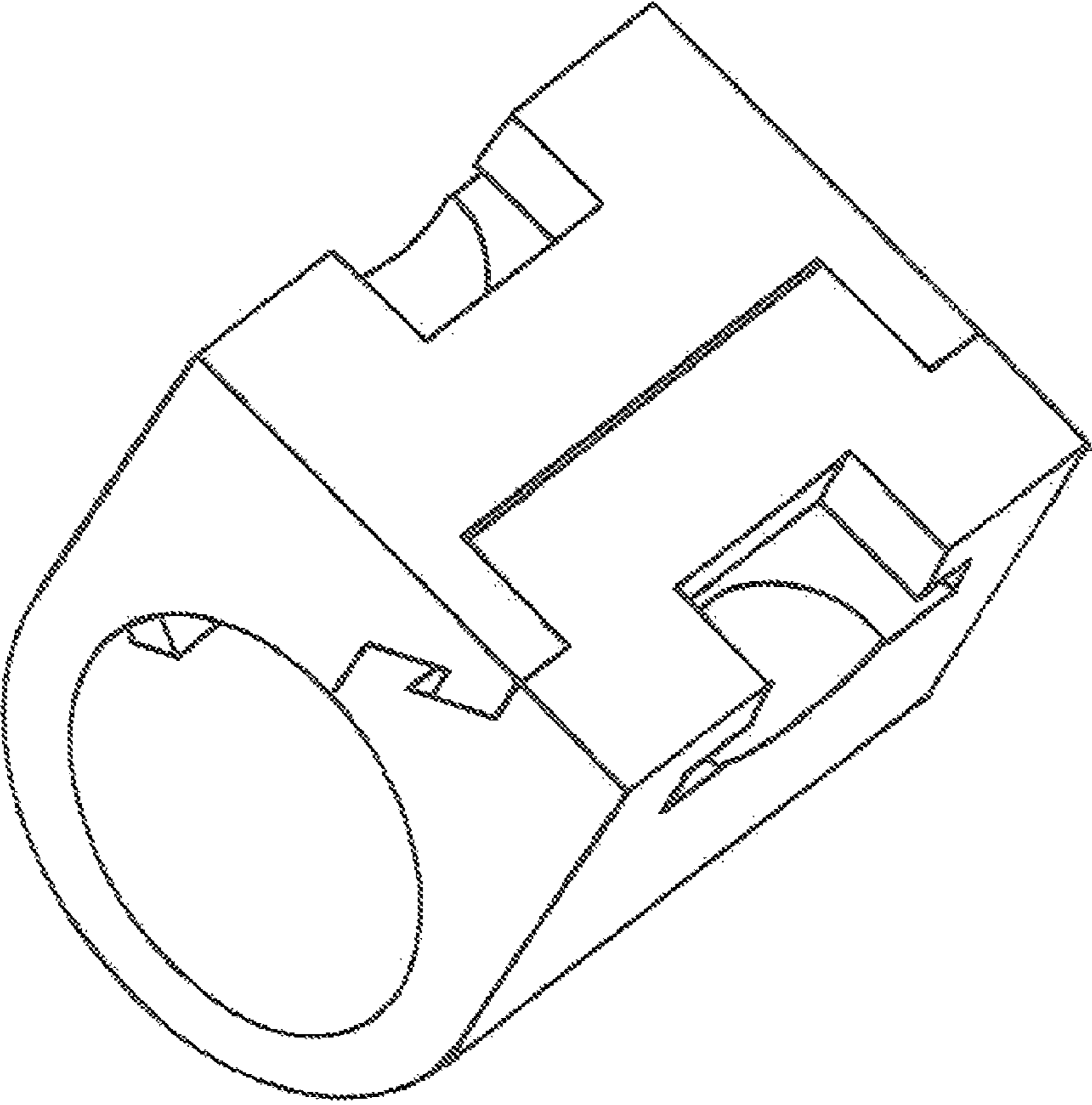


FIG. 4