



US00D640534S

(12) **United States Design Patent**  
**Austro**

(10) **Patent No.:** **US D640,534 S**  
(45) **Date of Patent:** **\*\* Jun. 28, 2011**

(54) **CONNECTOR FOR SHEET PILING**

(75) Inventor: **James Bryan Austro**, Wharton, NJ (US)

(73) Assignee: **Skyline Steel, LLC**, Parsippany, NJ (US)

(\*\*) Term: **14 Years**

(21) Appl. No.: **29/369,493**

(22) Filed: **Sep. 9, 2010**

(51) **LOC (9) Cl.** ..... **08-08**

(52) **U.S. Cl.** ..... **D8/382**

(58) **Field of Classification Search** ..... D8/382,  
D8/394-395; D25/119, 61; 405/279, 278;  
24/573.09, 346, 370

See application file for complete search history.

(56) **References Cited**

**U.S. PATENT DOCUMENTS**

1,098,077	A	5/1914	Annison	
D465,288	S	11/2002	Wall	
7,168,214	B2	1/2007	Wall	
D542,633	S *	5/2007	Heindl	..... D8/382
D542,643	S *	5/2007	Heindl	..... D8/382
D543,100	S *	5/2007	Heindl	..... D8/382

7,527,456	B2 *	5/2009	Heindl et al.	.....	405/279
D623,930	S *	9/2010	Austro	.....	D8/382
D623,931	S *	9/2010	Austro	.....	D8/382
D623,932	S *	9/2010	Austro	.....	D8/382
2002/0102131	A1	8/2002	Wall		
2005/0238443	A1 *	10/2005	Heindl et al.	.....	405/277
2009/0214301	A1	8/2009	Heindl		

\* cited by examiner

*Primary Examiner* — Holly Baynham

*Assistant Examiner* — Sheryl Lane

(74) *Attorney, Agent, or Firm* — Hoffmann & Baron, LLP

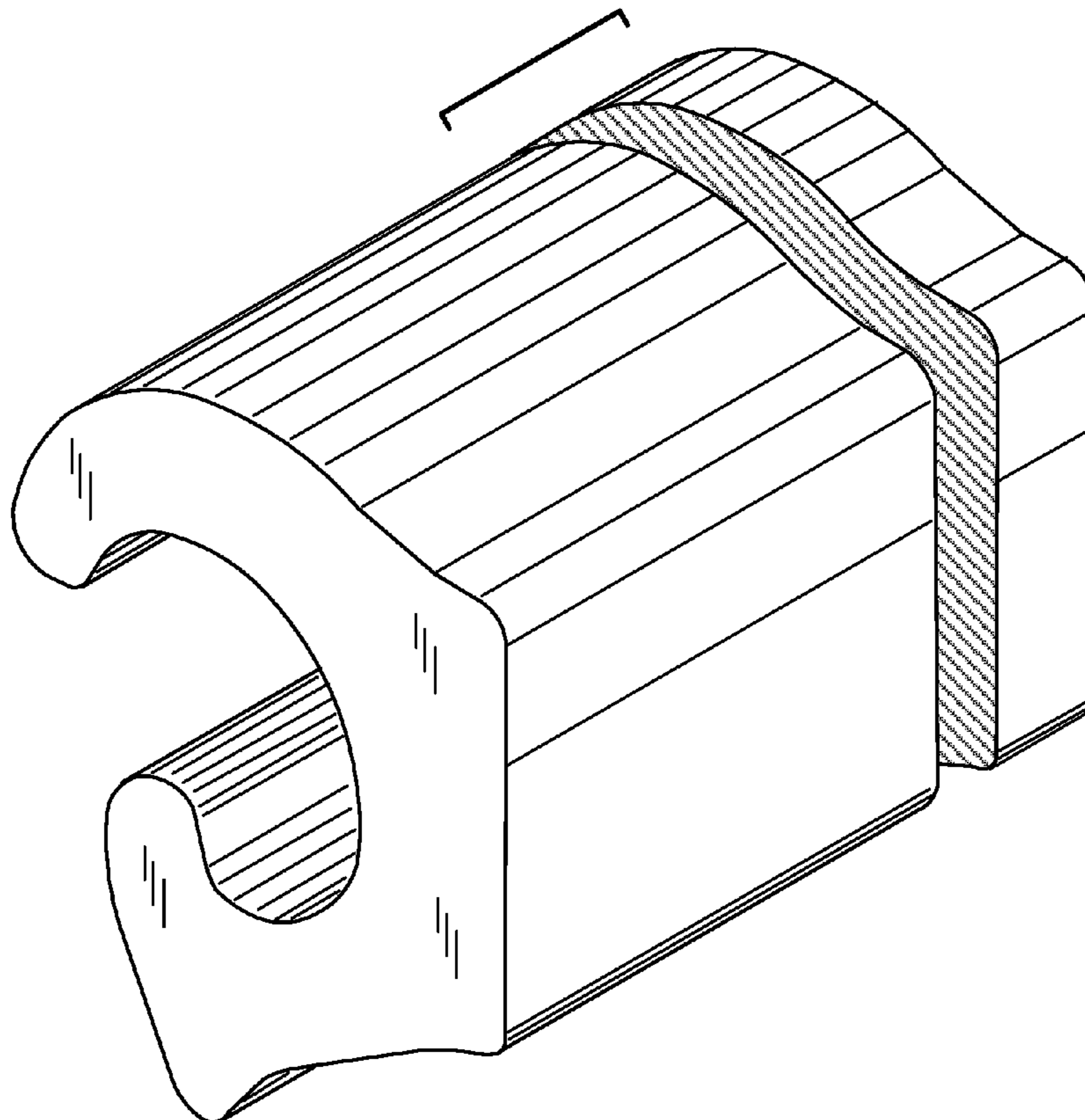
(57) **CLAIM**

The ornamental design for a connector for sheet piling, as shown and described.

**DESCRIPTION**

FIG. 1 is an end view of the connector for sheet piling. FIG. 2 is a perspective view of the first side of the connector for sheet piling. The separation of the two sections of the connector indicates indeterminate length; and, FIG. 3 is a perspective view of the second side of the connector for sheet piling. The separation of the two sections of the connector indicates indeterminate length.

**1 Claim, 2 Drawing Sheets**



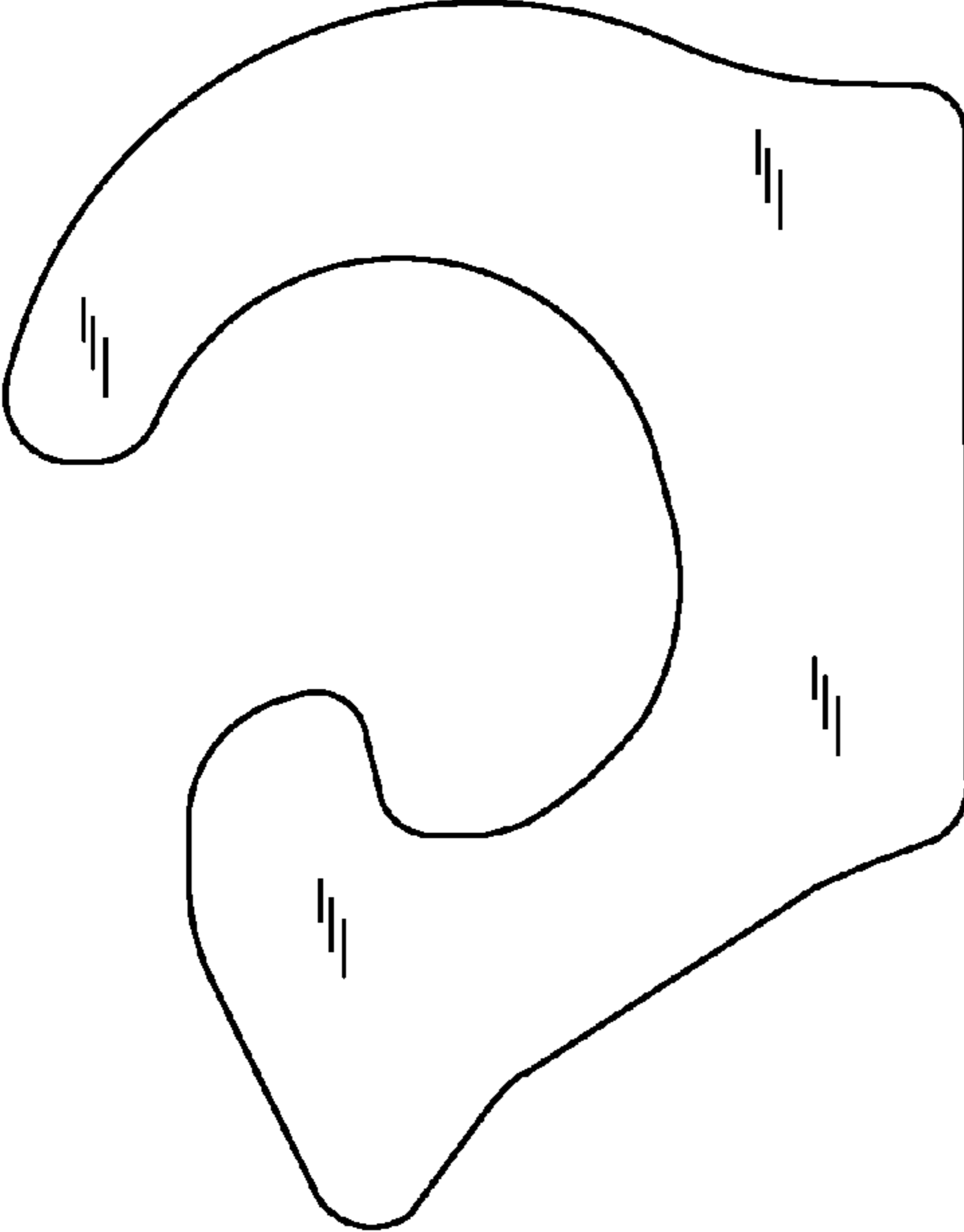


FIG. 1

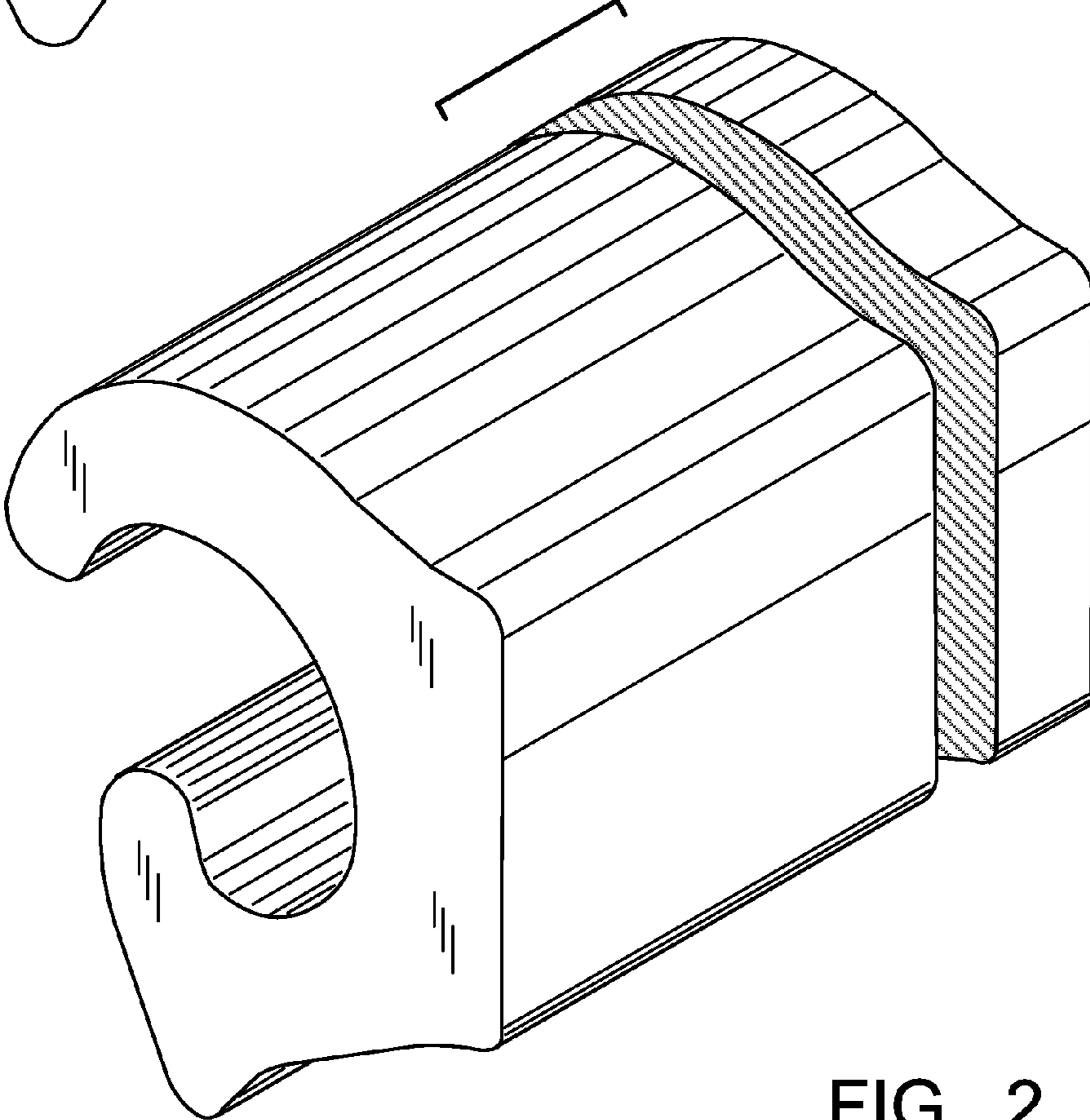


FIG. 2

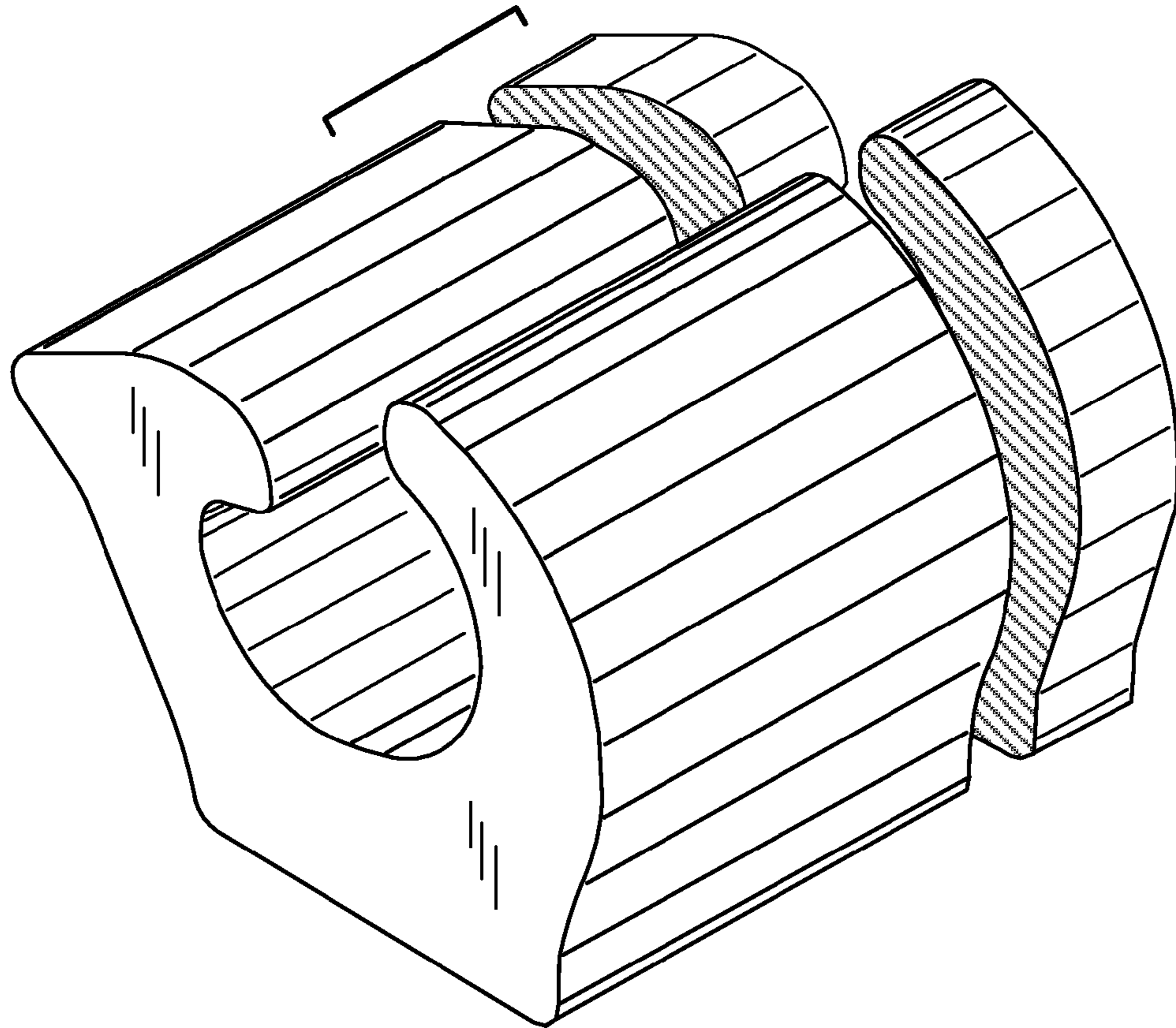


FIG. 3