



US00D640533S

(12) **United States Design Patent**
Austro

(10) **Patent No.:** **US D640,533 S**
(45) **Date of Patent:** **** Jun. 28, 2011**

(54) **CONNECTOR FOR SHEET PILING**

(75) Inventor: **James Bryan Austro**, Wharton, NJ (US)

(73) Assignee: **Skyline Steel, LLC**, Parsippany, NJ (US)

(**) Term: **14 Years**

(21) Appl. No.: **29/368,696**

(22) Filed: **Aug. 27, 2010**

(51) **LOC (9) Cl.** **08-08**

(52) **U.S. Cl.** **D8/382**

(58) **Field of Classification Search** D8/382,
D8/394-395; D25/119, 61; 405/279, 278;
24/573.09, 346, 370

See application file for complete search history.

(56) **References Cited**

U.S. PATENT DOCUMENTS

1,032,109	A	7/1912	Buckingham	
1,098,077	A	5/1914	Annison	
2,128,428	A	8/1938	Murray, Jr.	
D527,248	S *	8/2006	Heindl et al.	D8/382
D527,249	S	8/2006	Heindl	
D527,619	S	9/2006	Heindl	
D543,841	S *	6/2007	Heindl et al.	D8/382

D618,990	S	7/2010	Heindl	
D618,991	S	7/2010	Heindl	
D619,886	S	7/2010	Heindl	
D621,245	S	8/2010	Heindl	
D621,246	S	8/2010	Heindl	
D621,247	S	8/2010	Heindl	
D621,248	S *	8/2010	Heindl	D8/382
D622,579	S	8/2010	Heindl	

* cited by examiner

Primary Examiner — Holly Baynham

Assistant Examiner — Sheryl Lane

(74) *Attorney, Agent, or Firm* — Hoffmann & Baron, LLP

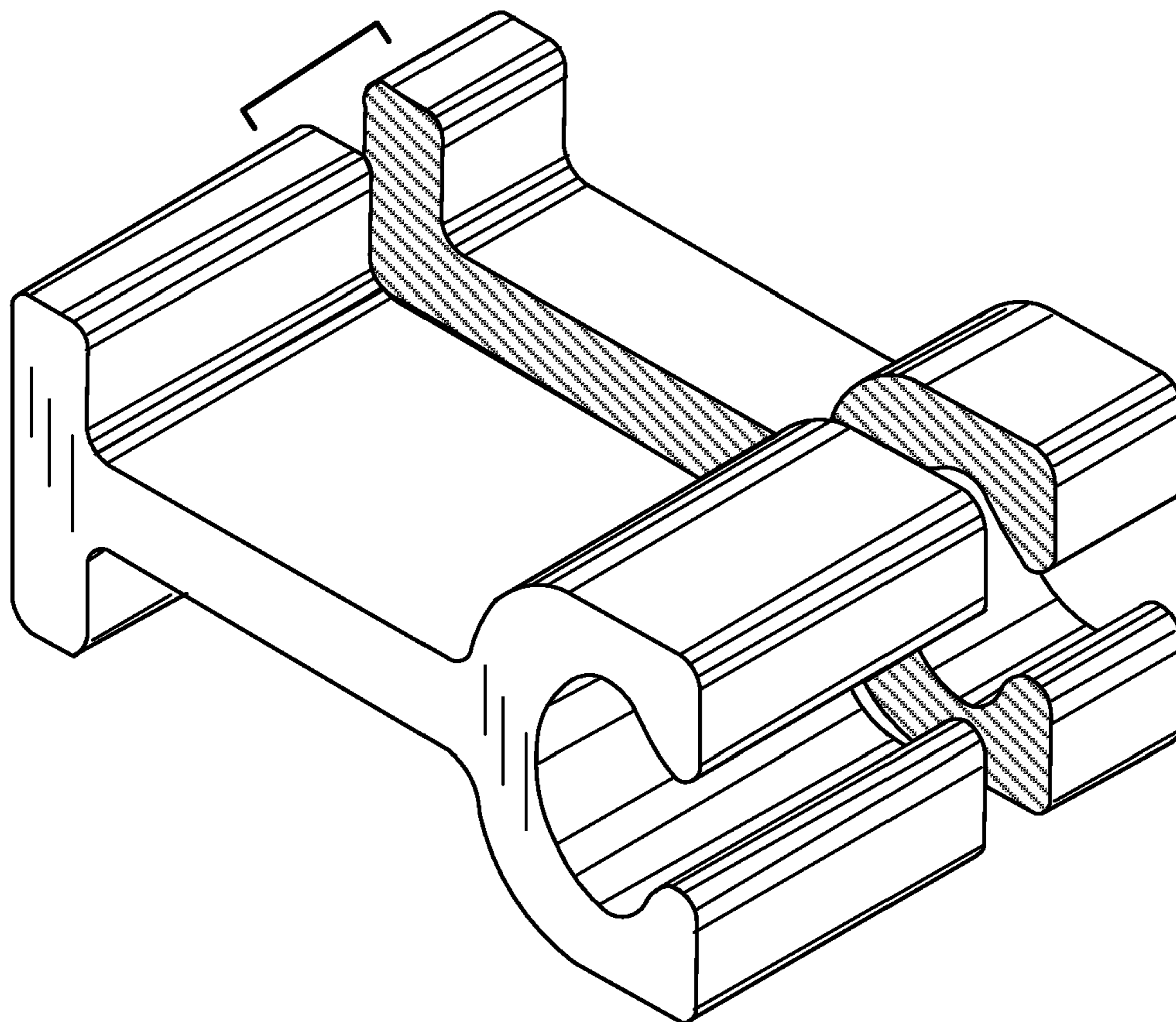
(57) **CLAIM**

The ornamental design for a connector for sheet piling, as shown and described.

DESCRIPTION

FIG. 1 is an end view of the connector for sheet piling. FIG. 2 is a perspective view of the first side of the connector for sheet piling. The separation of the two sections of the connector indicates indeterminate length; and, FIG. 3 is a perspective view of the second side of the connector for sheet piling. The separation of the two sections of the connector indicates indeterminate length.

1 Claim, 2 Drawing Sheets



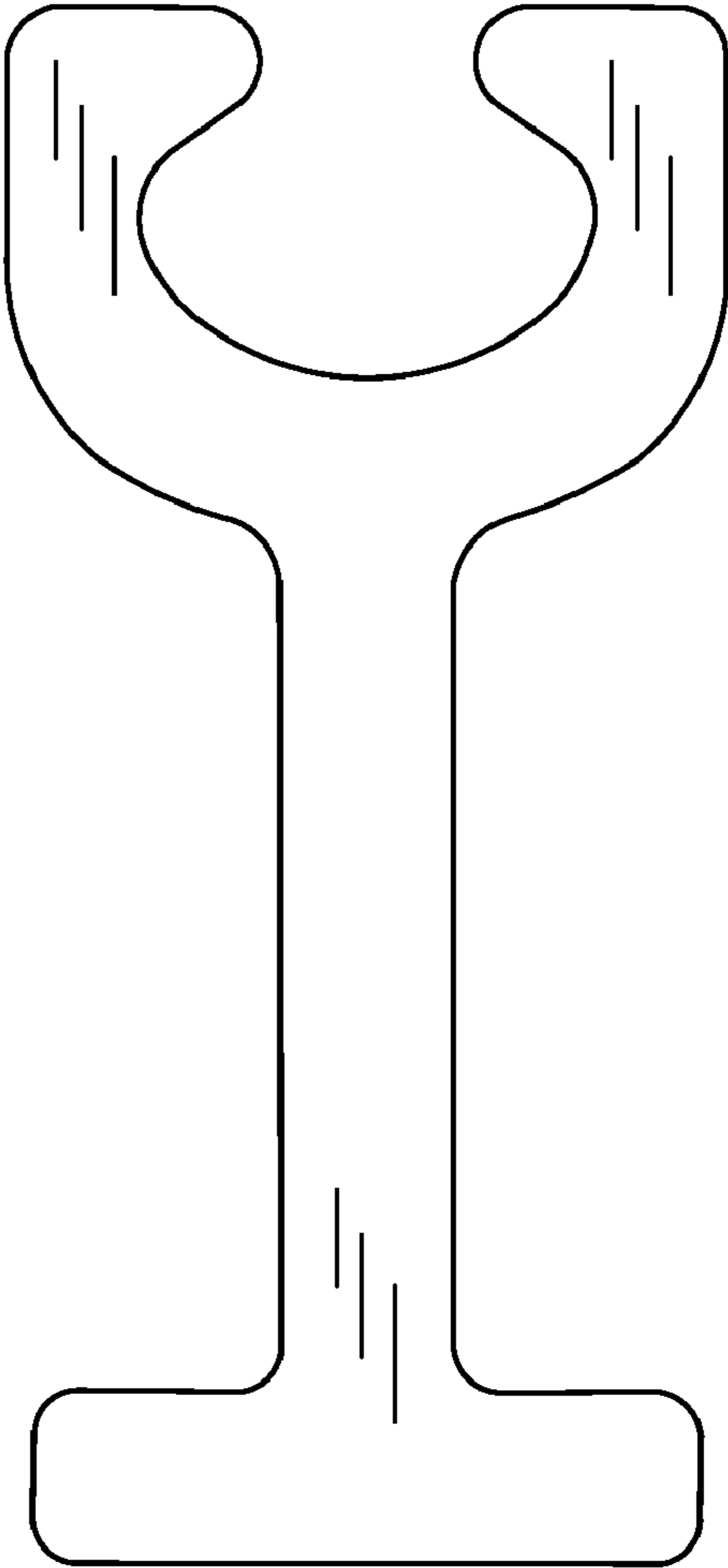


FIG. 1

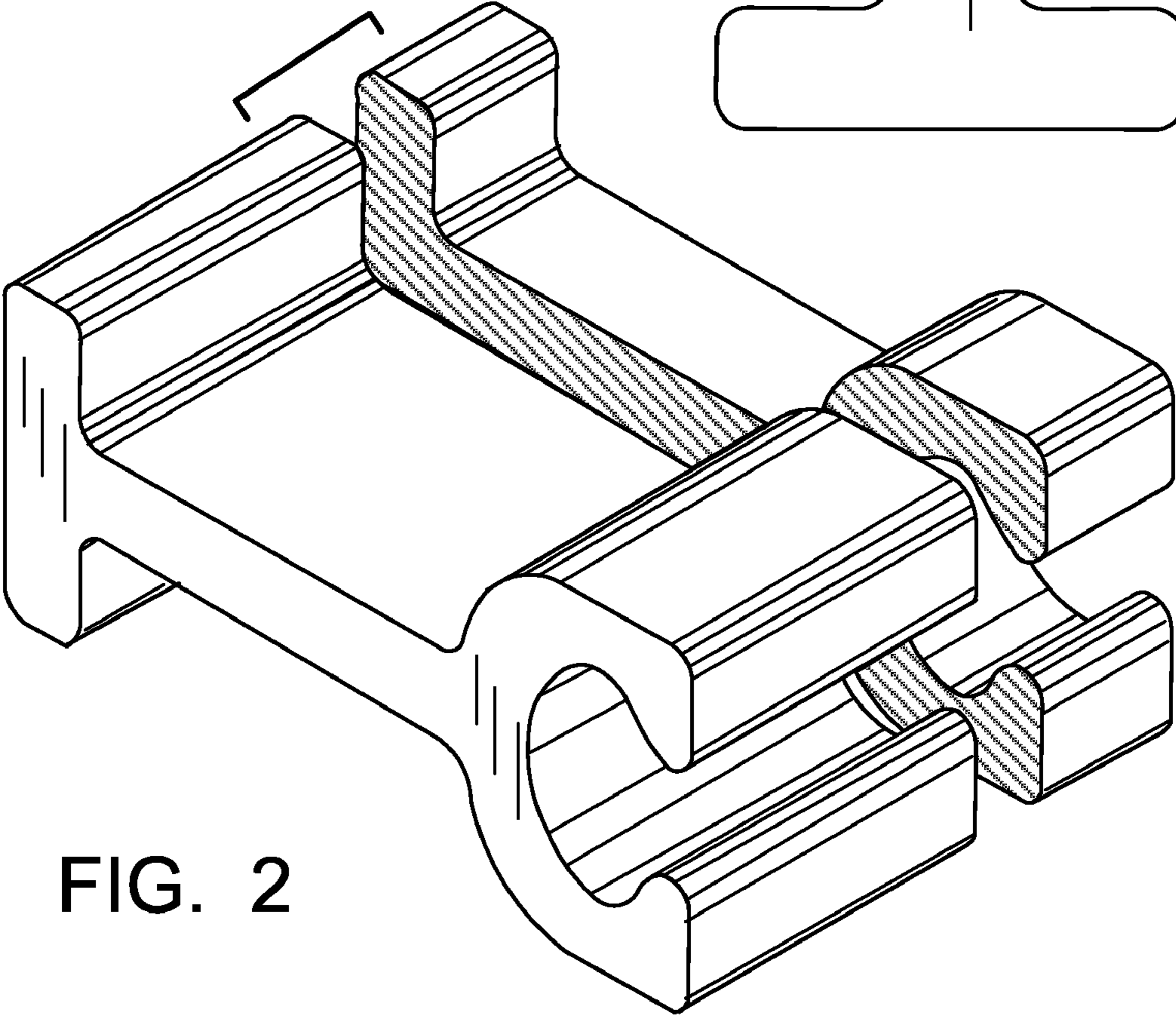


FIG. 2

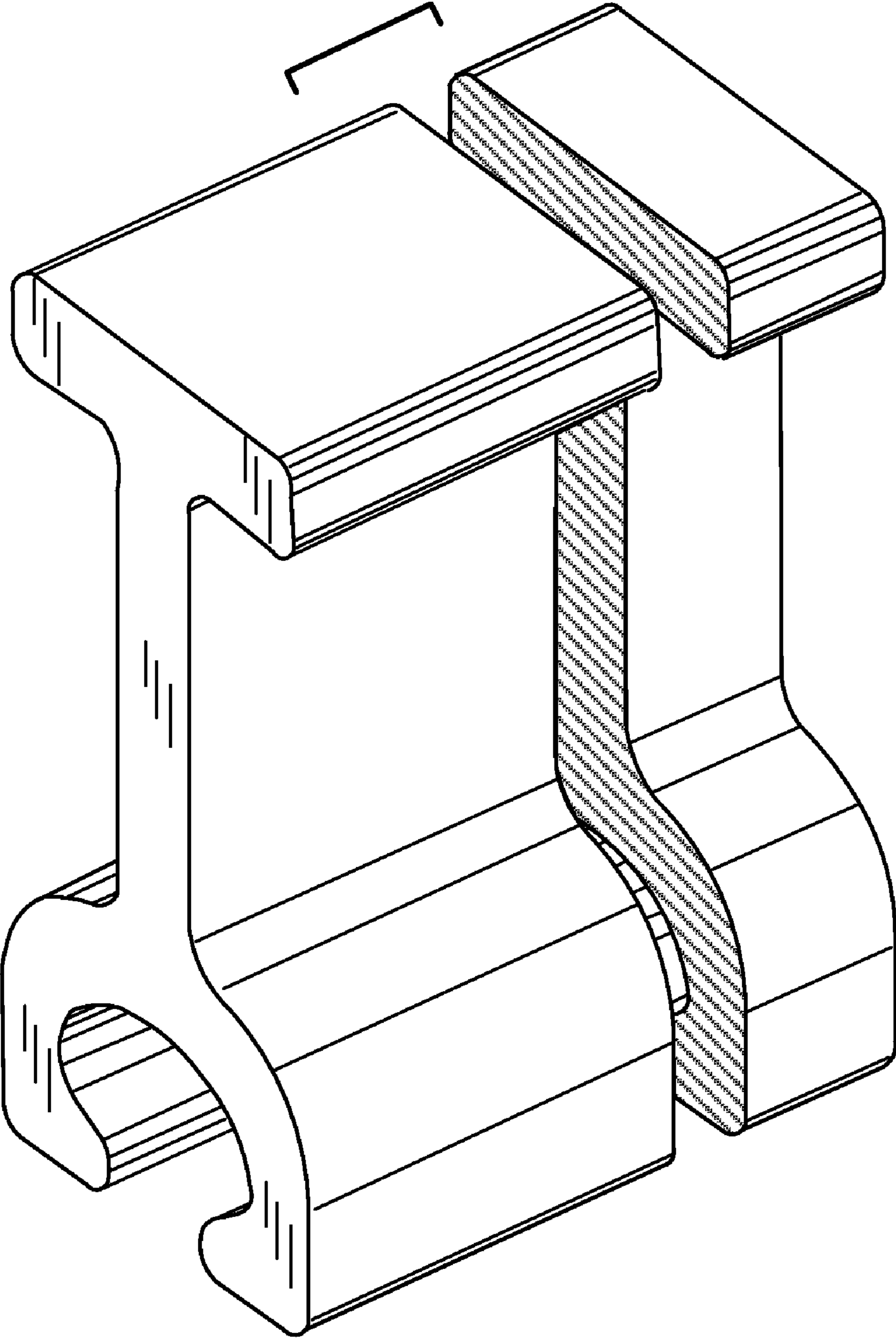


FIG. 3