



US00D640522S

(12) **United States Design Patent**
Livingston, Jr. et al.

(10) **Patent No.:** **US D640,522 S**
(45) **Date of Patent:** **** Jun. 28, 2011**

- (54) **HAND-HELD CARRY VISE**
- (75) Inventors: **Larry Leigh Livingston, Jr.**, Pilot Hill, CA (US); **Derek Carlton Westlund**, Placerville, CA (US)
- (73) Assignee: **Omni Cubed, Inc.**, Placerville, CA (US)
- (**) Term: **14 Years**
- (21) Appl. No.: **29/359,827**
- (22) Filed: **Apr. 15, 2010**
- (51) **LOC (9) Cl.** **08-05**
- (52) **U.S. Cl.** **D8/74**
- (58) **Field of Classification Search** D8/71-74, D8/394-399, 354, 355, 356, 59; 248/62, 248/63, 72, 74.1, 689, 124.2; 81/487; 269/3, 269/4, 6, 143, 165, 240, 243, 246-249, 254 R, 269/147-149; 29/256, 257, 276; D15/140; D24/143; 408/103, 104-109; D7/683, 685, D7/686; D21/673, 694; 144/144.51
See application file for complete search history.

- D378,343 S 3/1997 Macor D8/73
- D390,241 S 2/1998 Mori D15/140
- D391,150 S 2/1998 Anderson D8/394
- D392,171 S 3/1998 Miller D8/72
- D393,998 S 5/1998 Anderson D8/394
- 5,765,902 A 6/1998 Love
- D408,478 S * 4/1999 Kuo D21/673
- D414,669 S * 10/1999 Howard D8/71
- 6,032,939 A 3/2000 Chen
- 6,045,126 A 4/2000 Brzezinski
- D426,524 S * 6/2000 Abed et al. D8/71
- D487,864 S 3/2004 Varzino
- 6,722,027 B2 * 4/2004 Peckham et al. 269/3
- 6,893,012 B2 5/2005 Wong
- 7,000,519 B1 2/2006 Weinstein et al.
- 7,025,309 B2 4/2006 Goodwin et al. 248/74.4
- D551,528 S 9/2007 Vautour D8/72
- D557,093 S * 12/2007 Holt D8/59
- D574,864 S * 8/2008 McDaniel D15/140

(Continued)

Primary Examiner — David Muller
(74) *Attorney, Agent, or Firm* — Manuel F. de la Cerra

(57) **CLAIM**
The ornamental design for a hand-held carry vise, as shown and described.

(56) **References Cited**

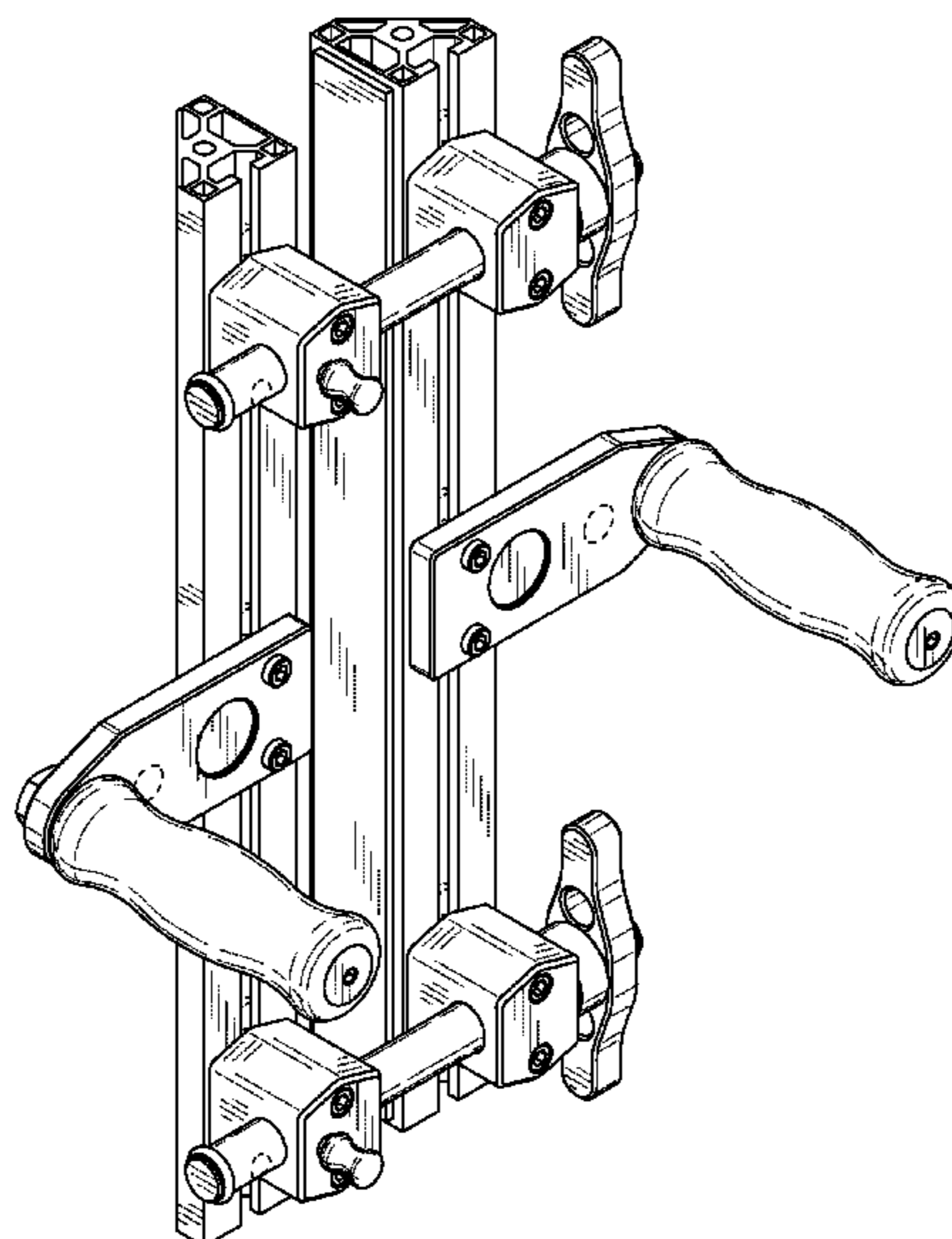
U.S. PATENT DOCUMENTS

- 2,241,021 A 5/1941 Riebe
- 4,324,048 A 4/1982 Frost
- D266,483 S 10/1982 Merry D8/356
- D267,625 S 1/1983 Dark 8/73
- D286,609 S * 11/1986 Hickman et al. D8/74
- 4,691,907 A 9/1987 Yang
- 4,823,636 A 4/1989 Suska
- 4,834,354 A 5/1989 Yang
- D302,101 S * 7/1989 Livick D8/71
- 4,858,902 A * 8/1989 Hickman D8/74
- 4,928,938 A 5/1990 Ross
- 5,131,780 A 7/1992 Love
- D332,562 S 1/1993 Fremont et al. D8/73
- D351,775 S * 10/1994 Wedler D8/71
- D365,975 S 1/1996 Cottone D8/72
- D376,397 S * 12/1996 Prodan D21/673

DESCRIPTION

FIG. 1 is a front left perspective view of the hand-held carry vise.
FIG. 2 is a front right perspective view thereof;
FIG. 3 is a front elevation view thereof;
FIG. 4 is a rear elevation view thereof;
FIG. 5 is a left side elevation view thereof;
FIG. 6 is a right side elevation view thereof;
FIG. 7 is a top plan view thereof; and,
FIG. 8 is a bottom plan view thereof.
The broken line showing of parts of the drawings is included for the purpose of illustrating use and environment and forms no part of the claimed design.

1 Claim, 7 Drawing Sheets



US D640,522 S

Page 2

U.S. PATENT DOCUMENTS

D577,560 S	9/2008	Franks, Jr.	D8/72	D583,656 S	12/2008	Bush	D8/397
D577,752 S	*	9/2008	McDaniel et al.	D15/140	2003/0025262 A1	2/2003	Kranzler
D582,744 S	*	12/2008	Hansson et al.	D8/71	* cited by examiner		

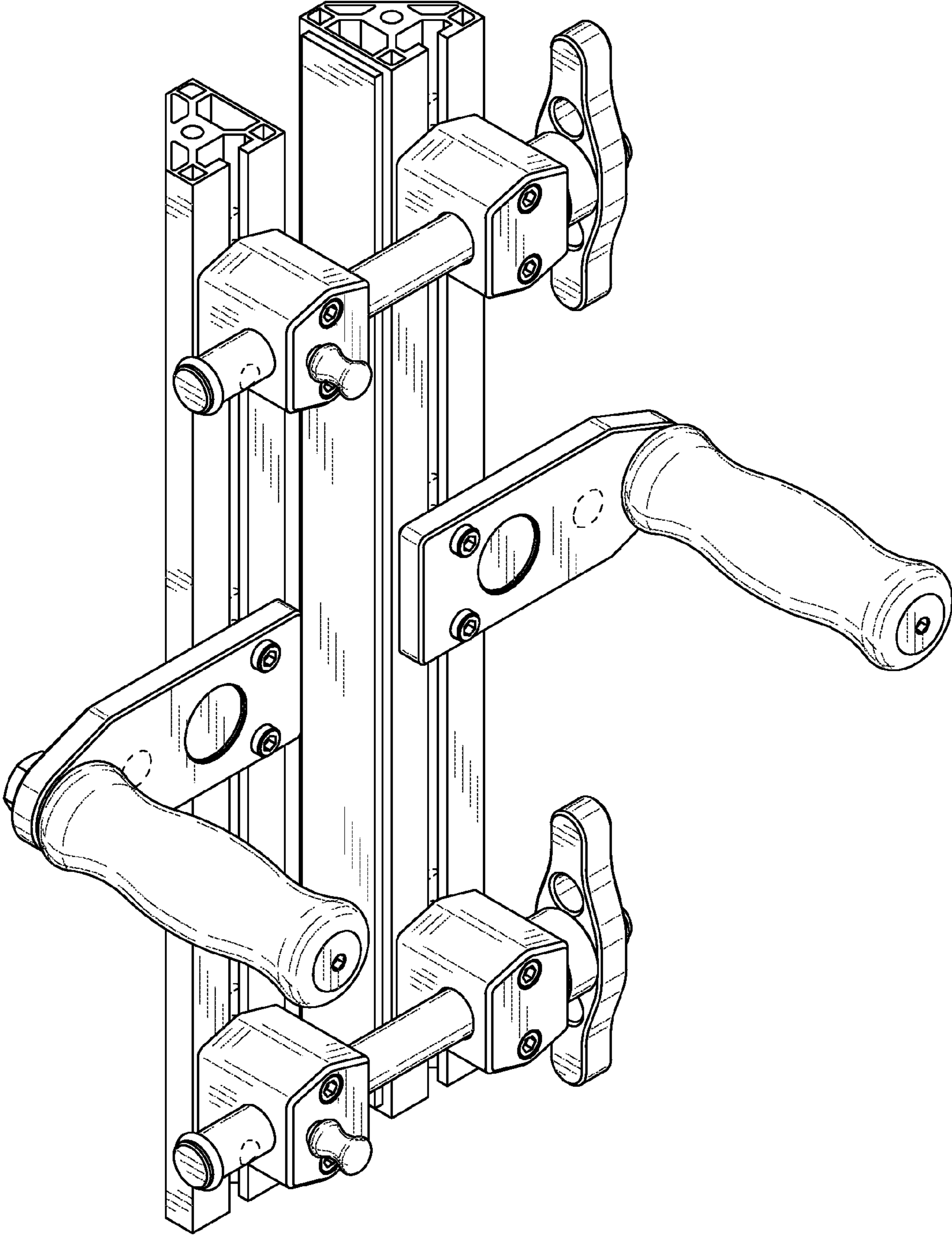


Figure 1

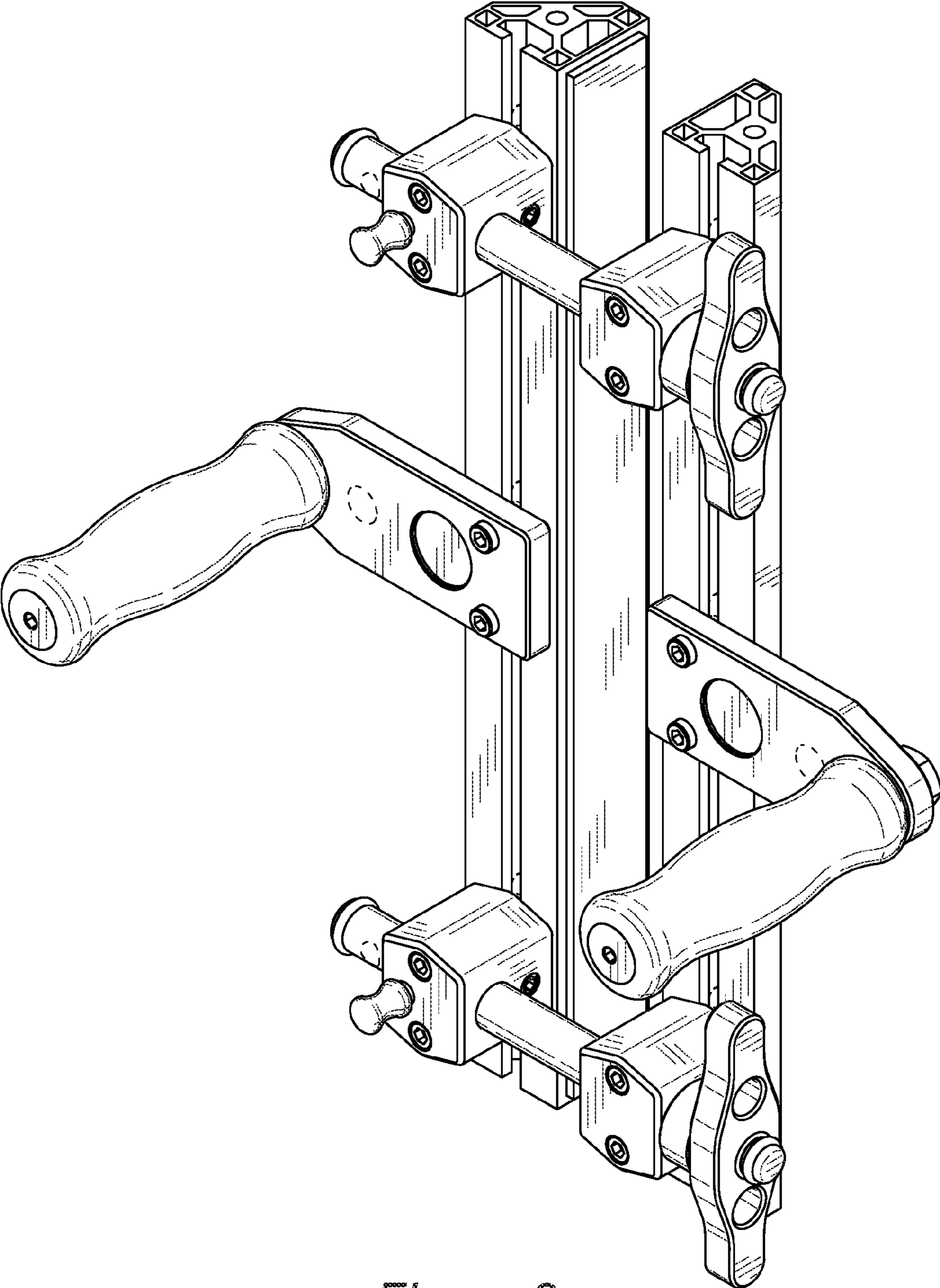


Figure 2

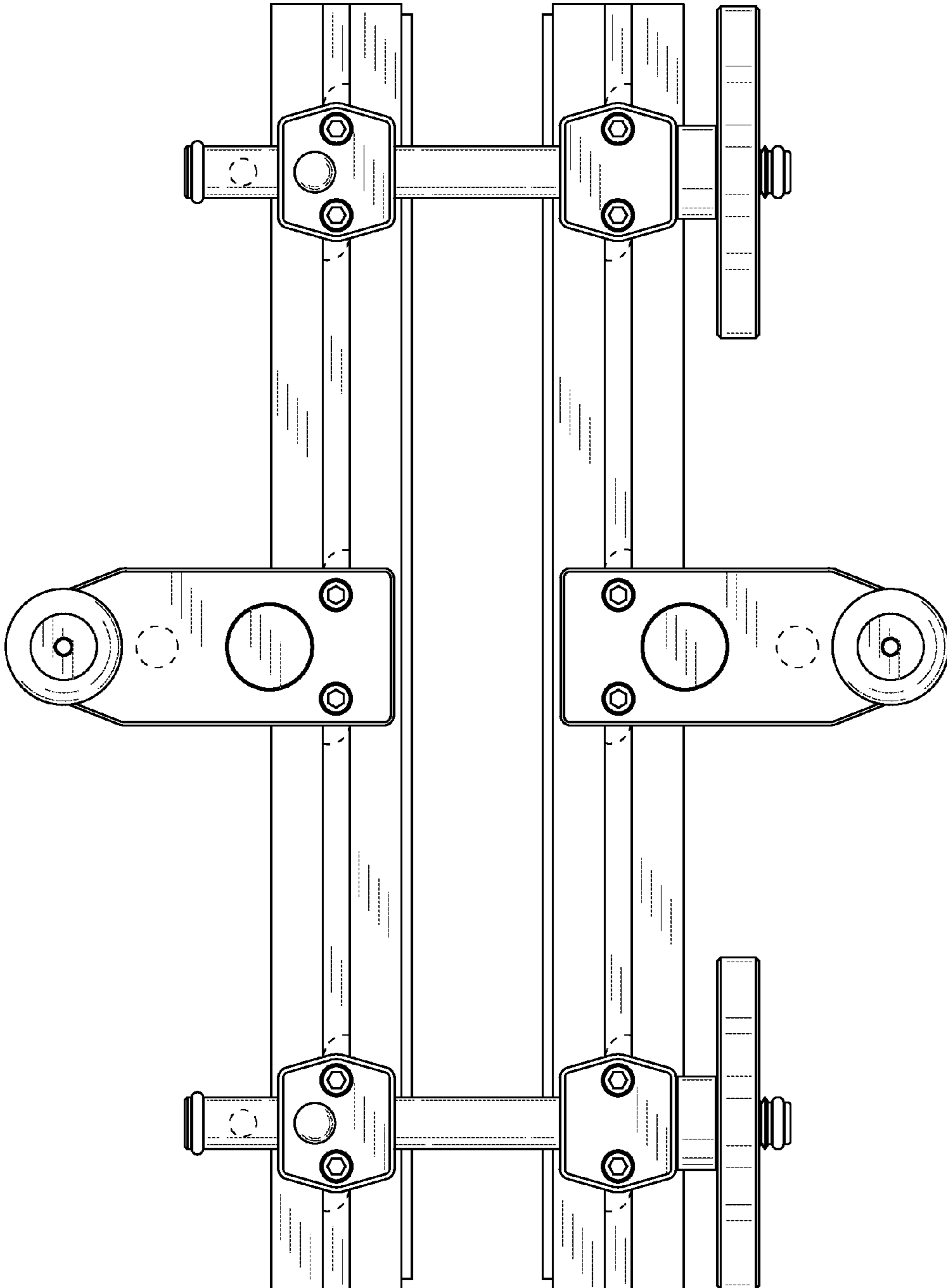


Figure 3

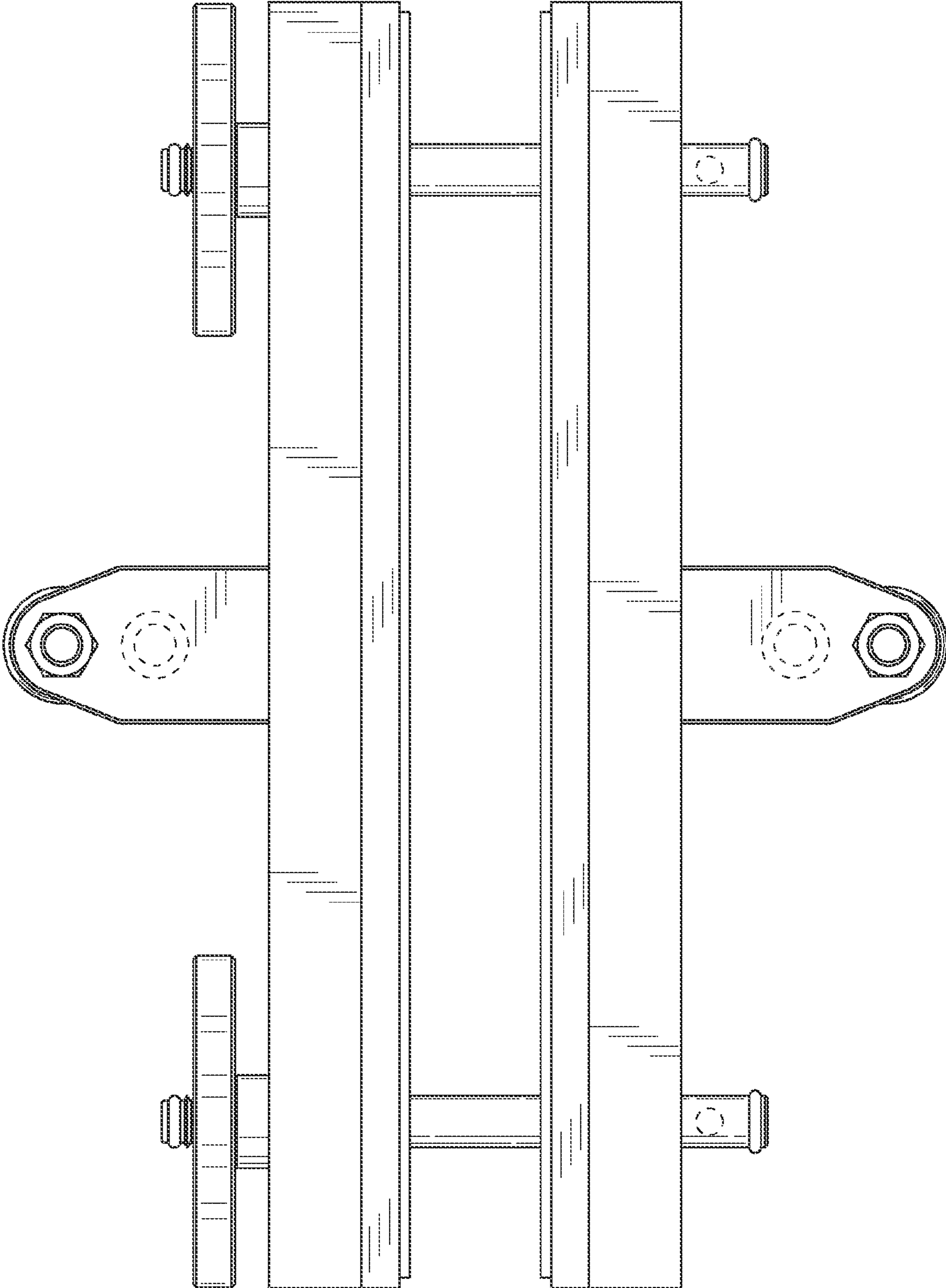


Figure 4

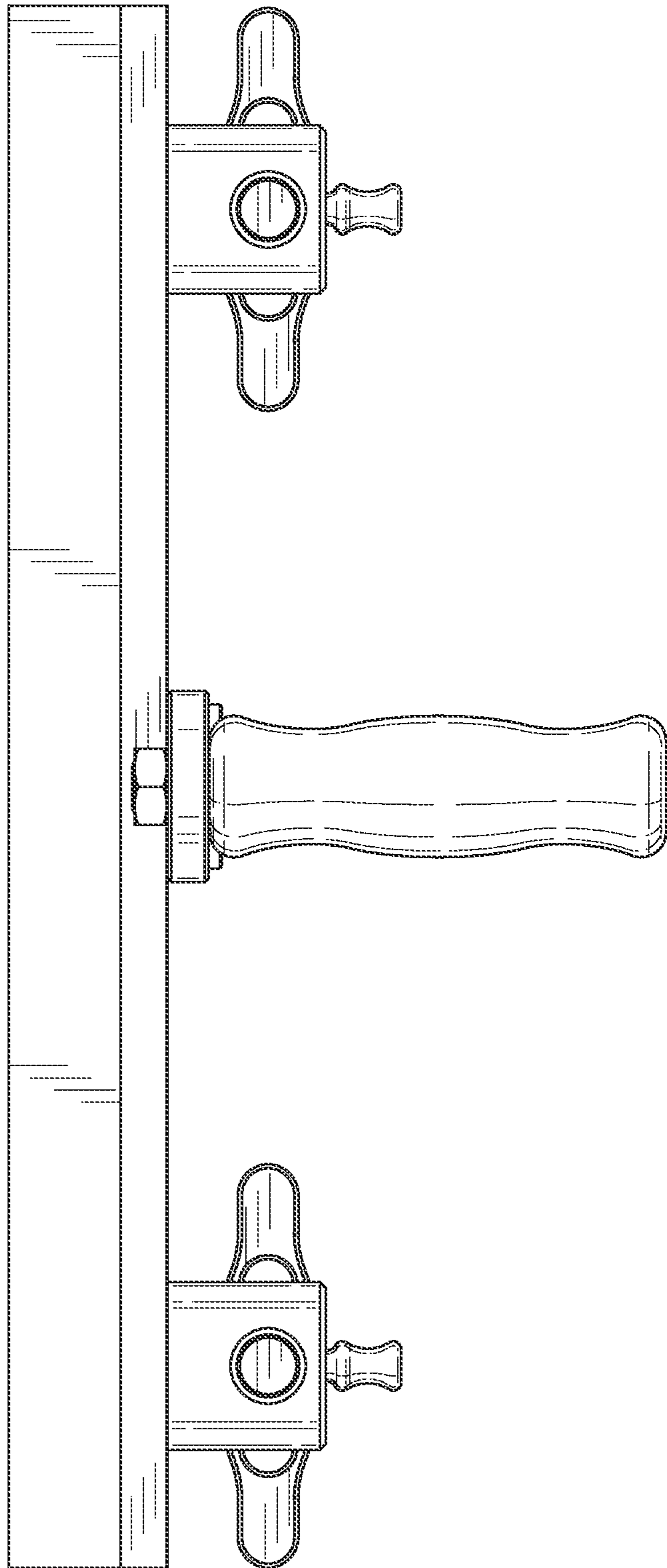


Figure 5

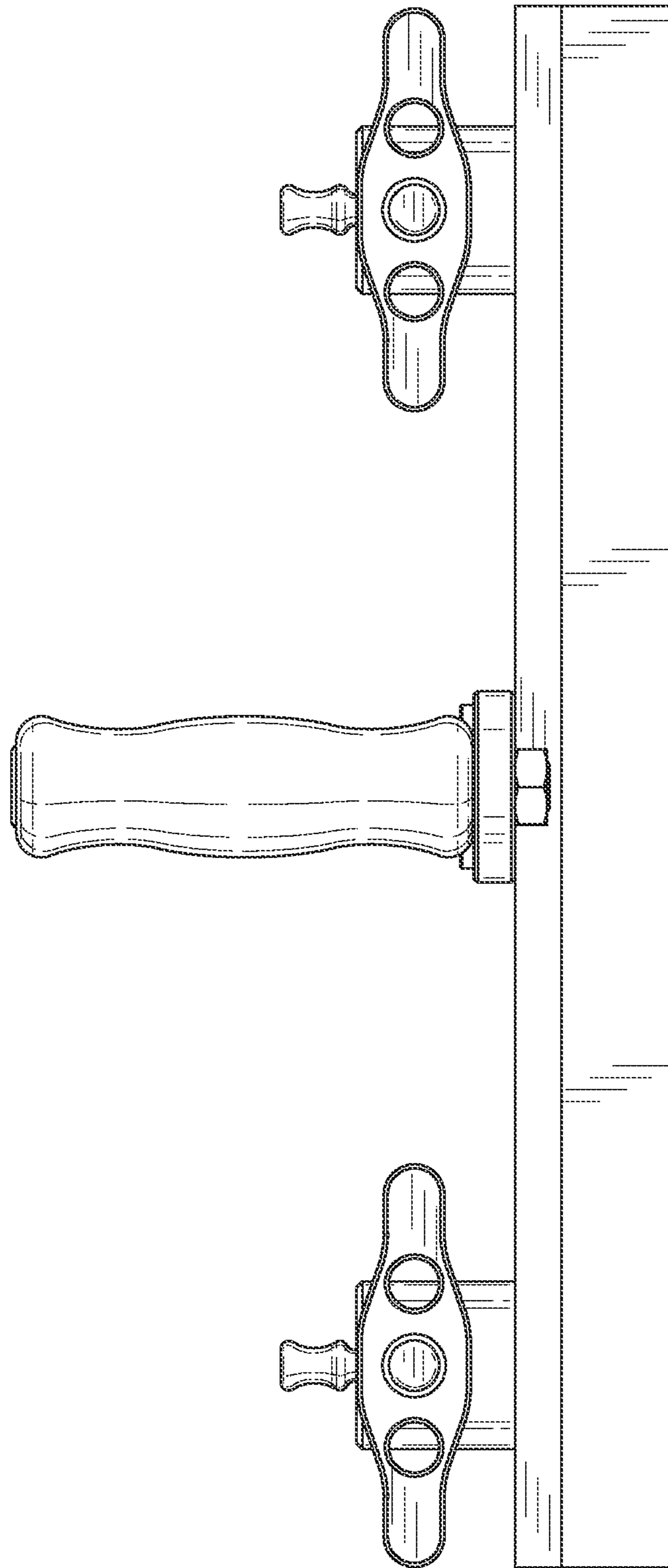


Figure 6

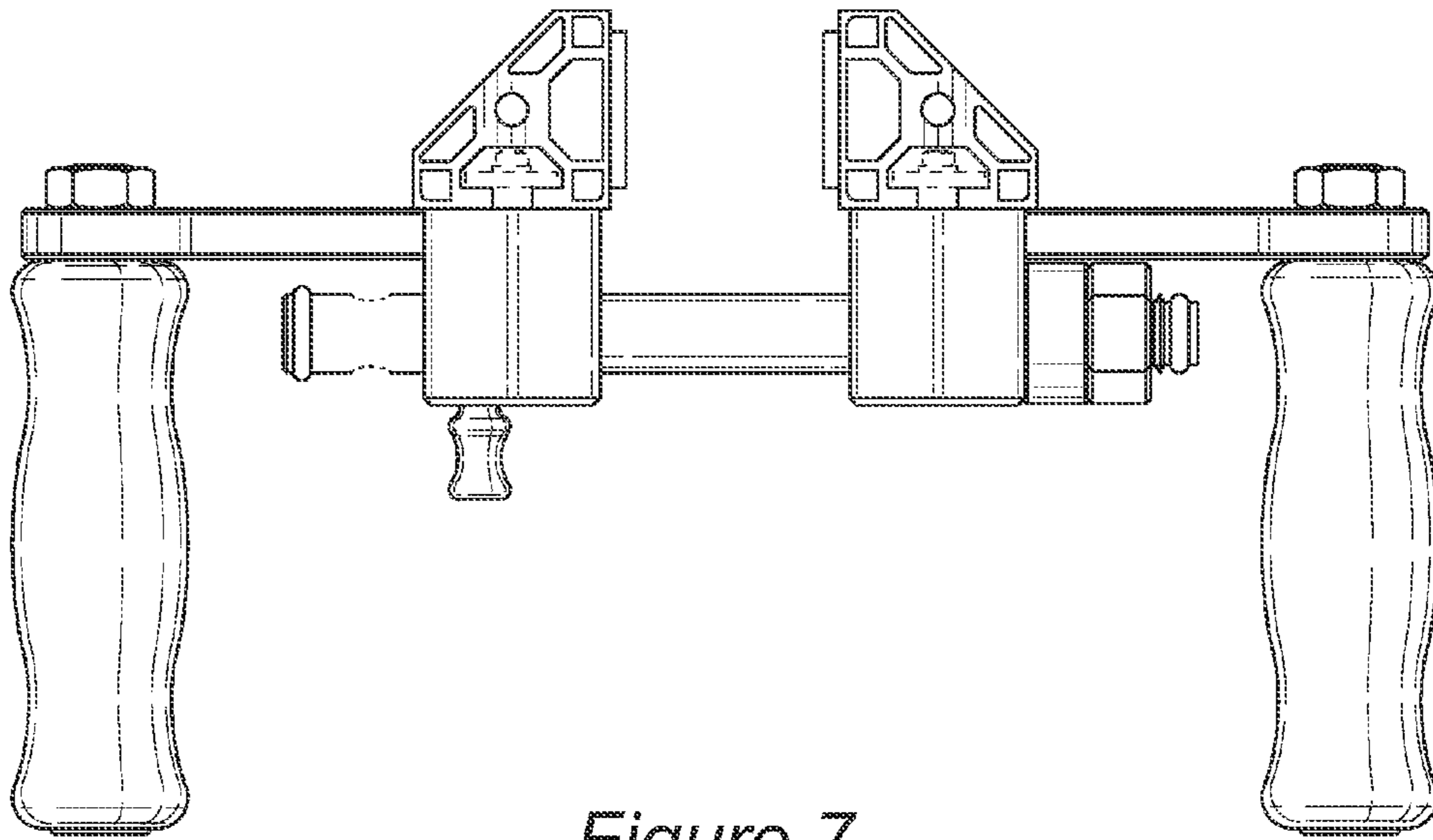


Figure 7

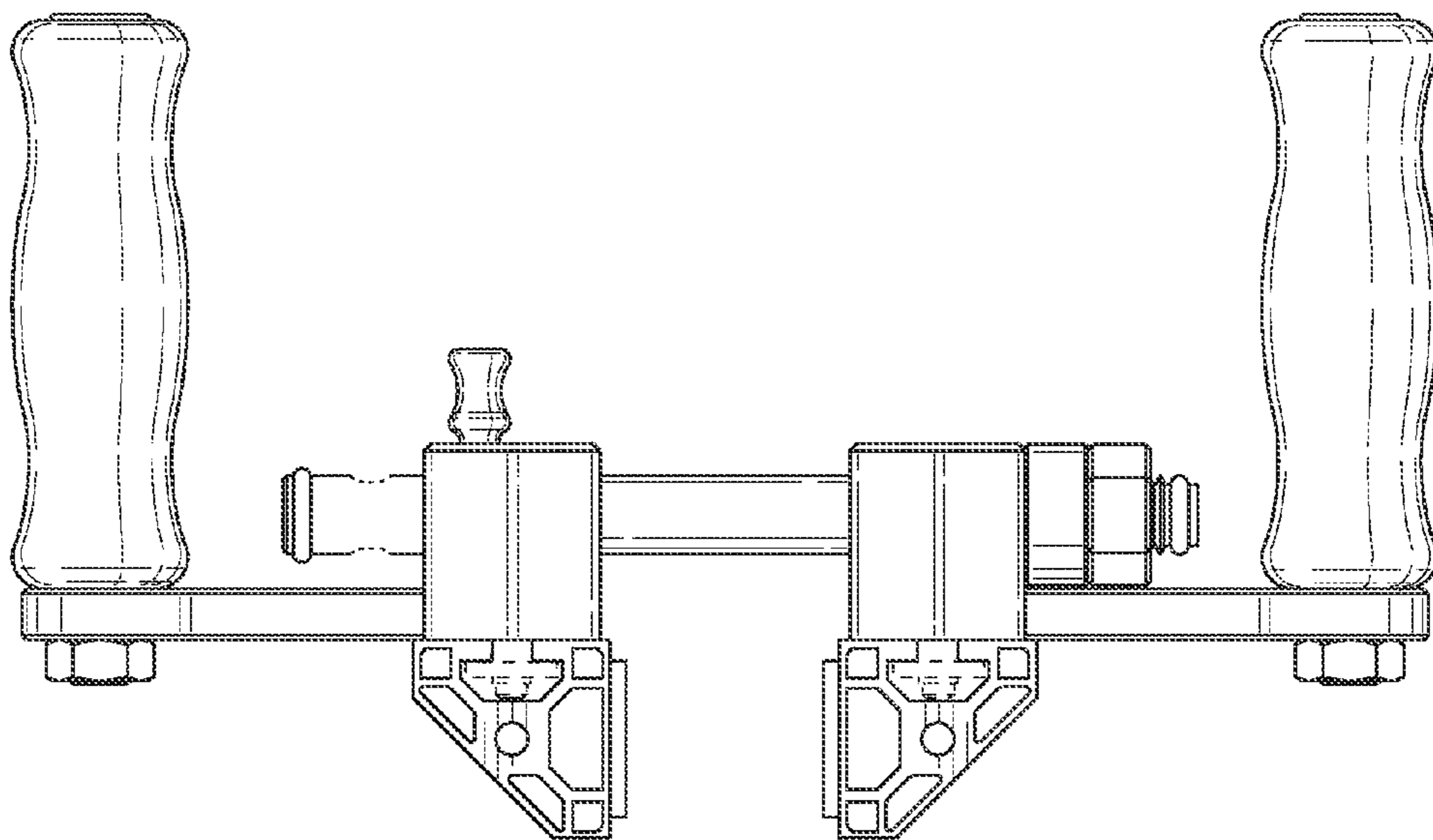


Figure 8