



US00D640521S

(12) **United States Design Patent**
Tschida et al.

(10) **Patent No.:** **US D640,521 S**
(45) **Date of Patent:** **** Jun. 28, 2011**

(54) **MACHINE VISE**

(75) Inventors: **Steven J. Tschida**, Harris, MN (US);
David L. Schmidt, Zimmerman, MN
(US); **Steven J. Dirschel**, Blaine, MN
(US)

(73) Assignee: **Kurt Manufacturing Company, Inc.**,
Minneapolis, MN (US)

(**) Term: **14 Years**

(21) Appl. No.: **29/324,072**

(22) Filed: **Sep. 5, 2008**

(51) **LOC (9) Cl.** **08-05**

(52) **U.S. Cl.** **D8/74**

(58) **Field of Classification Search** D8/71-74,
D8/394-399, 354, 355, 356, 59, 330, 387;
248/62, 63, 72, 74.1, 689, 124.2; 81/487;
269/3, 4, 6, 143, 165, 240, 243, 246-249,
269/254 R, 147-149, 97-100, 900, 45, 76,
269/282; 29/256, 257, 276, 283; D15/140;
D24/143, 140

See application file for complete search history.

(56) **References Cited**

U.S. PATENT DOCUMENTS

| | | | | | | |
|-----------|---|---|---------|----------------|-------|---------|
| D255,643 | S | * | 7/1980 | Speiser et al. | | D8/74 |
| 4,383,682 | A | * | 5/1983 | Feinberg | | 269/76 |
| 5,163,662 | A | | 11/1992 | Bernstein | | 269/136 |
| D355,114 | S | * | 2/1995 | Wizman | | D8/71 |
| 5,505,437 | A | | 4/1996 | Durfee, Jr. | | 269/43 |
| 5,975,513 | A | | 11/1999 | Wolfe | | 269/136 |
| D417,599 | S | | 12/1999 | Wolfe et al. | | D8/74 |
| 6,012,712 | A | | 1/2000 | Bernstein | | 269/43 |
| D420,880 | S | * | 2/2000 | Lavigne et al. | | D8/74 |
| D421,208 | S | * | 2/2000 | Lavigne et al. | | D8/74 |
| 6,032,940 | A | | 3/2000 | Wolfe | | 269/279 |
| D422,868 | S | * | 4/2000 | Lavigne et al. | | D8/74 |

| | | | | | | |
|-----------|----|---|---------|----------------|-------|---------|
| 6,045,126 | A | * | 4/2000 | Brzezinski | | 269/240 |
| D435,772 | S | * | 1/2001 | Lavigne et al. | | D8/74 |
| D436,012 | S | * | 1/2001 | Lavigne et al. | | D8/74 |
| D437,200 | S | * | 2/2001 | Lavigne et al. | | D8/74 |
| 6,672,578 | B1 | * | 1/2004 | Martens | | 269/282 |
| 7,163,201 | B2 | | 1/2007 | Bernstein | | 269/32 |
| D556,004 | S | * | 11/2007 | Coope | | D8/74 |
| 7,568,683 | B1 | * | 8/2009 | Lovas | | 269/45 |

OTHER PUBLICATIONS

Kurt Manufacturing Catalog, pp. 1-11, 34-39 and 46-53. Published before Sep. 5, 2008.

* cited by examiner

Primary Examiner — David Muller

(74) *Attorney, Agent, or Firm* — Westman, Champlin & Kelly, P.A.

(57) **CLAIM**

The ornamental design for a machine vise, as shown and described.

DESCRIPTION

FIG. 1 is a front perspective view of a machine vise embodying our new design;

FIG. 2 is a top plan view thereof;

FIG. 3 is a bottom plan view thereof;

FIG. 4 is a left side elevational view thereof;

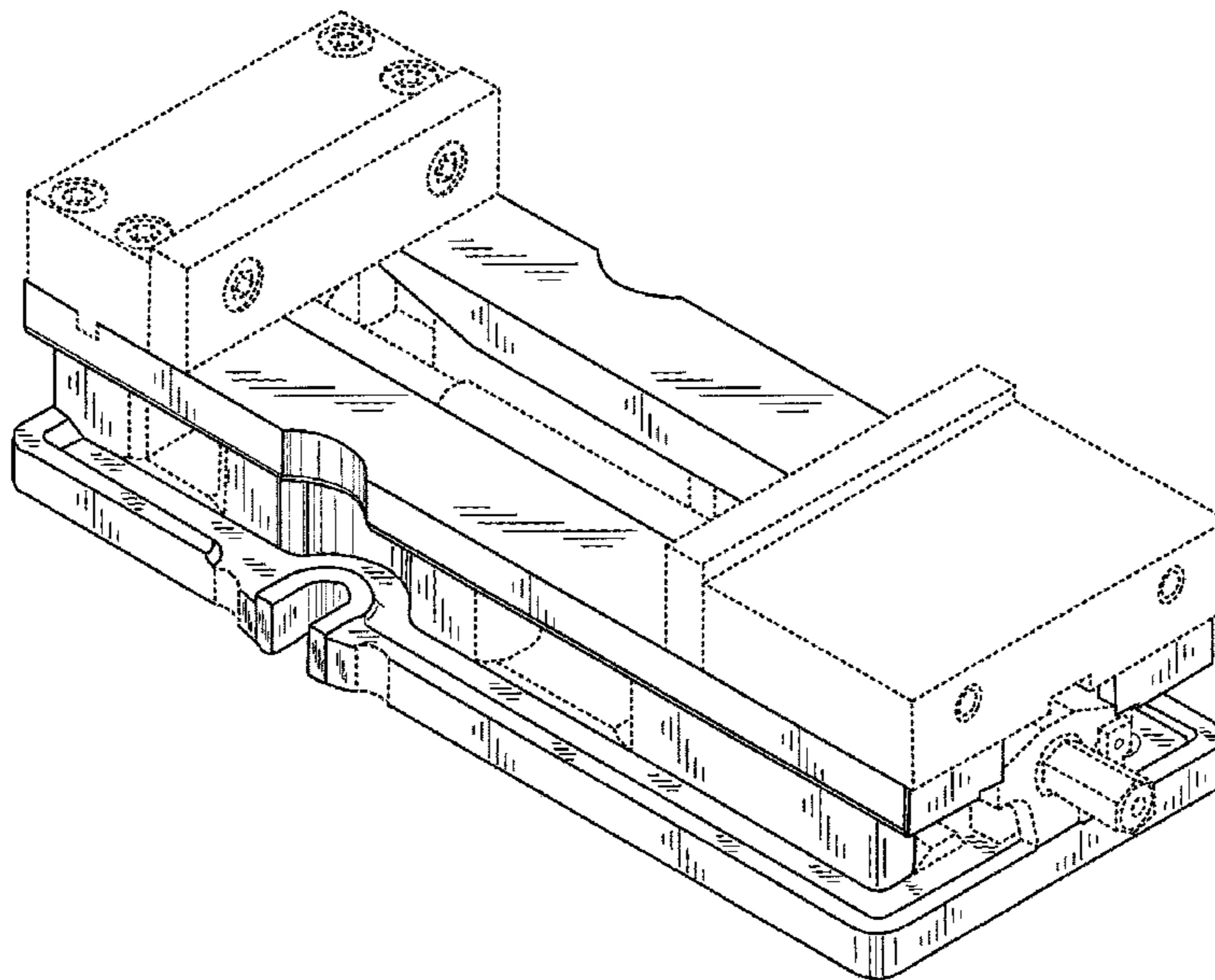
FIG. 5 is a right side elevational view thereof;

FIG. 6 is a rear elevational view thereof; and,

FIG. 7 is a front elevational view thereof.

The dashed lines parallel to the unclaimed central shaft and immediately adjacent to the sides of the rectangular opening in the bottom in FIG. 2 represent the boundaries of the claimed design. The dashed lines in the figures illustrate the portions of the design that form no part of the claimed design. None of the dashed lines form any part of the claimed design.

1 Claim, 6 Drawing Sheets



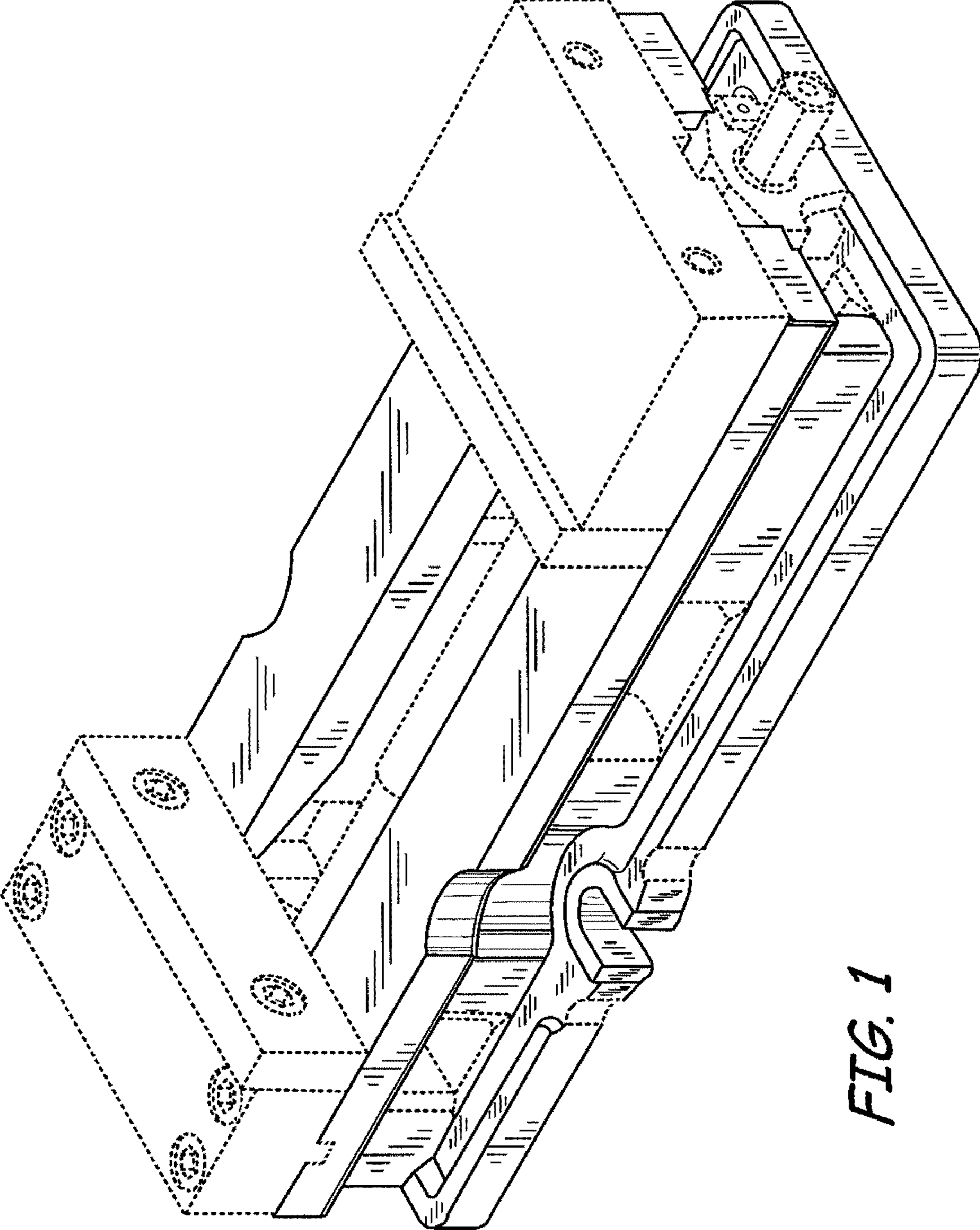


FIG. 1

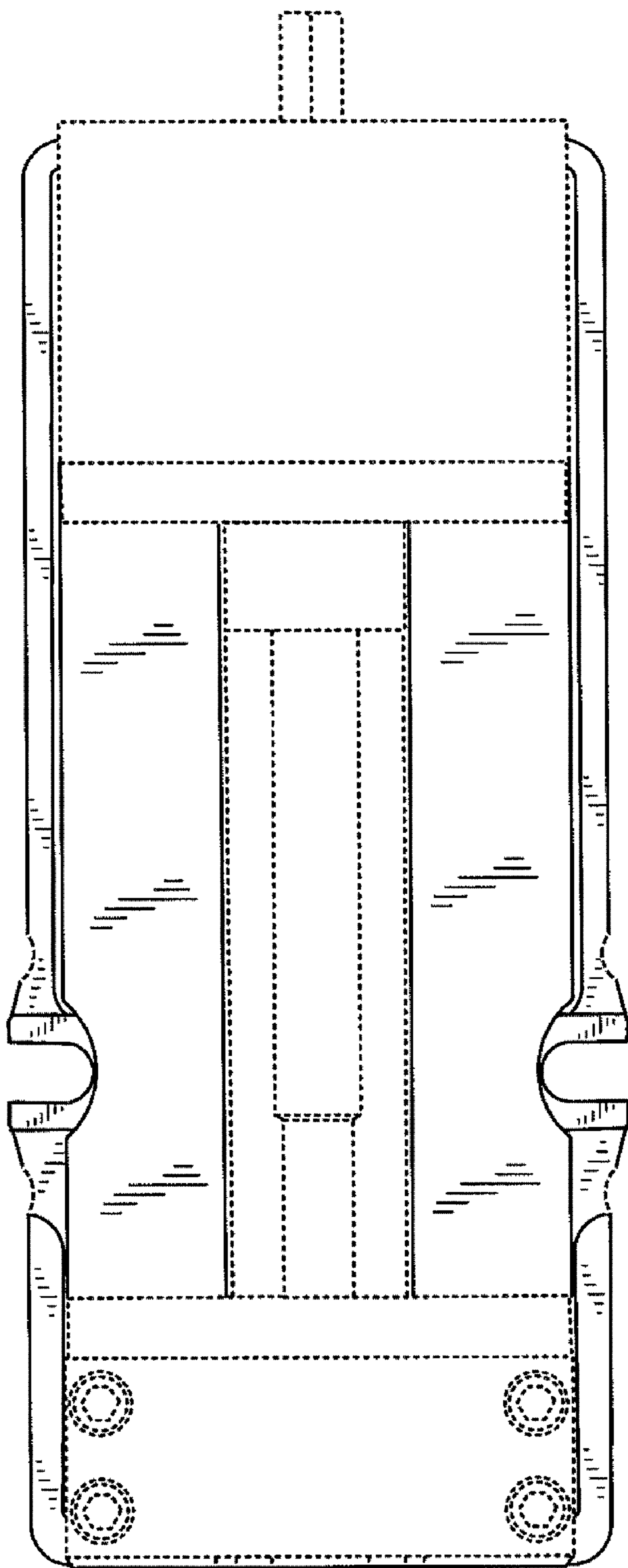


FIG. 2

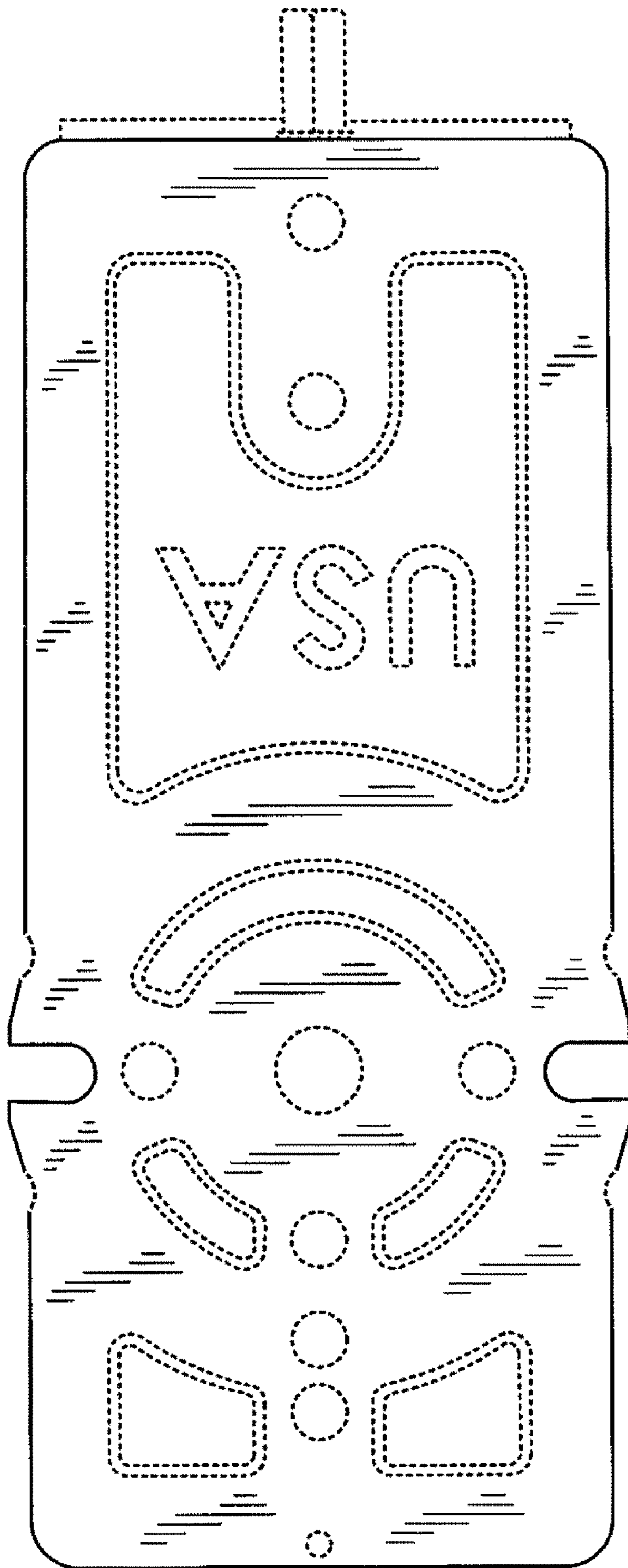


FIG. 3

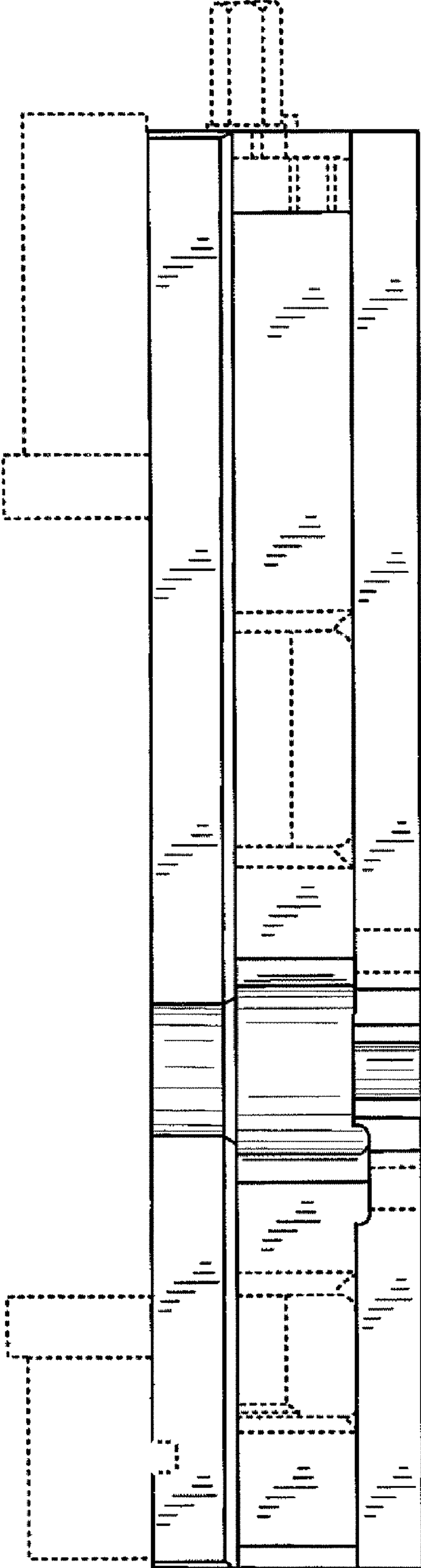


FIG. 4

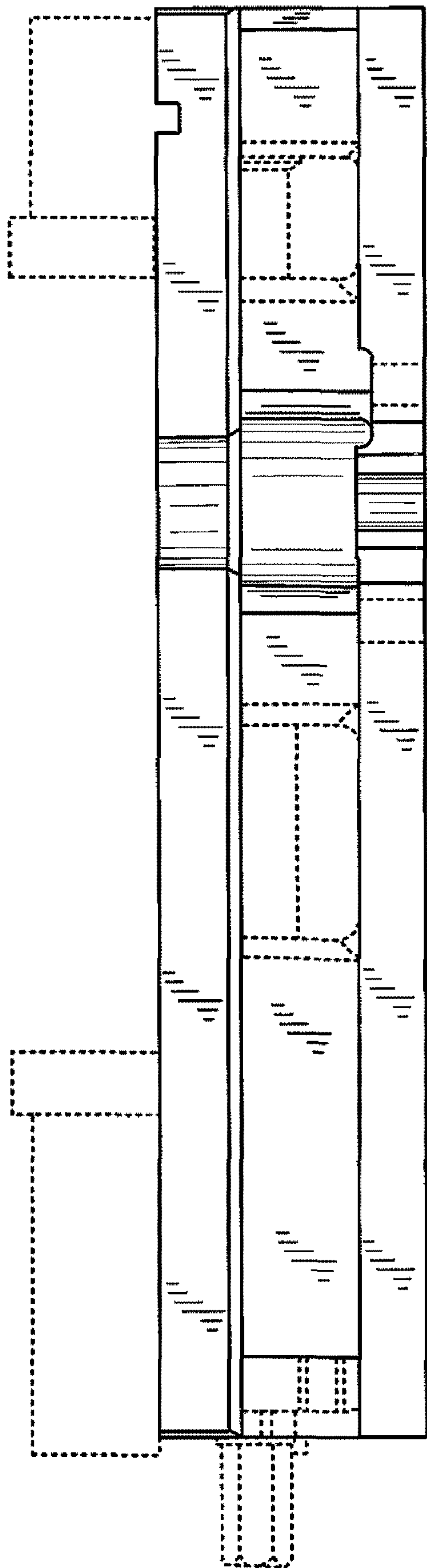


FIG. 5

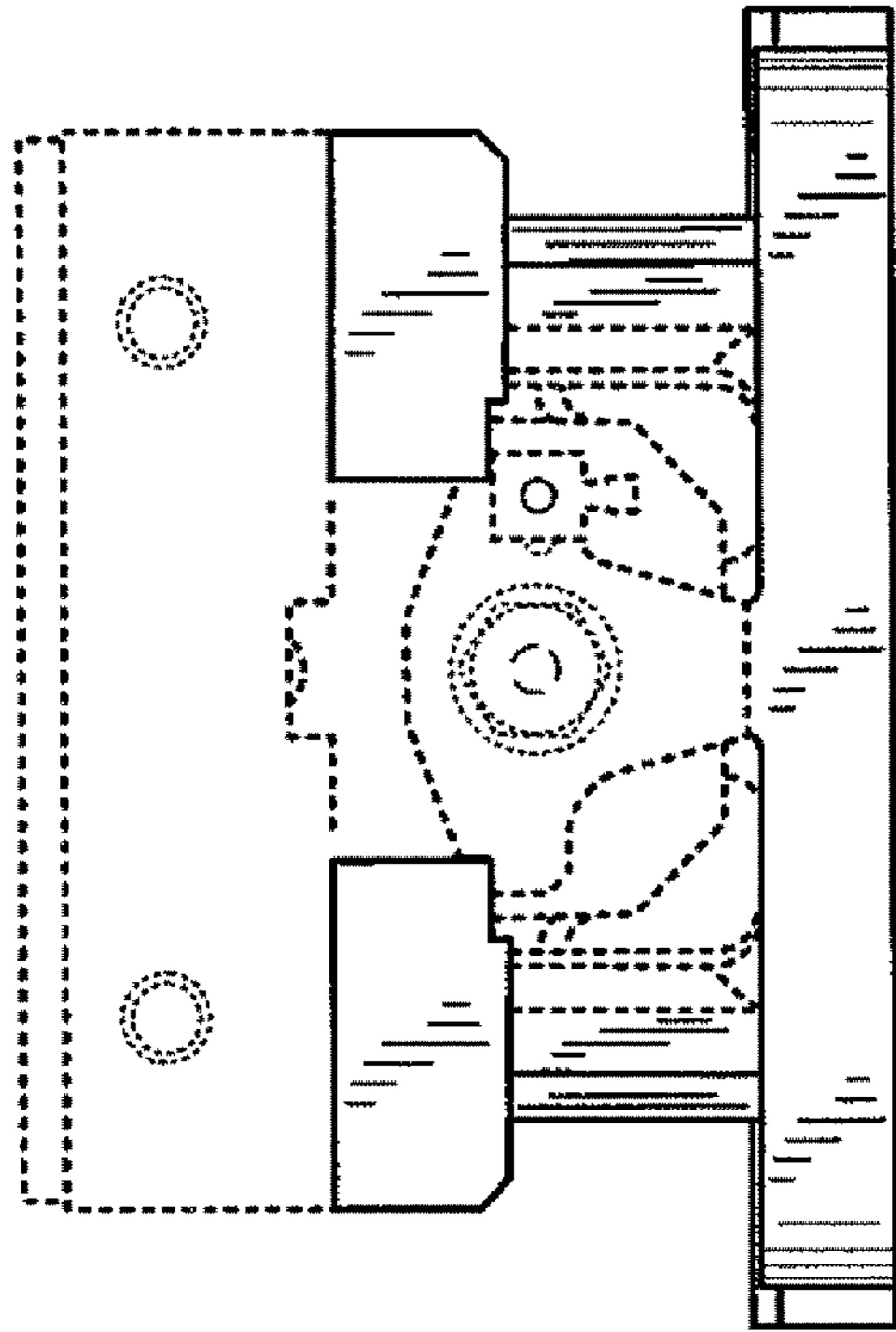


FIG. 6

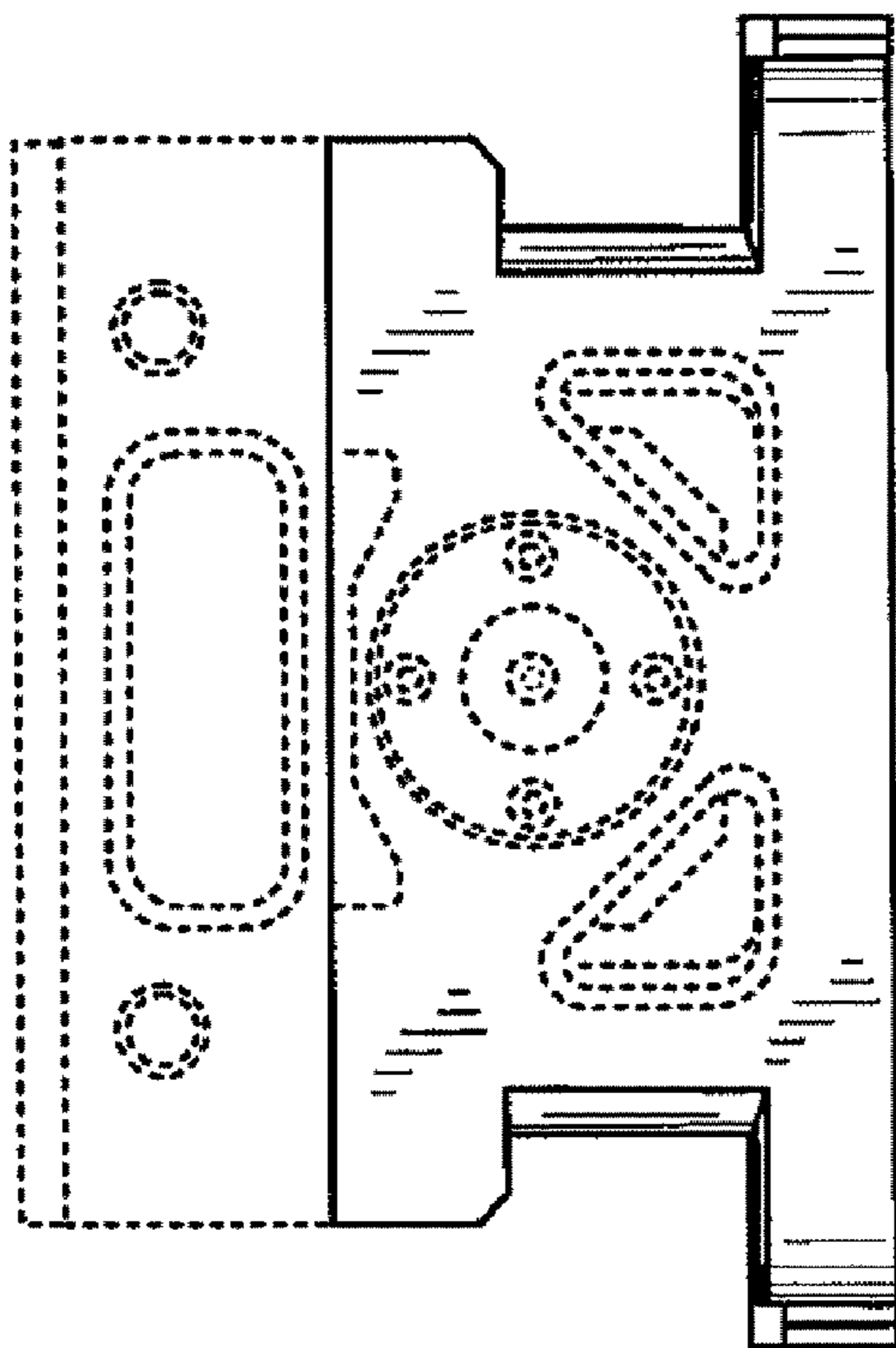


FIG. 7