



US00D640519S

(12) **United States Design Patent**  
**Danias-Borkin**

(10) **Patent No.:** **US D640,519 S**  
(45) **Date of Patent:** **\*\* Jun. 28, 2011**

(54) **MULTI-PURPOSE WAITER'S TOOL**

(76) Inventor: **Nicholas Danias-Borkin**, Santa Monica, CA (US)

(\*\*) Term: **14 Years**

(21) Appl. No.: **29/344,361**

(22) Filed: **Sep. 28, 2009**

(51) **LOC (9) Cl.** ..... **07-99**

(52) **U.S. Cl.** ..... **D8/33; D8/34; D8/42**

(58) **Field of Classification Search** ..... D8/14, D8/16-19, 33-43, 80, 89, 105; D27/140-142, D27/158, 161; 7/113, 151-156; 30/400-410, 30/416-430, 433, 434, 443, 450; 81/3.07, 81/3.09, 3.2, 3.27, 3.29, 3.31, 3.35, 3.37, 81/3.4, 3.45, 3.48, 3.49, 3.55  
See application file for complete search history.

(56) **References Cited**

U.S. PATENT DOCUMENTS

637,048	A *	11/1899	Toulotte	81/3.35
1,695,098	A *	12/1928	Hiering	81/3.35
3,451,076	A *	6/1969	Avery	D8/42
4,854,856	A	8/1989	Steiger, Jr. et al.	
5,007,310	A *	4/1991	Cellini	81/3.45
5,454,282	A *	10/1995	Del Mistro	81/3.48
D389,030	S *	1/1998	Wensley	D8/105
5,829,965	A	11/1998	Rubalcava	
D413,499	S	9/1999	Anderson et al.	
D416,773	S *	11/1999	Cellini	D8/42
D419,418	S *	1/2000	Lin	D8/105
6,027,224	A	2/2000	Schnell	
6,038,723	A *	3/2000	Nabors et al.	7/128
D428,193	S *	7/2000	Chen	D27/141
6,142,769	A	11/2000	Walker	
D452,037	S	12/2001	Smith	
D456,687	S *	5/2002	Economos et al.	D8/105
D460,211	S *	7/2002	Park	D27/143

7,036,952	B2	5/2006	Zirk et al.	
D528,245	S *	9/2006	Smith	D27/142
7,125,145	B2	10/2006	Gardiner et al.	
2006/0262518	A1	11/2006	Thuma et al.	
2008/0201862	A1	8/2008	Menard-Flanagan	
2008/0202535	A1	8/2008	Stokes et al.	

\* cited by examiner

*Primary Examiner* — Garth Rademaker  
(74) *Attorney, Agent, or Firm* — Cislo & Thomas, LLP

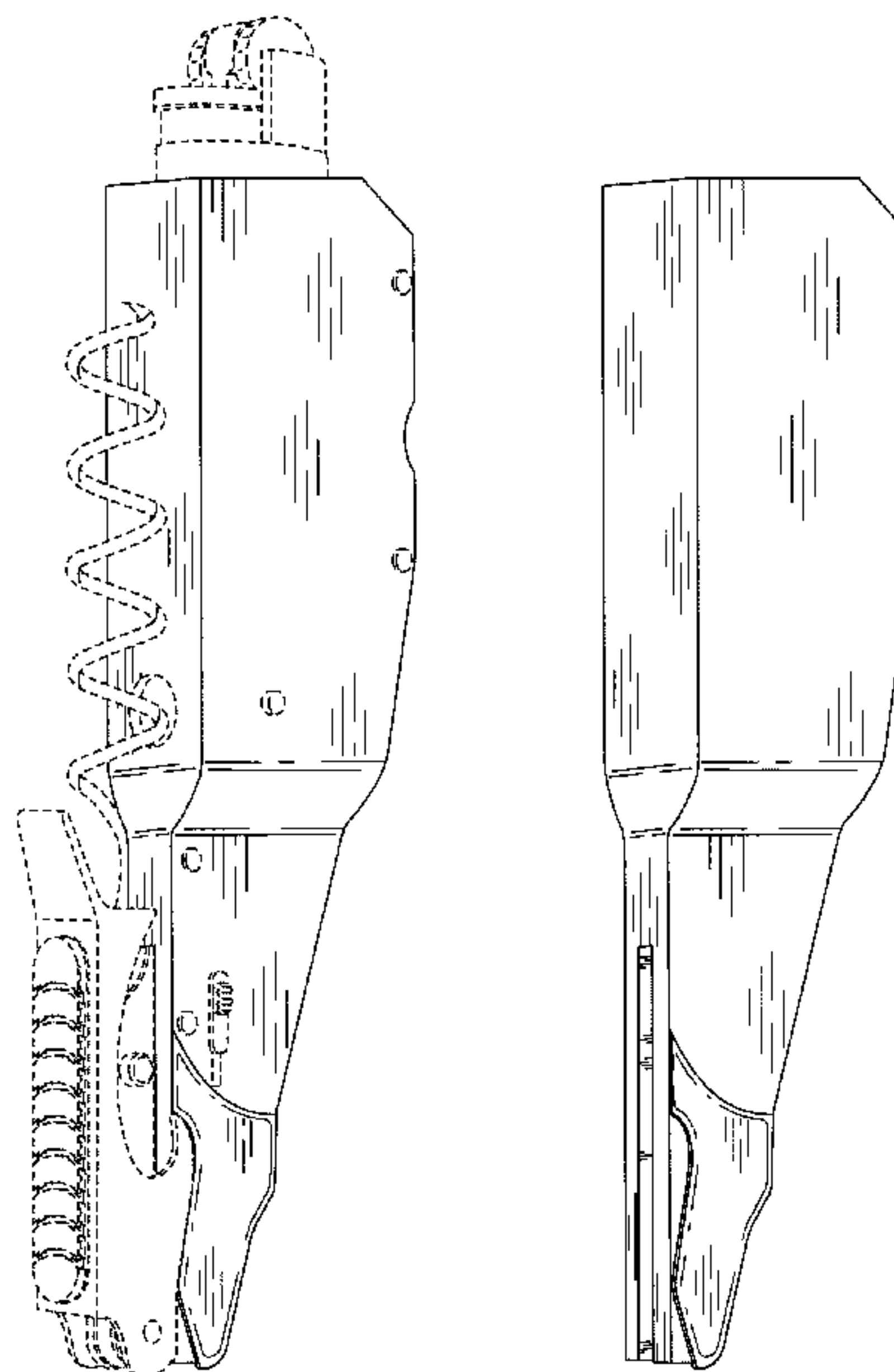
(57) **CLAIM**

The ornamental design for a multi-purpose waiter's tool, as shown and described.

**DESCRIPTION**

FIG. 1 is a perspective view of a multi-purpose waiter's tool; FIG. 2 is a second perspective view thereof, with the broken-line portions removed; FIG. 3 is a right side elevation view thereof; FIG. 4 is a right side elevation view thereof, with the broken-line portions removed; FIG. 5 is a left side elevation view thereof; FIG. 6 is a rear elevation view thereof; FIG. 7 is a front elevation view thereof; FIG. 8 is a top plan view thereof; FIG. 9 is a top plan view thereof, with the broken-line portions removed; FIG. 10 is a bottom plan view thereof; FIG. 11 is a bottom plan view thereof, with the broken-line portions removed; FIG. 12 is a third perspective view thereof, shown with the broken-line portions in an open position of use; and, FIG. 13 is a second front elevation view thereof, shown with the broken-line portions in an open position of use. The broken line portions of the disclosure are included for the purpose of illustrating environment and form no part of the claimed design.

**1 Claim, 5 Drawing Sheets**



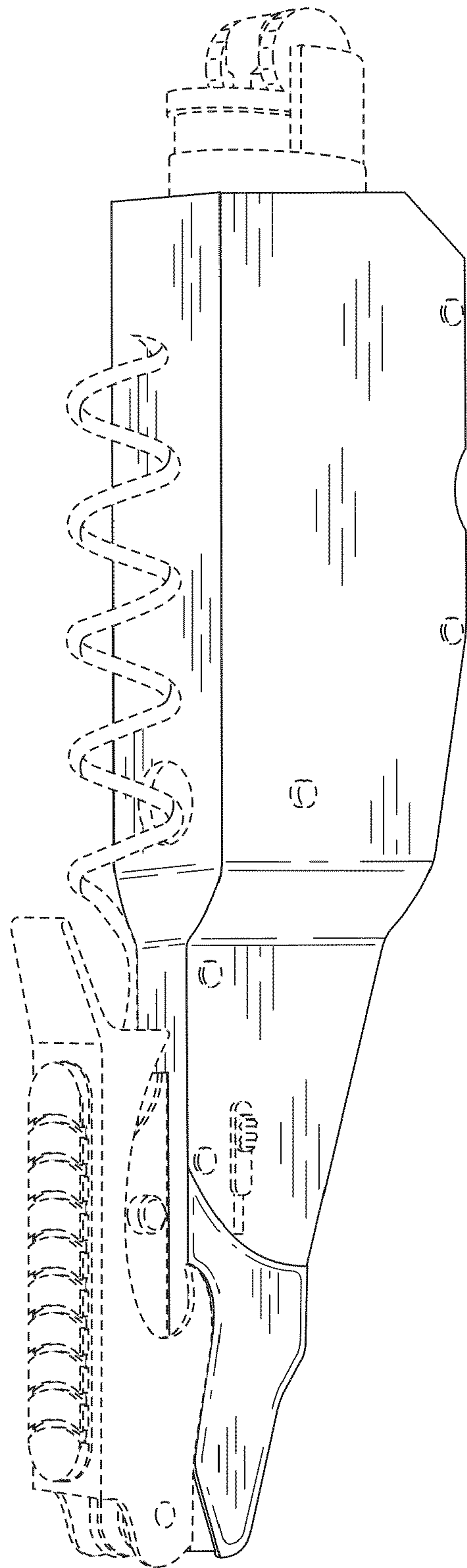


Fig. 1

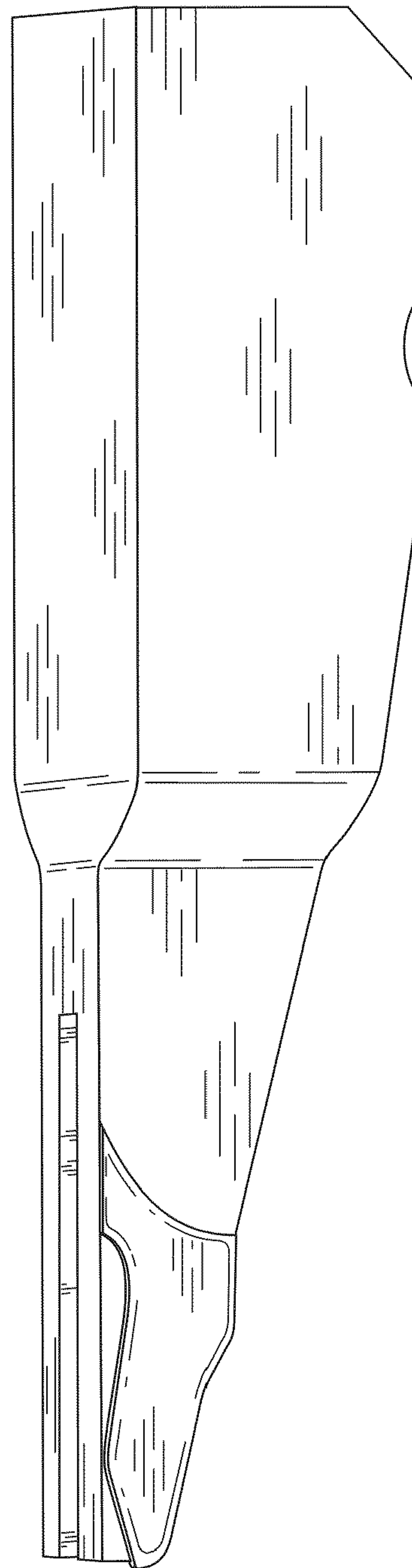


Fig. 2

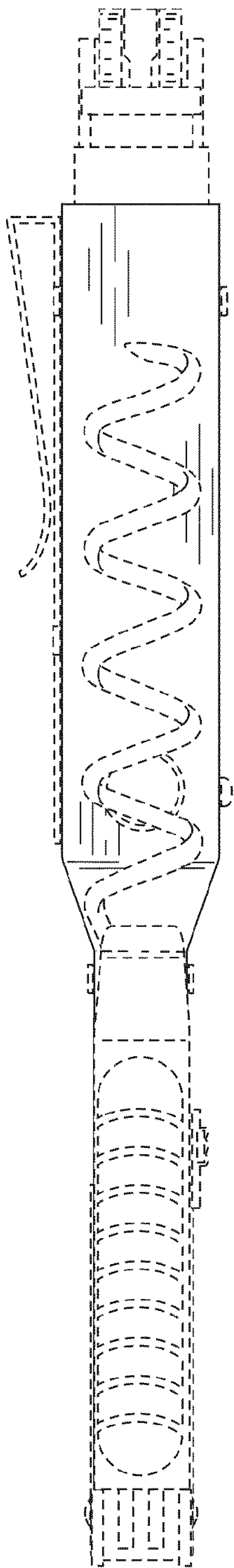


Fig. 3

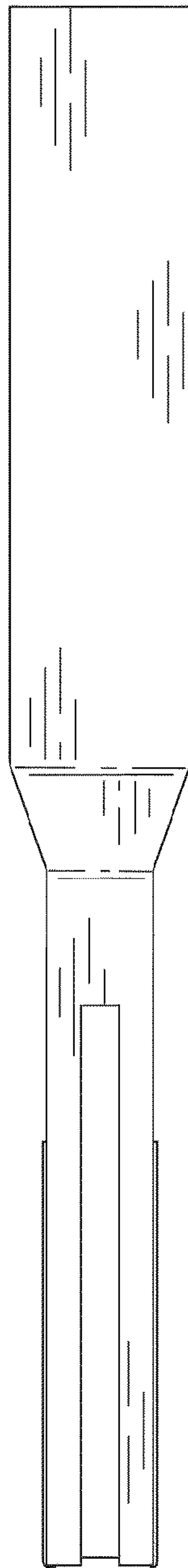


Fig. 4

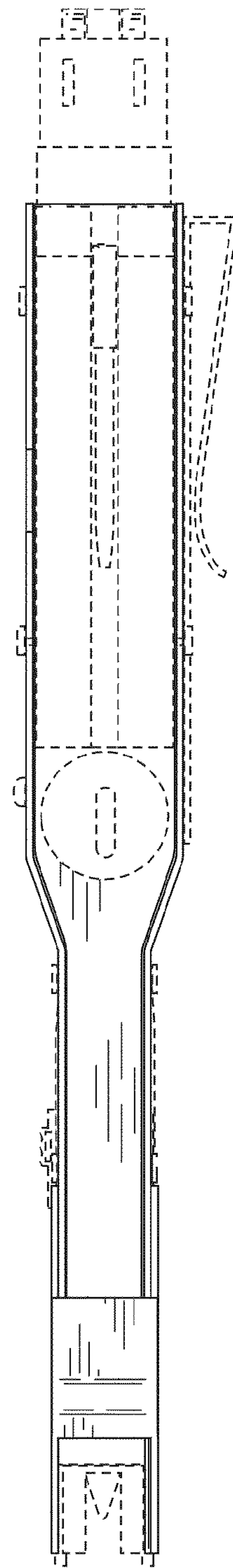


Fig. 5



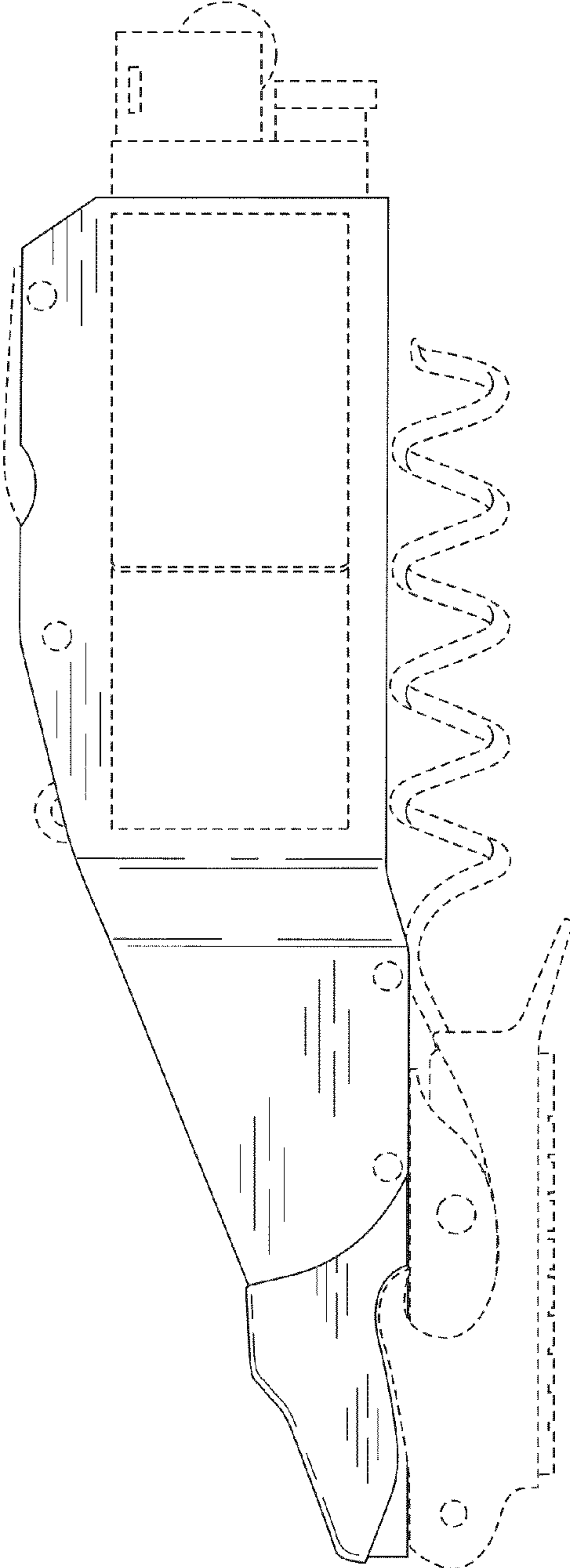


Fig. 6

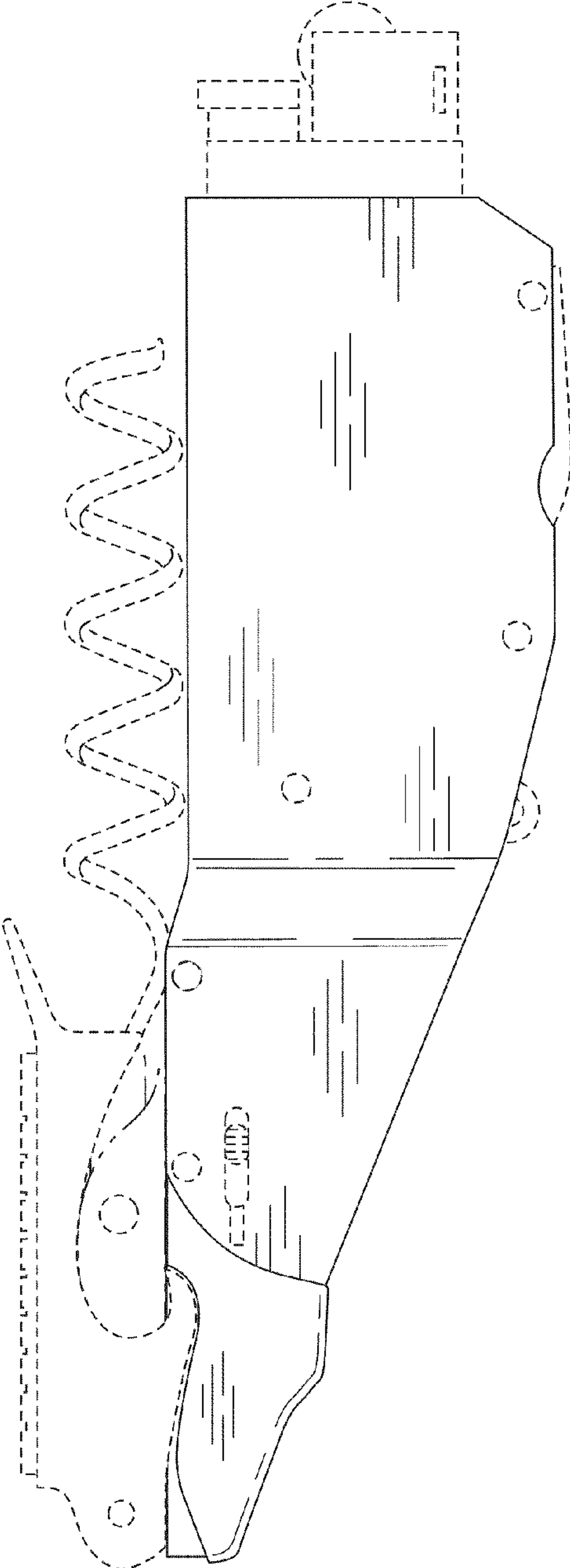


Fig. 7

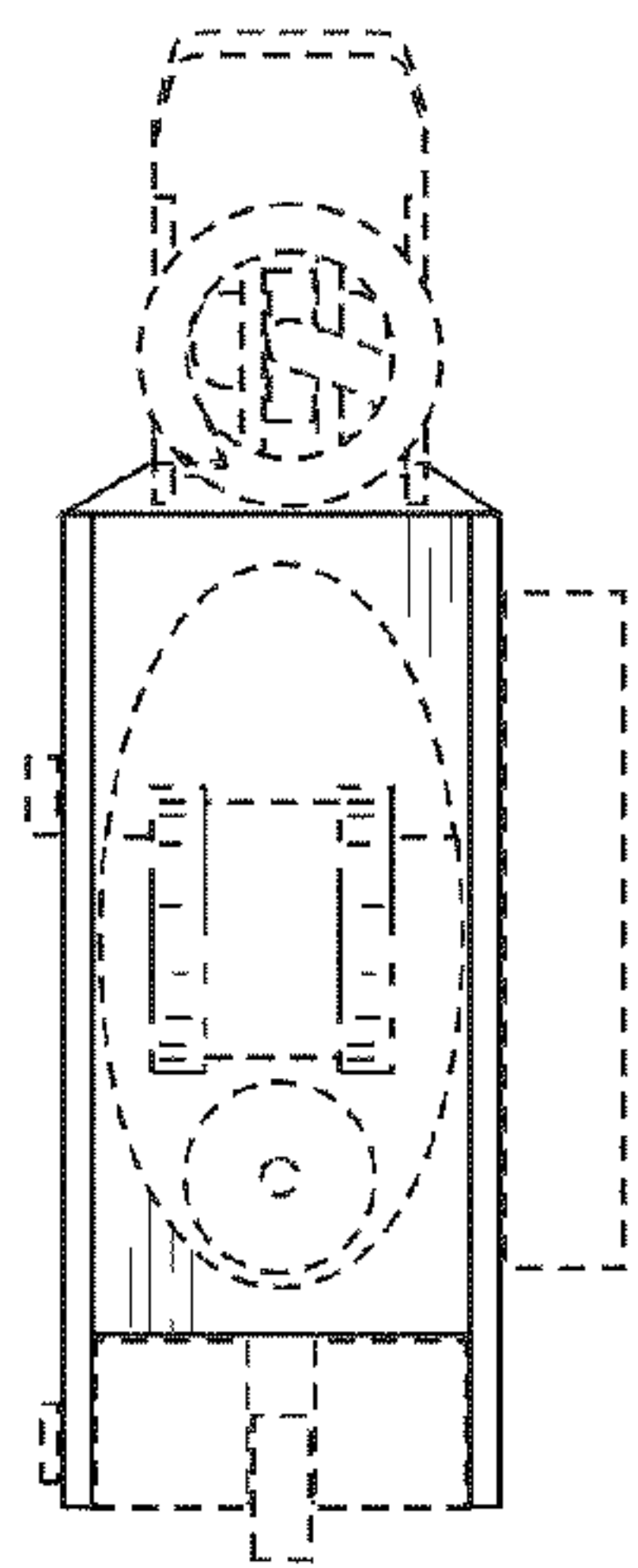


Fig. 8

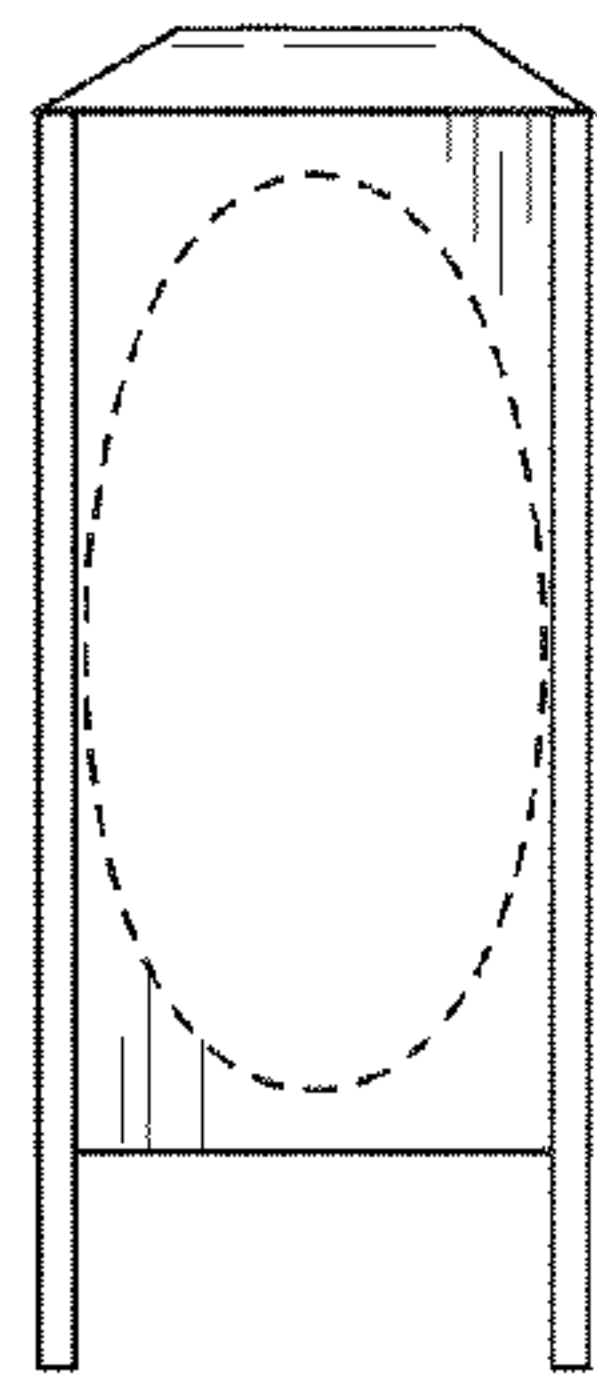


Fig. 9

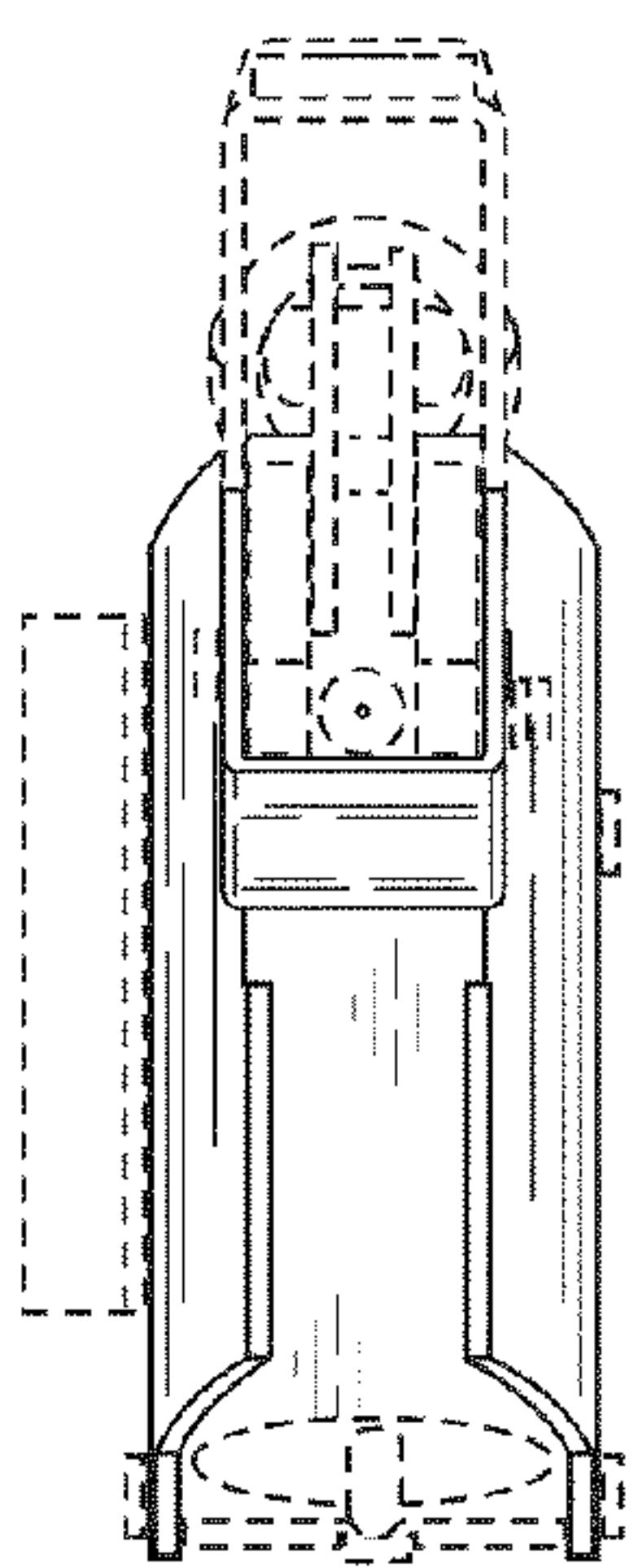


Fig. 10

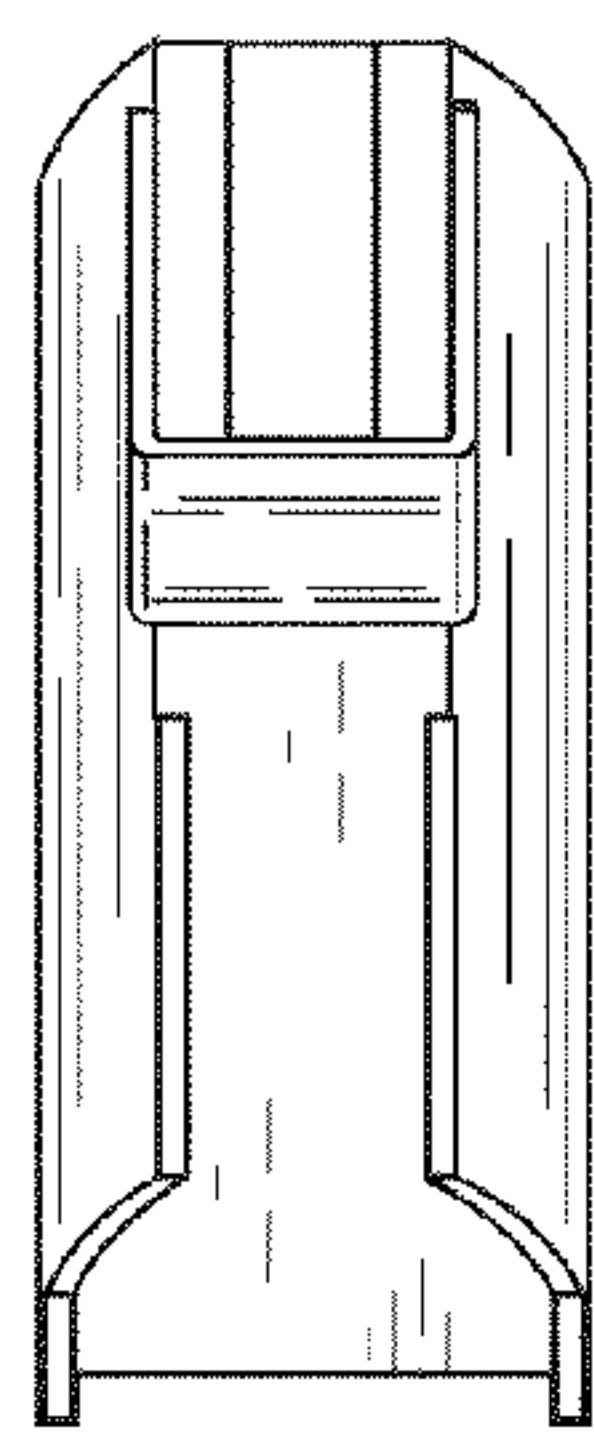


Fig. 11

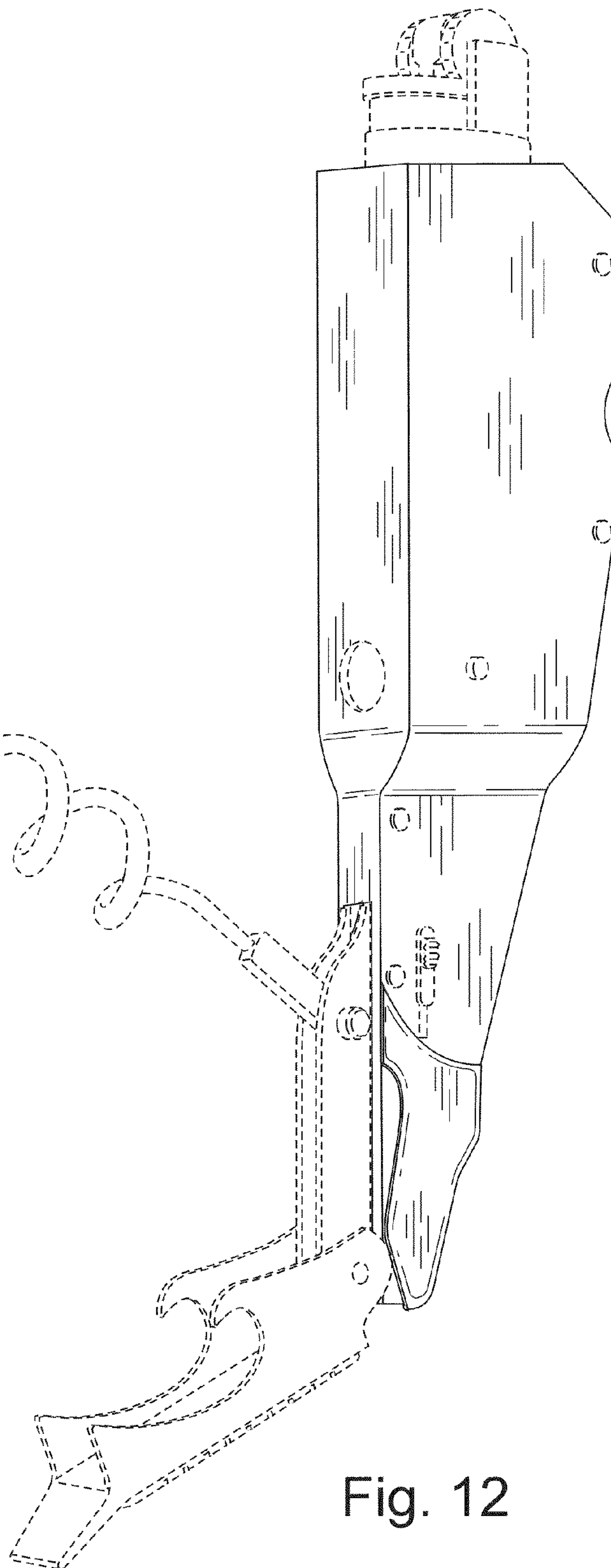


Fig. 12

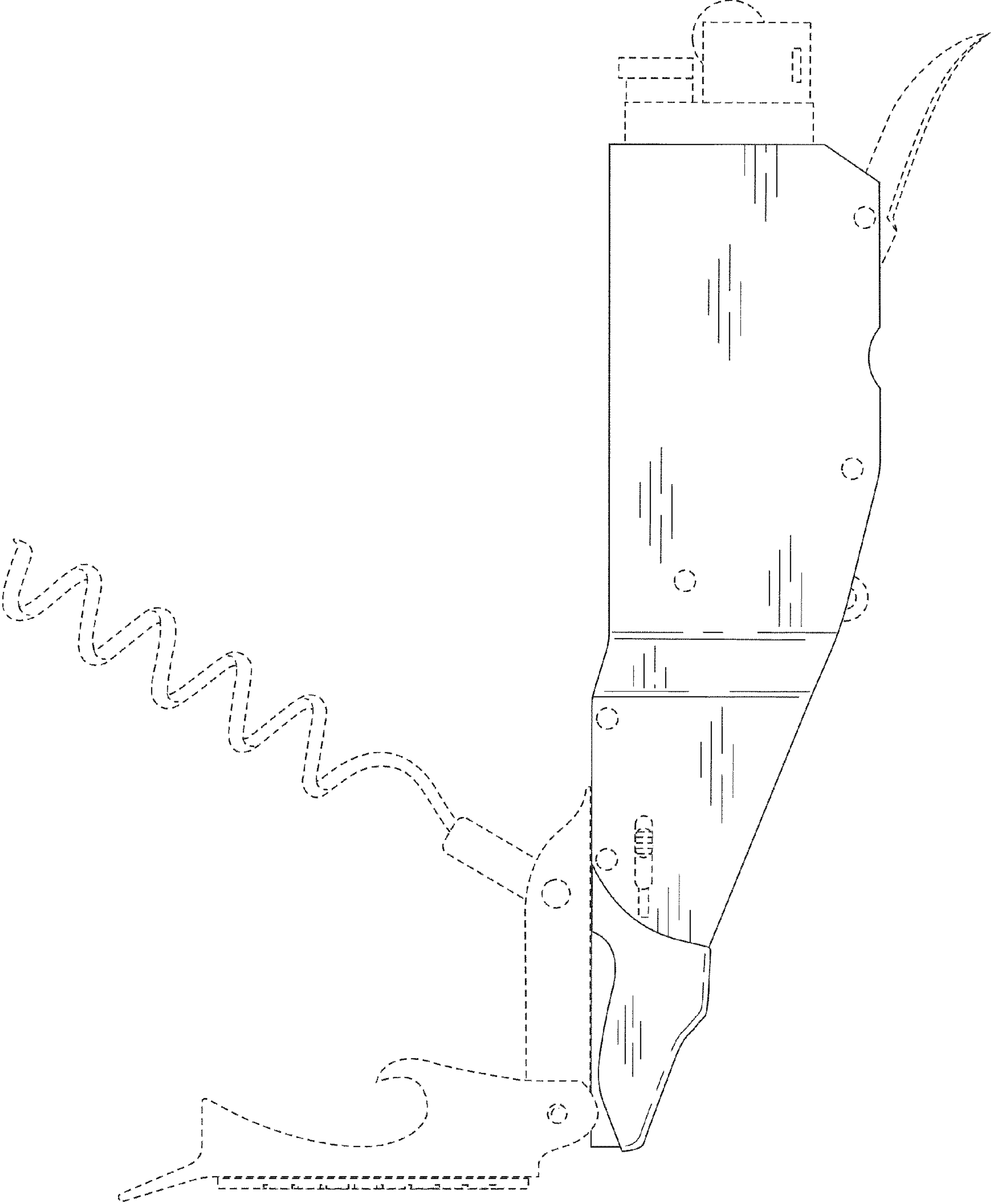


Fig. 13