

US00D640518S

(12) **United States Design Patent**  
**Kriz et al.**

(10) **Patent No.:** **US D640,518 S**  
(45) **Date of Patent:** **\*\* Jun. 28, 2011**

- (54) **ROTARY RATCHET WRENCH**
- (75) Inventors: **Anthony Kriz**, Lone Tree, CO (US); **YaoKun Gui**, Shanghai (CN); **Brent Christopher**, Portland, OR (US); **Mark Holtan**, Centennial, CO (US)
- (73) Assignee: **Meridian International Co., Ltd.** (CN)
- (\*\*) Term: **14 Years**
- (21) Appl. No.: **29/384,776**
- (22) Filed: **Feb. 3, 2011**

- 1,811,137 A 6/1931 Kress
- 2,028,561 A 1/1936 Pilger
- 2,500,835 A 3/1950 Lang
- 2,628,522 A 2/1953 Kraft
- 2,712,258 A 7/1955 Keith
- 2,751,802 A 6/1956 Reuillard
- 2,769,360 A 11/1956 Cottrell
- 2,951,405 A 9/1960 Engquist
- D224,677 S 8/1972 Lehnhardt
- 4,748,875 A 6/1988 Lang
- D299,206 S 1/1989 Krapowicz
- 4,901,608 A 2/1990 Shieh
- 4,916,987 A 4/1990 Le Duc

(Continued)

**Related U.S. Application Data**

- (60) Division of application No. 29/361,537, filed on May 12, 2010, now Pat. No. Des. 632,535, which is a continuation of application No. 12/617,200, filed on Nov. 12, 2009.
- (51) **LOC (9) Cl.** ..... **08-05**
- (52) **U.S. Cl.** ..... **D8/28**
- (58) **Field of Classification Search** ..... D8/17, D8/21-29, 354, 107; 81/60, 177.1, 177.85, 81/121.1, 124.3, 165-170, 110.1, 176.2, 81/124.6, 176.1, 176.15, 177.2, 186; 16/110.1; D15/144.1, 143; 219/75, 227, 229, 121.16, 219/121.18

See application file for complete search history.

(56) **References Cited**

**U.S. PATENT DOCUMENTS**

- 0,065,550 A 6/1867 Dunlan
- 0,278,053 A 5/1883 Shipherd
- 0,915,446 A 3/1909 Kearnes
- D53,597 S 7/1919 Marcmann
- D57,323 S 3/1921 Evans
- 1,431,064 A 10/1922 Treisch
- 1,453,607 A 5/1923 Saucier
- 1,571,148 A 1/1926 Sisolak
- 1,796,083 A 3/1931 Carlberg

**FOREIGN PATENT DOCUMENTS**

- DE 1136950 9/1962

(Continued)

**OTHER PUBLICATIONS**

European Search Report dated Feb. 17, 2011 from related foreign application.

(Continued)

*Primary Examiner* — Raphael Barkai

*Assistant Examiner* — Randall Gholson

(74) *Attorney, Agent, or Firm* — Jason R. Sytsma; Shuttleworth & Ingersoll, PLC

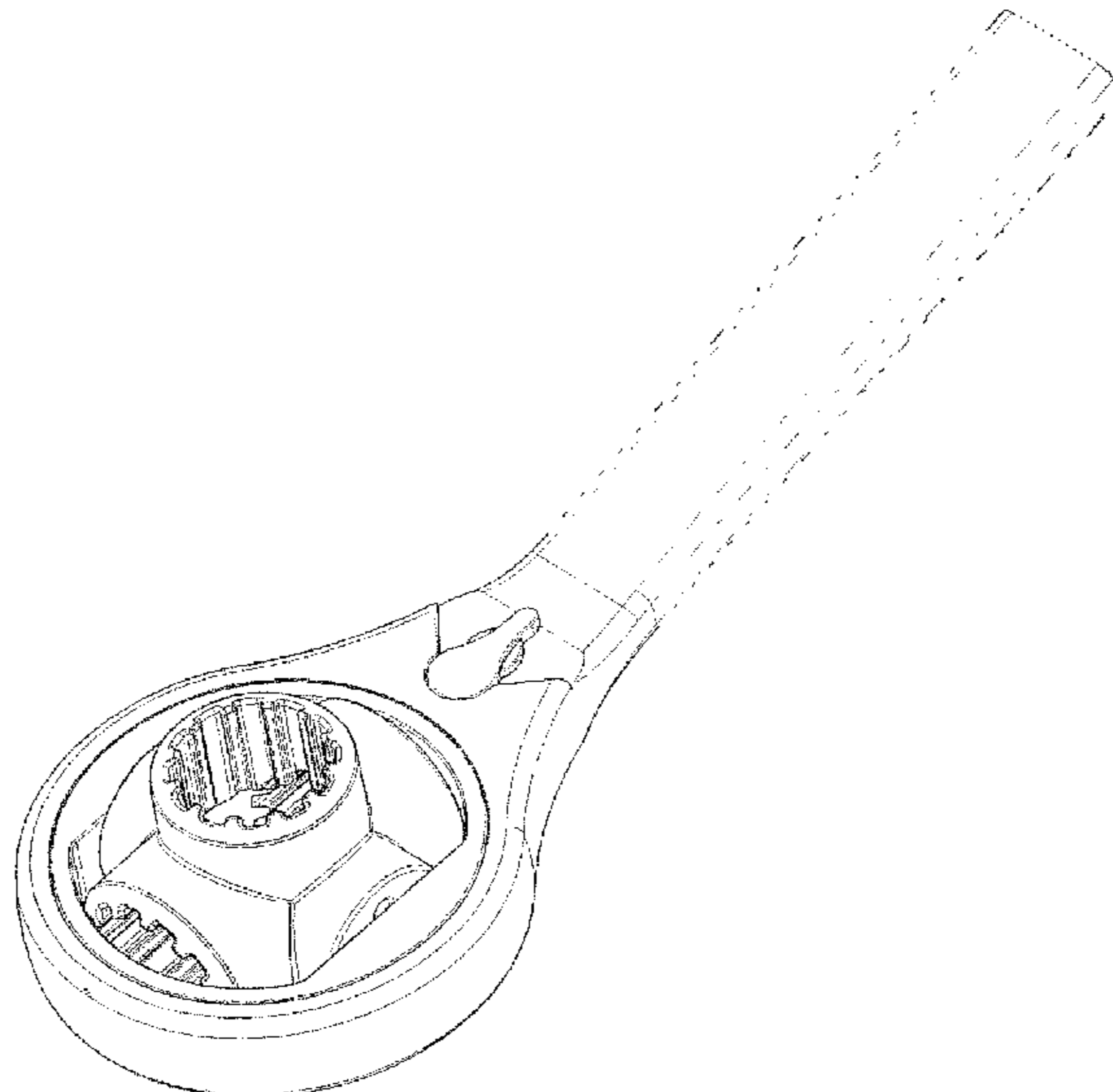
(57) **CLAIM**

The ornamental design for a rotary ratchet wrench, as shown.

**DESCRIPTION**

FIG. 1 is a perspective view thereof; FIG. 2 is a top view thereof; FIG. 3 is a side view thereof; and, FIG. 4 is a front view thereof. Petitioner disclaims the shape and configuration of the features of those portions shown in broken lines.

**1 Claim, 2 Drawing Sheets**



# US D640,518 S

Page 2

## U.S. PATENT DOCUMENTS

5,119,701 A 6/1992 Wei  
D332,730 S 1/1993 Usuda  
5,199,335 A 4/1993 Arnold et al.  
5,568,751 A 10/1996 Lee  
5,636,557 A 6/1997 Ma  
5,848,561 A 12/1998 Hsieh  
6,000,302 A 12/1999 Chiang  
6,050,165 A 4/2000 Hall  
6,134,990 A 10/2000 Ling et al.  
6,282,992 B1 9/2001 Hu  
6,295,898 B1 10/2001 Hsieh  
6,405,621 B1 6/2002 Krivec et al.  
6,453,779 B2 9/2002 Hu  
6,626,067 B1 9/2003 Iwinski et al.  
6,629,477 B2 10/2003 Ling et al.  
6,722,234 B2 4/2004 Hu  
D492,556 S 7/2004 Barry et al.  
6,769,330 B2 8/2004 Chang  
6,862,956 B1 3/2005 Chen  
6,868,759 B2 3/2005 Tuan-Mu  
D506,373 S 6/2005 Hsien  
6,918,323 B2 7/2005 Arnold et al.  
6,971,286 B2 12/2005 Hu  
7,032,478 B2 4/2006 Hu  
7,082,860 B2 8/2006 Shu-Sui et al.  
7,185,566 B2 3/2007 Arnold et al.

7,231,851 B2 6/2007 Tuan-Mu  
7,237,460 B2 7/2007 Hu  
D551,525 S 9/2007 Desbrunes  
7,267,033 B1 9/2007 Lai  
7,299,720 B1 11/2007 Schultz et al.  
7,311,022 B2 12/2007 Putney et al.  
7,318,366 B2 1/2008 Lee et al.  
7,444,902 B1 11/2008 Lin et al.  
7,444,904 B2 11/2008 Huang  
7,478,577 B1 1/2009 Wheeler  
7,523,688 B2 4/2009 Putney et al.  
D601,871 S 10/2009 Murray  
2005/0178247 A1 8/2005 Arnold et al.  
2007/0044600 A1 3/2007 Chen  
2007/0107560 A1 5/2007 Chiang

## FOREIGN PATENT DOCUMENTS

DE 2231385 1/1974  
DE 202004000843 4/2004  
EP 0079440 5/1983  
FR 630775 12/1927

## OTHER PUBLICATIONS

Sears, Craftsman Dog Bone SAE Wrench, Webpage—Product Description.  
Snap-On, Wrench, Ratcheting Box, 25° Offset, Product Webpage.

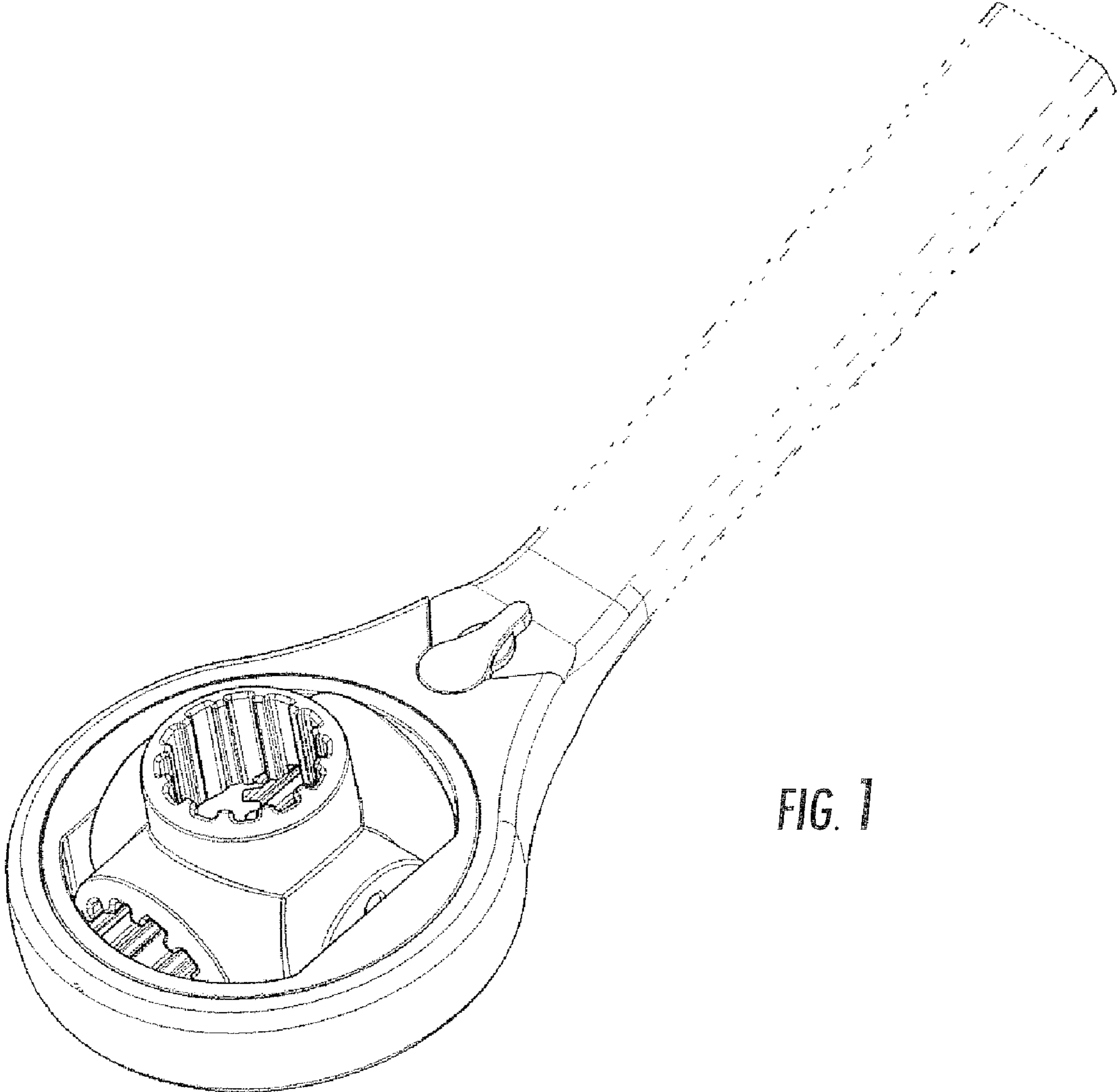


FIG. 1

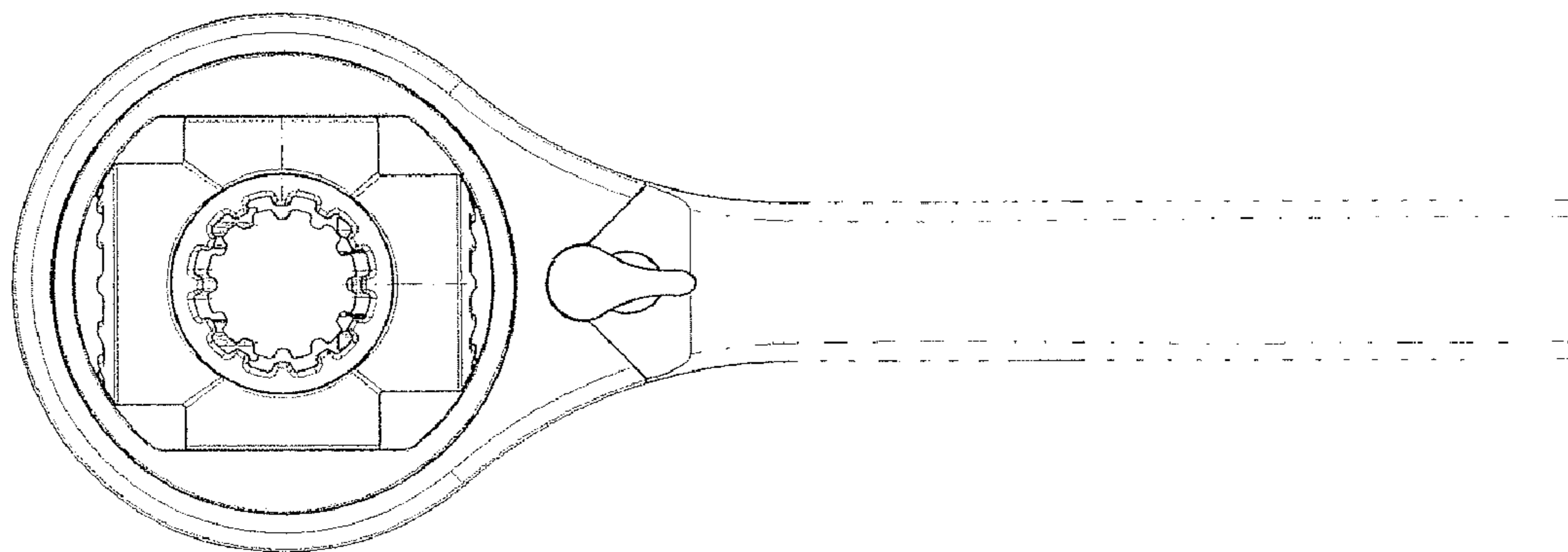


FIG. 2

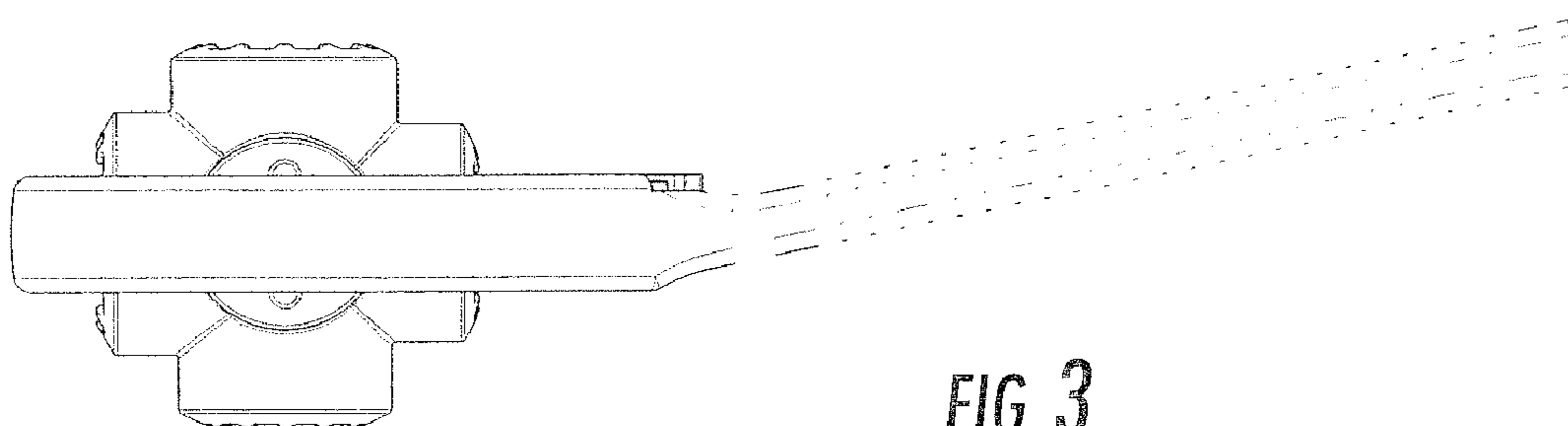


FIG. 3

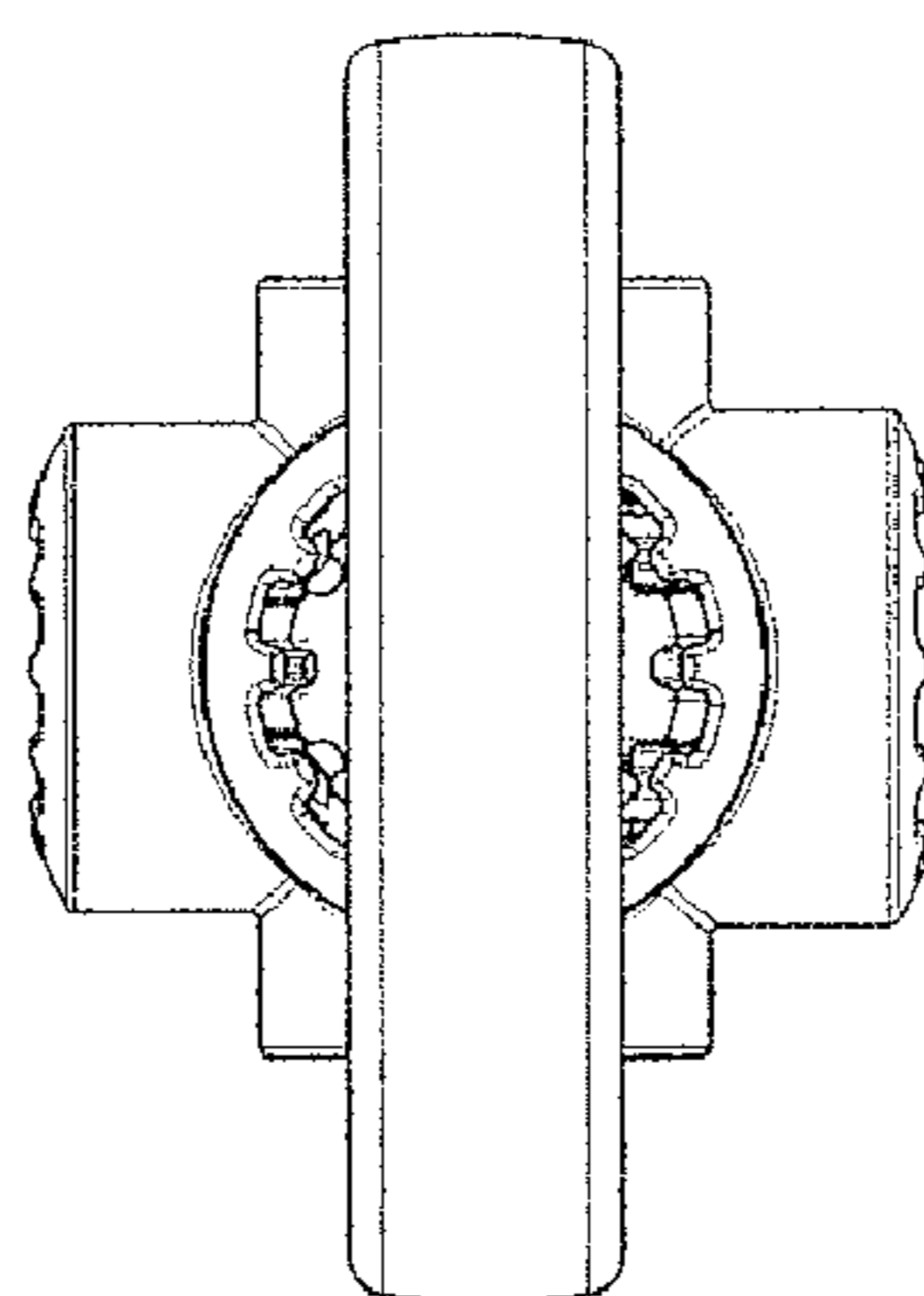


FIG. 4