



US00D640517S

(12) **United States Design Patent**
Rumrill et al.

(10) **Patent No.:** **US D640,517 S**
(45) **Date of Patent:** **** Jun. 28, 2011**

(54) **CAULKING GUN**

(74) *Attorney, Agent, or Firm* — Senniger Powers LLP

(75) Inventors: **Danny Rumrill**, Santa Rosa, CA (US);
Larry Childs, Cotati, CA (US)

(57) **CLAIM**
The ornamental design for a caulking gun, as shown and described.

(73) Assignee: **Dripless, Inc.**, Santa Rosa, CA (US)

(**) Term: **14 Years**

DESCRIPTION

(21) Appl. No.: **29/369,484**

(22) Filed: **Sep. 9, 2010**

(51) **LOC (9) Cl.** **08-05**

(52) **U.S. Cl.** **D8/14.1**

(58) **Field of Classification Search** D8/14.1;
222/92, 105, 145.1, 160, 325-327, 386, 391,
222/567; 74/141.5

See application file for complete search history.

FIG. 1 is a perspective view of a first embodiment of the caulking gun of our new design.

FIG. 2 is a front elevational view of the caulking gun of FIG. 1.

FIG. 3 is a rear elevational view of the caulking gun of FIG. 1.

FIG. 4 is a top plan view of the caulking gun of FIG. 1.

FIG. 5 is a right side elevational view of the caulking gun of FIG. 1.

FIG. 6 is a left side elevational view of the caulking gun of FIG. 1.

FIG. 7 is a bottom plan view of the caulking gun of FIG. 1.

FIG. 8 is a perspective view of a second embodiment of the caulking gun of our new design.

FIG. 9 is a front elevational view of the caulking gun of FIG. 8.

FIG. 10 is a rear elevational view of the caulking gun of FIG. 8.

FIG. 11 is a top plan view of the caulking gun of FIG. 8.

FIG. 12 is a right side elevational view of the caulking gun of FIG. 8.

FIG. 13 is a left side elevational view of the caulking gun of FIG. 8; and,

FIG. 14 is a bottom plan view of the caulking gun of FIG. 8.

(56) **References Cited**

U.S. PATENT DOCUMENTS

D246,221	S	*	11/1977	Cox	D8/14.1
D354,208	S	*	1/1995	Vega	D8/14.1
5,385,274	A	*	1/1995	Twyman	222/327
5,887,765	A	*	3/1999	Broesamle		
6,119,903	A	*	9/2000	Vanmoor	222/327
6,325,261	B1		12/2001	Webber		
D511,445	S		11/2005	Childs et al.		
7,073,691	B2		7/2006	Rumrill et al.		
7,757,904	B2		7/2010	Rumrill et al.		

* cited by examiner

Primary Examiner — Antoine D Davis

1 Claim, 14 Drawing Sheets

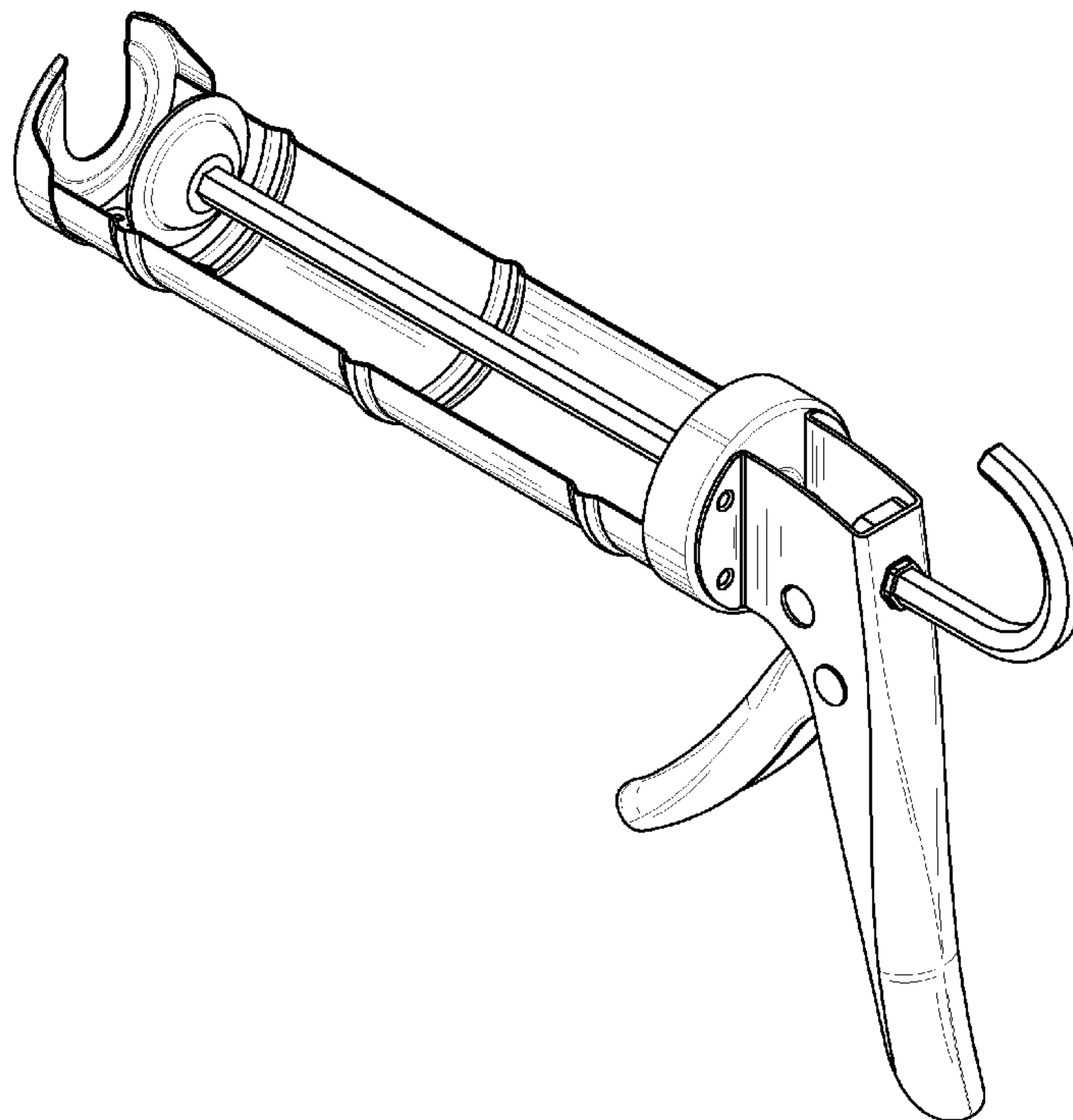
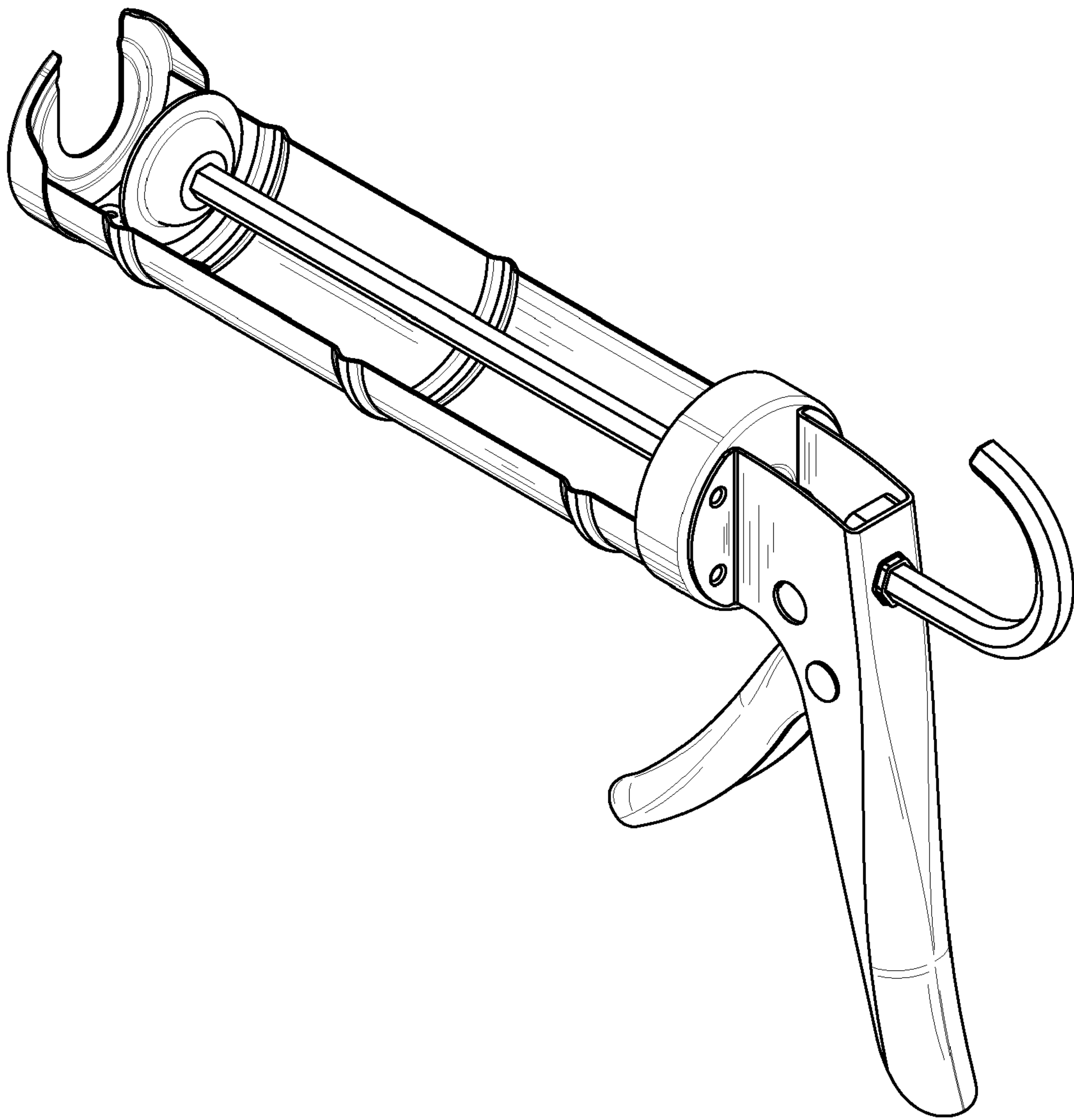


FIG. 1



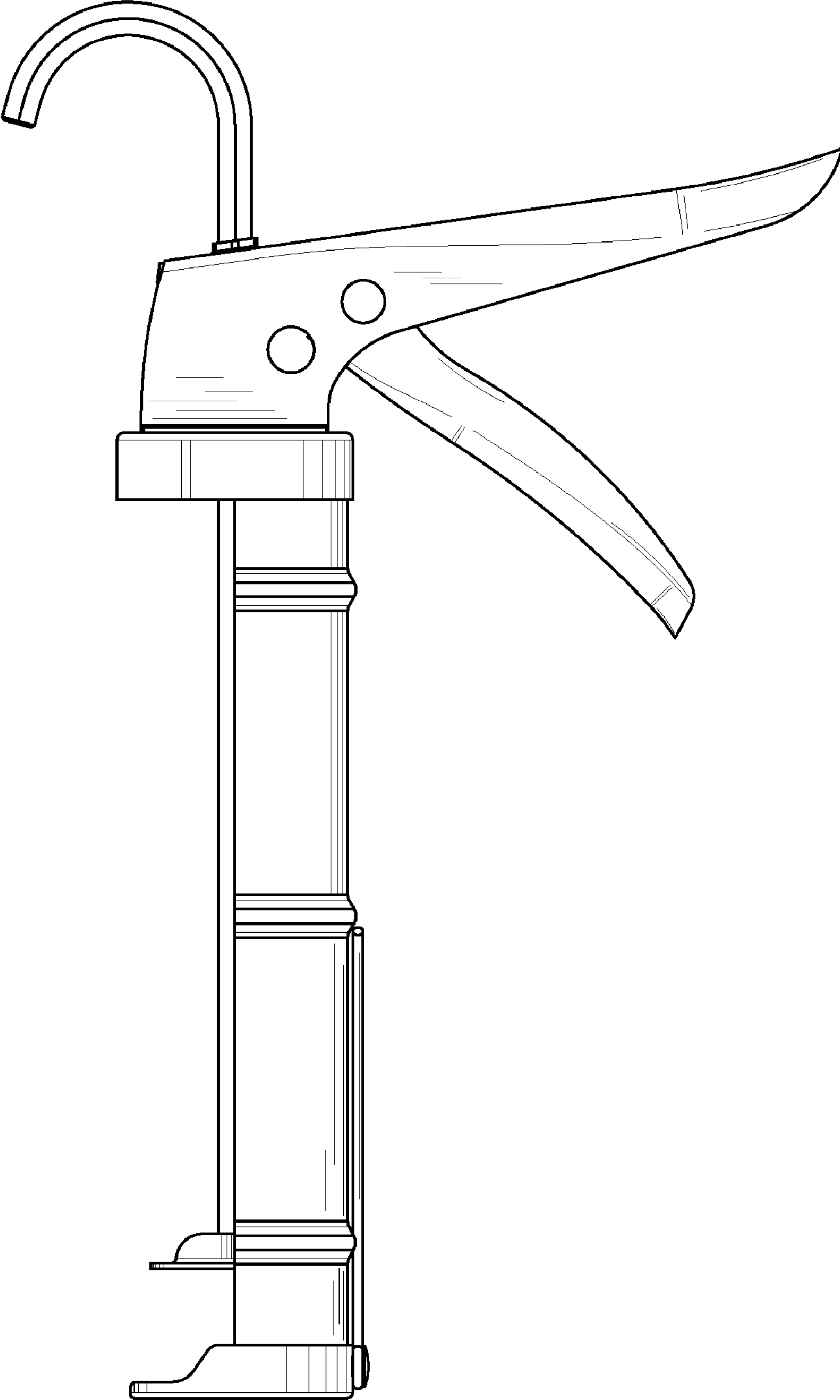


FIG. 2

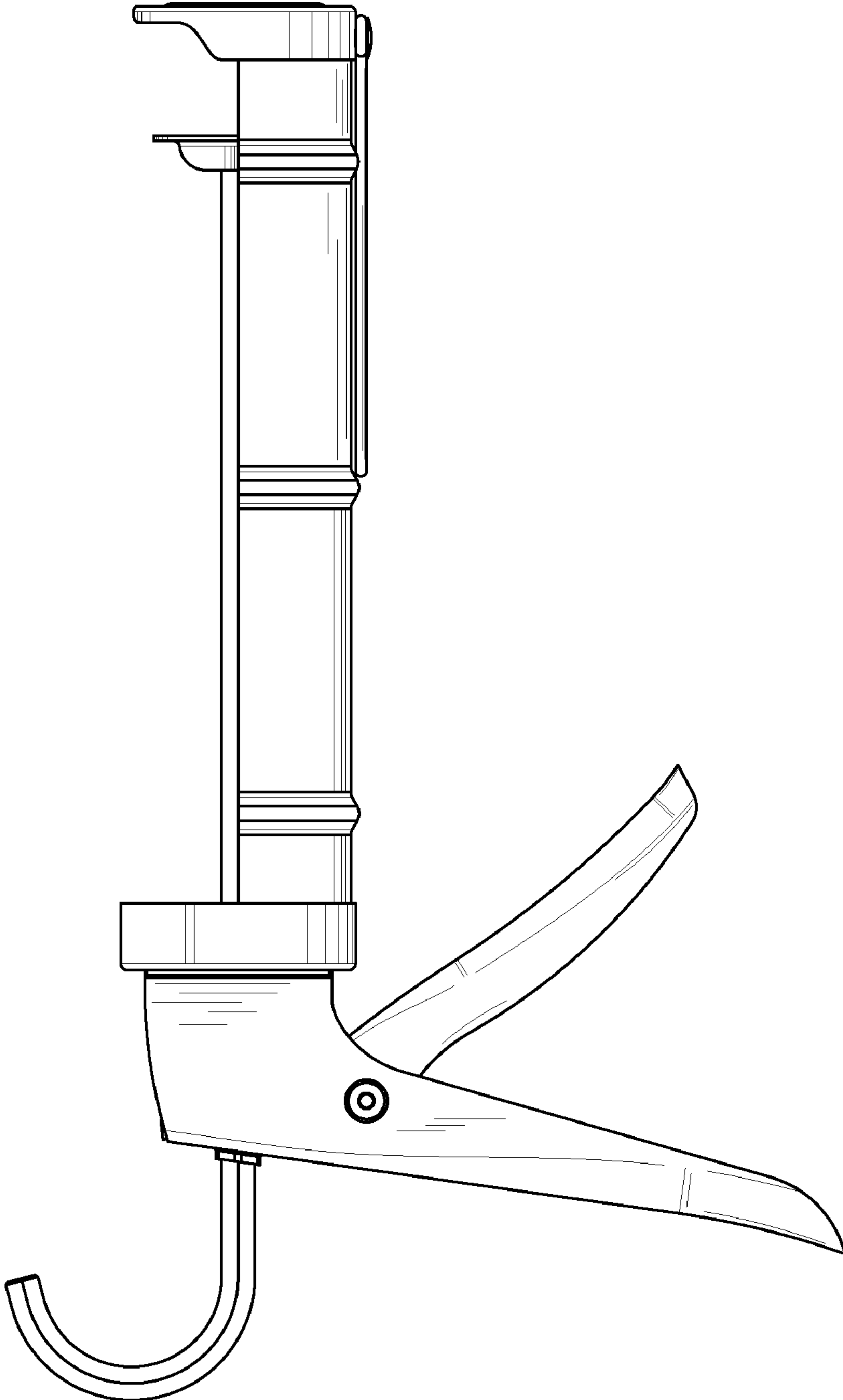


FIG. 3

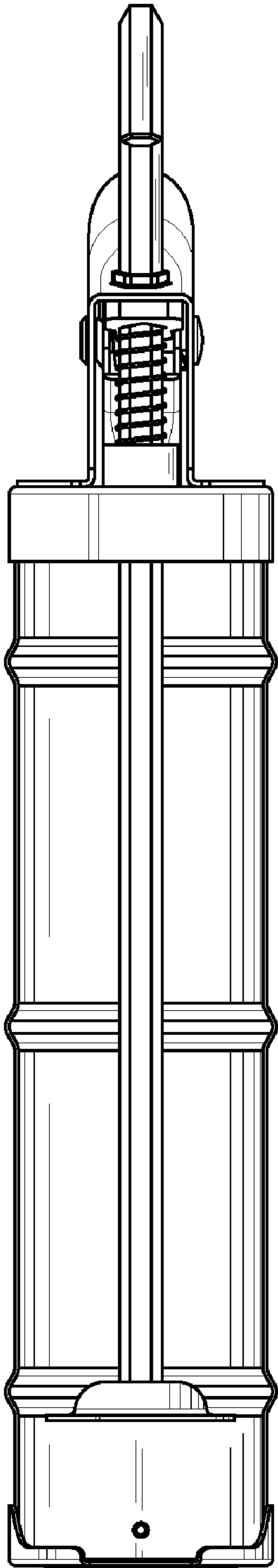


FIG. 4

FIG. 5

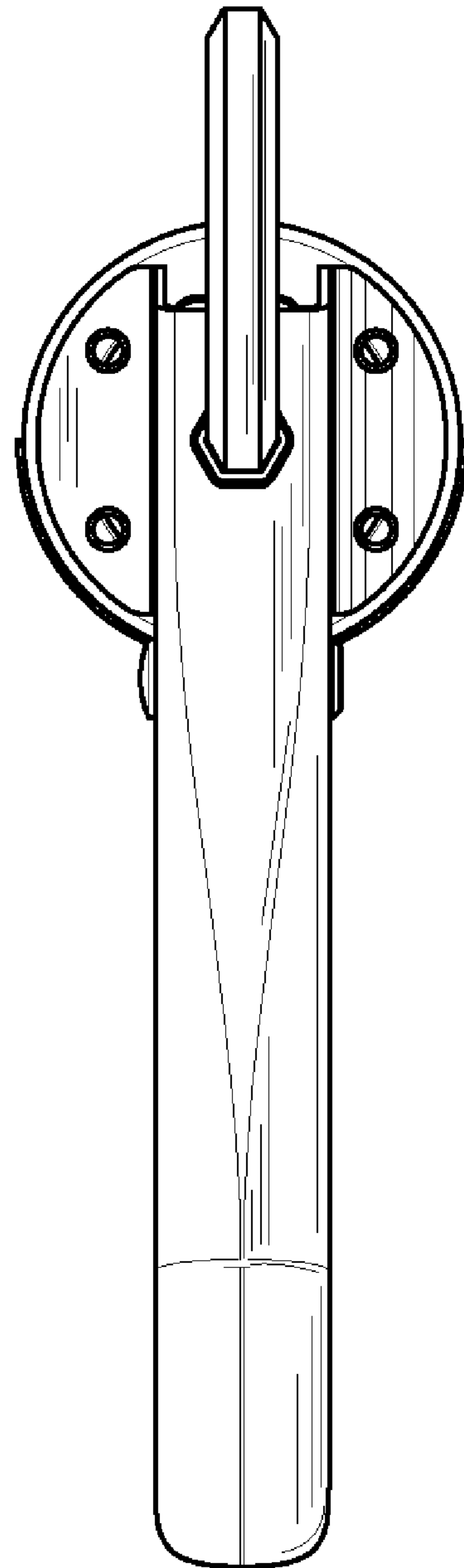
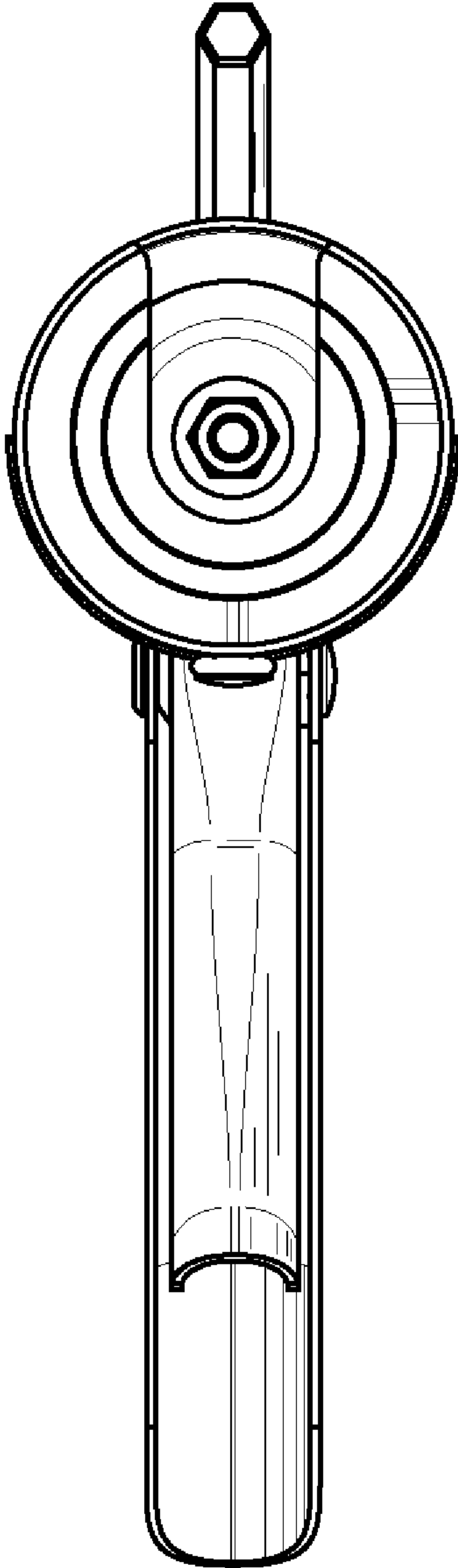


FIG. 6



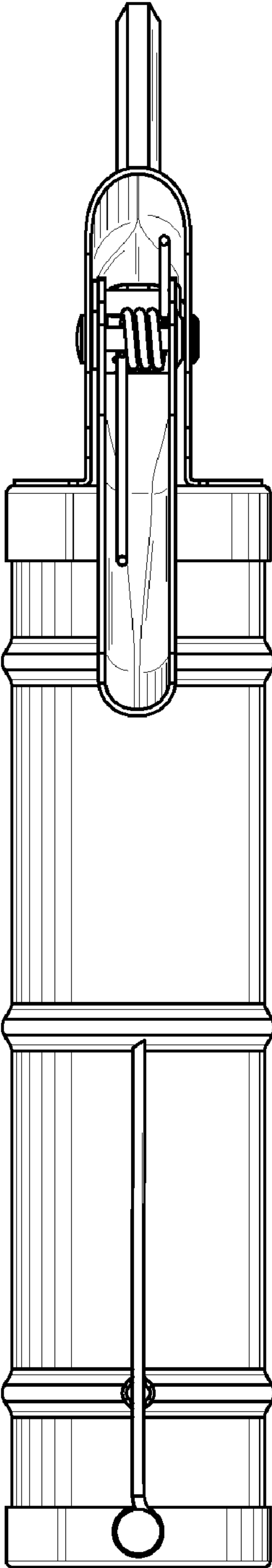
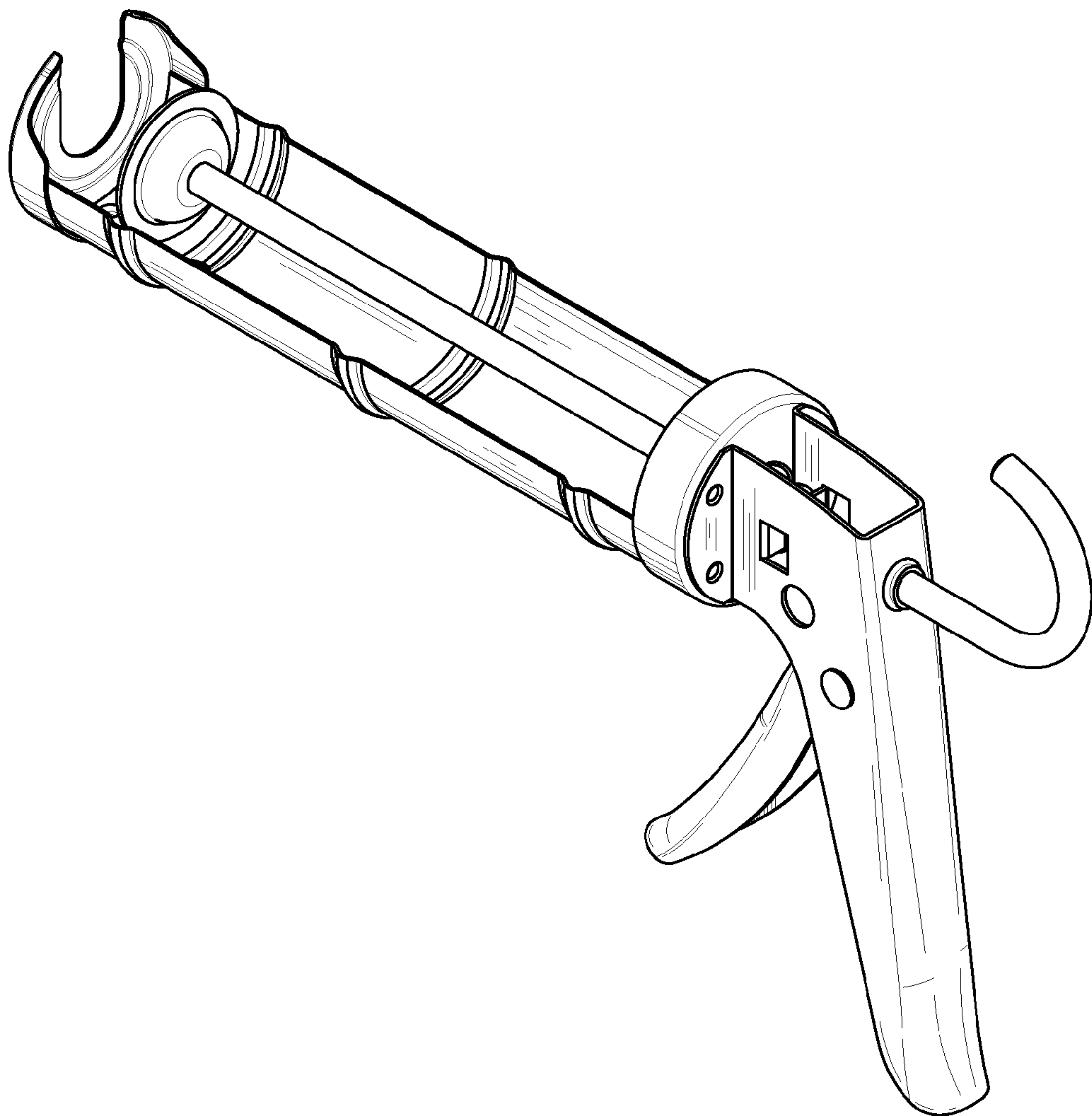


FIG. 7

FIG. 8



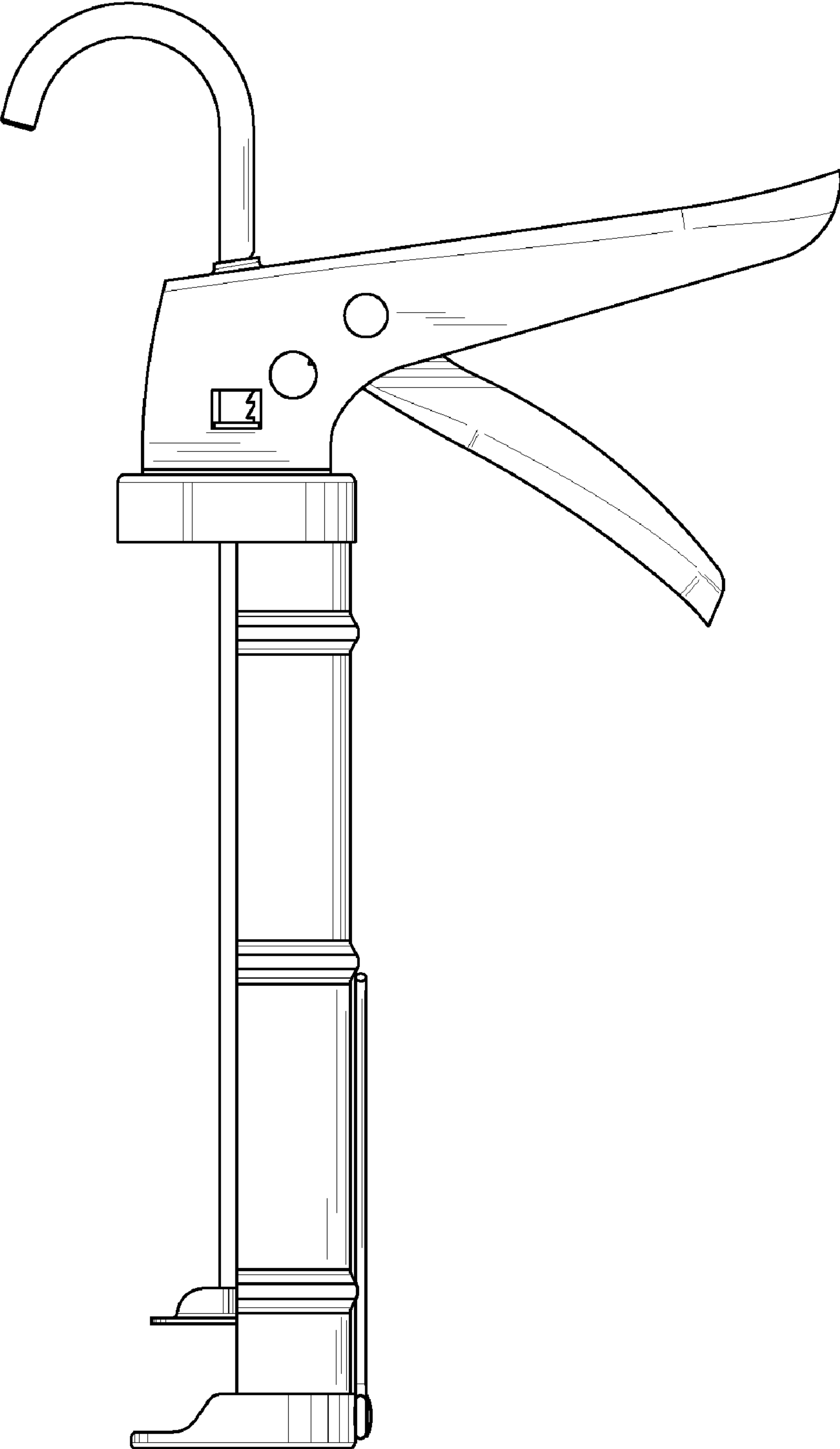


FIG. 9

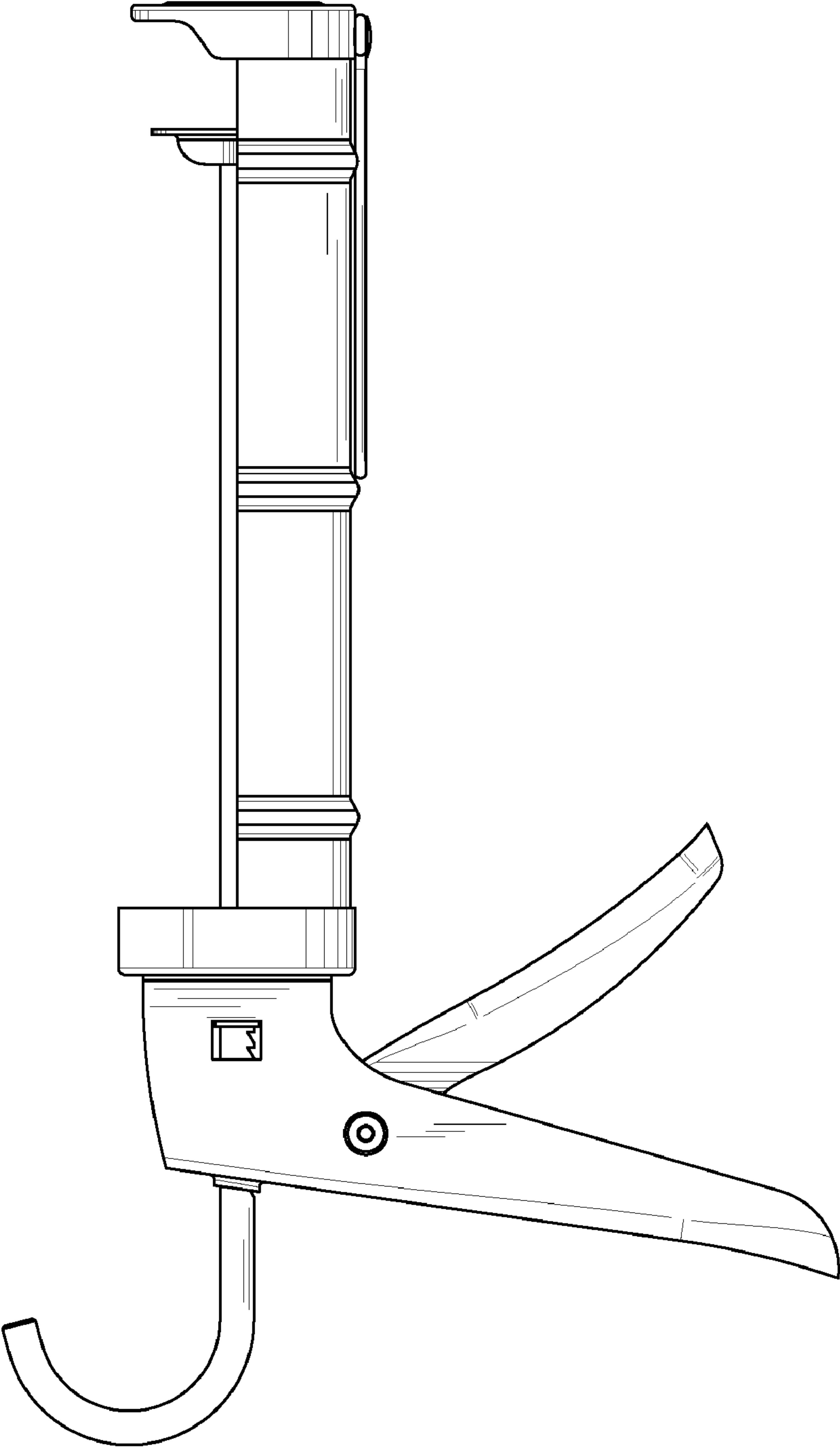


FIG. 10

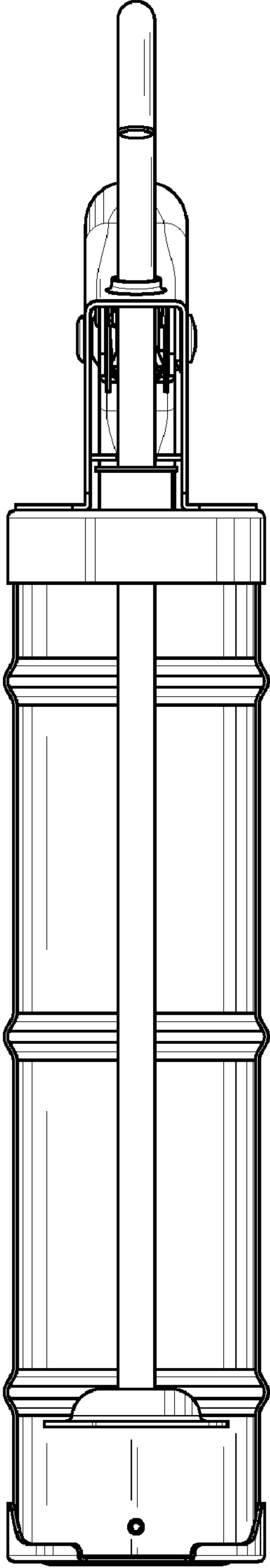


FIG. 11

FIG. 12

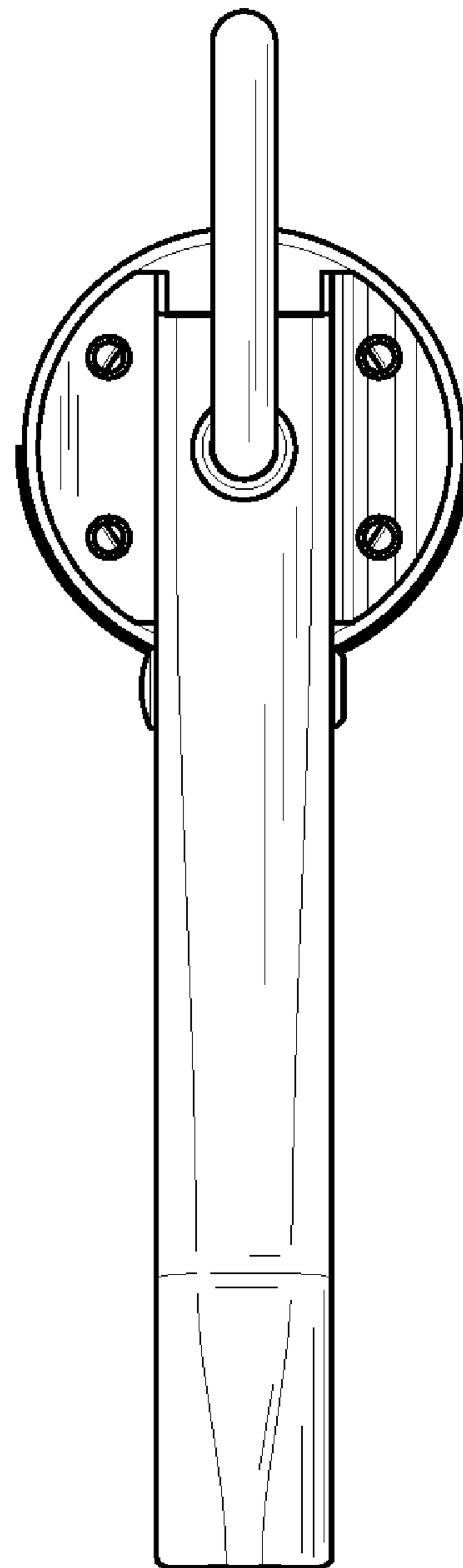
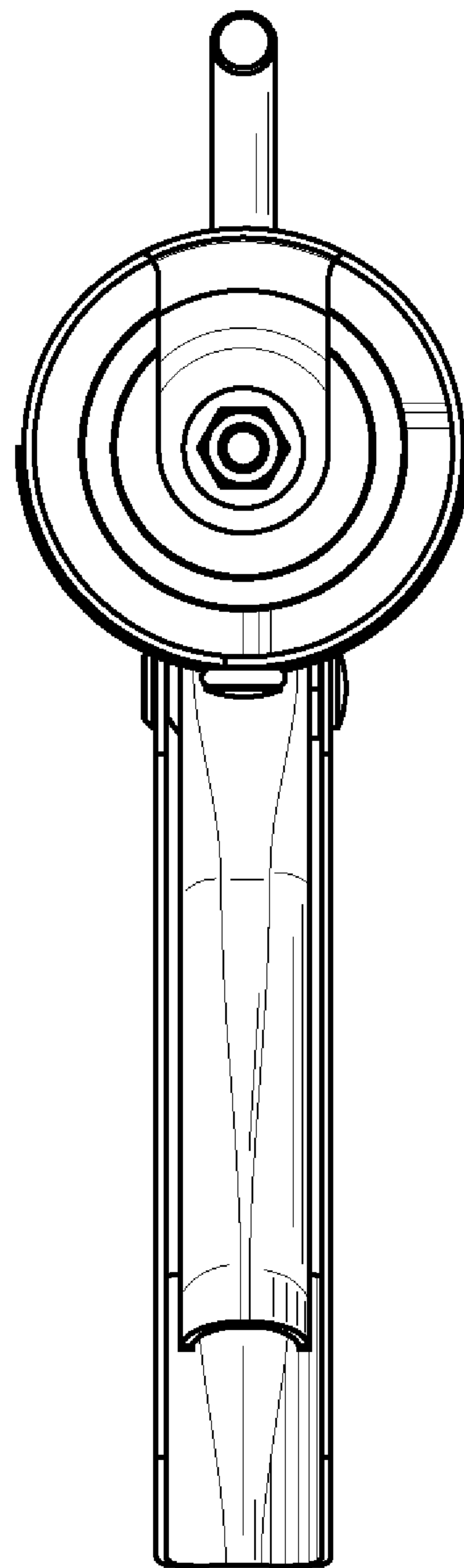


FIG. 13



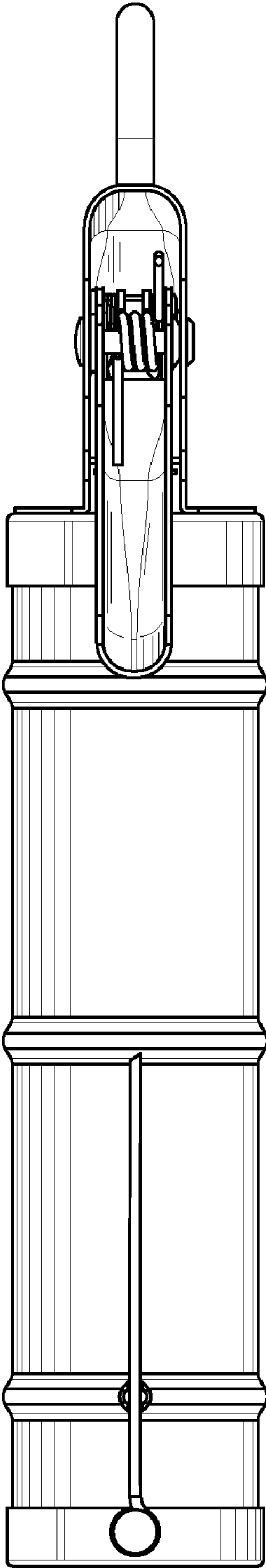


FIG. 14