



US00D640515S

(12) **United States Design Patent**
Tanis et al.

(10) **Patent No.:** **US D640,515 S**
(45) **Date of Patent:** **** Jun. 28, 2011**

(54) **ADJUSTABLE BLADE WEED REMOVER**

(76) Inventors: **Valerie Tanis**, Marysville, WA (US);
Leroy Tanis, Marysville, WA (US)

(**) Term: **14 Years**

(21) Appl. No.: **29/363,707**

(22) Filed: **Jun. 14, 2010**

(51) **LOC (9) Cl.** **08-01**

(52) **U.S. Cl.** **D8/7; D8/11**

(58) **Field of Classification Search** D8/7, 11;
294/49; 172/19-22, 371-372; D23/411

See application file for complete search history.

(56) **References Cited**

U.S. PATENT DOCUMENTS

800,872	A	10/1905	Newcomb	
1,259,944	A	3/1918	Welch, Jr.	
1,279,704	A	7/1918	Jones	
1,334,586	A *	3/1920	Baker	172/372
1,901,778	A	3/1933	Schlag	
2,771,019	A	11/1956	Zeitz	
D221,727	S *	9/1971	Erikson	D8/7
3,942,591	A	3/1976	Brannin	
5,097,910	A	3/1992	Traczek	

D343,555	S	1/1994	Bonner, III	
6,311,783	B1	11/2001	Harpell	
D498,995	S *	11/2004	Whitlock	D8/7
D608,610	S *	1/2010	Boies	D8/7
2010/0326681	A1 *	12/2010	Cole	172/372

* cited by examiner

Primary Examiner — Cynthia M Chin

Assistant Examiner — Sheryl Lane

(57) **CLAIM**

We claim the ornamental design for the adjustable blade weed remover, as shown and described.

DESCRIPTION

FIG. 1 is a left side view of the adjustable blade weed remover with a handle depicted in dashed lines, which is environmental matter that forms no part of the claimed design.

FIG. 2 is a right side view of the claimed design.

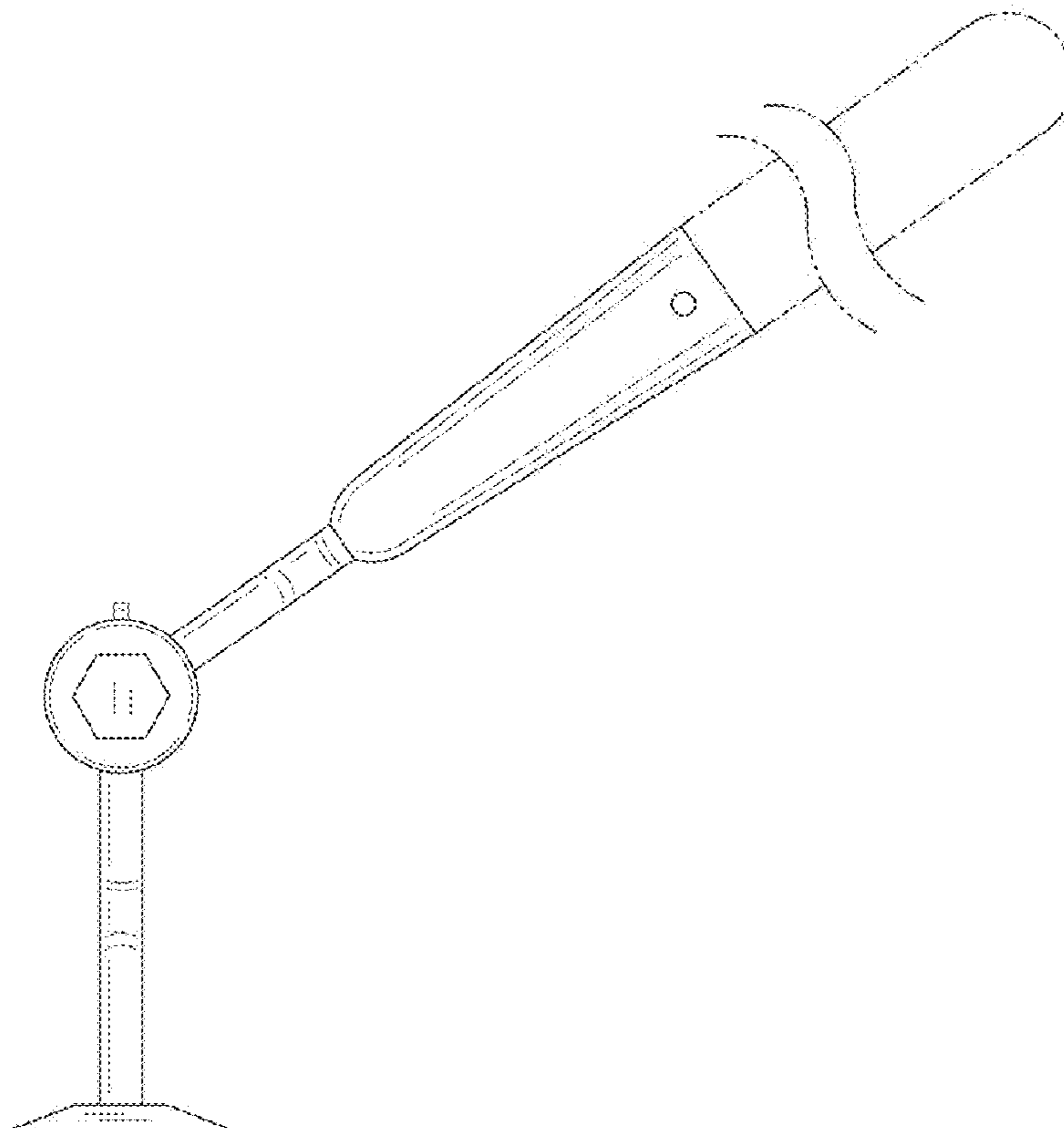
FIG. 3 is a front view of the claimed design.

FIG. 4 is a rear view of the claimed design.

FIG. 5 is a top view of the claimed design; and,

FIG. 6 is a bottom view of the claimed design.

1 Claim, 6 Drawing Sheets



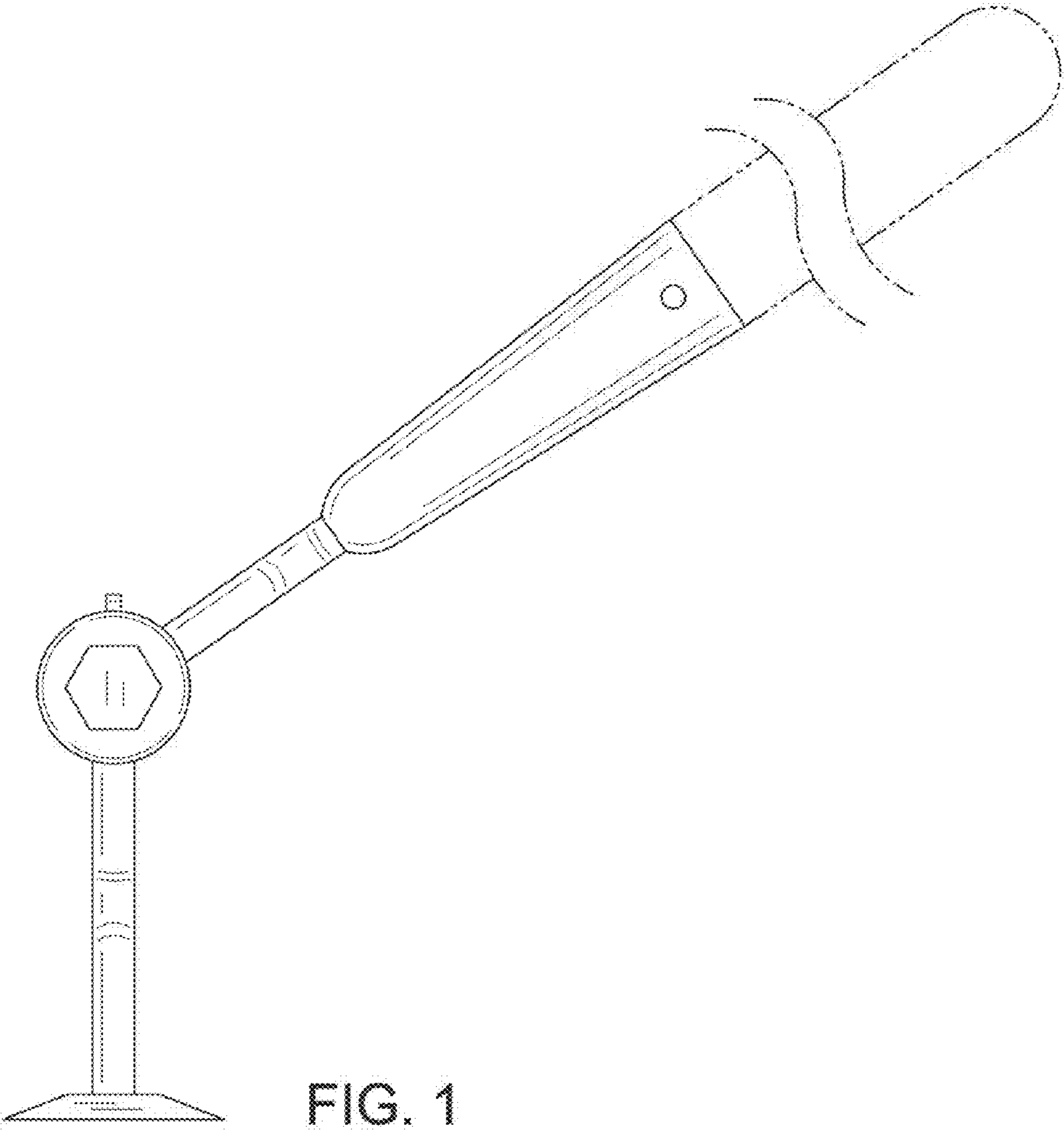


FIG. 1

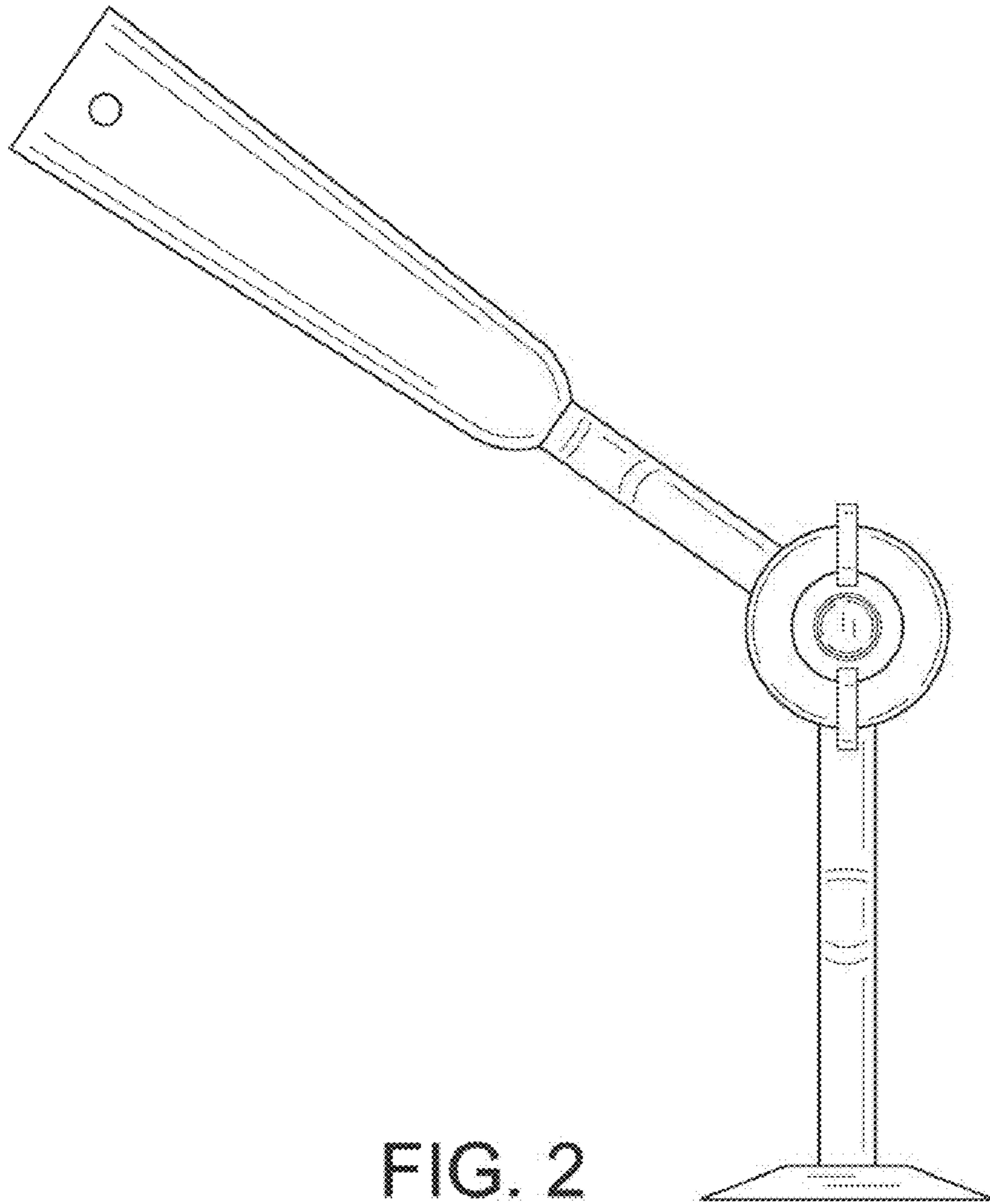


FIG. 2

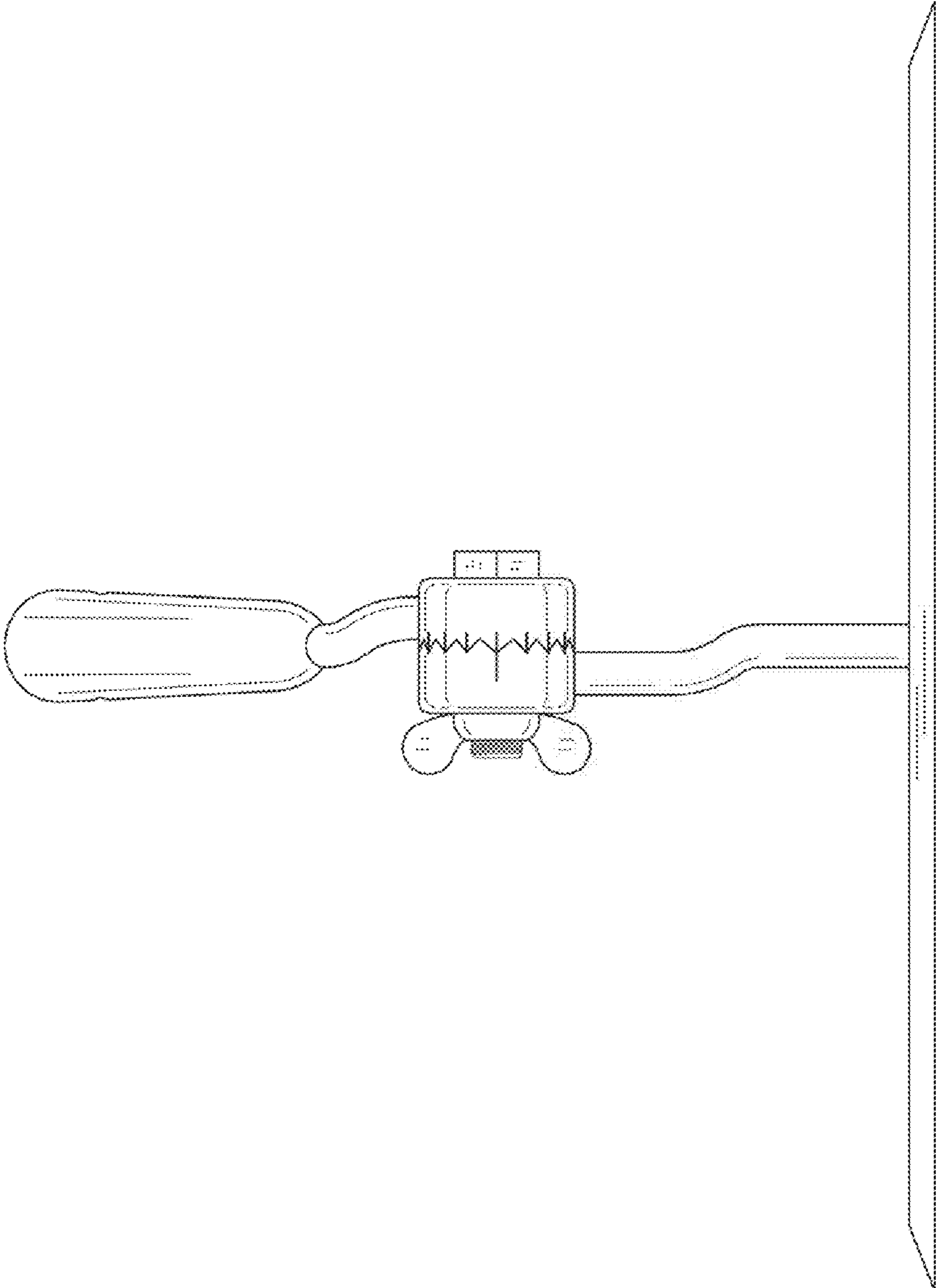


FIG. 3

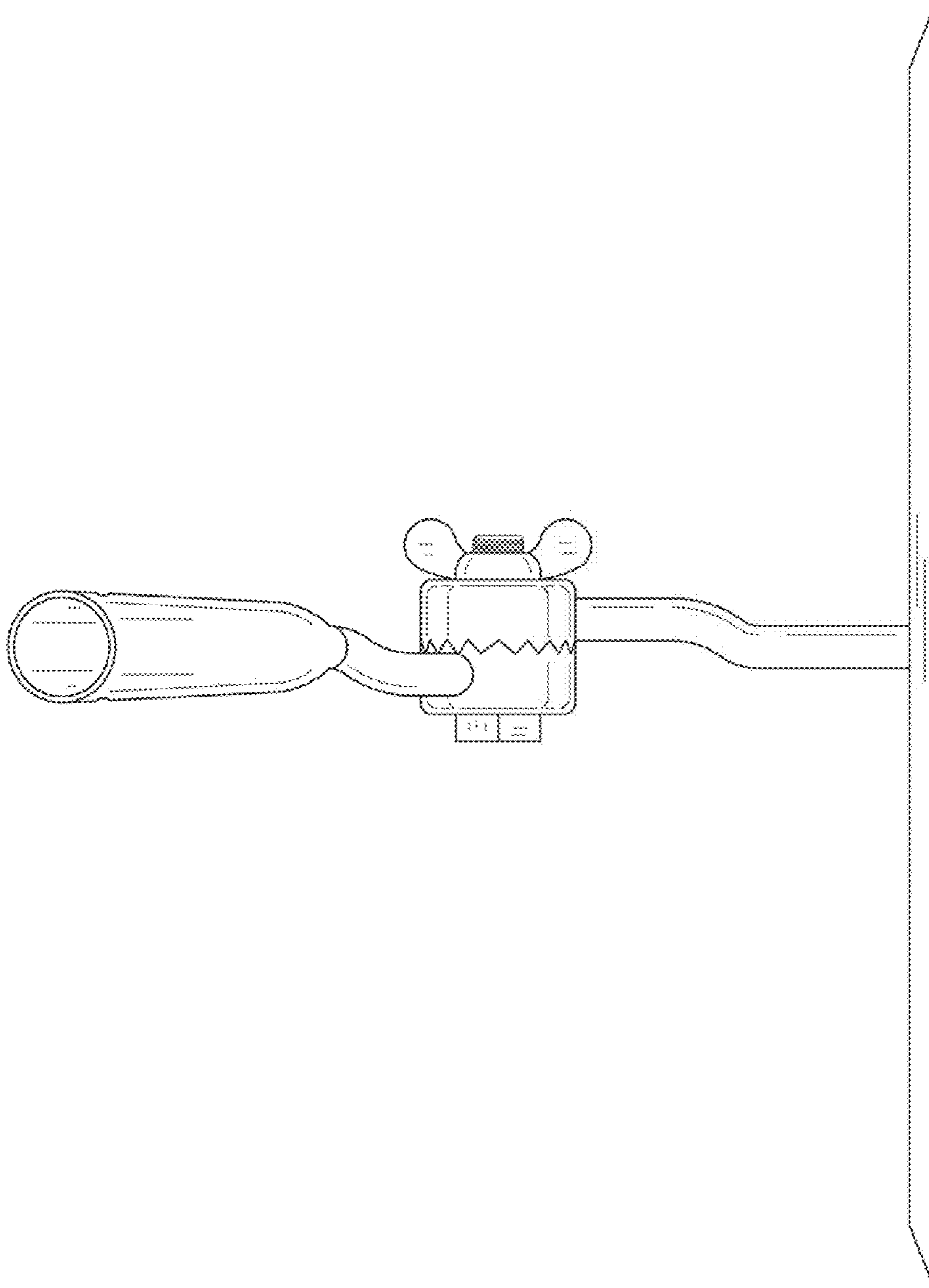


FIG. 4

