

US00D640510S

(12) **United States Design Patent**
Guindi

(10) **Patent No.:** **US D640,510 S**

(45) **Date of Patent:** **** Jun. 28, 2011**

(54) **FLAT NAPKIN HOLDER**

(75) Inventor: **Henry V. Guindi**, Brooklyn, NY (US)

(73) Assignee: **HDS Trading Corp.**, North Brunswick, NJ (US)

(**) Term: **14 Years**

(21) Appl. No.: **29/359,584**

(22) Filed: **Apr. 13, 2010**

(51) **LOC (9) Cl.** **07-06**

(52) **U.S. Cl.** **D7/631**

(58) **Field of Classification Search** D7/571-572,
D7/576-577, 582-583, 601-602, 628, 631,
D7/634, 637, 704; D6/458, 462, 566; 220/485,
220/491; 211/41.1-41.4, 11, 126.9, 133.5
See application file for complete search history.

(56) **References Cited**

U.S. PATENT DOCUMENTS

D219,205 S * 11/1970 Propst D3/306
D315,925 S * 4/1991 Rich D19/92
D433,286 S * 11/2000 Goodman et al. D7/631

D588,839 S * 3/2009 Klein et al. D6/462

* cited by examiner

Primary Examiner — Ian Simmons

Assistant Examiner — Dana L Sipos

(74) *Attorney, Agent, or Firm* — Rankin, Hill & Clark LLP

(57) **CLAIM**

The ornamental design for a flat napkin holder, as shown and described.

DESCRIPTION

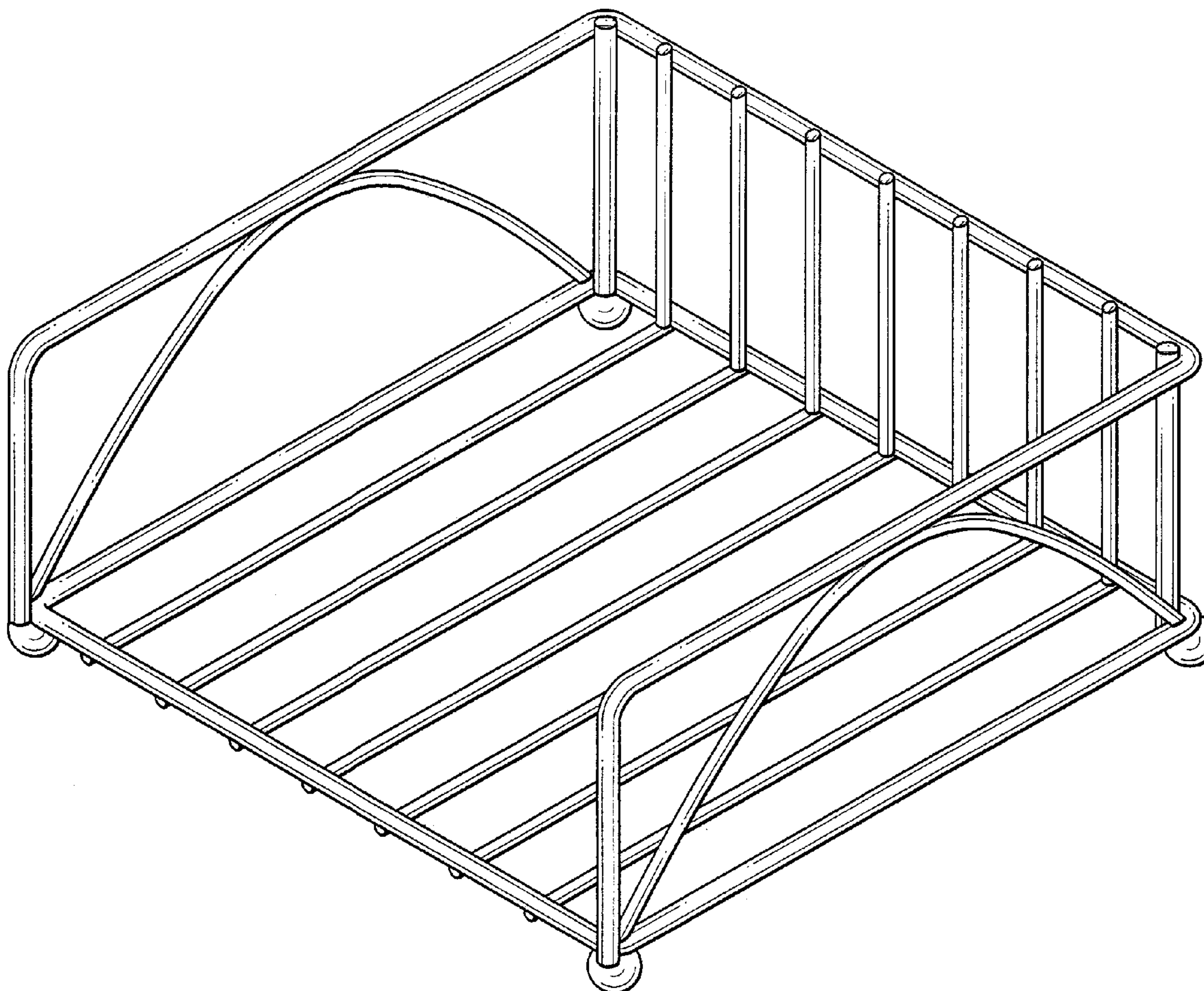
FIG. 1 is a front right perspective view of a flat napkin holder. FIG. 2 is a front elevational view of the flat napkin holder of FIG. 1.

FIG. 3 is a right side view of the flat napkin holder of FIG. 1. FIG. 4 is a rear elevational view of the flat napkin holder of FIG. 1.

FIG. 5 is a left side view of the flat napkin holder of FIG. 1. FIG. 6 is a top plan view of the flat napkin holder of FIG. 1; and,

FIG. 7 is a bottom plan view of the flat napkin holder of FIG. 1.

1 Claim, 7 Drawing Sheets



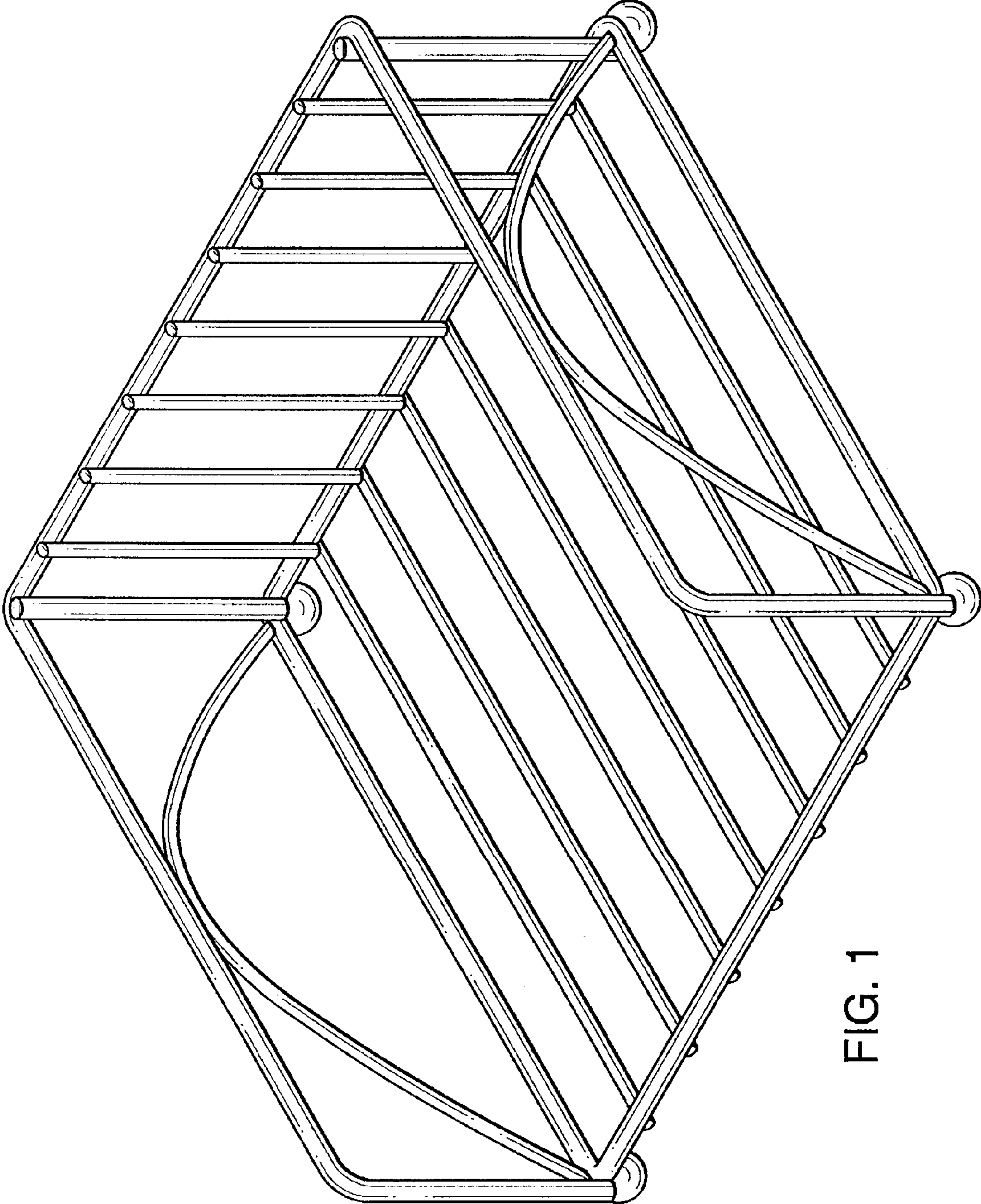


FIG. 1

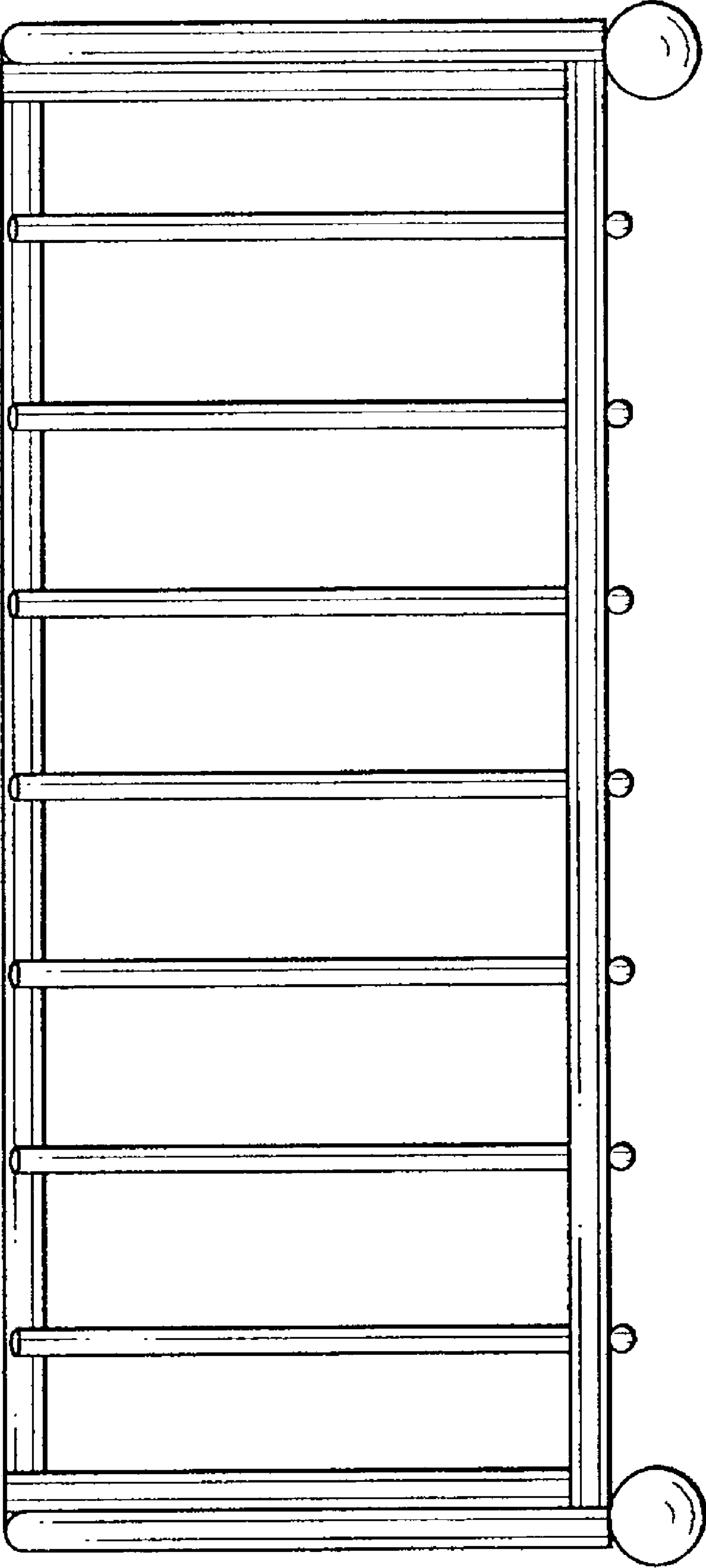


FIG. 2

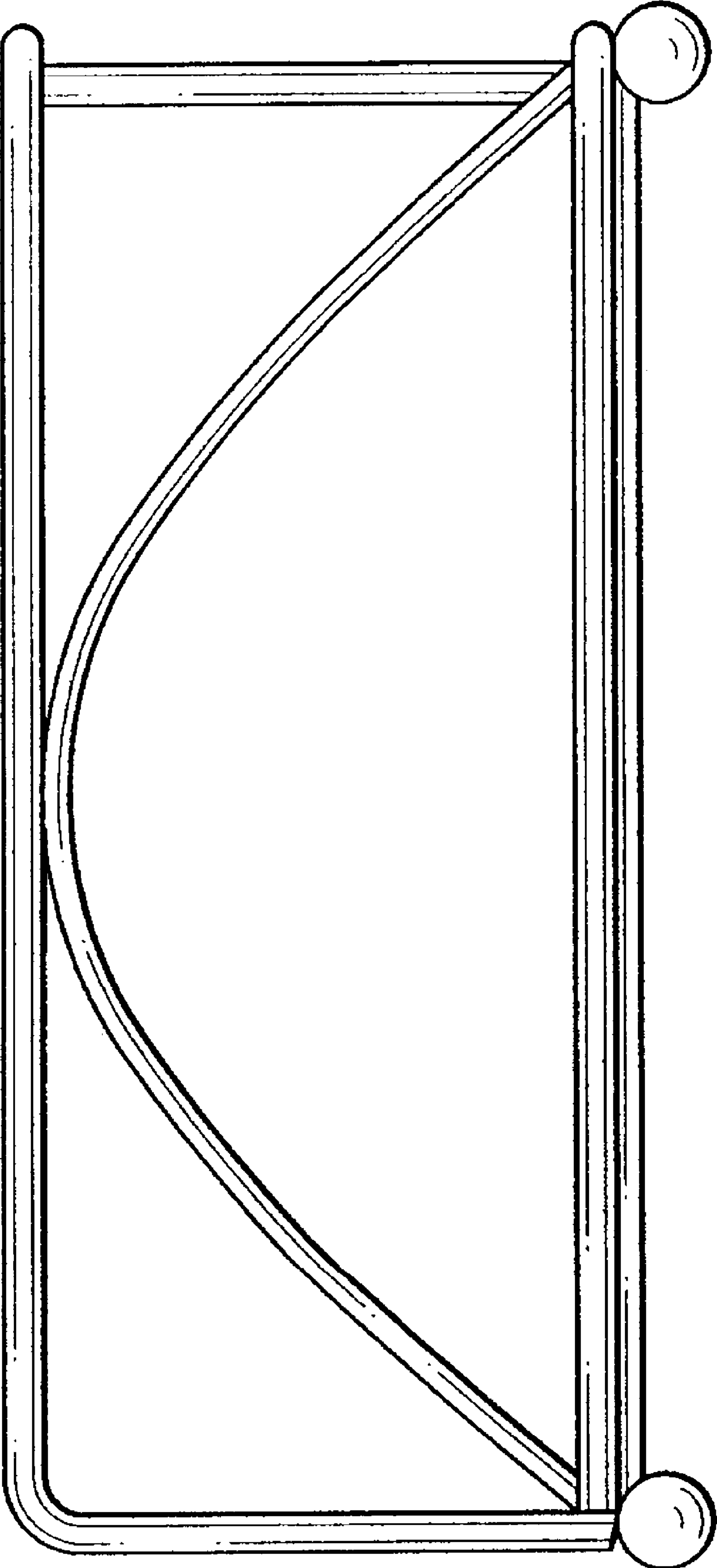


FIG. 3

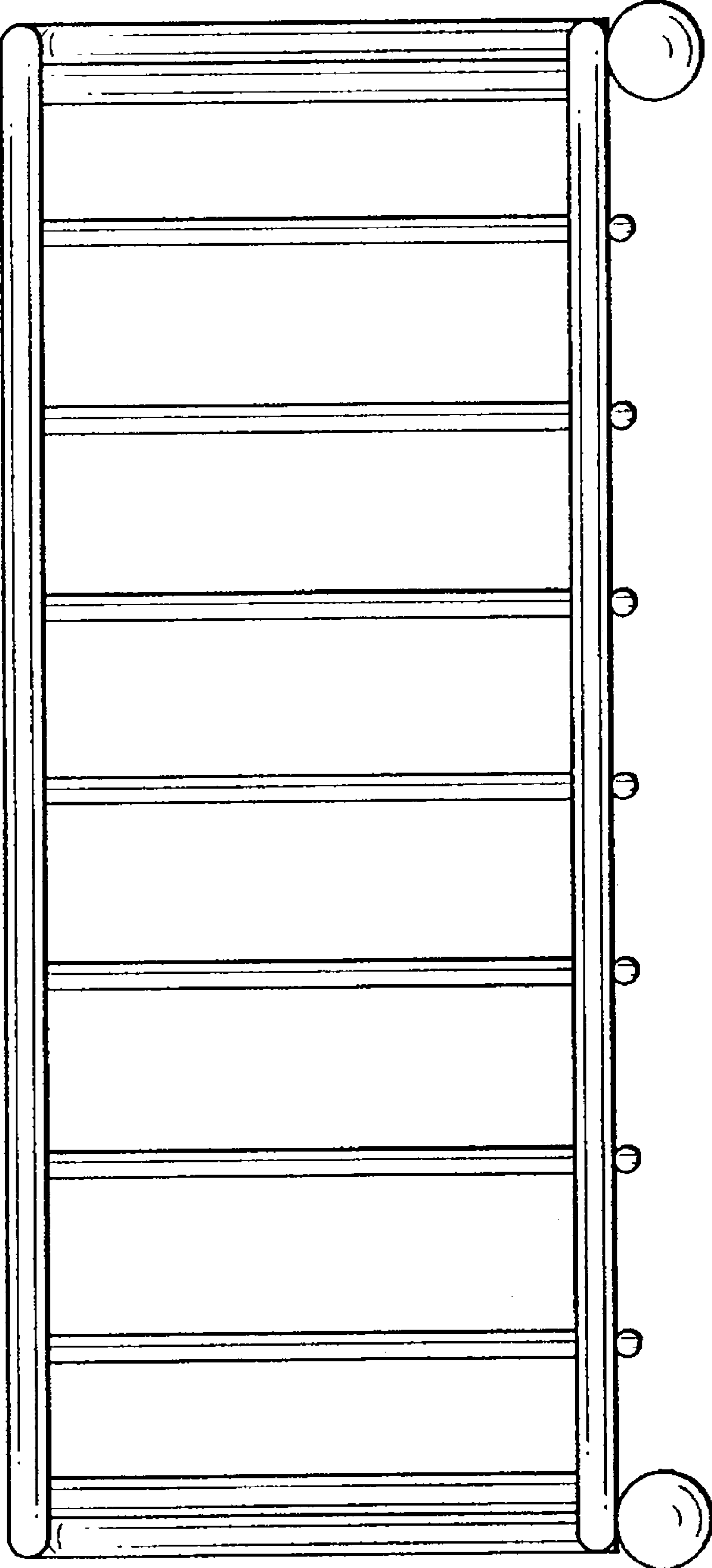


FIG. 4

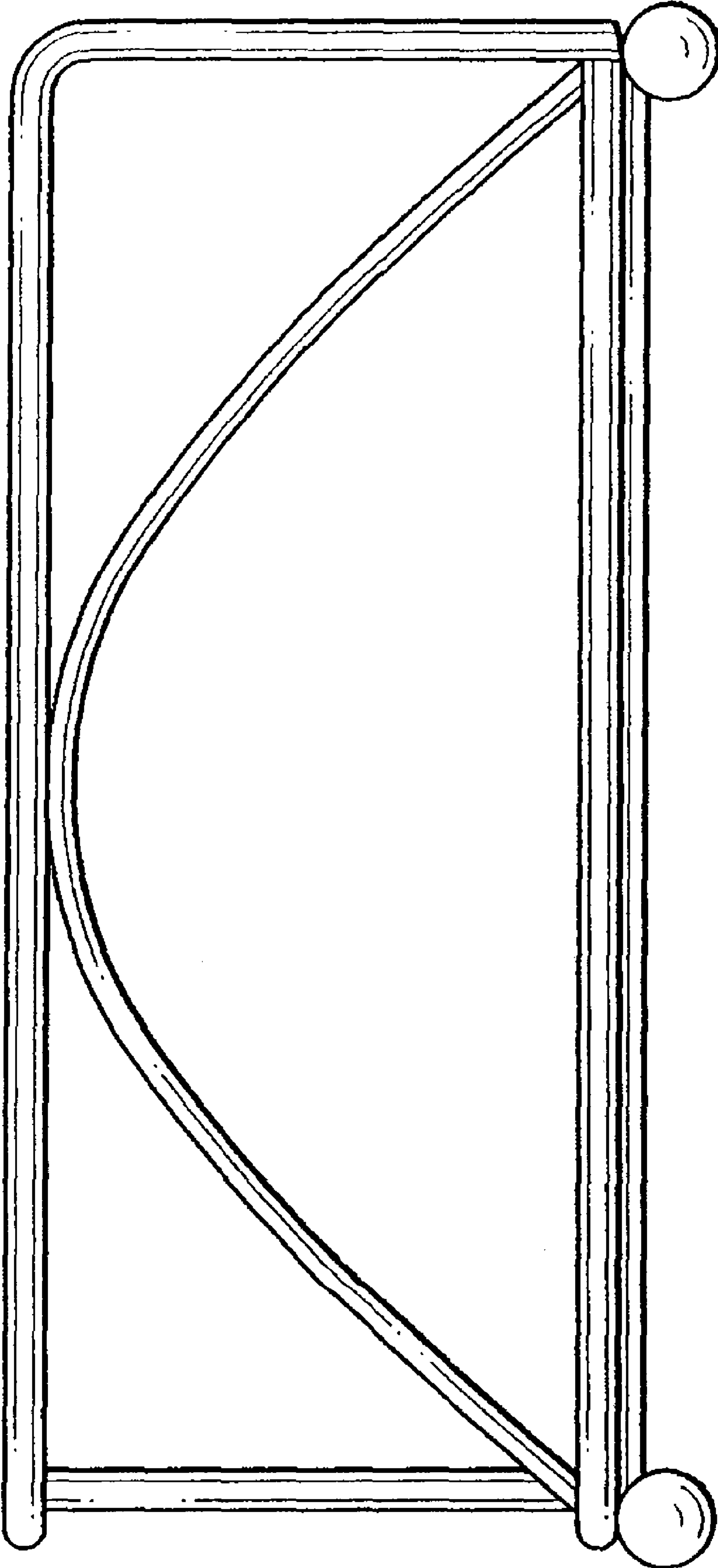


FIG. 5

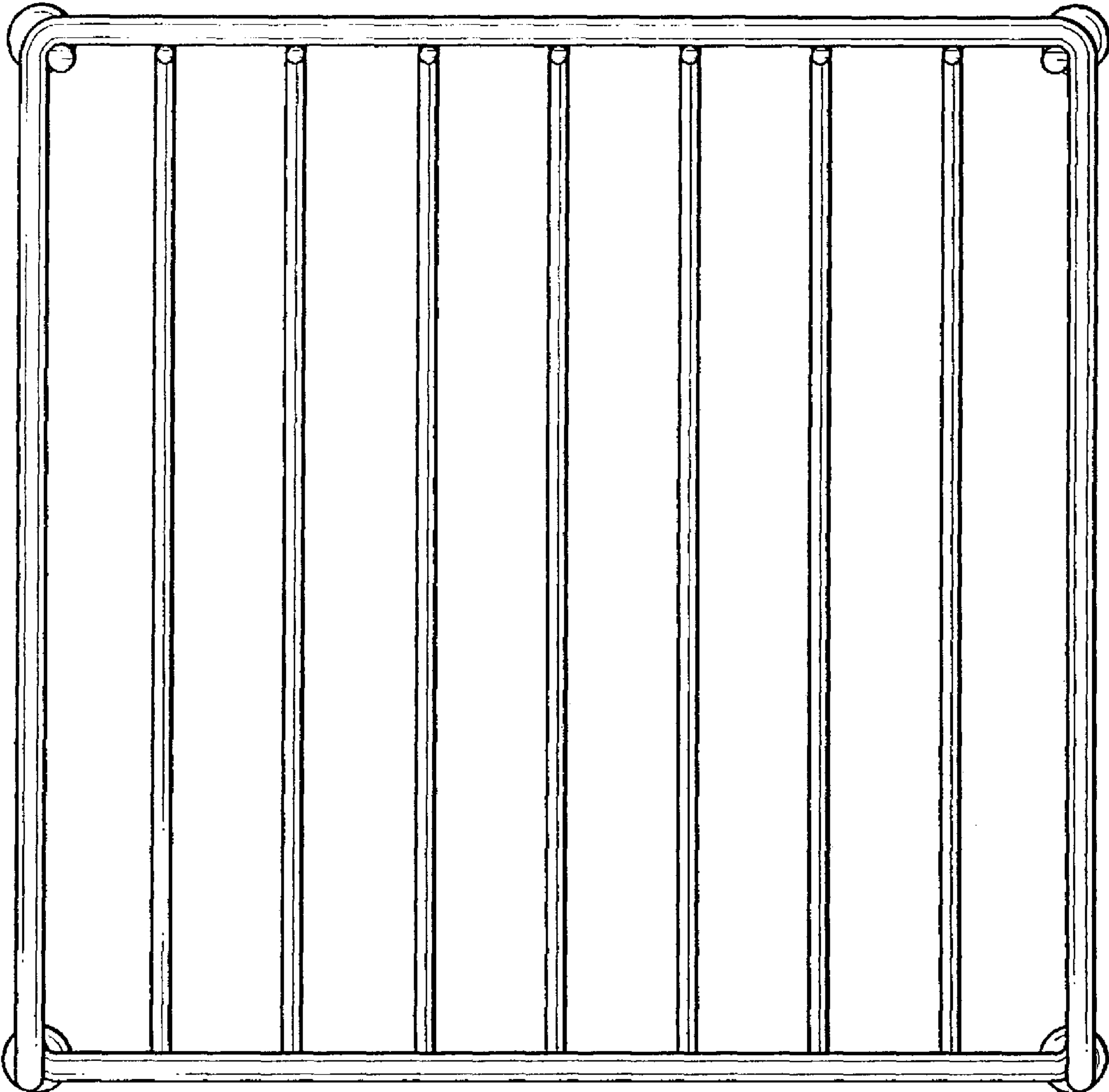


FIG. 6

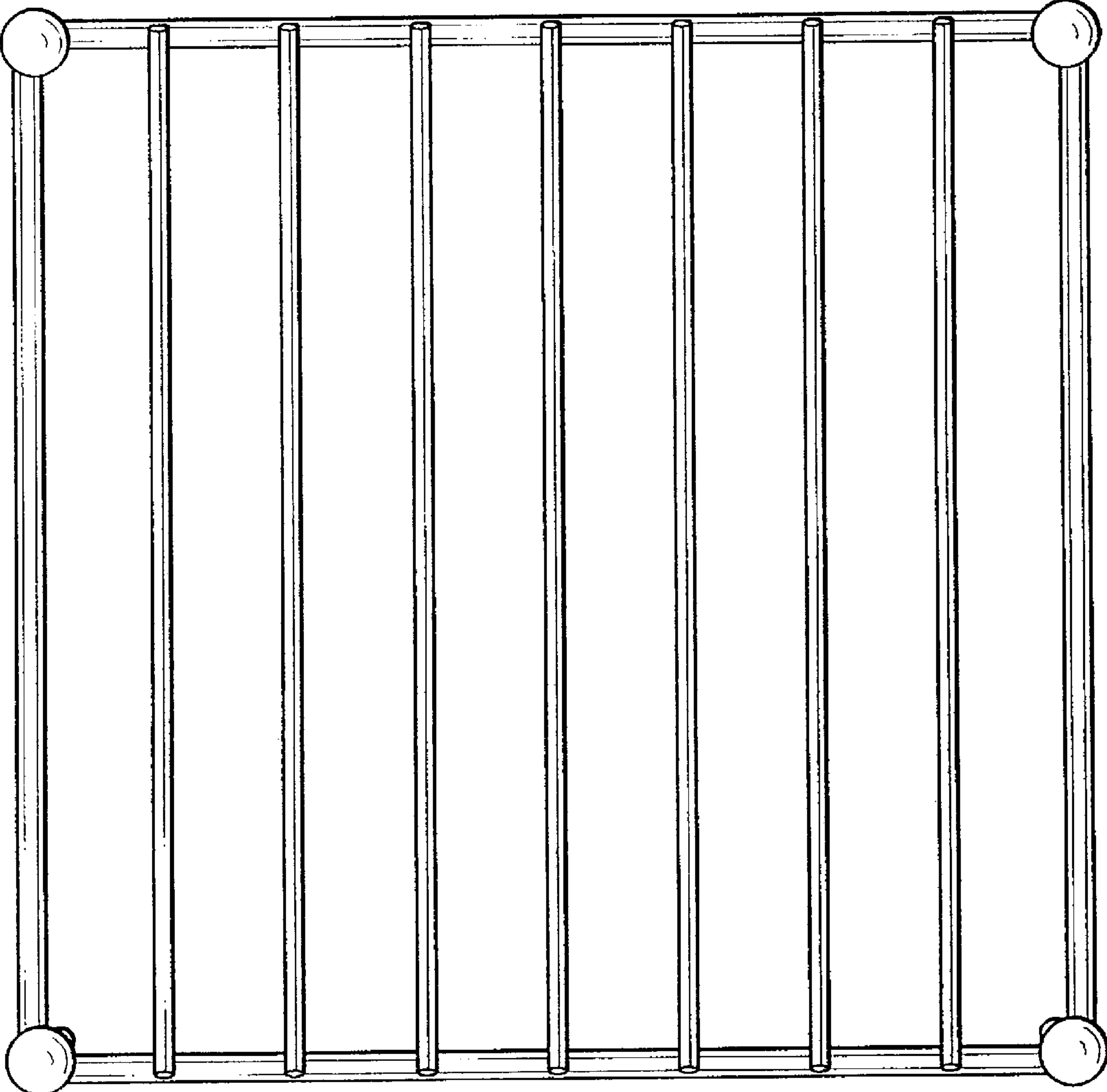


FIG. 7