

US00D640508S

(12) **United States Design Patent**
Bouillon

(10) **Patent No.:** **US D640,508 S**

(45) **Date of Patent:** **** Jun. 28, 2011**

(54) **COFFEE CUP SLEEVE**

(76) Inventor: **Maria de Lourdes Bouillon**, Carlsbad,
CA (US)

(**) Term: **14 Years**

(21) Appl. No.: **29/361,563**

(22) Filed: **May 12, 2010**

(51) **LOC (9) Cl.** **07-06**

(52) **U.S. Cl.** **D7/624.2**

(58) **Field of Classification Search** D7/619.1-625,
D7/607; 220/737, 739, 902, 903; 229/400,
229/402, 403, 800, 906.1, 939; D9/444;
62/457.1-457.9, 529, 530

See application file for complete search history.

(56) **References Cited**

U.S. PATENT DOCUMENTS

4,181,765	A *	1/1980	Harmony	220/903
4,989,418	A *	2/1991	Hewlett	62/530
D429,447	S *	8/2000	Prag	D7/607
D515,365	S *	2/2006	Cooper	D7/624.2
D595,096	S *	6/2009	Slay	D7/624.2
D597,795	S *	8/2009	Ford	D7/624.2

2004/0173625	A1 *	9/2004	Jones	220/739
2007/0125787	A1 *	6/2007	Oathout et al.	220/903
2007/0125791	A1 *	6/2007	Donnelly et al.	220/737

* cited by examiner

Primary Examiner — Terry A Wallace

(74) *Attorney, Agent, or Firm* — Eric Hanscom; Todd J. Langford

(57) **CLAIM**

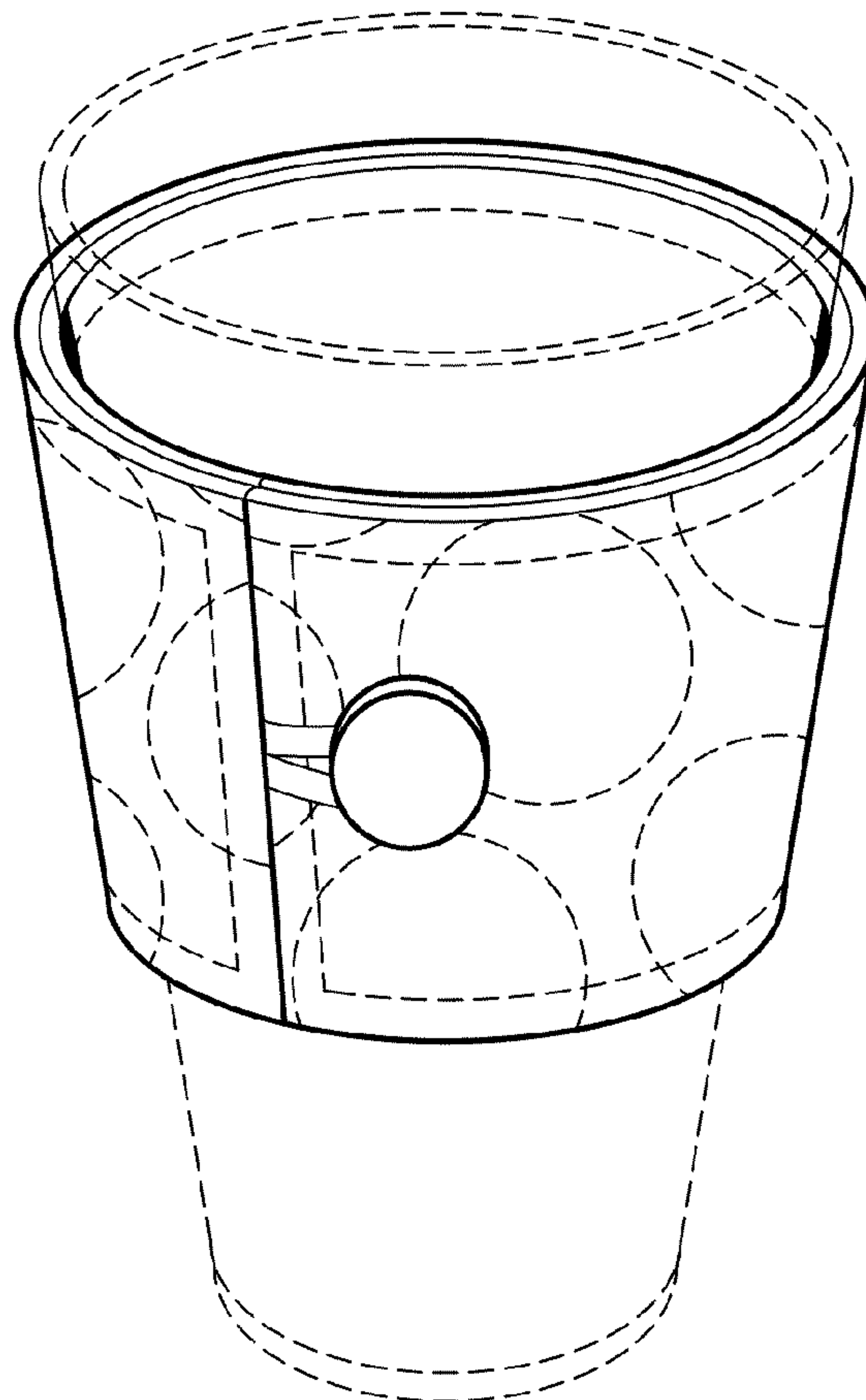
The ornamental design for a coffee cup sleeve, as shown and described.

DESCRIPTION

FIG. 1 is a front perspective view of the coffee cup sleeve showing my new design;
FIG. 2 is a back perspective view thereof;
FIG. 3 is a front view thereof;
FIG. 4 is a top view thereof;
FIG. 5 is a right-side view thereof;
FIG. 6 is a left-side view thereof;
FIG. 7 is a back view thereof; and,
FIG. 8 is a bottom view thereof.

The dashed lines as for purposes of illustration only and are not claimed as part of this patent application.

1 Claim, 2 Drawing Sheets



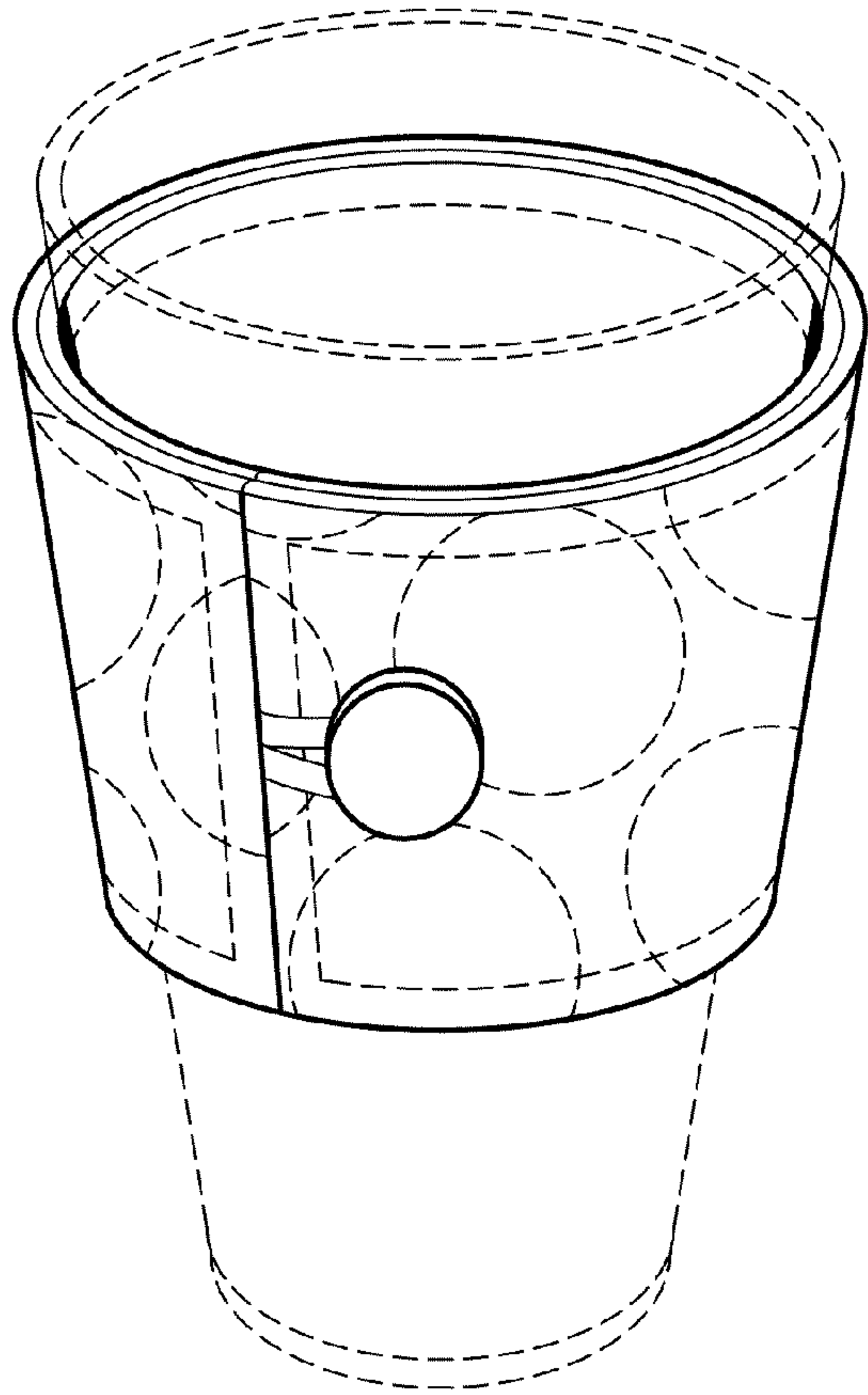


FIG. 1

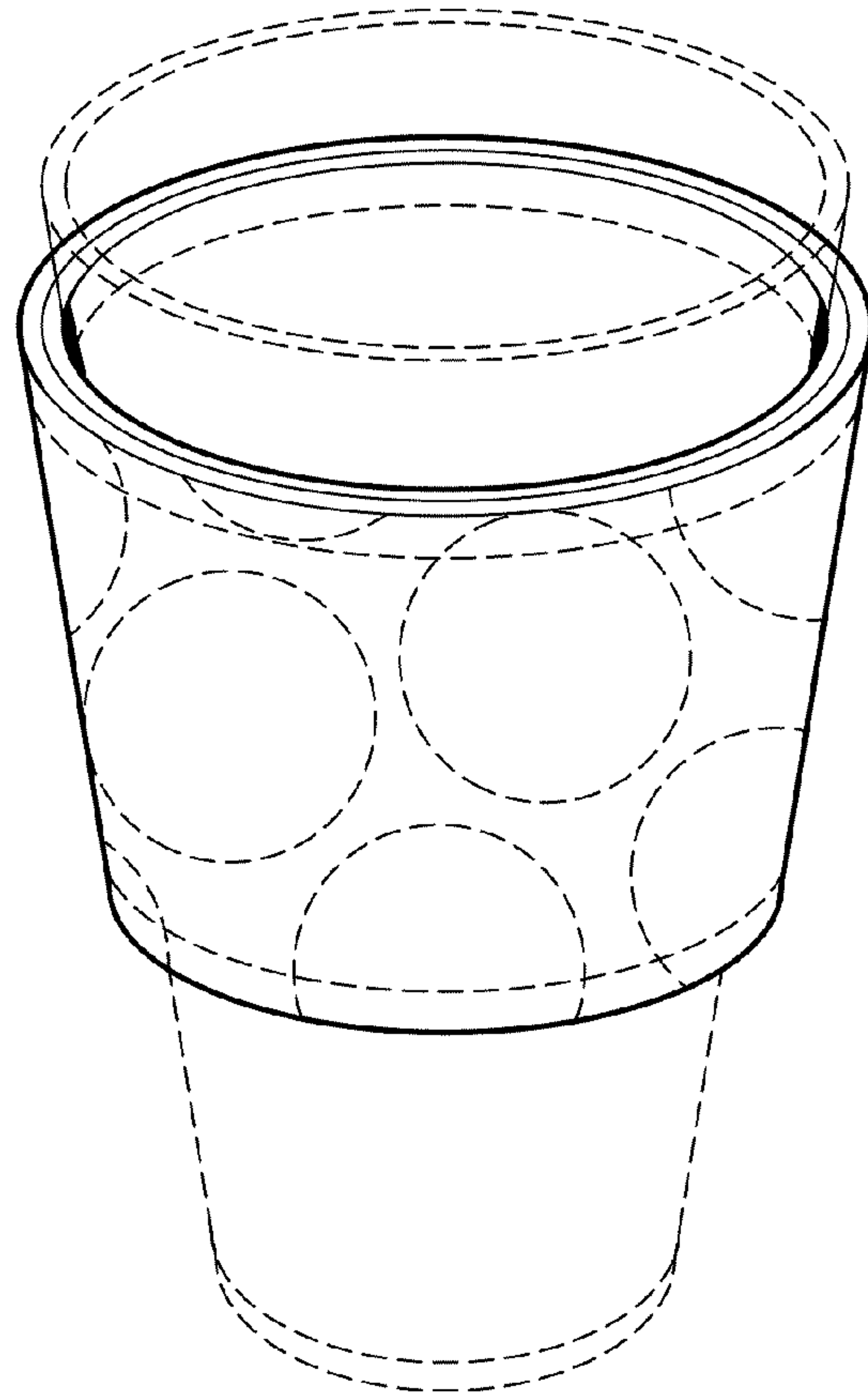


FIG. 2

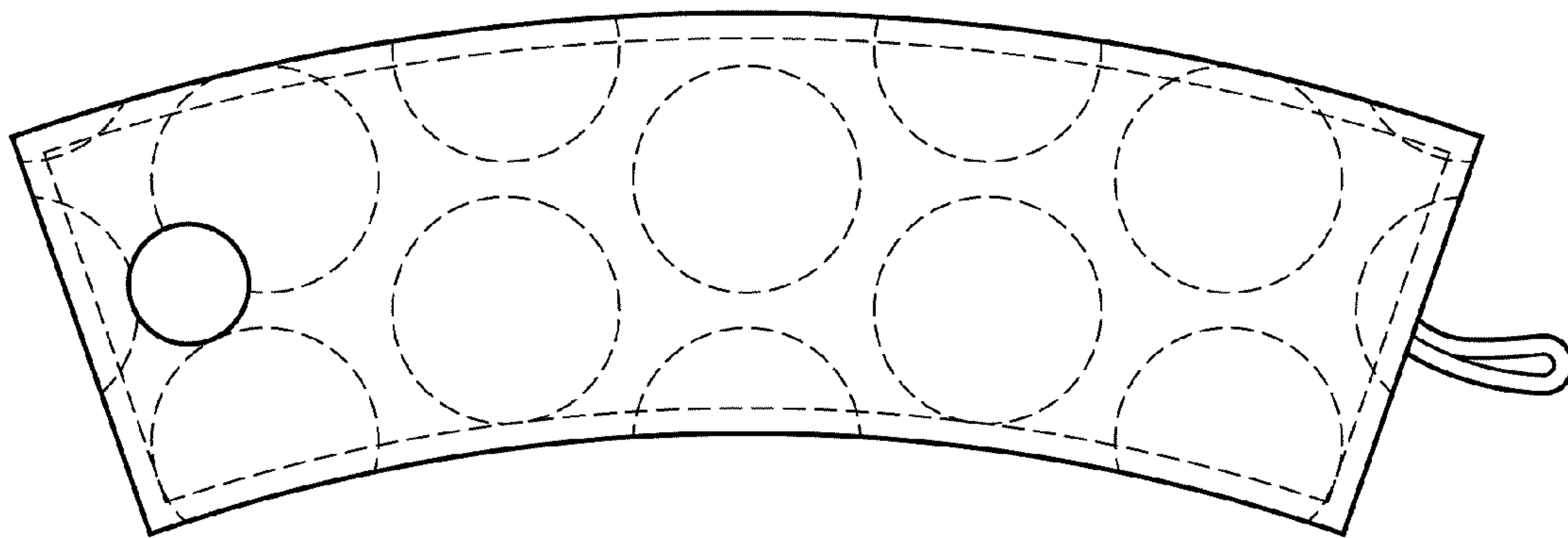


FIG. 3

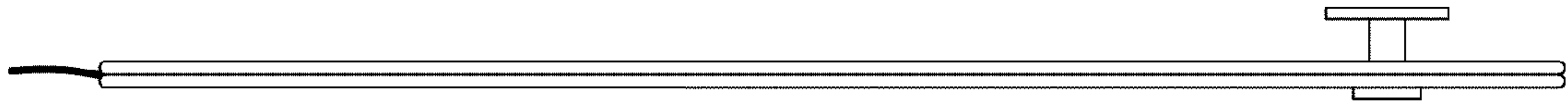


FIG. 4

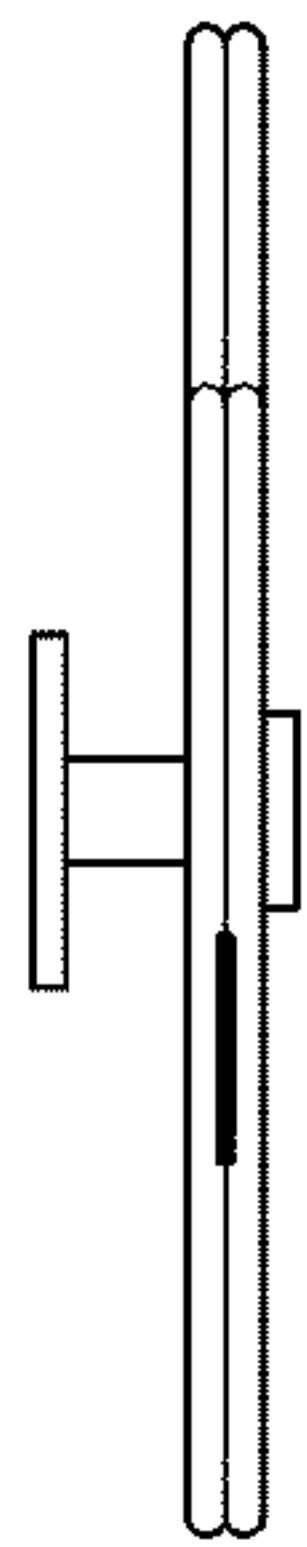


FIG. 6

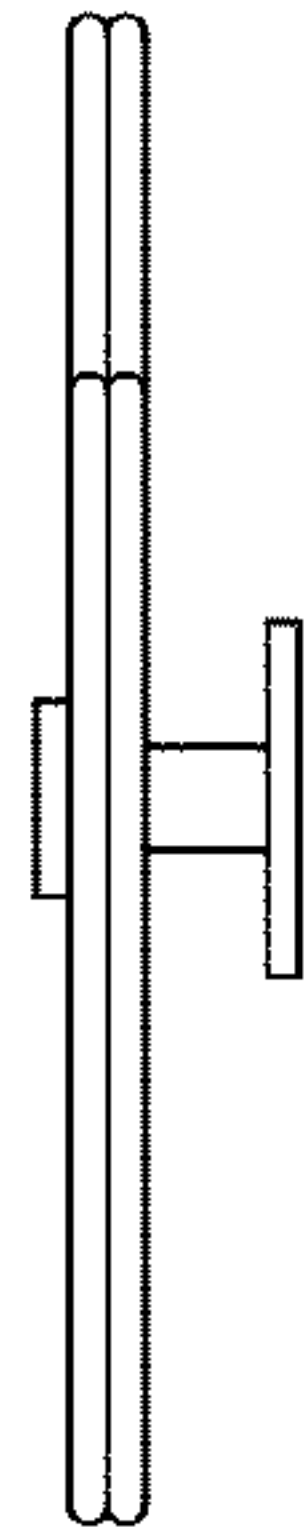


FIG. 5

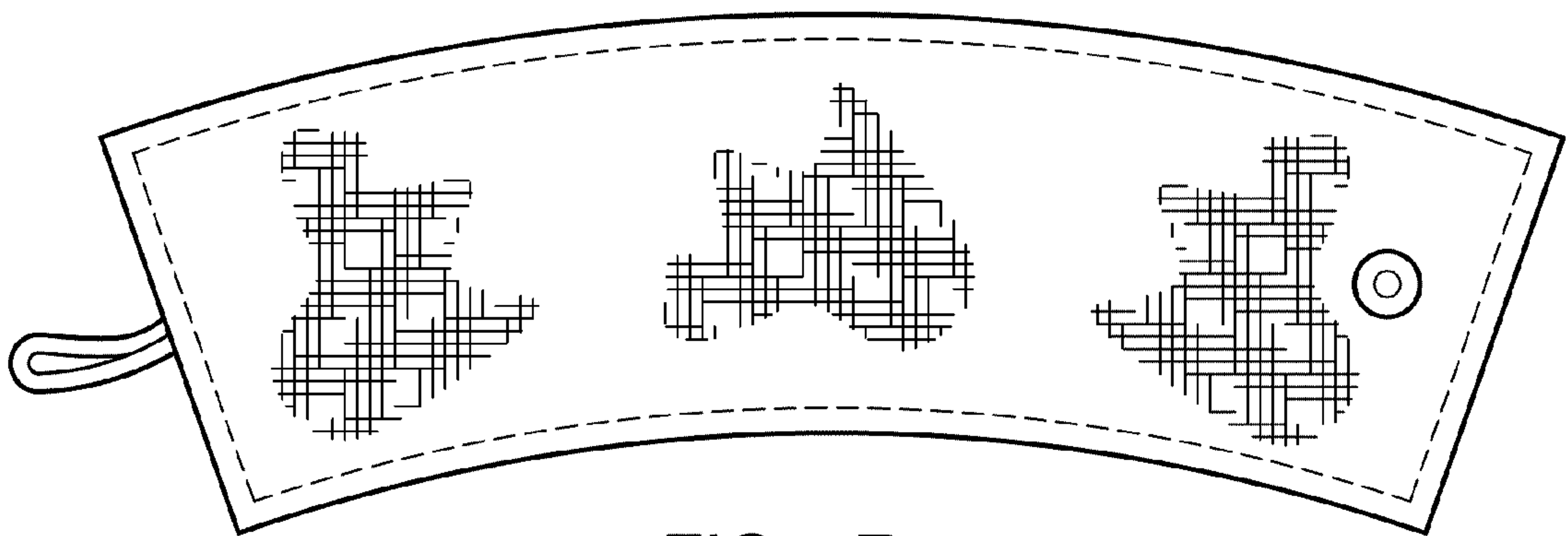


FIG. 7

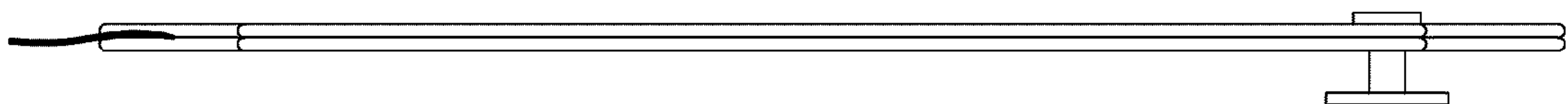


FIG. 8