

US00D640503S

(12) **United States Design Patent**  
**Millet et al.**

(10) **Patent No.:** **US D640,503 S**  
(45) **Date of Patent:** **\*\* Jun. 28, 2011**

(54) **TACO HOLDER**

(76) Inventors: **David L. Millet, SLC, UT (US); Gary Millet, SLC, UT (US)**

(\*\*) Term: **14 Years**

(21) Appl. No.: **29/376,408**

(22) Filed: **Oct. 6, 2010**

(51) **LOC (9) Cl.** ..... **07-01**

(52) **U.S. Cl.** ..... **D7/504**

(58) **Field of Classification Search** ..... D7/601,  
D7/602, 504; 219/730, 725, 734; 229/902,  
229/906, 908, 904, 400, 104, 115, 125.125,  
229/145, 151, 186, 938; 294/1.3; 426/107;  
D1/105; D9/433, 703, 711, 712, 713; 211/85.4;  
248/176.1, 174, 152  
See application file for complete search history.

(56) **References Cited**

**U.S. PATENT DOCUMENTS**

3,446,416	A *	5/1969	Epstein	.....	206/557
4,267,955	A *	5/1981	Struble	.....	229/117.03
4,929,458	A	5/1990	Smietana		
5,005,704	A	4/1991	Martin		
5,065,870	A	11/1991	Conder, Jr.		
5,421,508	A	6/1995	Beales		
5,503,477	A	4/1996	Schlough		
5,518,169	A	5/1996	Beales		
5,921,466	A	7/1999	Speese et al.		
D478,283	S *	8/2003	Shimakawa	.....	D9/713
D558,951	S	1/2008	Proffitt		

\* cited by examiner

*Primary Examiner* — Terry Wallace

(74) *Attorney, Agent, or Firm* — Workman Nydegger

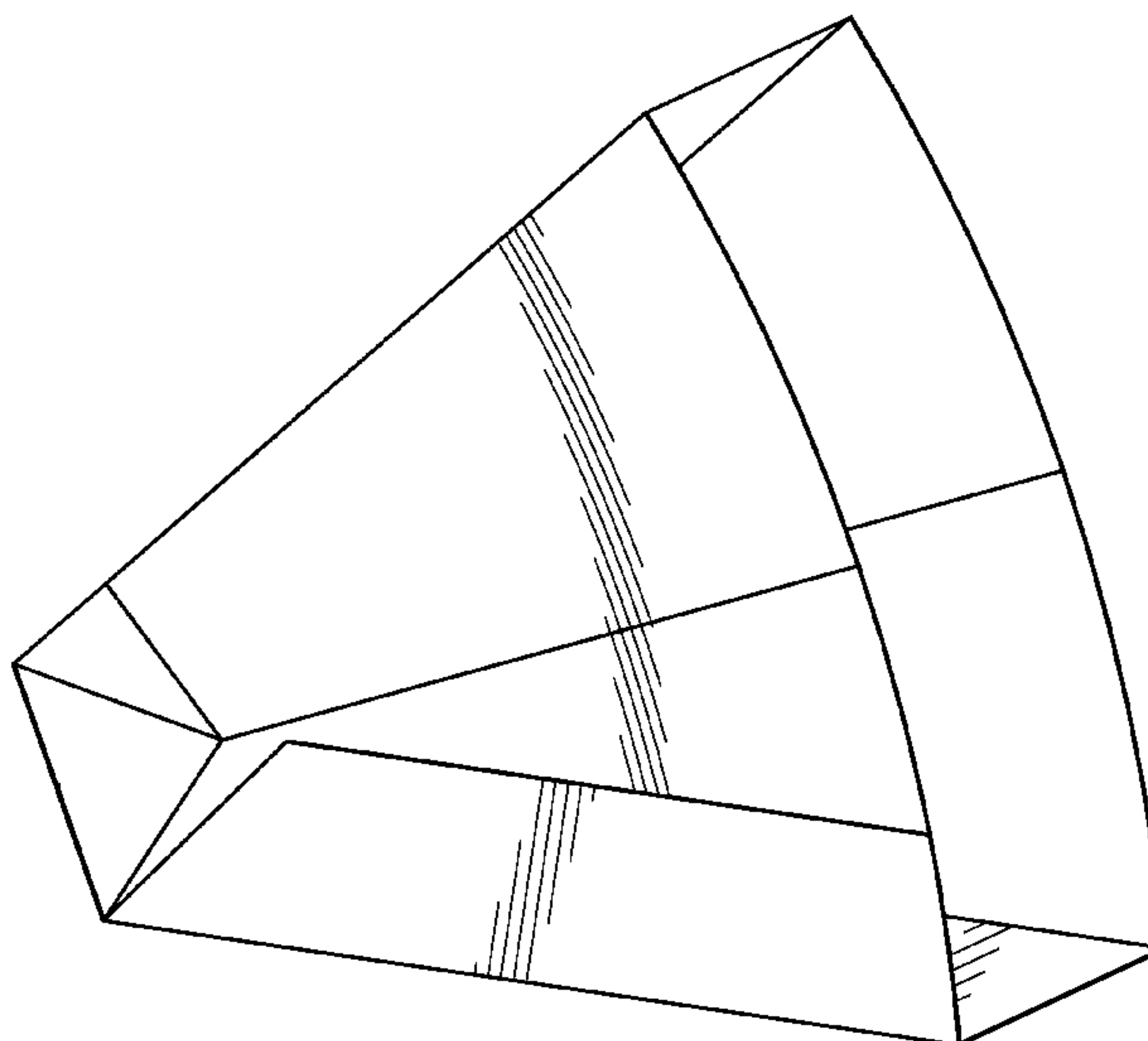
(57) **CLAIM**

The ornamental design for a taco holder, as shown and described.

**DESCRIPTION**

FIG. 1 is a perspective view of a taco holder of the present invention showing the design in a folded configuration; FIG. 2 is a top plan view of the taco holder of FIG. 1; FIG. 3 is a left side elevational view of the taco holder of FIG. 1; FIG. 4 is a right side elevational view of the taco holder of FIG. 1; FIG. 5 is a front elevational view of the taco holder of FIG. 1; FIG. 6 is a rear elevational view of the taco holder of FIG. 1; FIG. 7 is a bottom plan view of the taco holder of FIG. 1; FIG. 8 is a perspective view of the taco holder of the present invention showing the design in an intermediate configuration; FIG. 9 is a top plan view of the taco holder of FIG. 9; FIG. 10 is a left side elevational view of the taco holder of FIG. 9; FIG. 11 is a right side elevational view of the taco holder of FIG. 9; FIG. 12 is a front elevational view of the taco holder of FIG. 9; FIG. 13 is a rear elevational view of the taco holder of FIG. 9; FIG. 14 is a bottom plan view of the taco holder of FIG. 9; FIG. 15 is a perspective view of the taco holder of the present invention showing the design in an expanded configuration; FIG. 16 is a top plan view of the taco holder of FIG. 16; FIG. 17 is a left side elevational view of the taco holder of FIG. 16; FIG. 18 is a right side elevational view of the taco holder of FIG. 16; FIG. 19 is a front elevational view of the taco holder of FIG. 16; FIG. 20 is a rear elevational view of the taco holder of FIG. 16; FIG. 21 is a bottom plan view of the taco holder of FIG. 16; and, FIG. 22 is a perspective view of the taco holder of FIG. 16 with a taco inserted therein shown in phantom lines. The broken, phantom lines shown in the drawings illustrate portions a taco in a taco holder that form no part of the claimed design.

**1 Claim, 10 Drawing Sheets**



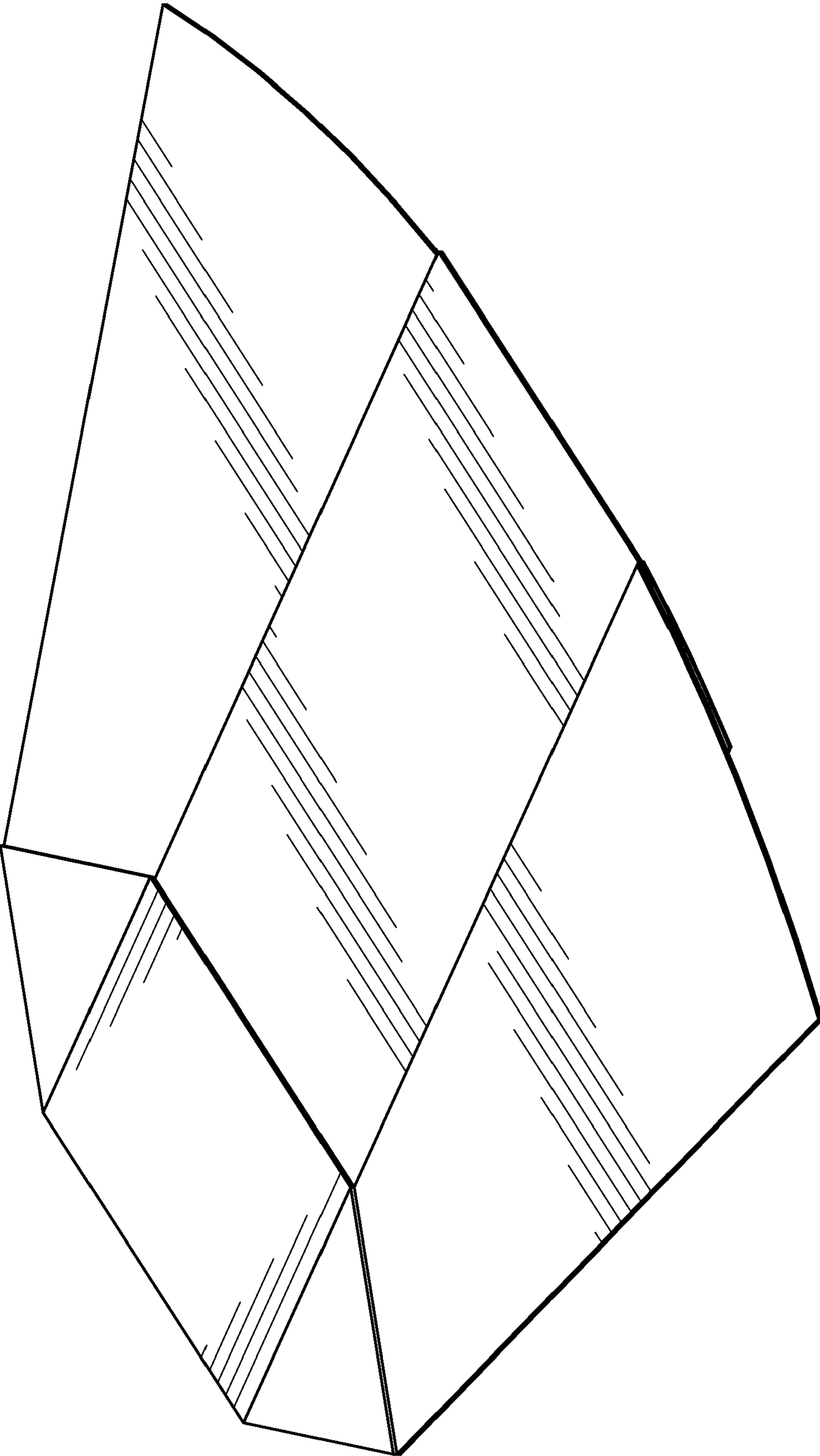
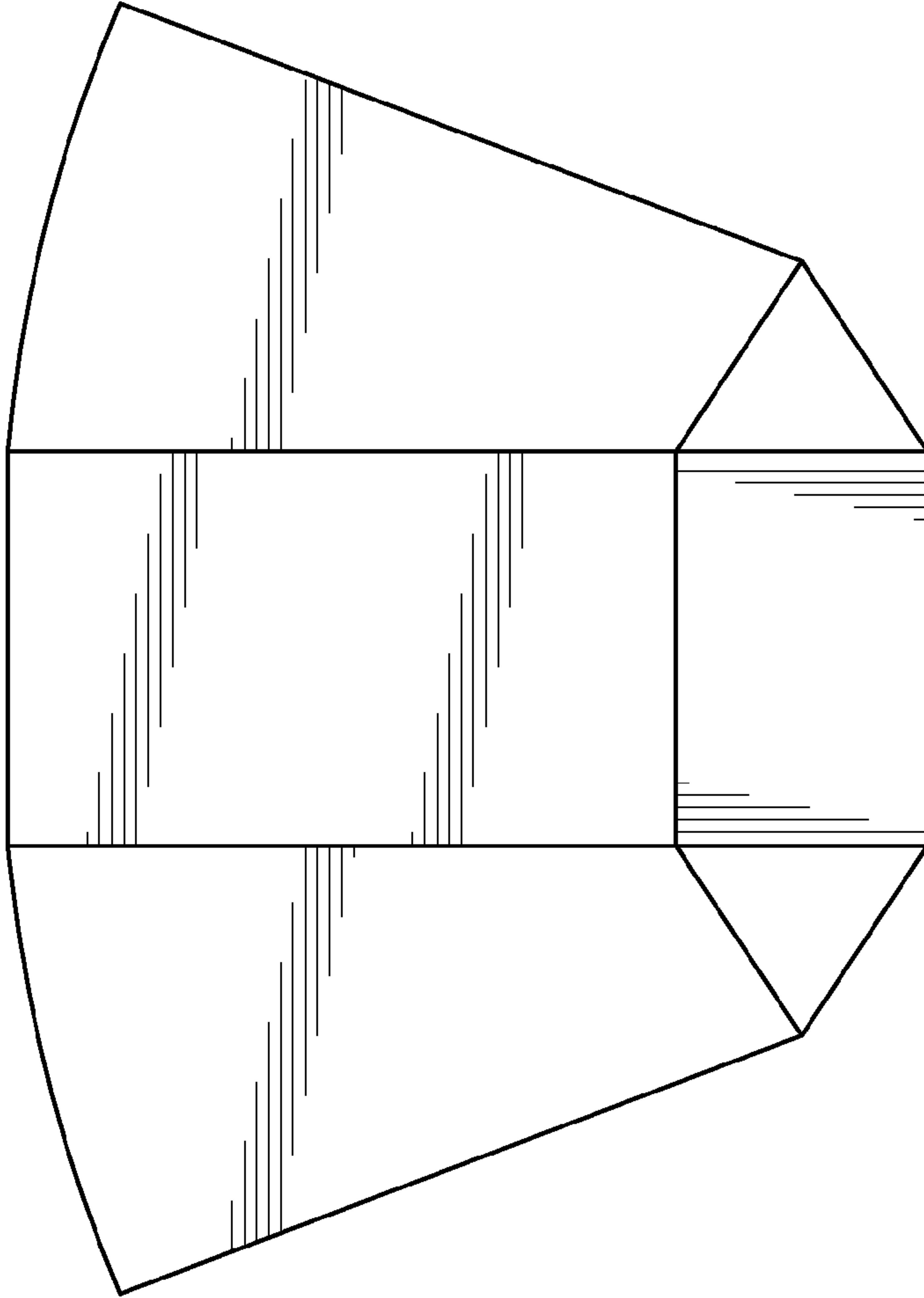


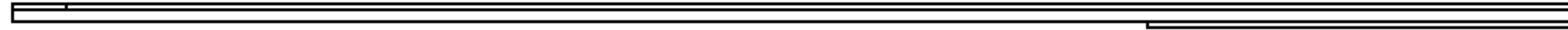
Fig. 1



**Fig. 5**



**Fig. 2**



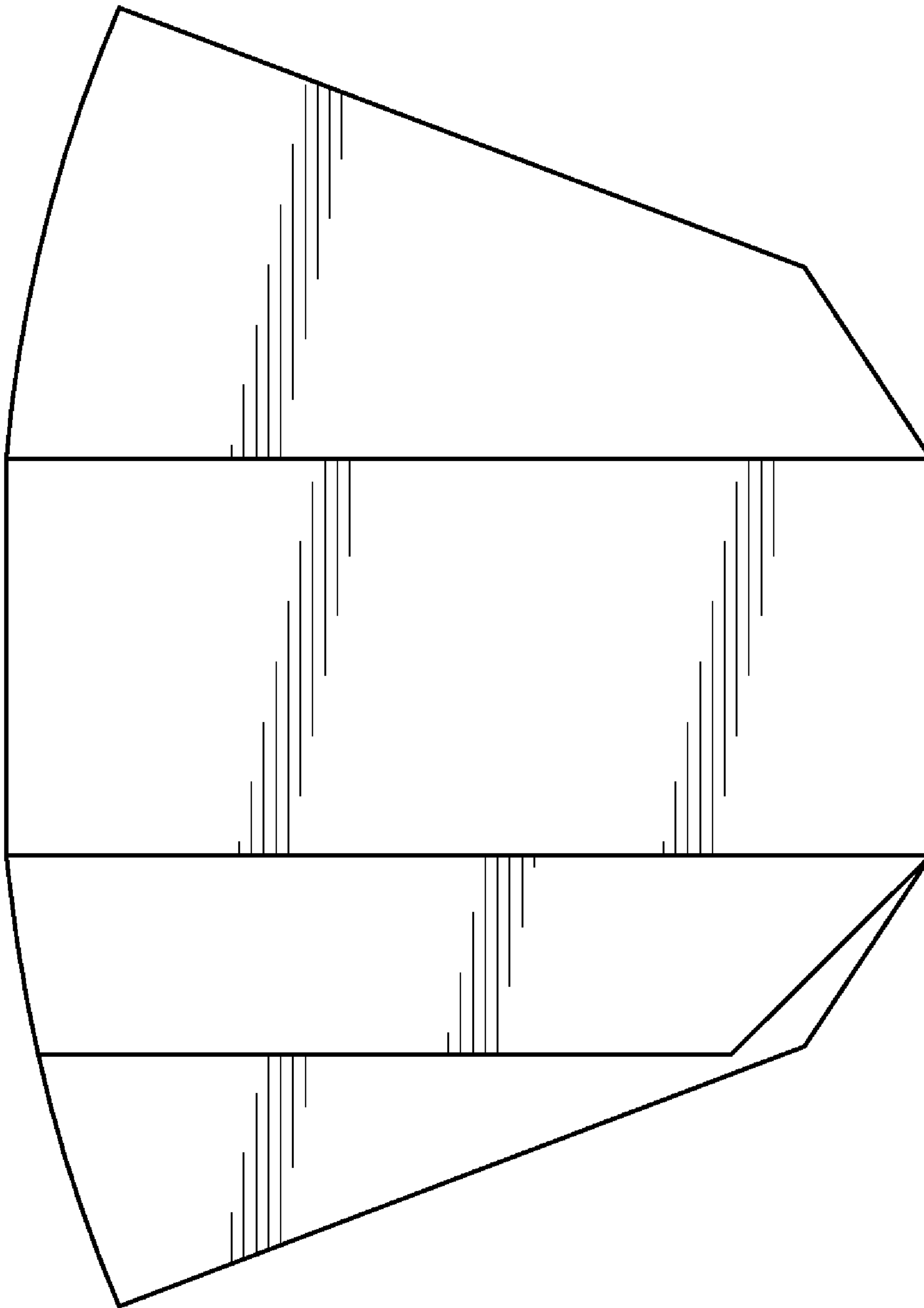
**Fig. 4**



**Fig. 3**



**Fig. 6**



**Fig. 7**

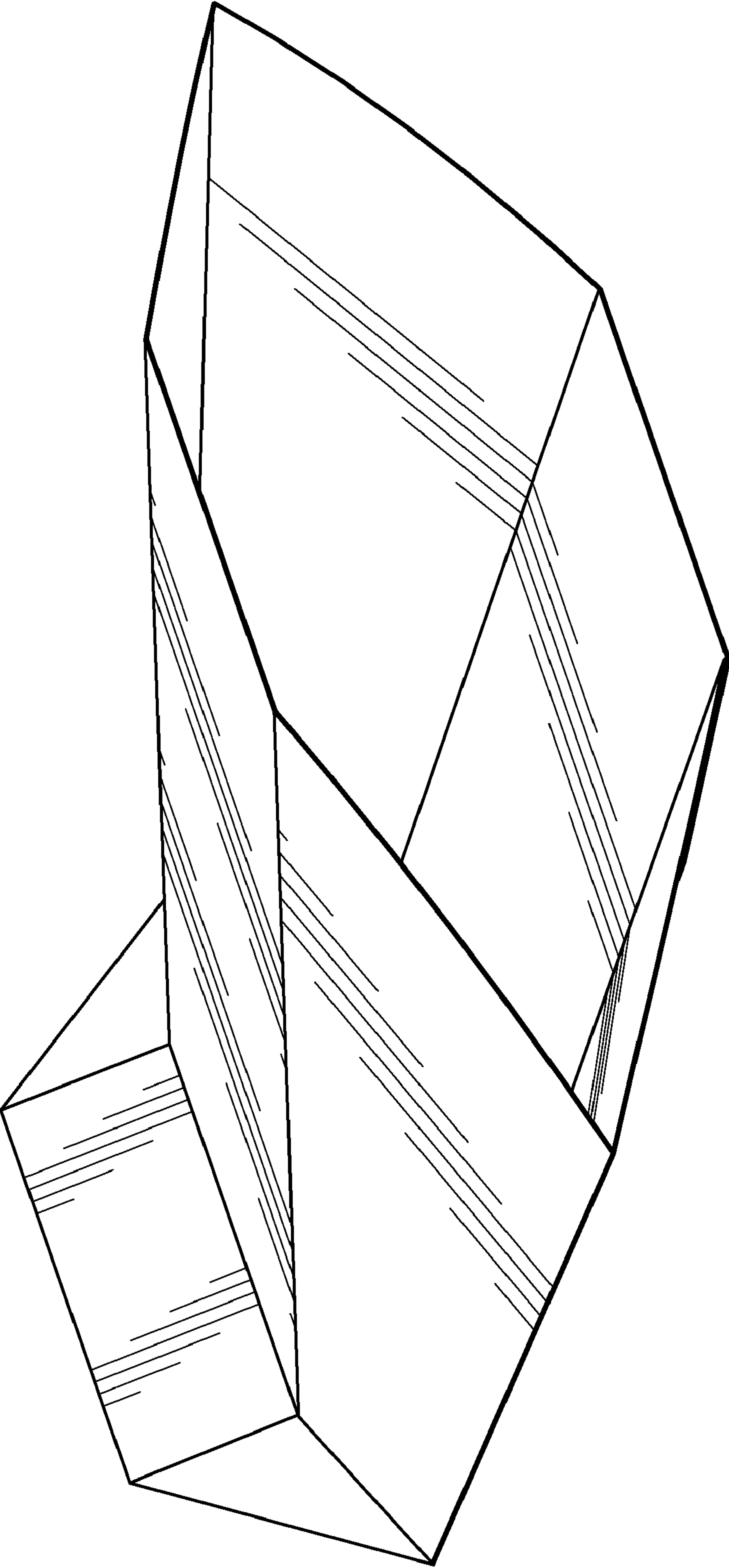
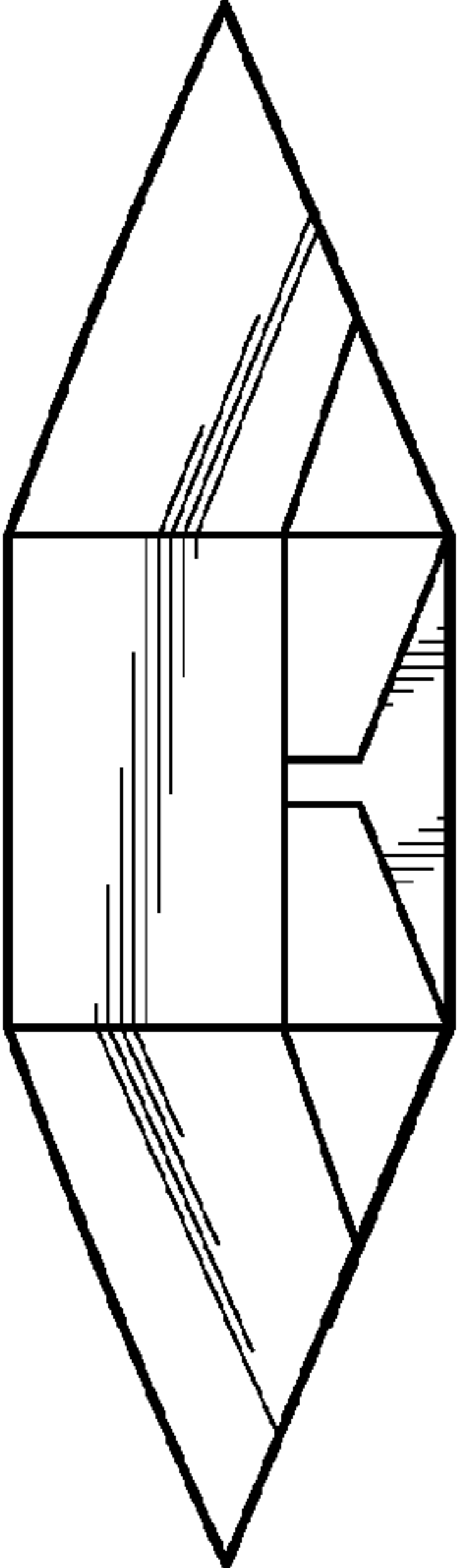
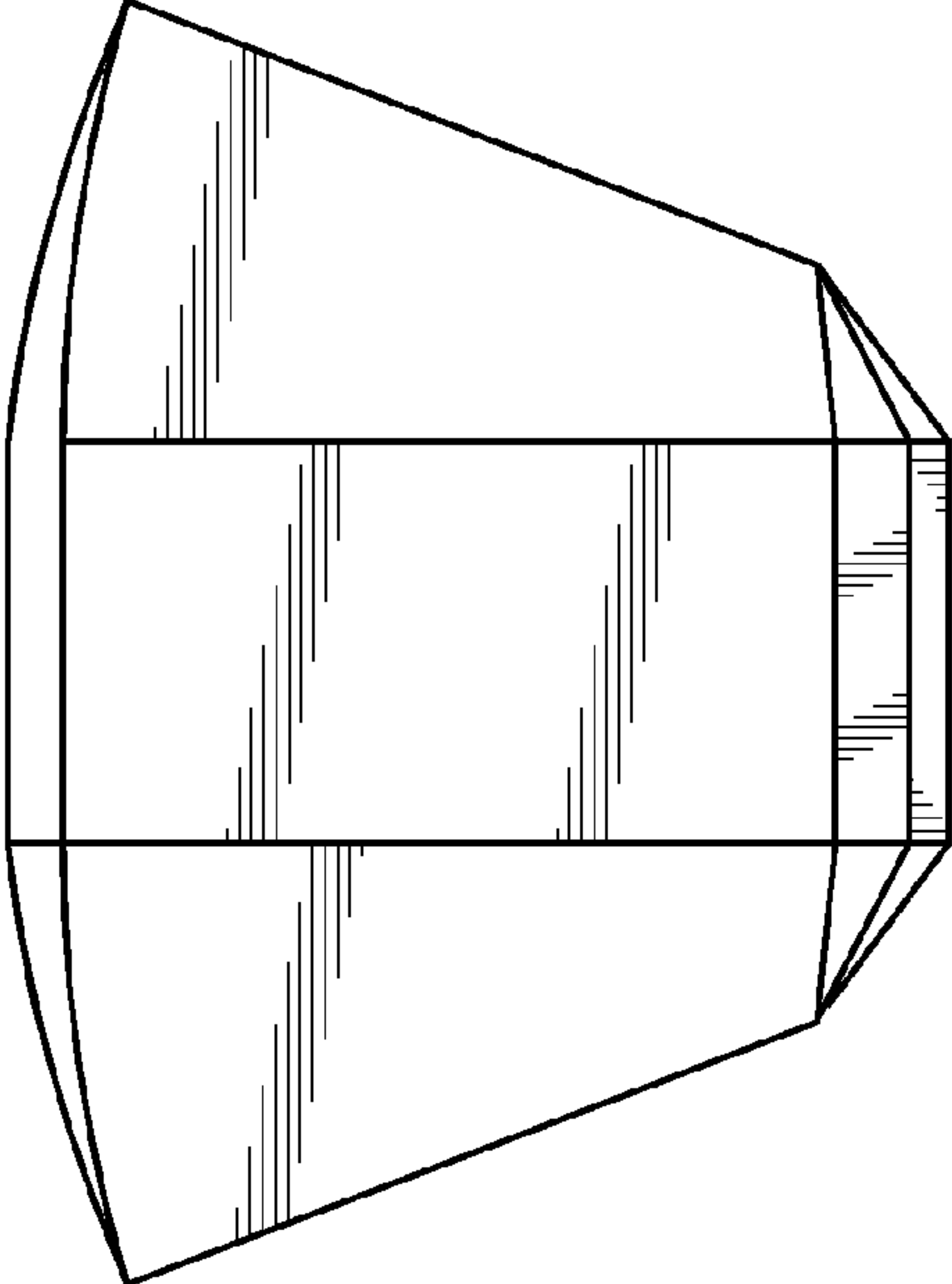


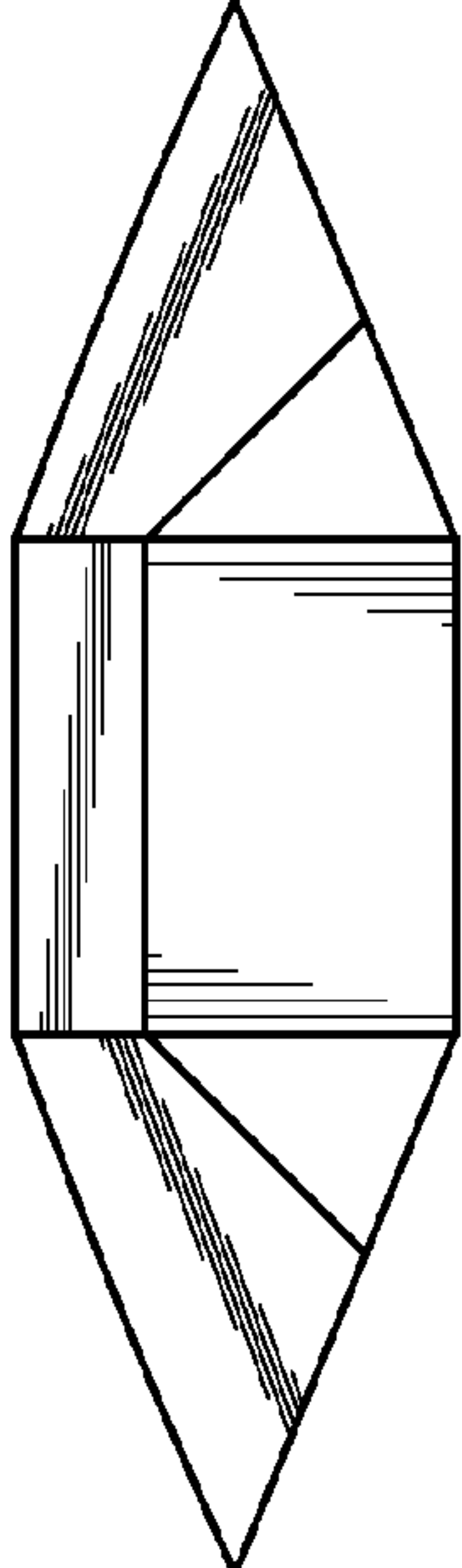
Fig. 8



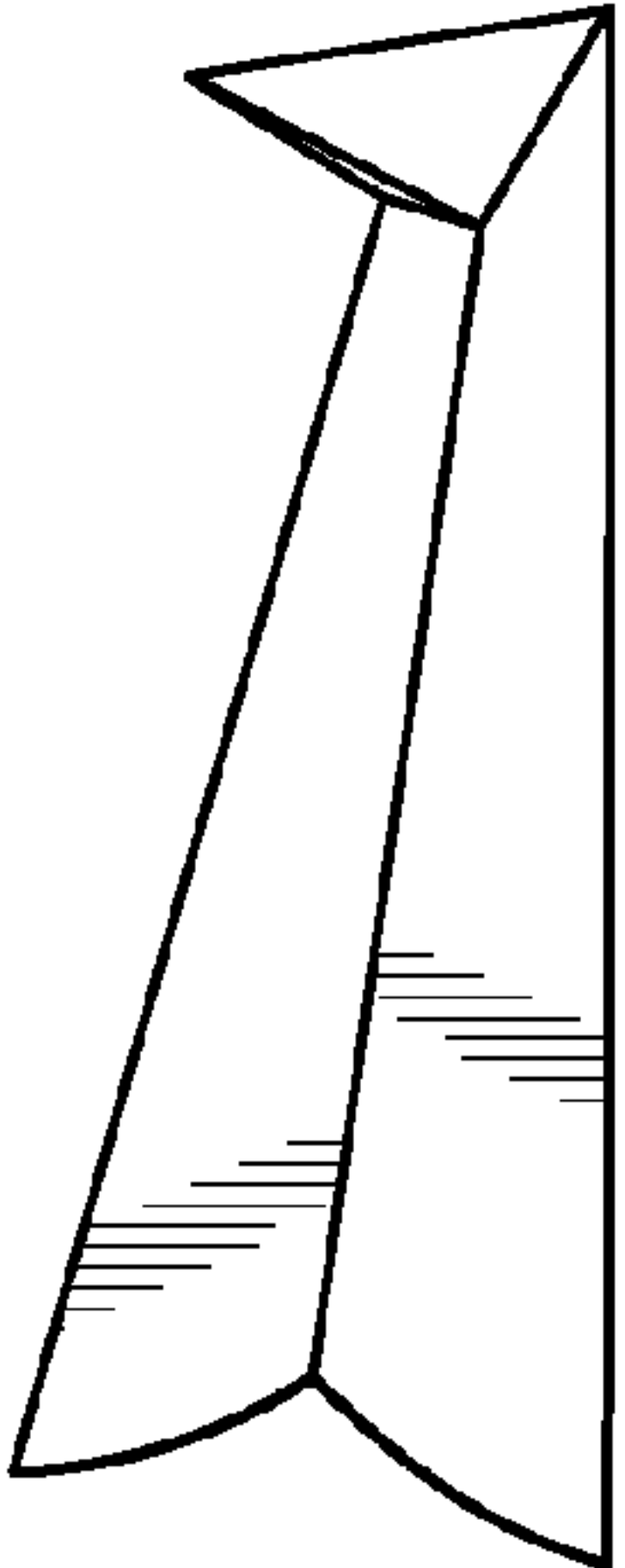
**Fig. 12**



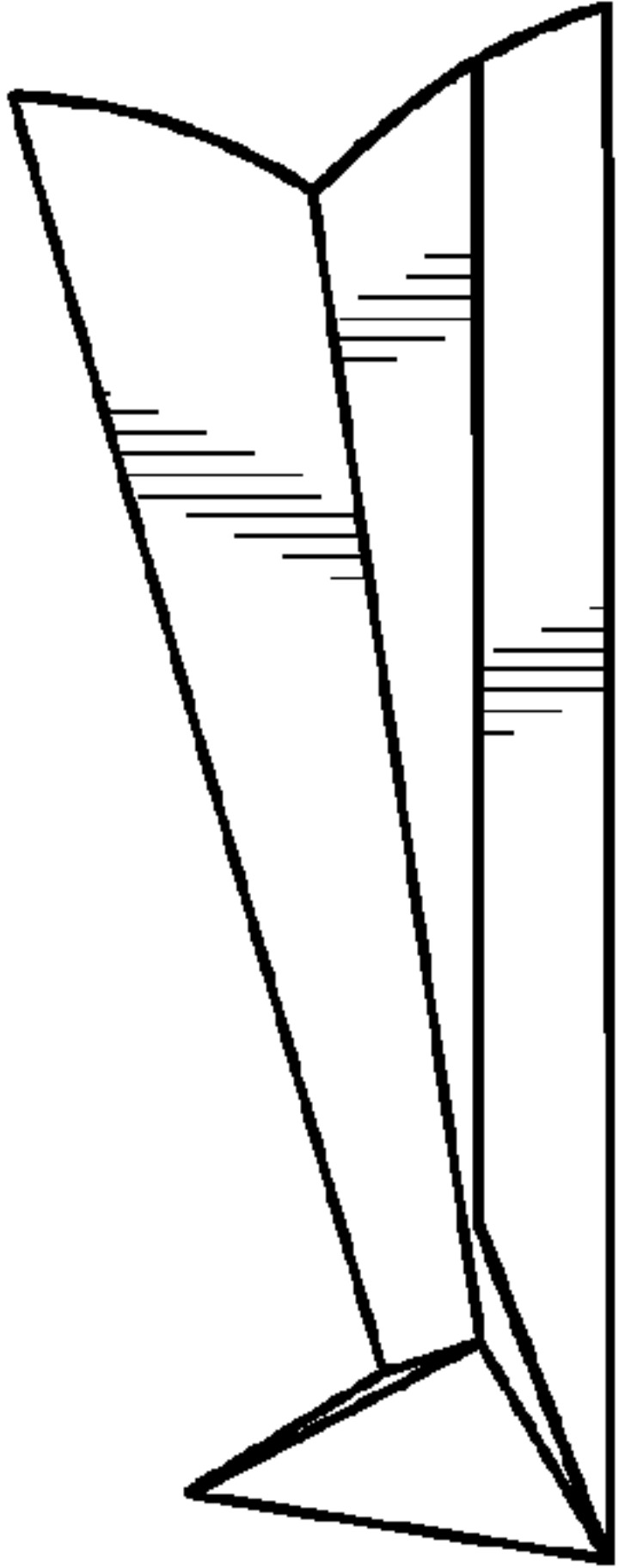
**Fig. 9**



**Fig. 13**

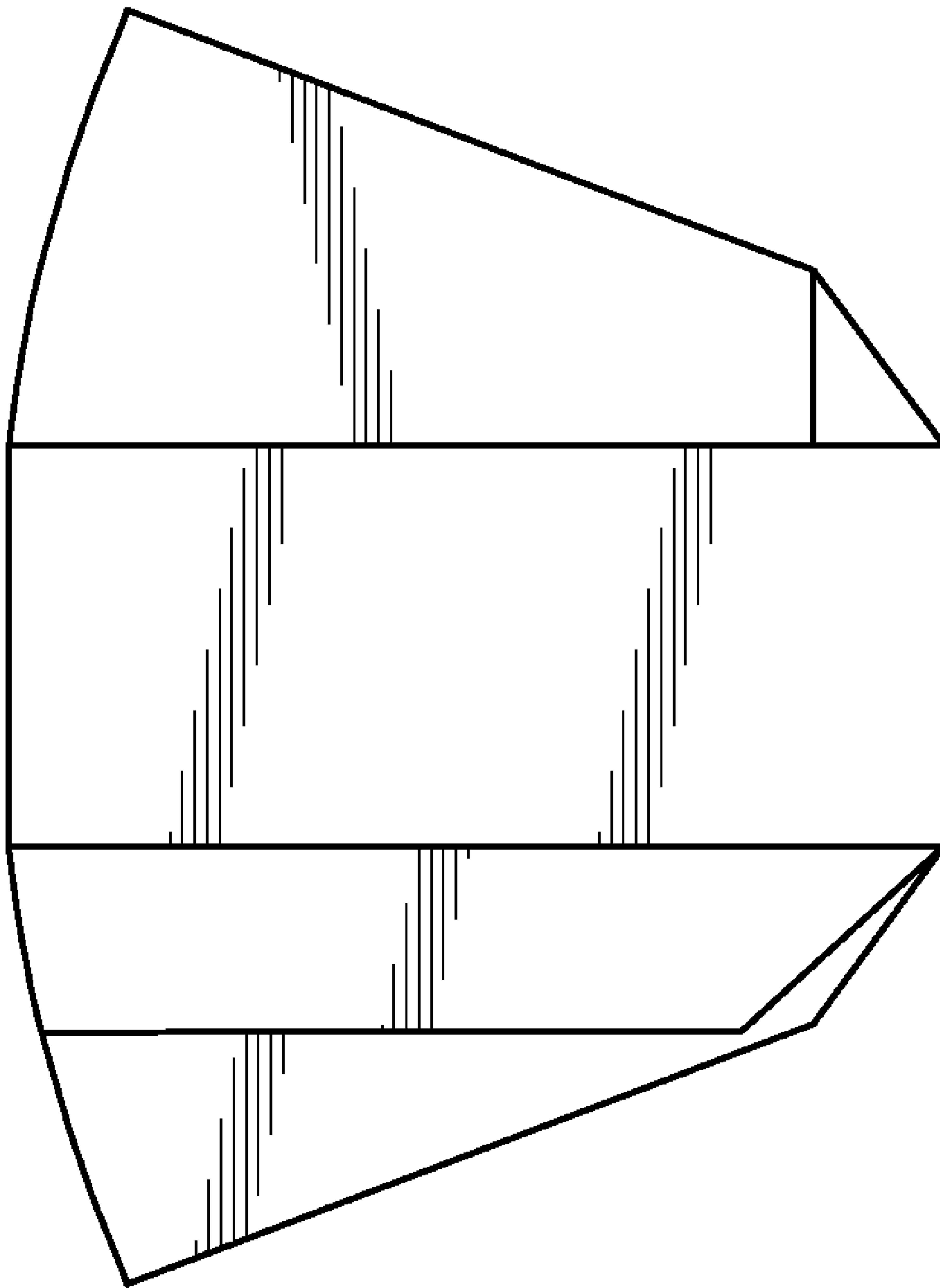


**Fig. 10**

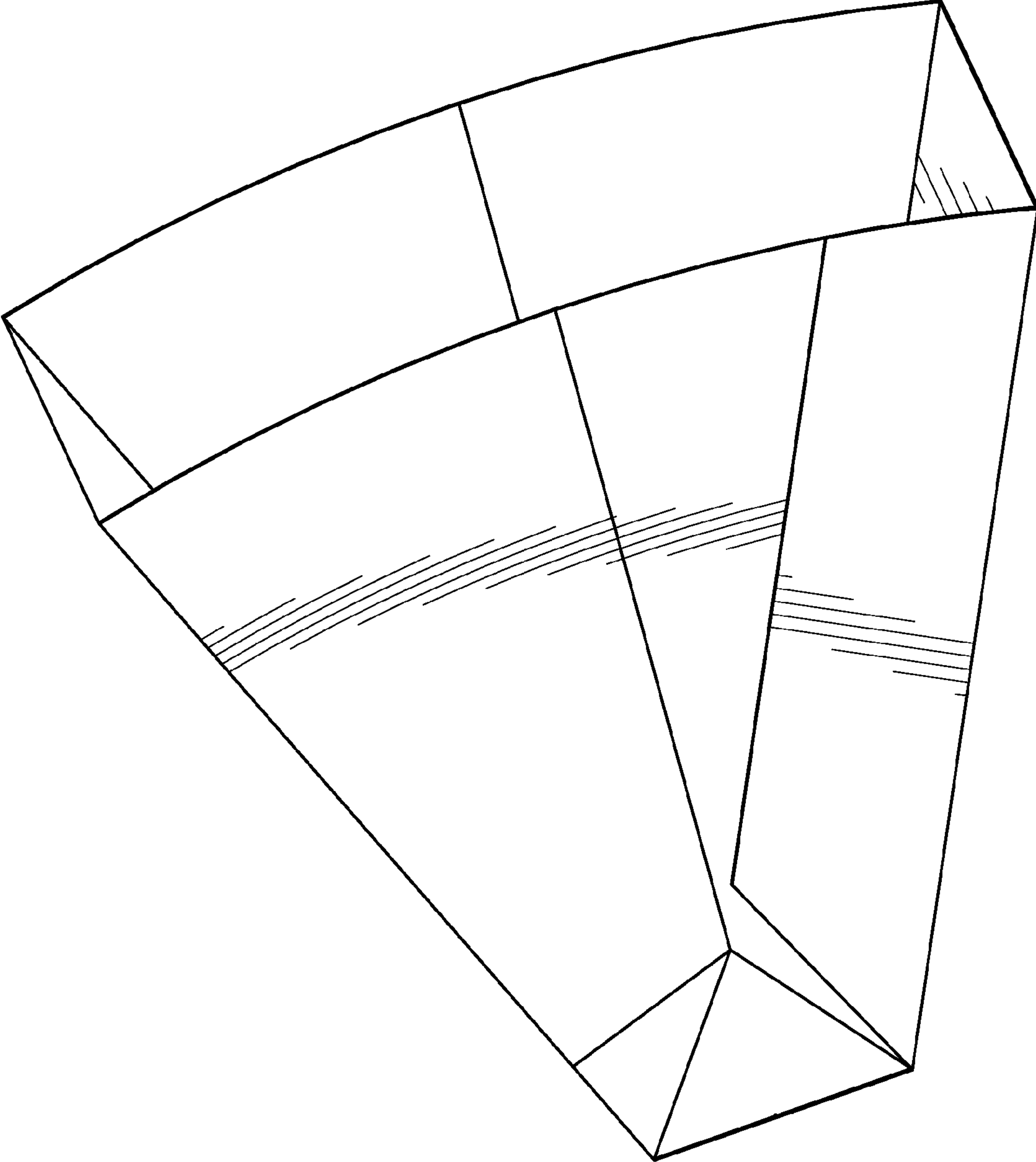


**Fig. 11**





**Fig. 14**

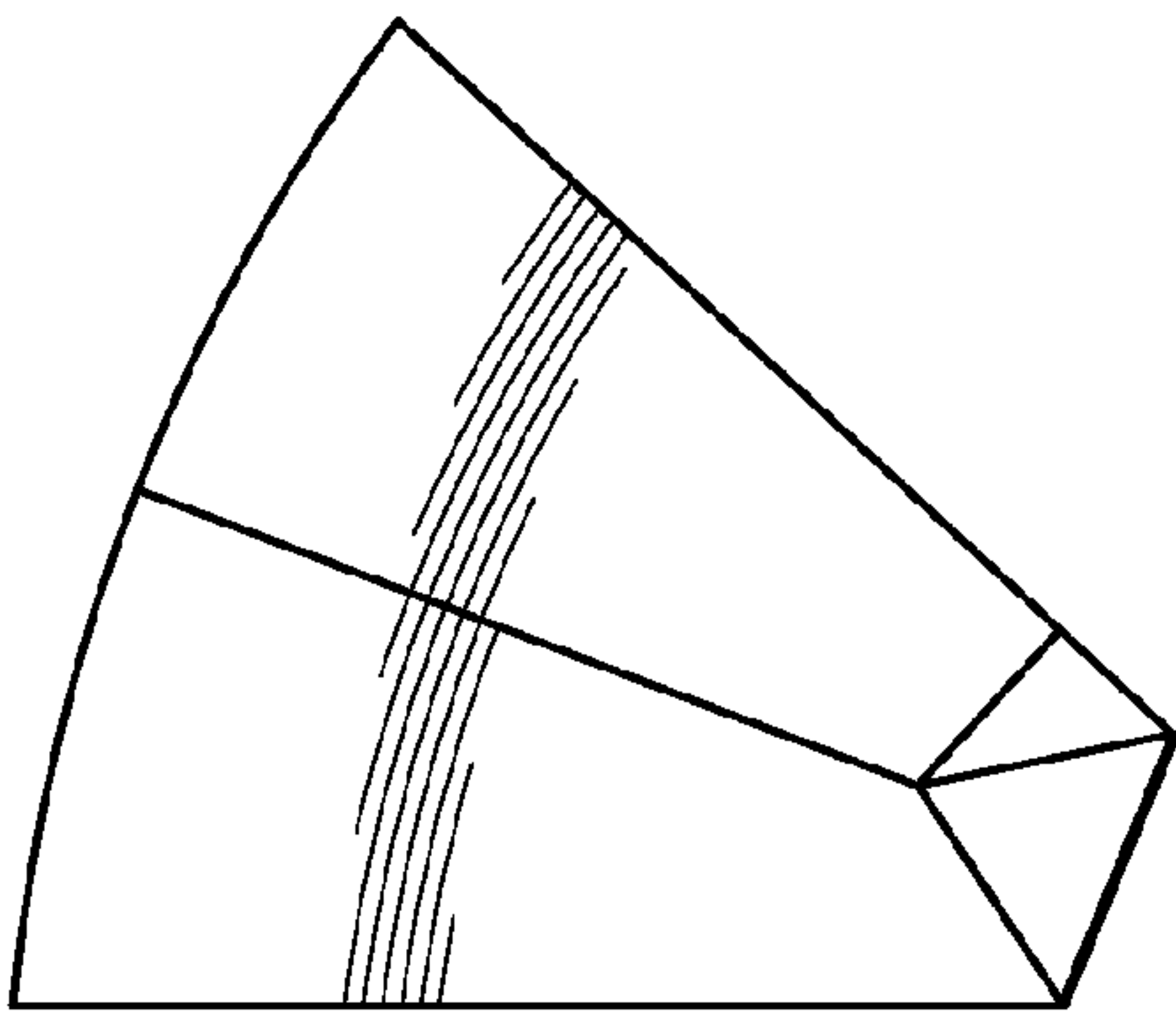


**Fig. 15**

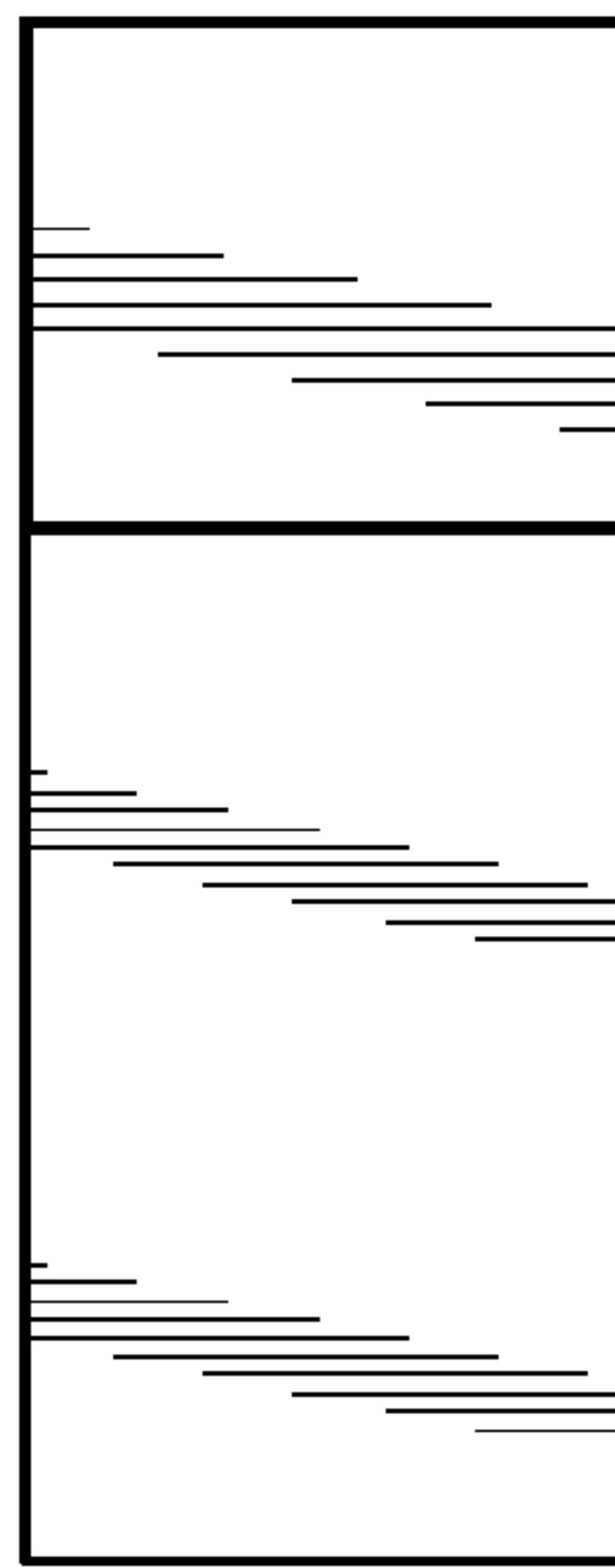




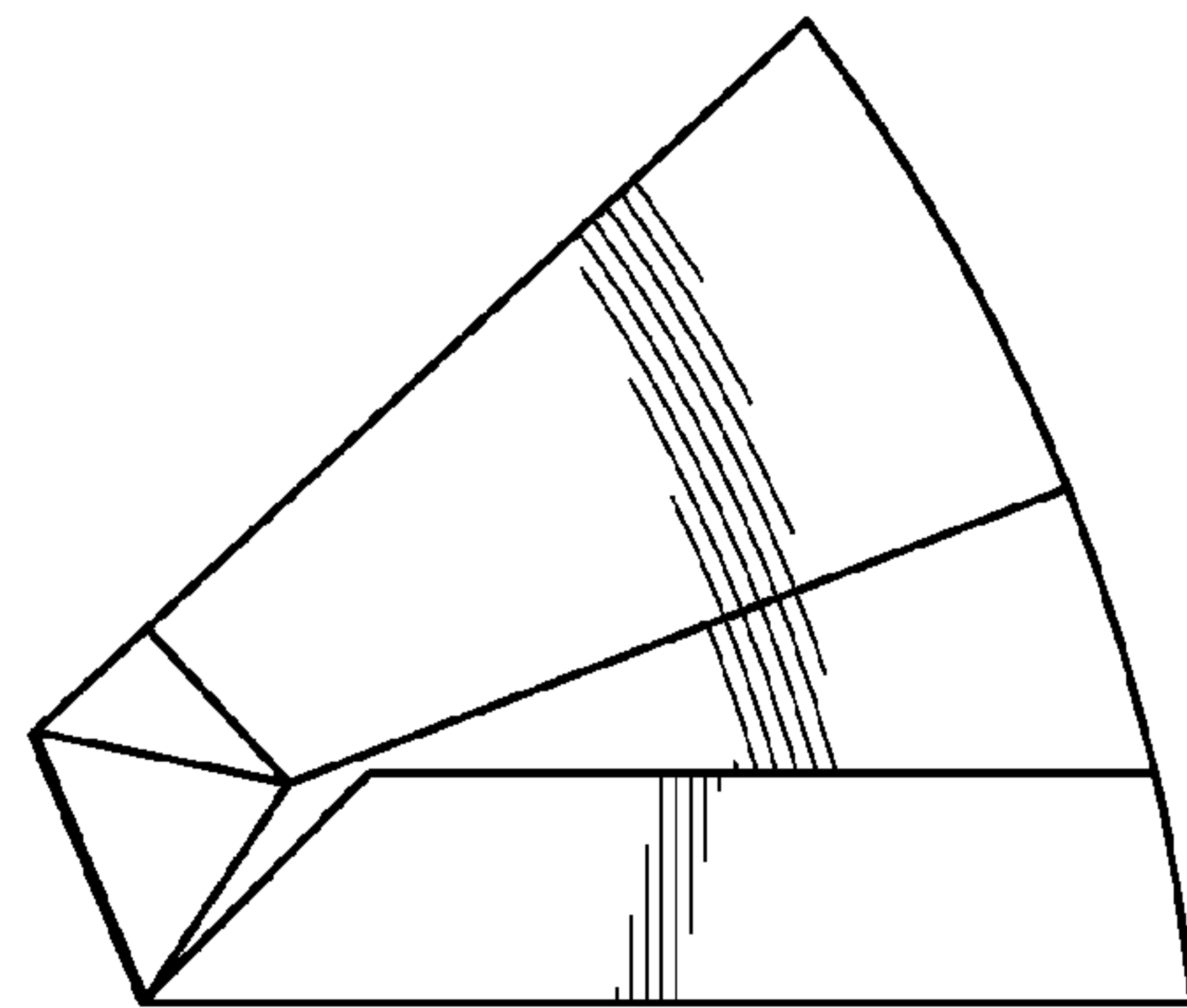
**Fig. 19**



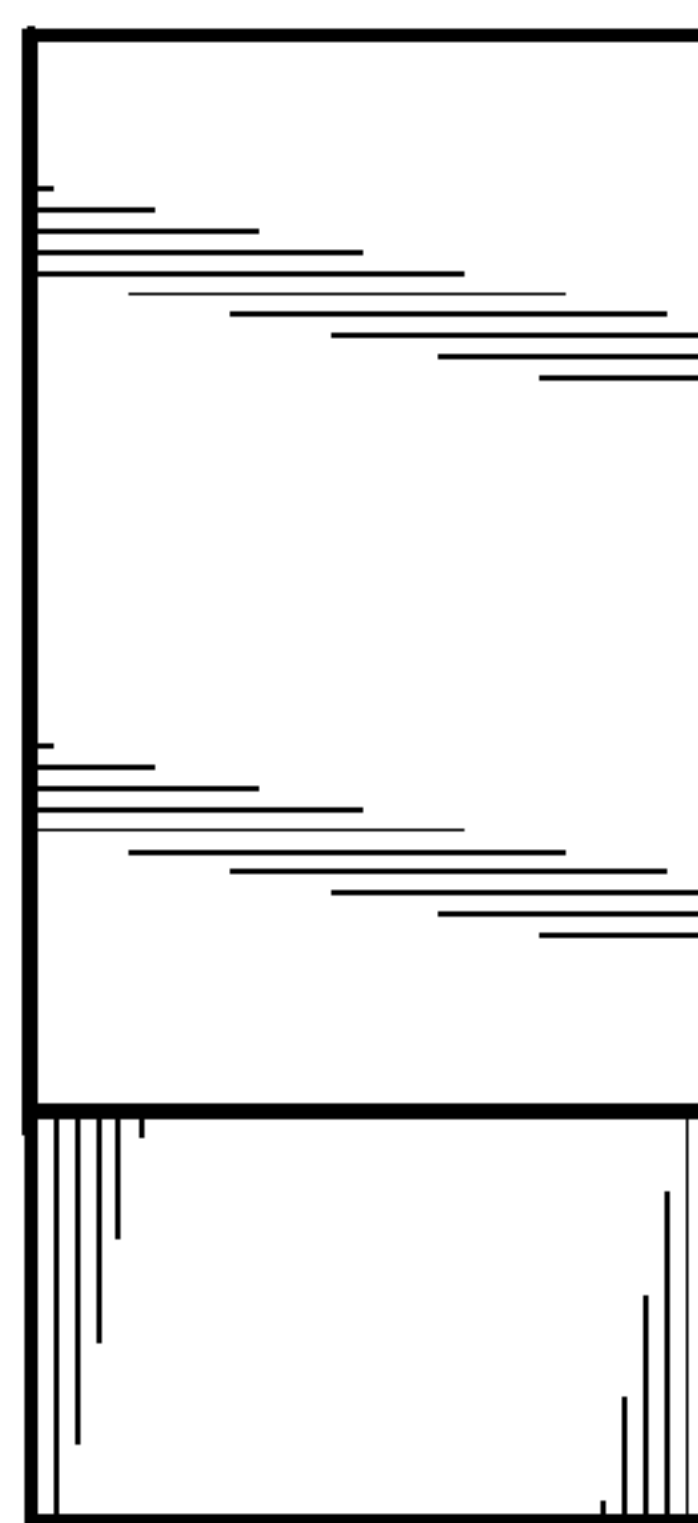
**Fig. 17**



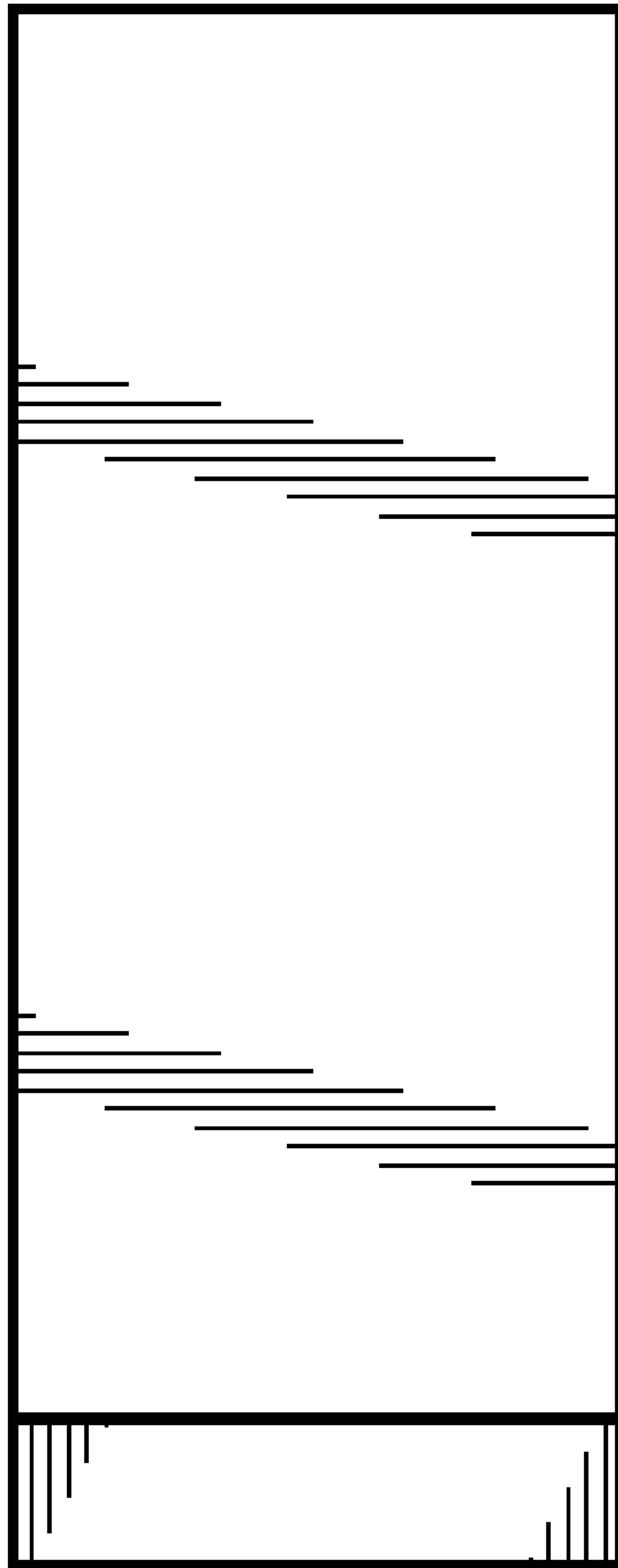
**Fig. 16**



**Fig. 18**



**Fig. 20**



***Fig. 21***

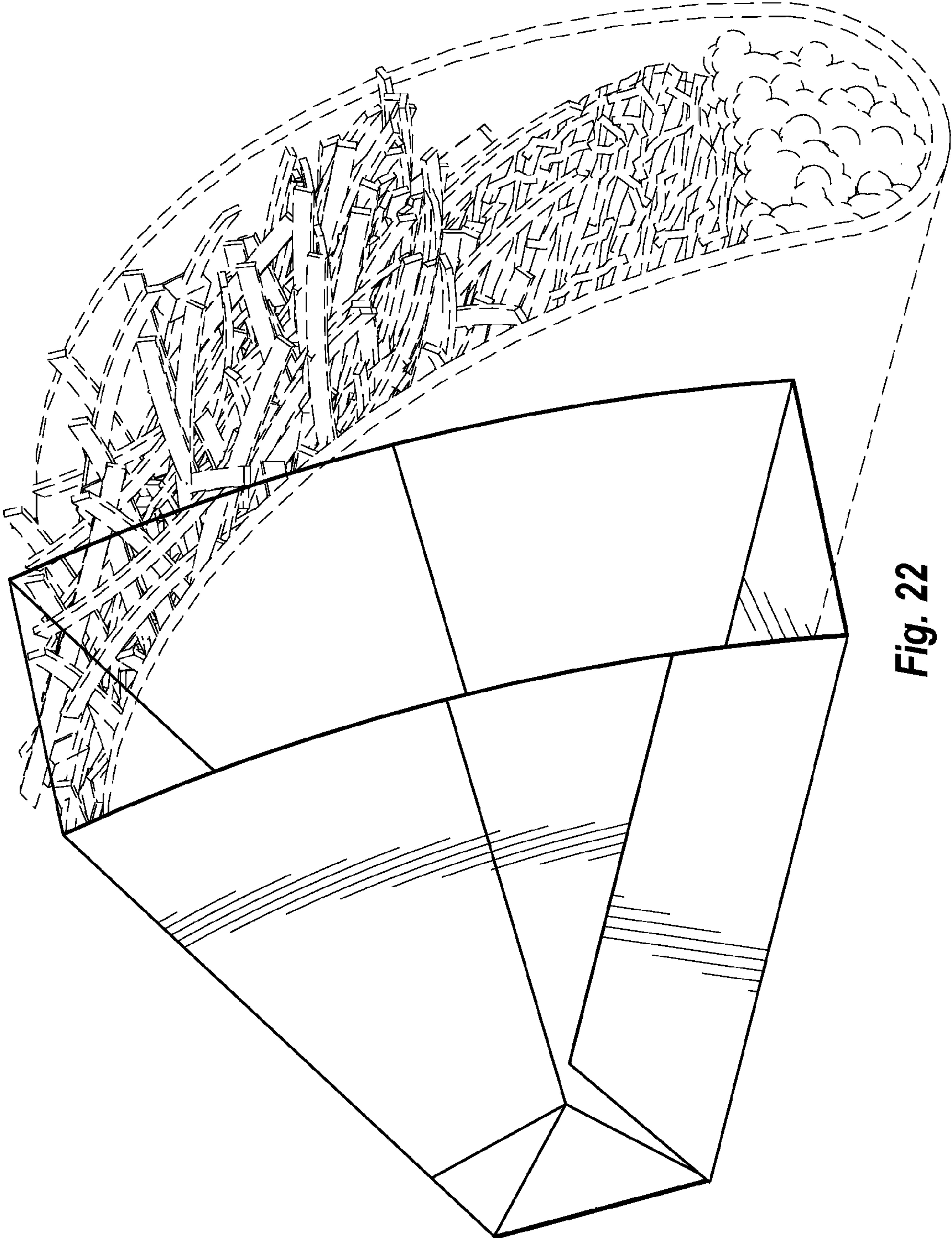


Fig. 22