



US00D640499S

(12) **United States Design Patent**
King et al.

(10) **Patent No.:** **US D640,499 S**
(45) **Date of Patent:** **** Jun. 28, 2011**

(54) **PIZZA OVENS**

(75) Inventors: **Courtney A King**, Ypsilanti, MI (US);
David Allen, Manchester, MI (US)

(73) Assignee: **Bird Brain, Inc.**, Ypsilanti, MI (US)

(**) Term: **14 Years**

(21) Appl. No.: **29/360,913**

(22) Filed: **May 3, 2010**

(51) **LOC (9) Cl.** **07-02**

(52) **U.S. Cl.** **D7/348**

(58) **Field of Classification Search** D7/339–349;
D25/13, 19; 126/19 R, 273.5, 273 R; 219/440–441
See application file for complete search history.

(56) **References Cited**

U.S. PATENT DOCUMENTS

D344,871 S *	3/1994	Keller	D7/348
5,315,922 A *	5/1994	Keller	99/447
D367,203 S *	2/1996	Sprouls	D7/348
D483,603 S *	12/2003	Minidis	D7/348
D547,111 S *	7/2007	Loyd	D7/348

* cited by examiner

Primary Examiner — Catherine R Oliver

(74) *Attorney, Agent, or Firm* — Dickinson Wright

(57) **CLAIM**

The ornamental design for a pizza oven, as shown and described.

DESCRIPTION

FIG. 1 is a perspective view of a pizza oven according to a first embodiment of the present invention, taken from the front thereof, and depicting in broken lines a closure for the pizza oven's main opening;

FIG. 2 is a perspective view of a pizza oven according to the first embodiment of the present invention, taken from the front thereof, and depicting the design of the pizza oven's main opening without the closure;

FIG. 3 is a front elevational view of the pizza oven of the embodiment of FIGS. 1 and 2;

FIG. 4 is a side elevational view of the pizza oven of the embodiment of FIGS. 1 and 2, the opposite side elevational view being identical thereto;

FIG. 5 is a rear elevational view of the pizza oven of the embodiment of FIGS. 1 and 2;

FIG. 6 is a top-plan view of the pizza oven of the embodiment of FIGS. 1 and 2;

FIG. 7 is a bottom-plan view of the pizza oven of the embodiment of FIGS. 1 and 2;

FIG. 8 is a perspective view of a pizza oven according to a second embodiment the present invention, taken from the front thereof, and depicting in broken lines a closure for the pizza oven's main opening;

FIG. 9 is a perspective view of a pizza oven according to the second embodiment of the present invention, taken from the front thereof, and depicting the design of the pizza oven's main opening without the closure;

FIG. 10 is a front elevational view of the pizza oven of the embodiment of FIGS. 8 and 9;

FIG. 11 is a side elevational view of the pizza oven of the embodiment of FIGS. 8 and 9, the opposite side elevational view being identical thereto;

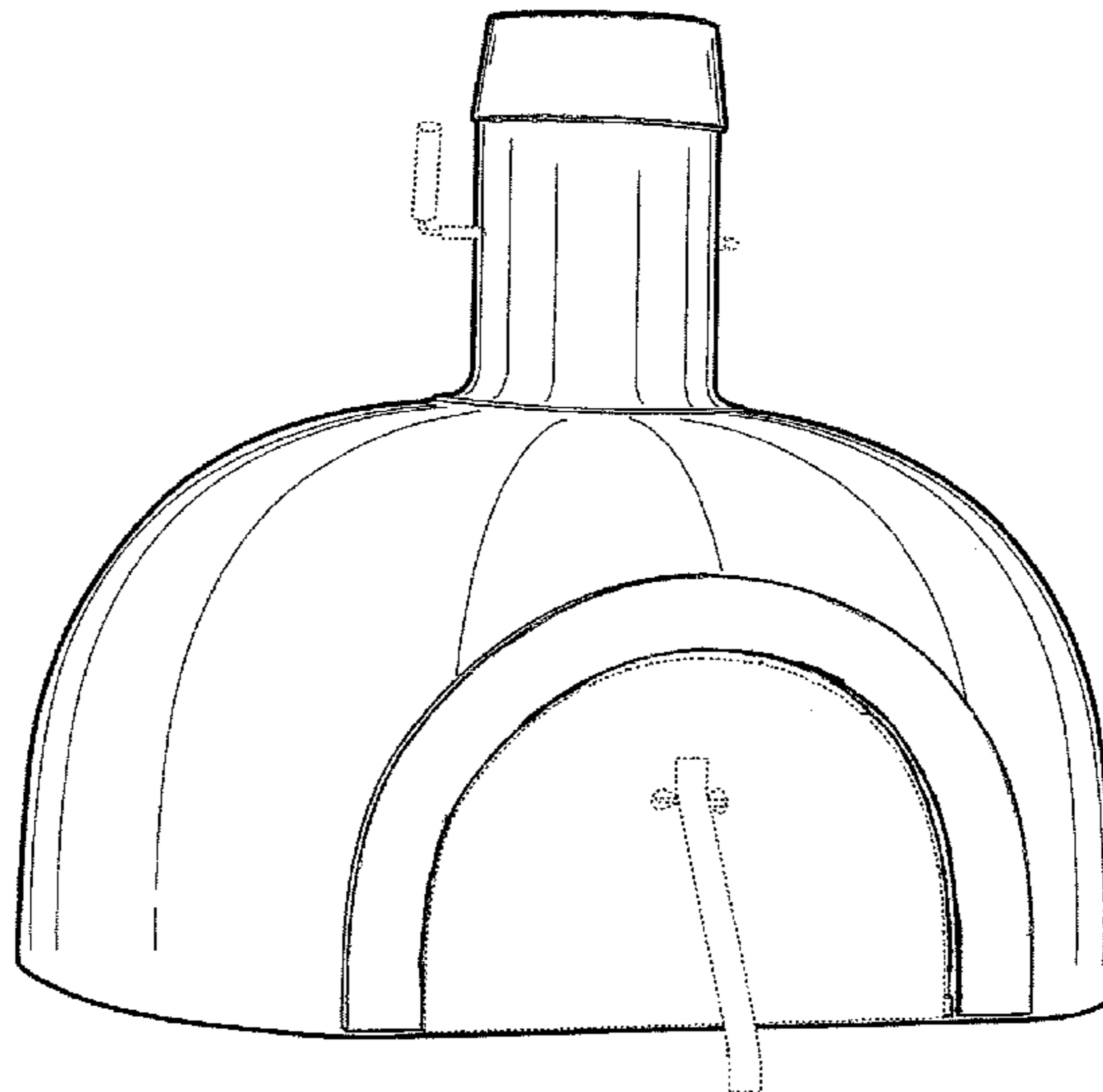
FIG. 12 is a rear elevational view of the pizza oven of the embodiment of FIGS. 8 and 9;

FIG. 13 is a top-plan view of the pizza oven of the embodiment of FIGS. 8 and 9; and,

FIG. 14 is a bottom-plan view of the pizza oven of the embodiment of FIGS. 8 and 9.

The broken line structures shown in the drawings, depicting a closure for the pizza ovens' main openings and a flue component, form no part of the claimed designs.

1 Claim, 8 Drawing Sheets



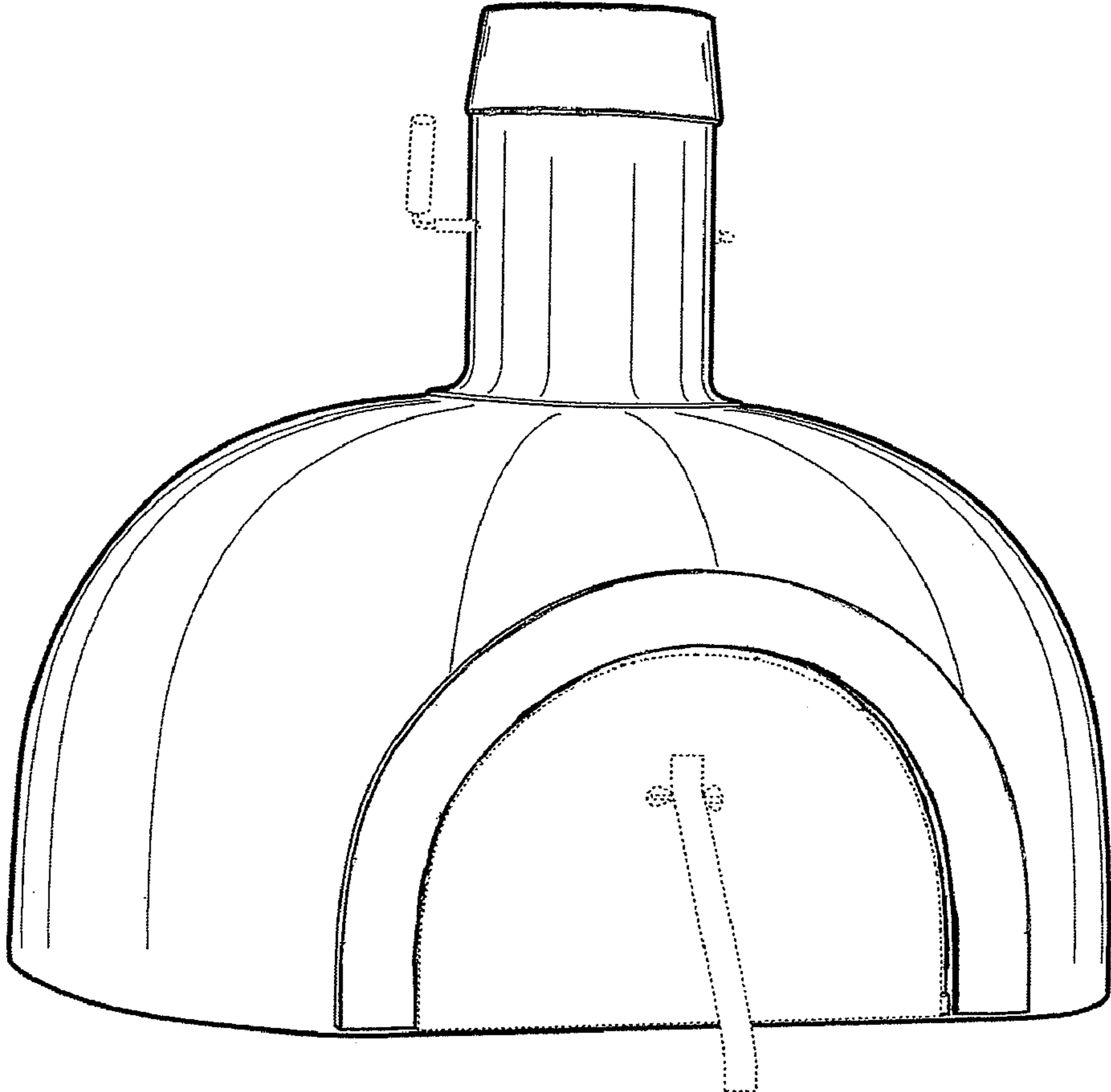


FIG. 1

FIG. 2

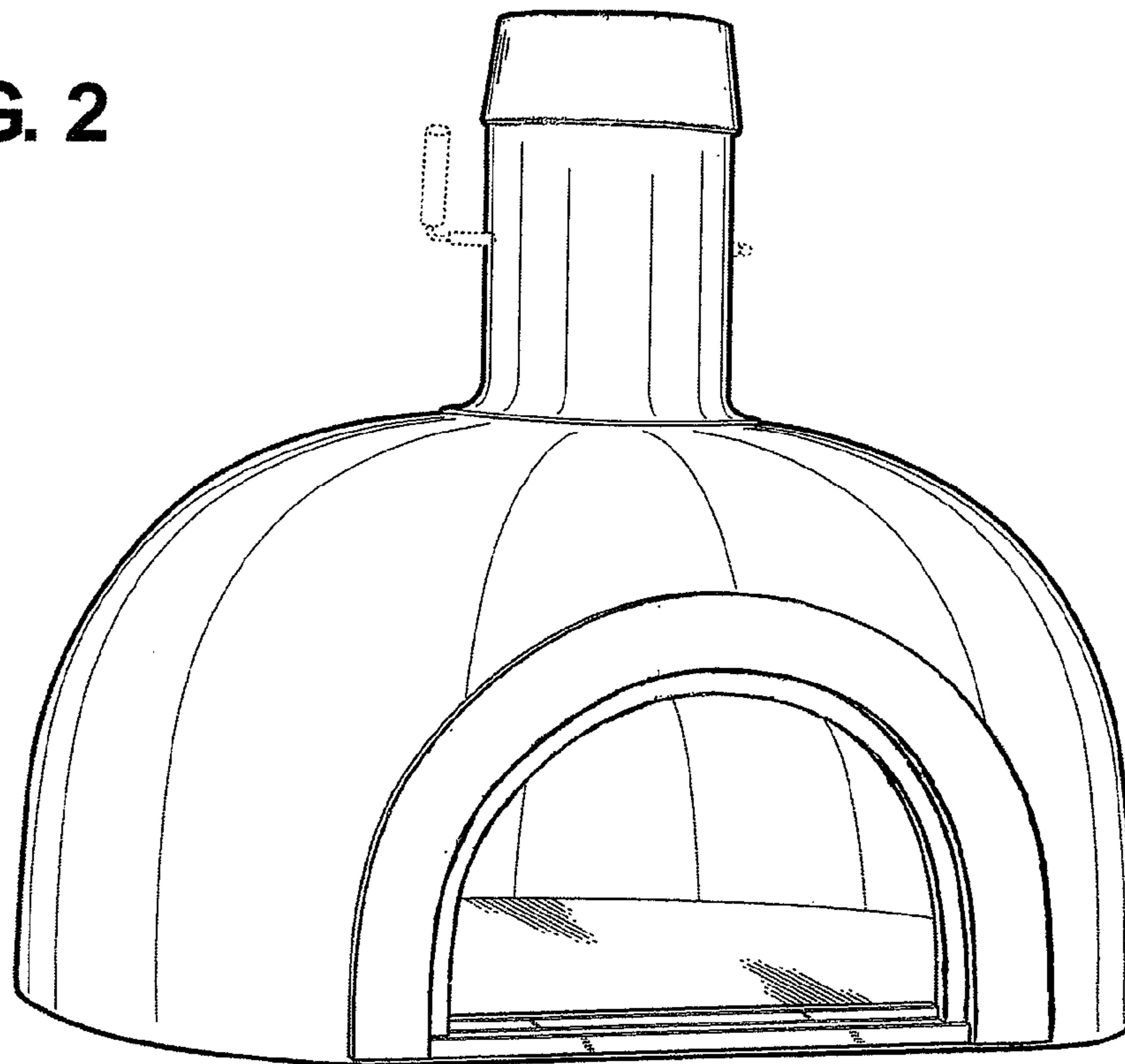


FIG. 3

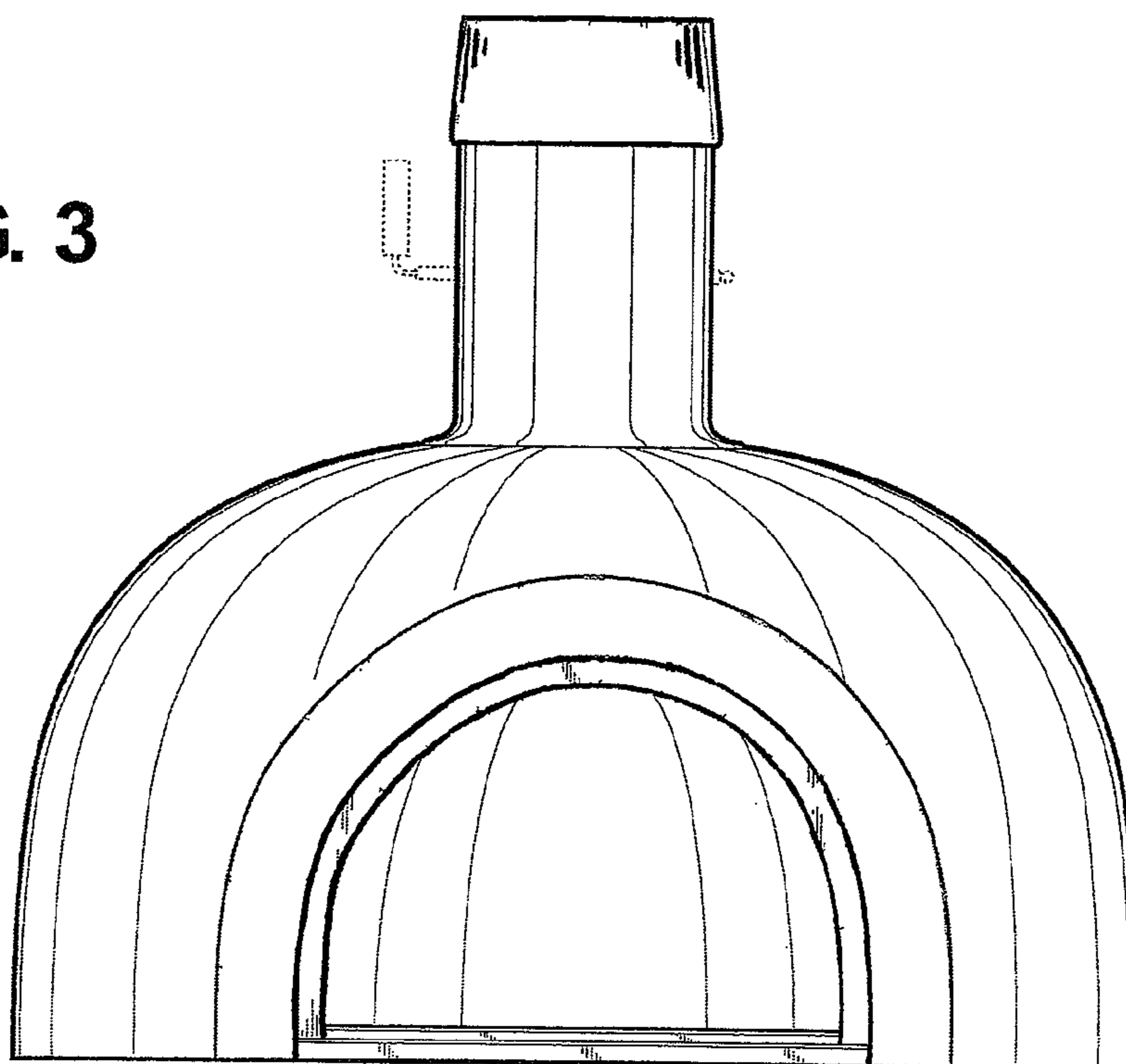


FIG. 4

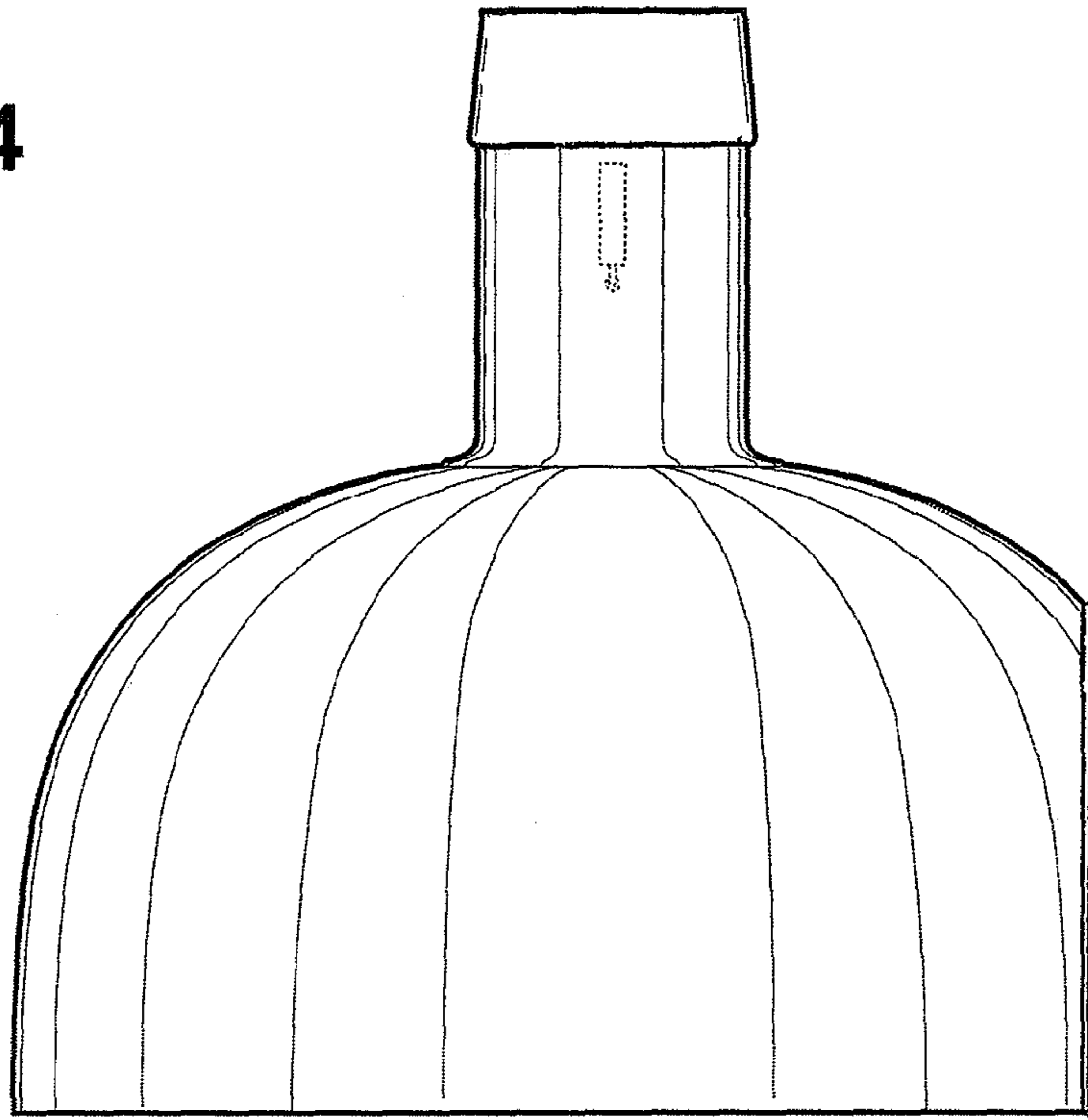


FIG. 5

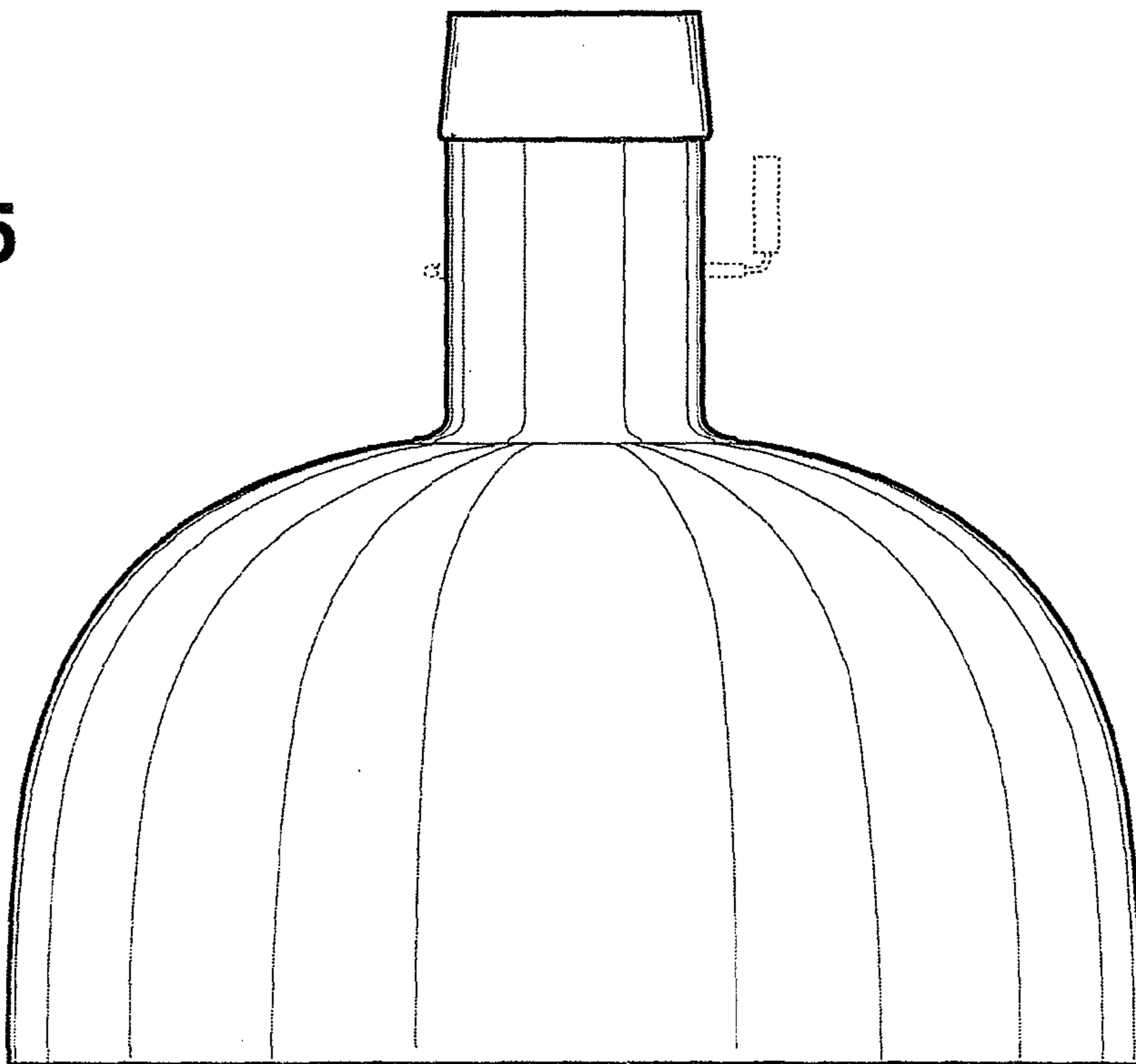


FIG. 6

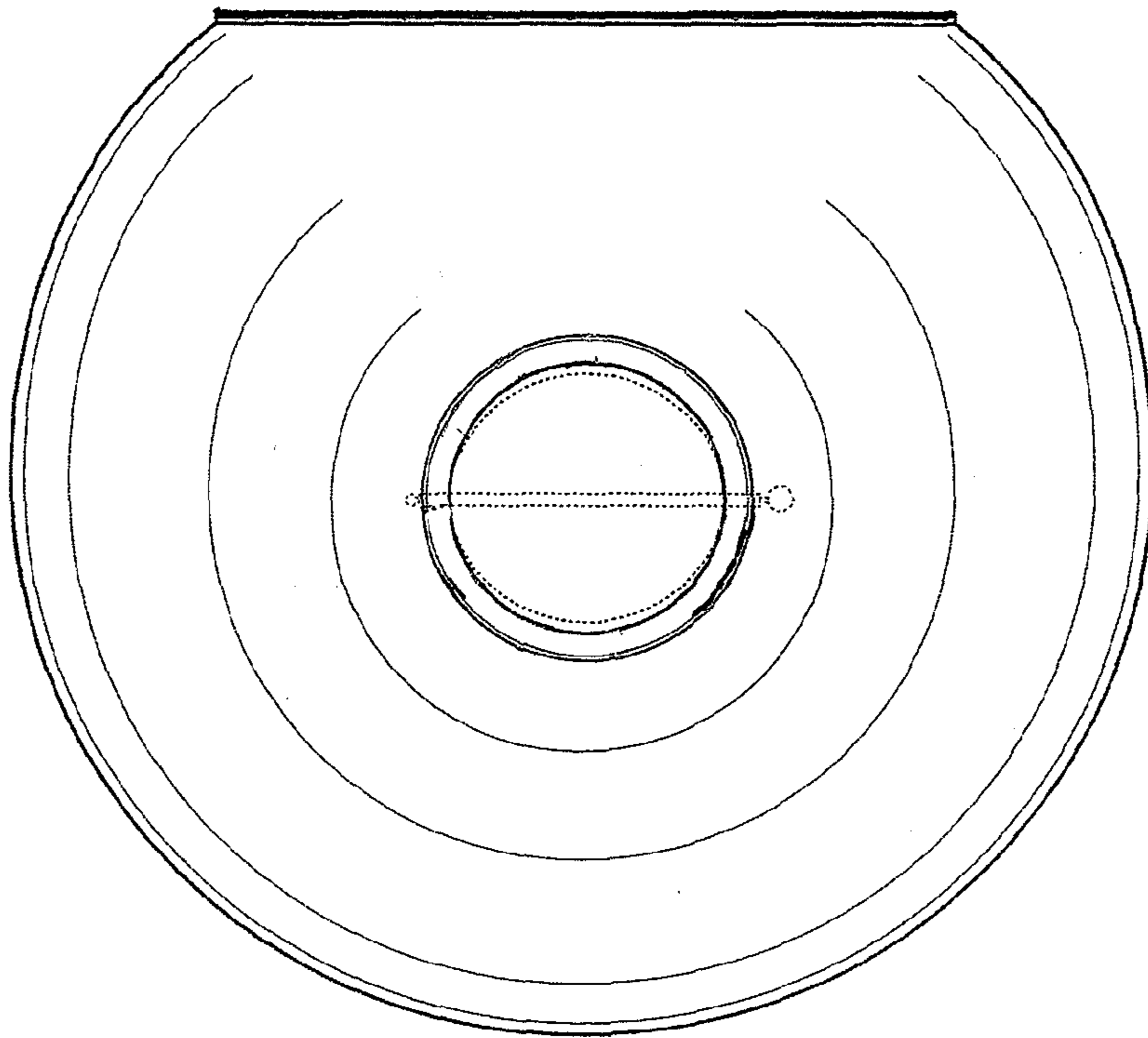
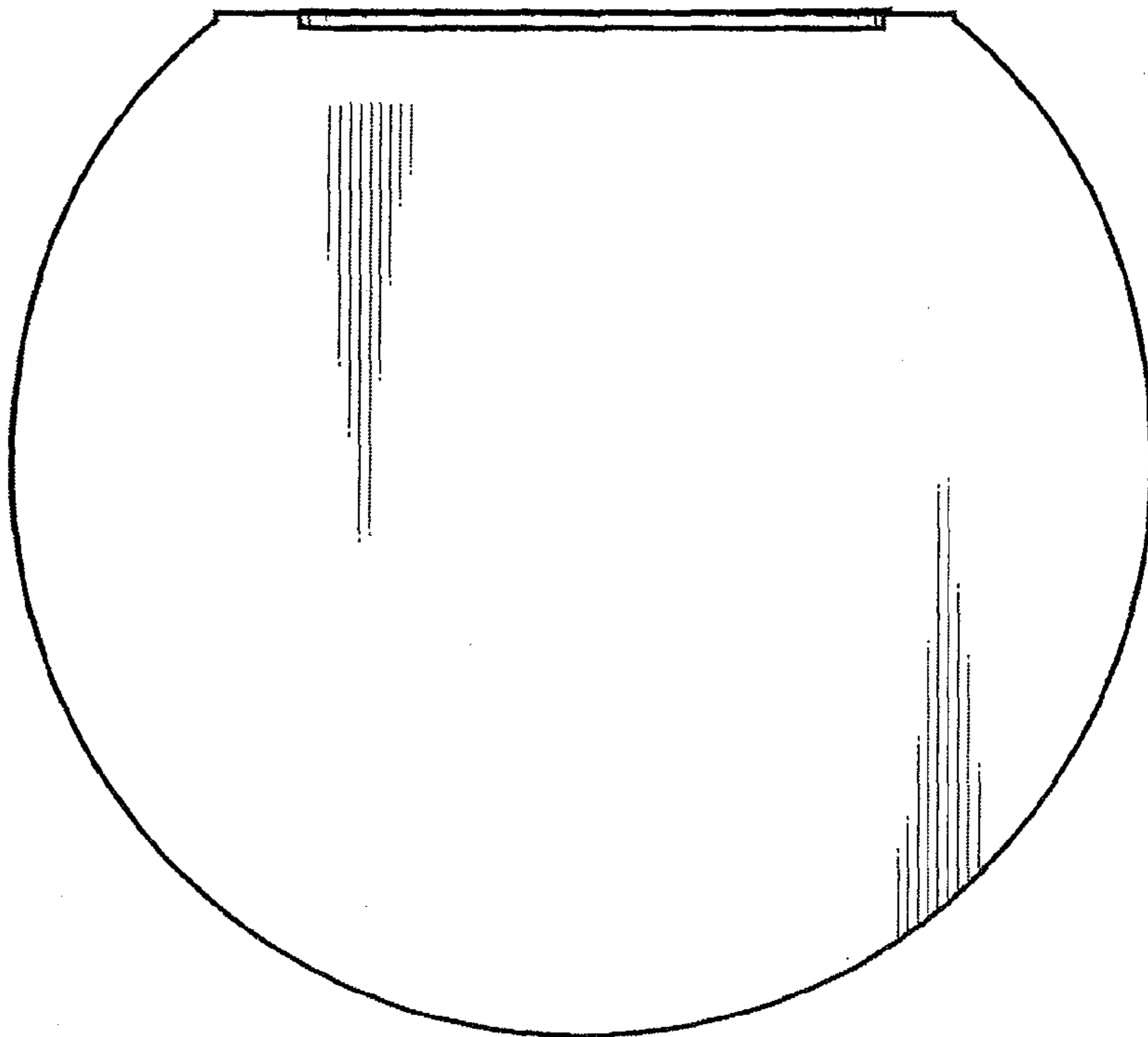


FIG. 7



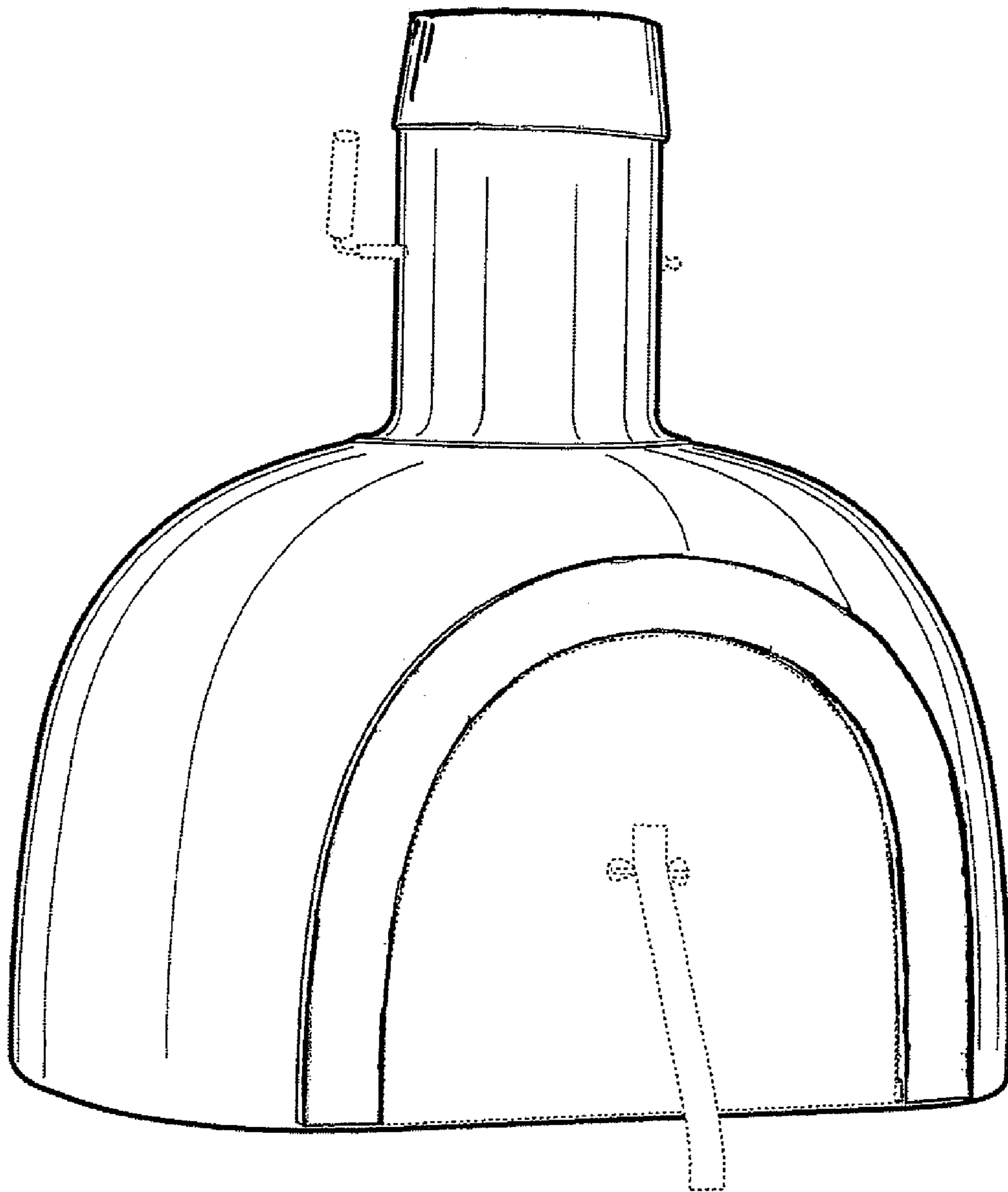


FIG. 8

FIG. 9

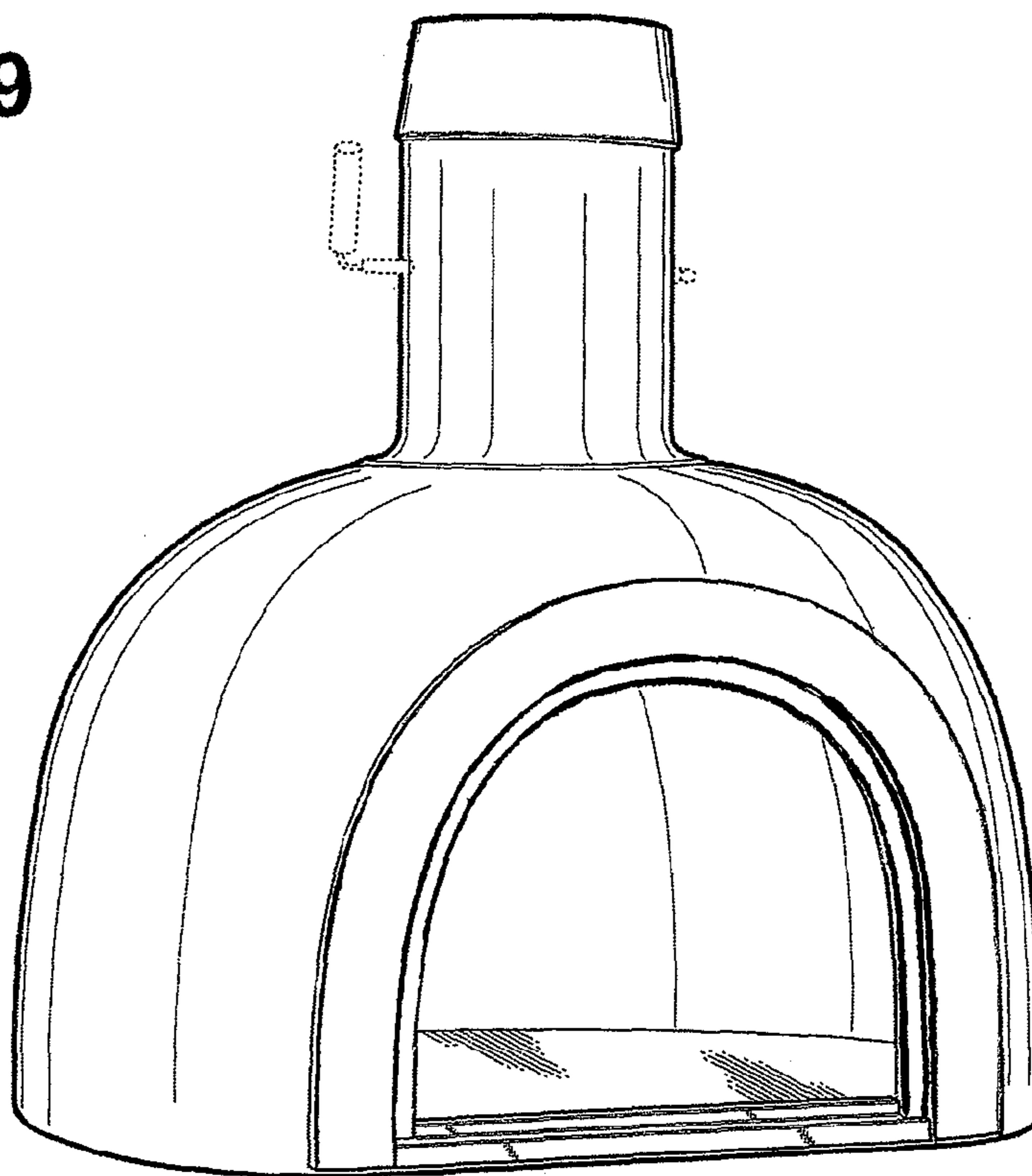


FIG. 10



FIG. 11



FIG. 12

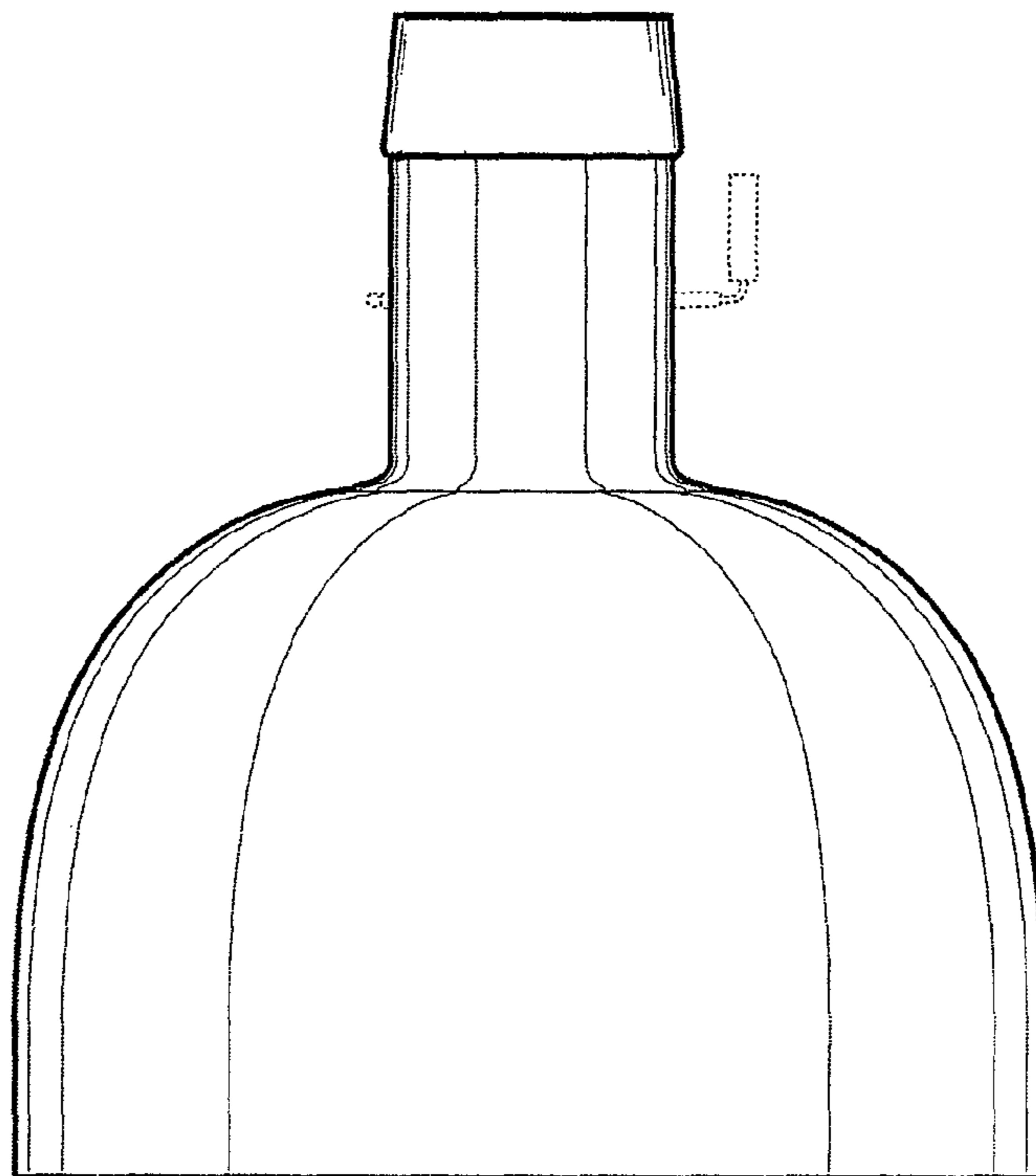


FIG. 13

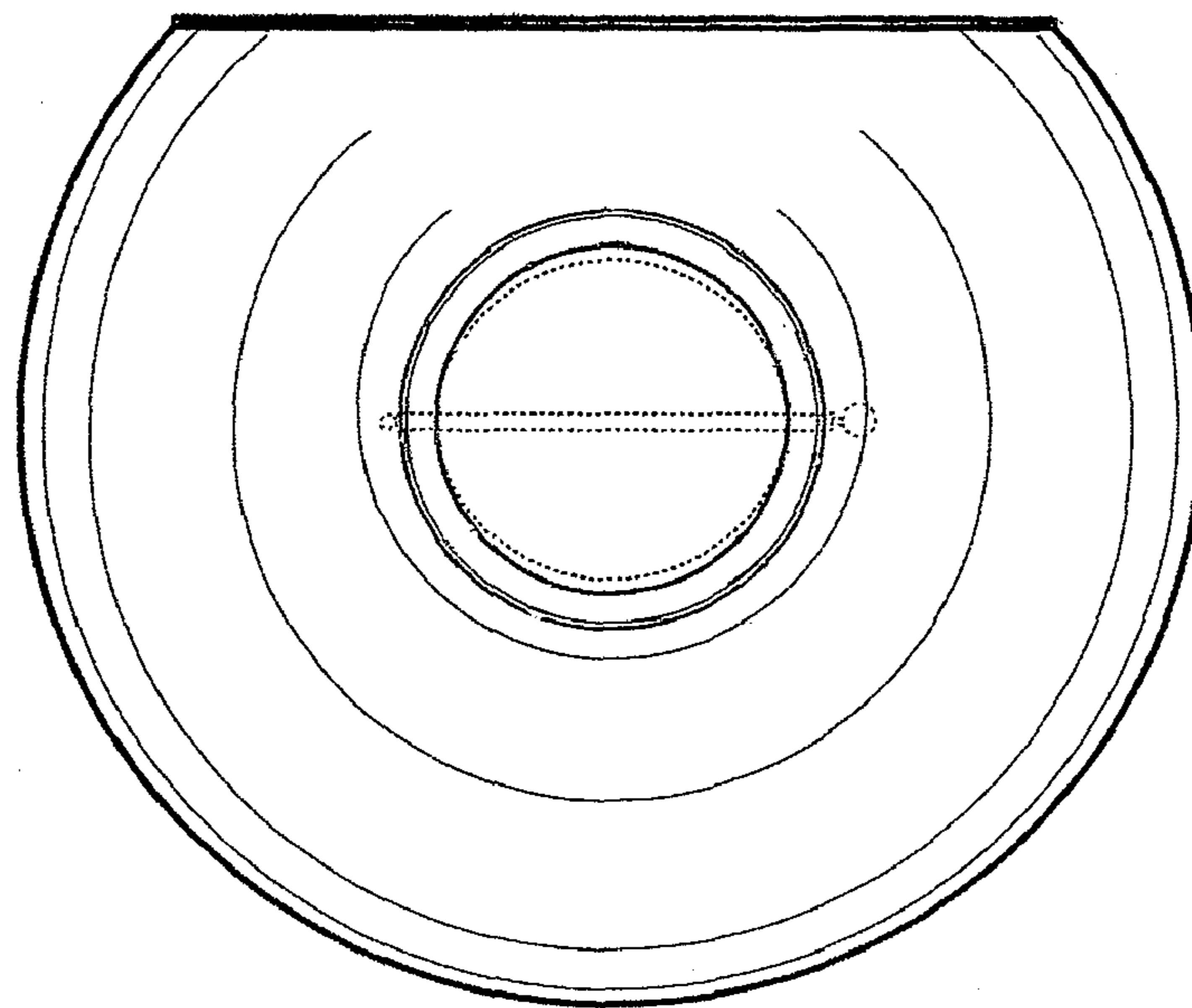


FIG. 14

