

US00D640498S

(12) **United States Design Patent**  
**Sadtler**

(10) **Patent No.:** **US D640,498 S**

(45) **Date of Patent:** **\*\* Jun. 28, 2011**

(54) **COOKTOP**

(75) Inventor: **Graham Sadtler**, New Bern, NC (US)

(73) Assignee: **BSH Home Appliances Corporation**,  
Huntington Beach, CA (US)

(\*\*) Term: **14 Years**

(21) Appl. No.: **29/341,070**

(22) Filed: **Jul. 30, 2009**

(51) **LOC (9) Cl.** ..... **07-02**

(52) **U.S. Cl.** ..... **D7/346**

(58) **Field of Classification Search** ..... D7/323,  
D7/340-348, 404-409; 126/39 B, 211, 217-218,  
126/214 C, 214 R, 215-216, 152 R; 219/460.1,  
219/506

See application file for complete search history.

(56) **References Cited**

U.S. PATENT DOCUMENTS

D396,989 S *	8/1998	Deo et al.	.....	D7/346
D450,527 S *	11/2001	Busalt	.....	D7/346
D451,332 S *	12/2001	Busalt	.....	D7/346
D462,866 S *	9/2002	Resuello et al.	.....	D7/346
D464,845 S *	10/2002	Shin	.....	D7/346
D553,899 S *	10/2007	Grey et al.	.....	D7/346
D553,900 S *	10/2007	Grey et al.	.....	D7/346

D557,549 S *	12/2007	Grey et al.	.....	D7/346
D560,957 S *	2/2008	Grey et al.	.....	D7/346
D563,715 S *	3/2008	Grey et al.	.....	D7/346
D563,716 S *	3/2008	Grey et al.	.....	D7/346
D568,673 S *	5/2008	Tanaka	.....	D7/346
D605,457 S *	12/2009	Busalt et al.	.....	D7/346
D605,458 S *	12/2009	Busalt et al.	.....	D7/346
D606,357 S *	12/2009	Busalt et al.	.....	D7/346
D606,358 S *	12/2009	Busalt et al.	.....	D7/346
D606,796 S *	12/2009	Busalt et al.	.....	D7/346

\* cited by examiner

*Primary Examiner* — Catherine R Oliver

(74) *Attorney, Agent, or Firm* — James E. Howard; Andre Pallapies

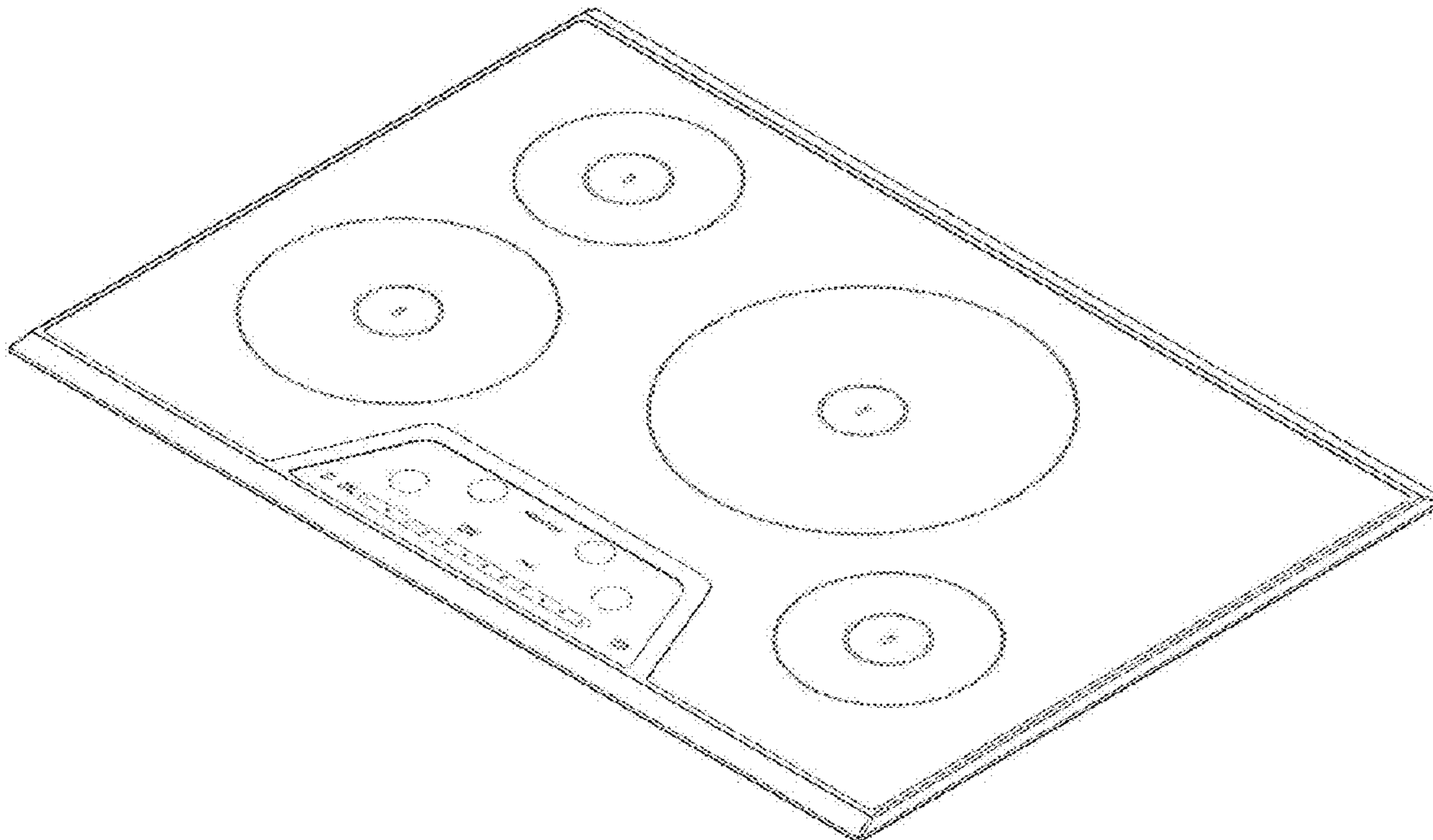
(57) **CLAIM**

The ornamental design for a cooktop, as shown and described.

**DESCRIPTION**

FIG. 1 is a perspective view of a cooktop showing my ornamental design;  
FIG. 2 is a top plan view thereof;  
FIG. 3 is a left side view thereof;  
FIG. 4 is a right side view thereof;  
FIG. 5 is a front view thereof;  
FIG. 6 is a rear view thereof; and,  
FIG. 7 is a top plan view of a cooktop showing a second embodiment of my new design.

**1 Claim, 4 Drawing Sheets**



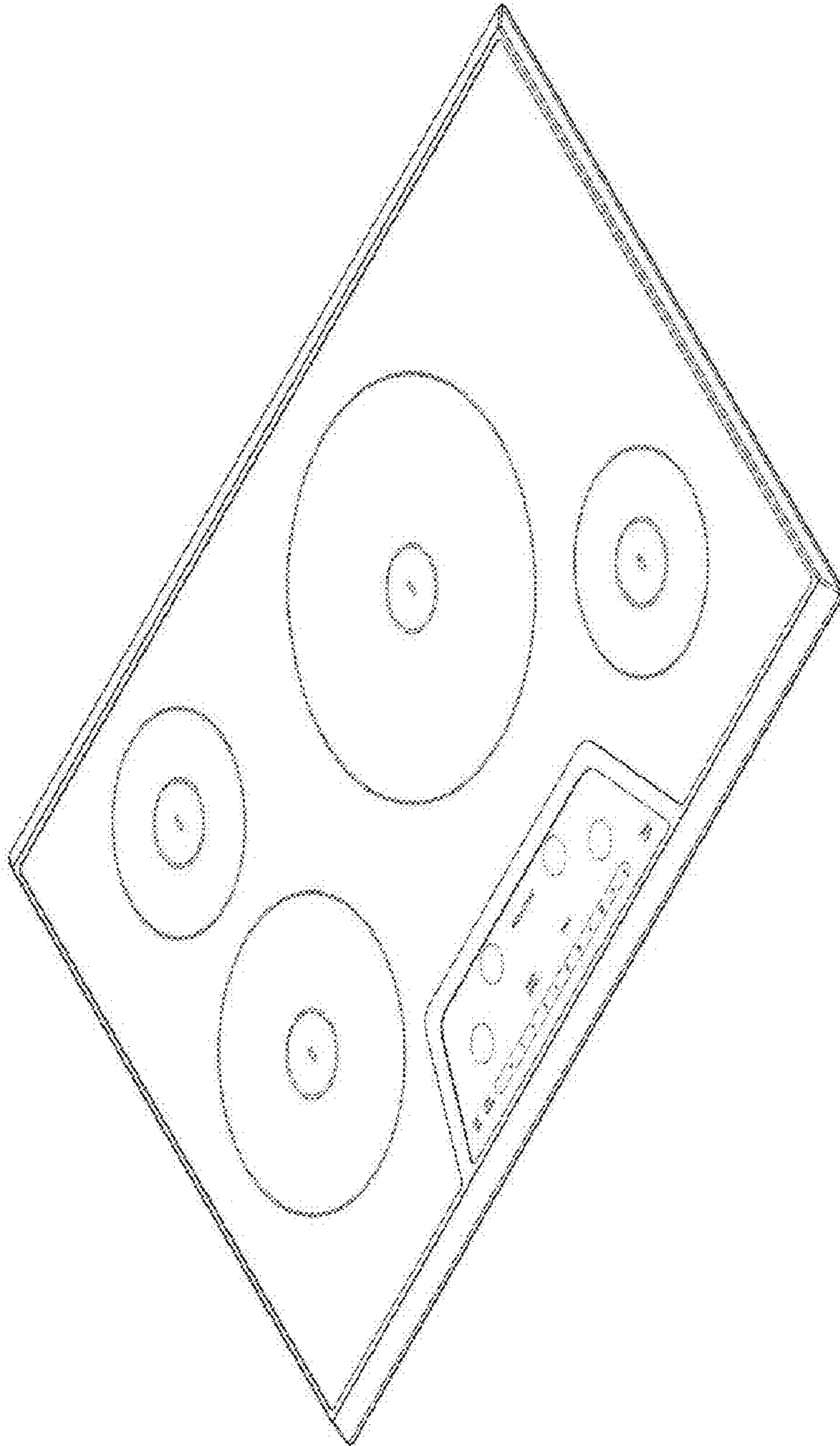


Fig. 1

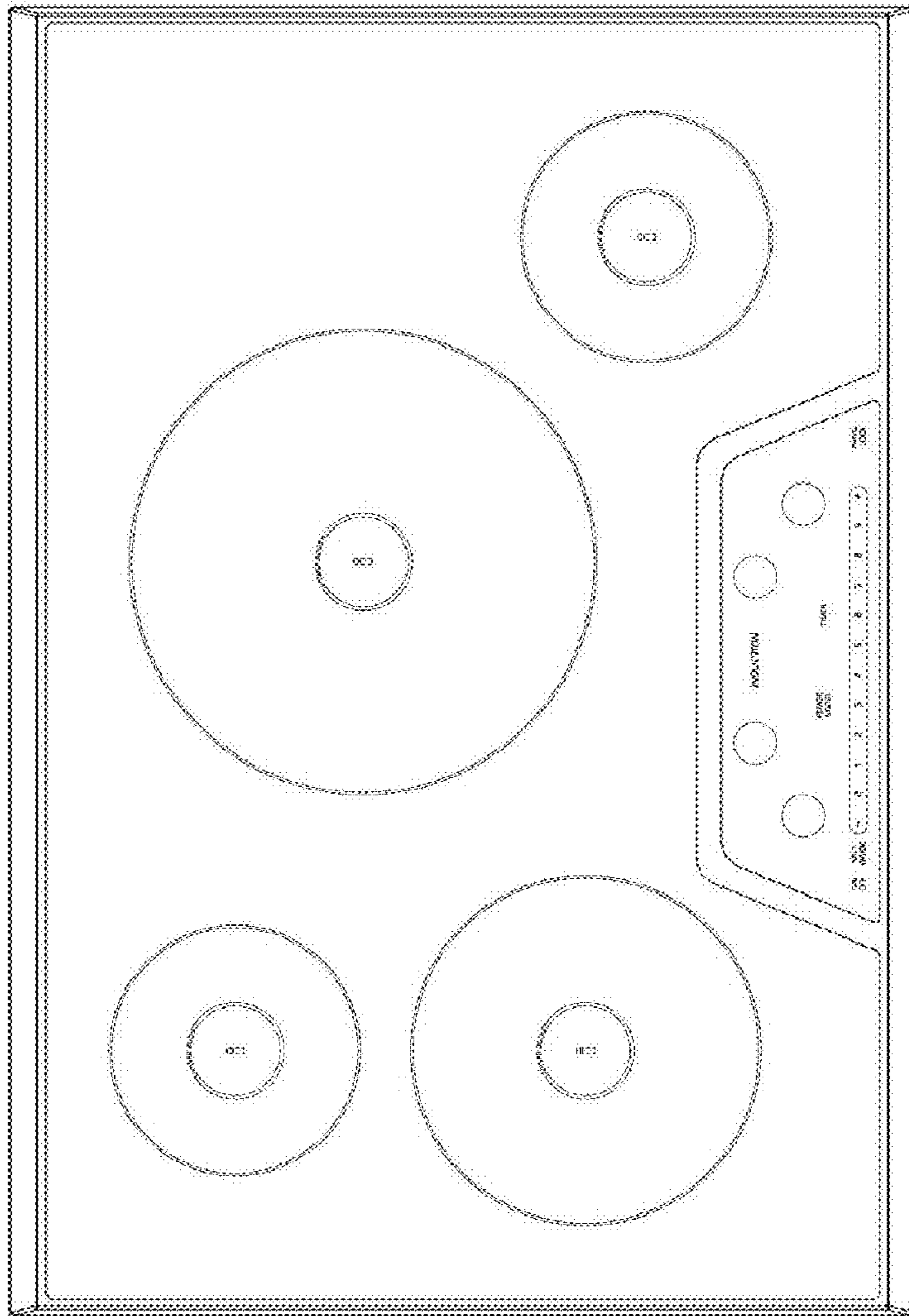


Fig. 2

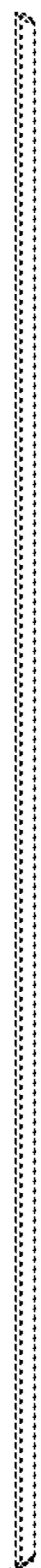


Fig. 6

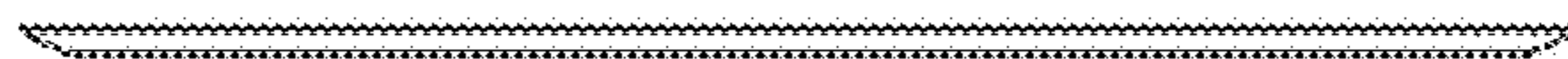


Fig. 4

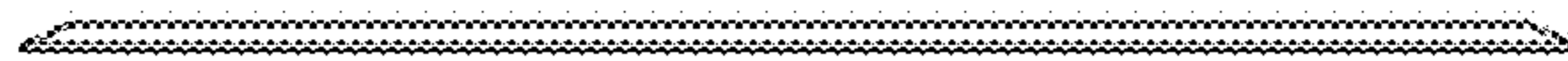


Fig. 3

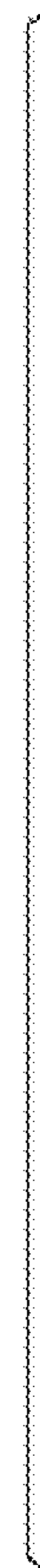


Fig. 5

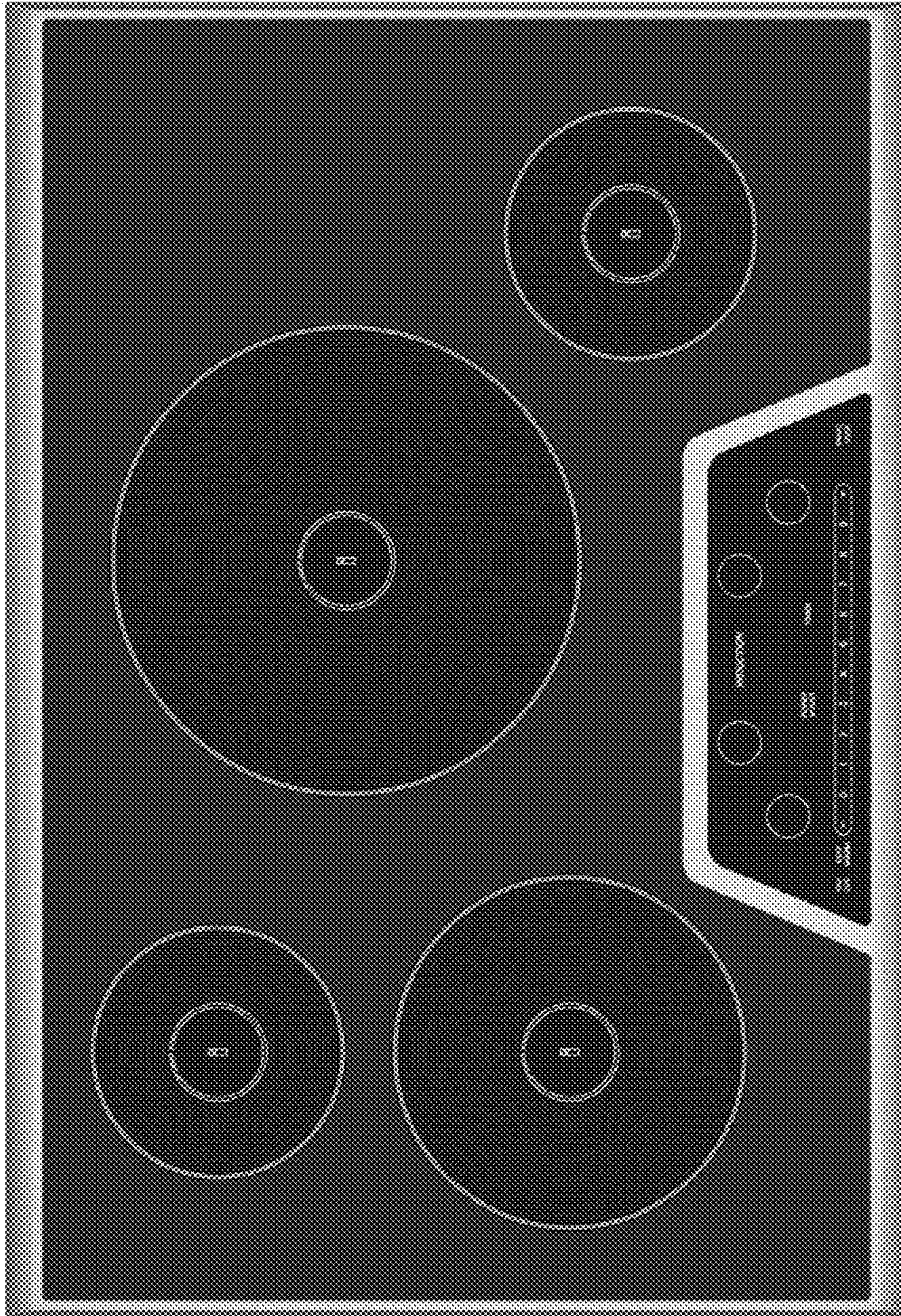


Fig. 7