



US00D640497S

(12) **United States Design Patent**  
**Lorenz et al.**

(10) **Patent No.:** **US D640,497 S**  
(45) **Date of Patent:** **\*\* \*Jun. 28, 2011**

(54) **DUAL BURNER**

(75) Inventors: **Nathan Lorenz**, Fort Collins, CO (US);  
**Jesse Walker**, Fort Collins, CO (US);  
**Eric Listenberger**, Moorestown, NJ  
(US); **Clark Mozer**, Fort Collins, CO  
(US)

(73) Assignee: **Envirofit International, Ltd.**, Fort  
Collins, CO (US)

(\*\*) Term: **14 Years**

(21) Appl. No.: **29/335,241**

(22) Filed: **Apr. 10, 2009**

(51) **LOC (9) Cl.** ..... **07-02**

(52) **U.S. Cl.** ..... **D7/337**

(58) **Field of Classification Search** ..... D7/332,  
D7/334-337, 402-404, 406-407; 126/37 R,  
126/25 R, 41 R, 41 C, 41 D, 41 E, 9 R, 44,  
126/50, 39 E, 91 A; 99/339, 340, 350, 444;  
431/354

See application file for complete search history.

(56) **References Cited**

**U.S. PATENT DOCUMENTS**

2,383,188 A	8/1945	Griswold	
D196,018 S	8/1963	Palmer	
D214,297 S	5/1969	Ihde	
D229,277 S	11/1973	Ming-Kong	
3,877,458 A	4/1975	Allander	
D235,959 S	7/1975	Allander	
D244,664 S	6/1977	Monnet	
D244,985 S	7/1977	Folke	
D249,448 S	9/1978	Vache	
D254,165 S	2/1980	Woodward	
D261,347 S	10/1981	Lutz	
4,471,751 A	9/1984	Hottenroth et al.	
4,512,328 A *	4/1985	Arad	126/37 B
5,024,208 A	6/1991	Hottenroth et al.	
5,197,454 A	3/1993	Lee	
D350,256 S	9/1994	Wang	

D355,809 S	2/1995	Kothrade
5,480,608 A	1/1996	Tsuda et al.
D371,716 S	7/1996	Jo
5,881,709 A	3/1999	Daoust
D424,364 S	5/2000	Persson
6,138,661 A	10/2000	Cooper
D435,191 S	12/2000	Cooper
D444,991 S	7/2001	Measom
D445,296 S	7/2001	Kenyon
D447,664 S	9/2001	Stephens
D478,771 S	8/2003	Wu
D488,023 S	4/2004	Siegel
D491,409 S	6/2004	Siegel
D512,264 S	12/2005	May
D612,662 S	3/2010	Lorenz et al.
2007/0034198 A1	2/2007	Arad
2008/0168979 A1	7/2008	Goehring

(Continued)

**OTHER PUBLICATIONS**

U.S. Appl. No. 29/335,240, filed Apr. 10, 2009, Lorenz et al.

(Continued)

*Primary Examiner* — Ruth McInroy

(74) *Attorney, Agent, or Firm* — Dorsey & Whitney LLP

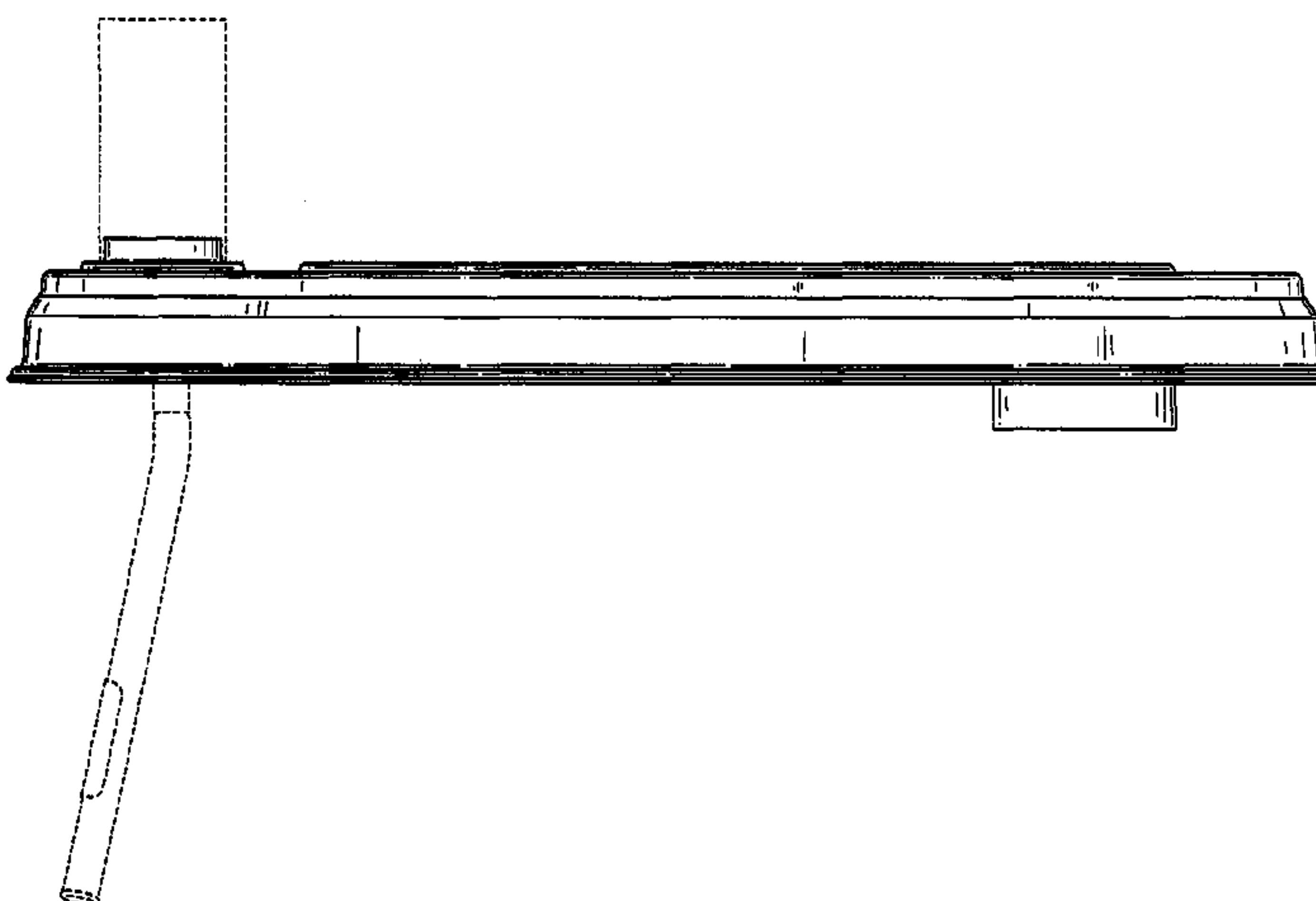
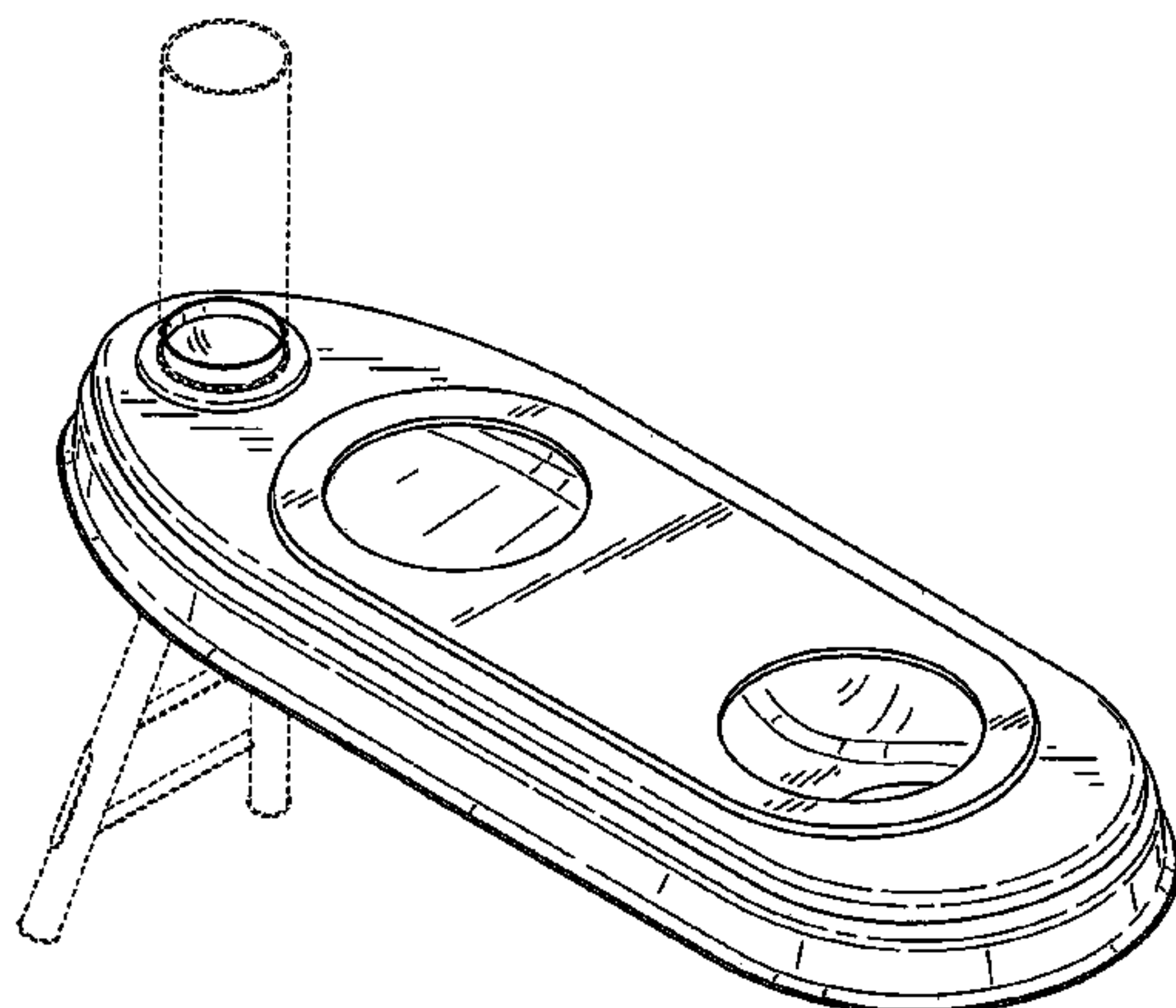
(57) **CLAIM**

The ornamental design for a dual burner, as shown and described.

**DESCRIPTION**

FIG. 1 is a front isometric view of a dual burner showing our new design;  
FIG. 2 is a front elevation view thereof;  
FIG. 3 is a rear elevation view thereof;  
FIG. 4 is a right side elevation view thereof;  
FIG. 5 is a left side elevation view thereof;  
FIG. 6 is a top plan view thereof; and,  
FIG. 7 is a bottom plan view thereof.  
The details shown in broken lines form no part of the claimed design.

**1 Claim, 6 Drawing Sheets**



U.S. PATENT DOCUMENTS

2010/0258104 A1 10/2010 Defoort et al.

OTHER PUBLICATIONS

Oorja (BP), "BioEnergy Lists: Biomass Cooking Stoves", located at <http://www.bioenergylists.org/taxonomy/term1339>, retrieved at least as early as Mar. 2009, 3 pages.

Managala Stove, Gen. I, EnviroFit International, Ltd., Nov. 2007, 1 page.

Managala Stove Double, Gen. I, EnviroFit International, Ltd., Nov. 2007, 1 page.

"EnviroFit Clean Cookstoves", Stove and Stove Double, Gen. II, Catalog, EnviroFit International, Ltd., at least as early as May 2008, 18 pages.

Still, "Larry Winiarski's Rocket Stove Principles", located at <http://www.bioenergylists.org/stovesdoc/Still/Rocket%20Stove/Principles.html>, Apr. 2002, 3 pages.

Wikipedia, "Rocket Stove", located at [http://en.wikipedia.org/wiki/Rocket\\_stove](http://en.wikipedia.org/wiki/Rocket_stove), retrieved at least as early as Mar. 11, 2009, 4 pages.

Koninklijke Philips Electronics N.V., "Philips Woodstove", located at <http://research.philips.com/newscenter/pictures/downloads/misc-sustainability>, retrieved at least as early as Mar. 12, 2009, 1 page.

Hedon Household Energy Network, Insulative Ceramics For Improved Cooking Stores by Dean Still et al., located at <http://www.hedon.info/InsulativeCeramicsForImprovedCookingStoves>, retrieved at least as early as Mar. 12, 2009, 7 pages.

Anderson, Paul S., "The Origins of the Juntos Gasifier Stoves: Short Version", Dept. of Geography-Geology, Illinois State Univ., Sep. 2002, 1 page.

Koninklijke Philips Electronics N.V., photographs of Cook Stove, obtained at least as early as Mar. 5, 2009, 5 pages.

British Petroleum p.l.c., photographs of Cook Stove, obtained at least as early as Mar. 5, 2009, 5 pages.

Reed et al., "The 'Turbo' Wood-Gas Stove", located at <http://www.bioenergylists.org/stovesdoc/Reed/Turbo2.htm>, retrieved at least as early as Mar. 10, 2009, 5 pages.

Biomass Energy Foundation, "Woodgas", located at <http://www.woodgas.com>, retrieved at least as early as Mar. 10, 2009, 4 pages.

Spautz et al., "Spreading innovative biomass stove technologies through China and beyond", located at <http://www.hedon.info/docs/BP52-3-spautz.pdf>, retrieved at least as early as Mar. 2009, pp. 6-8.

Suvarnakuta et al., "Biomass Cooking Stove for Sustainable Energy and Environment", The 2<sup>nd</sup> Joint International Conference on "Sustainable Energy and Environment (SEE 2006)", located at <http://www.jgsee.kmutt.ac.th/see1/cd/file/C-014.pdf>, Nov. 21-23, 2006, 5 pages.

MacCarty et al., "Laboratory Comparison of the Global-Warming Potential of Six Categories of Biomass Cooking Stoves", located at [http://www.aprovecho.org/web-content/publications/assets/Global\\_warming\\_full\\_9-6-07.pdf](http://www.aprovecho.org/web-content/publications/assets/Global_warming_full_9-6-07.pdf), Sep. 2007, 26 pages.

Notice of Allowance and Fee(s) Due, Notice of Allowability For A Design Application, and PTO-892, U.S. Appl. No. 29/335,240, filed Nov. 23, 2009, 7 pages.

U.S. Appl. No. 12/756,386, filed Apr. 8, 2010, DeFoort et al.

\* cited by examiner

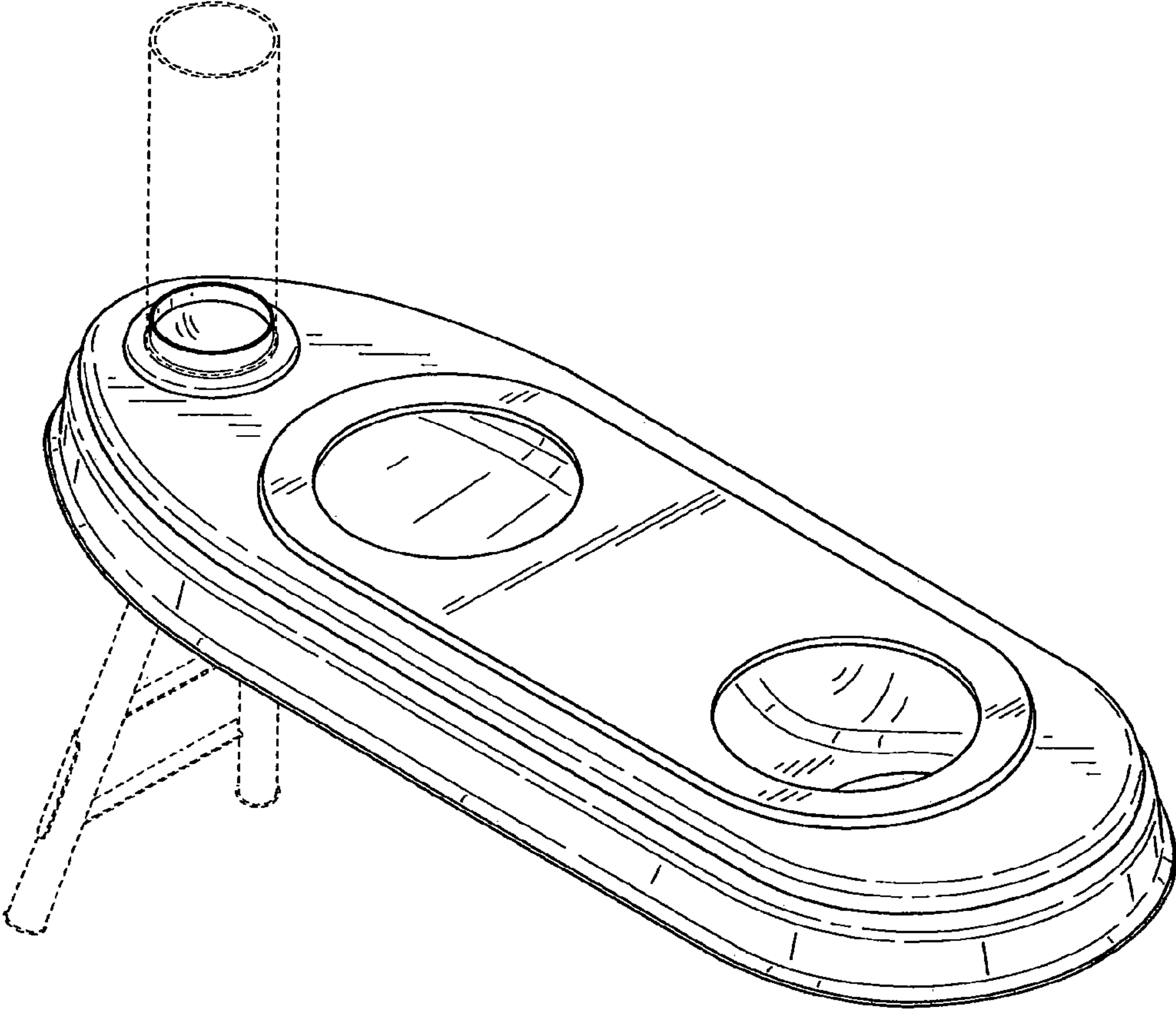


FIG.1

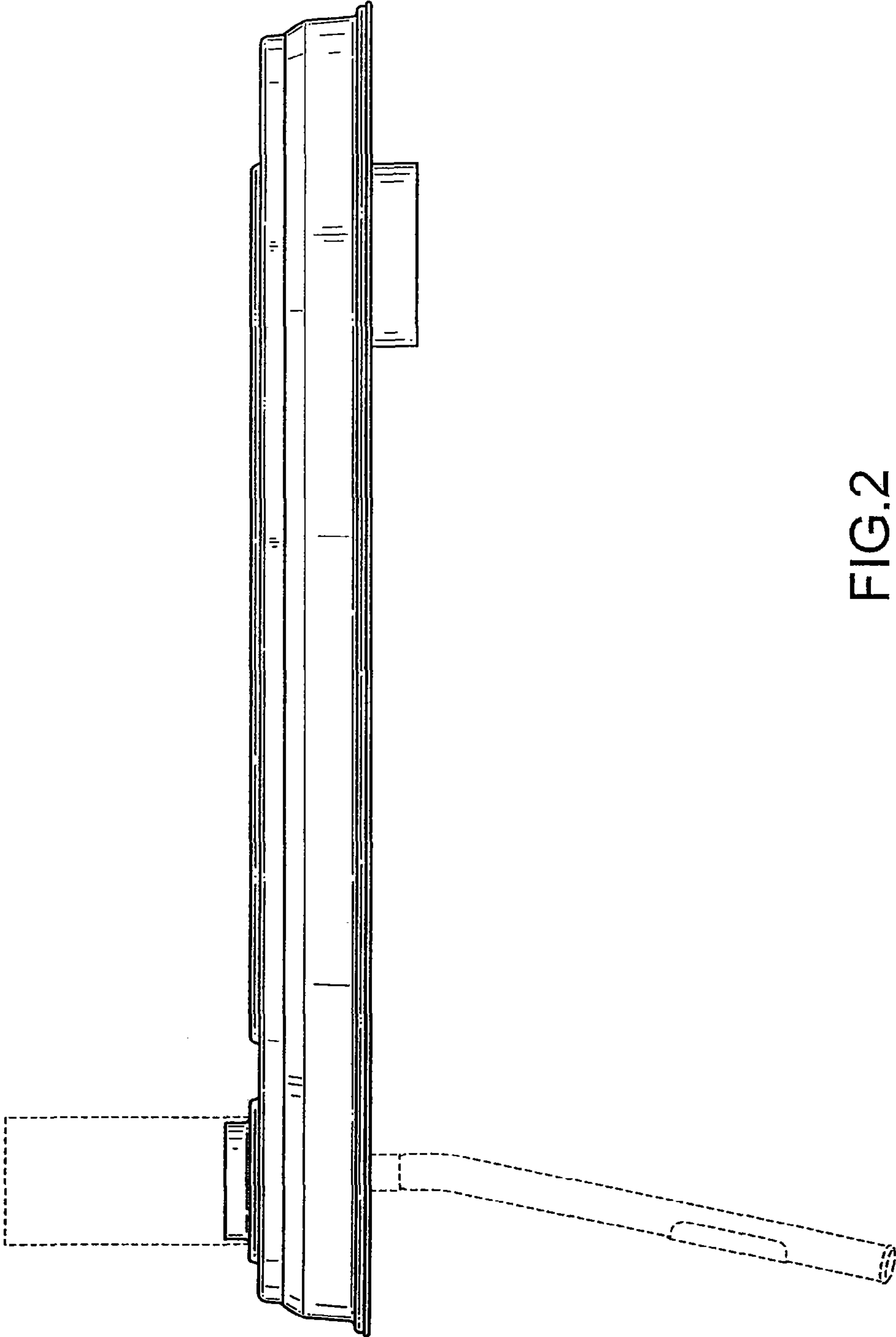


FIG.2



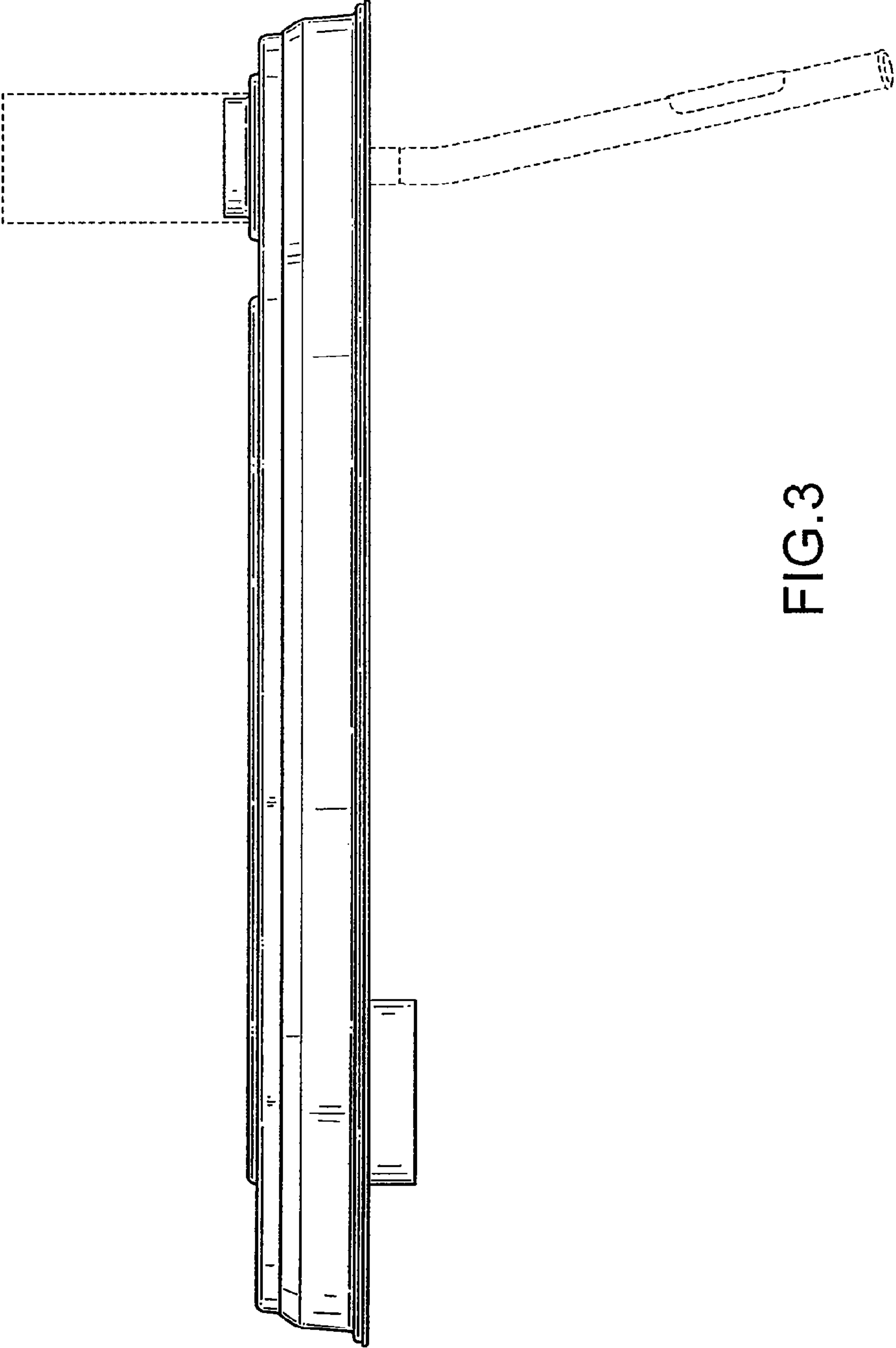


FIG.3

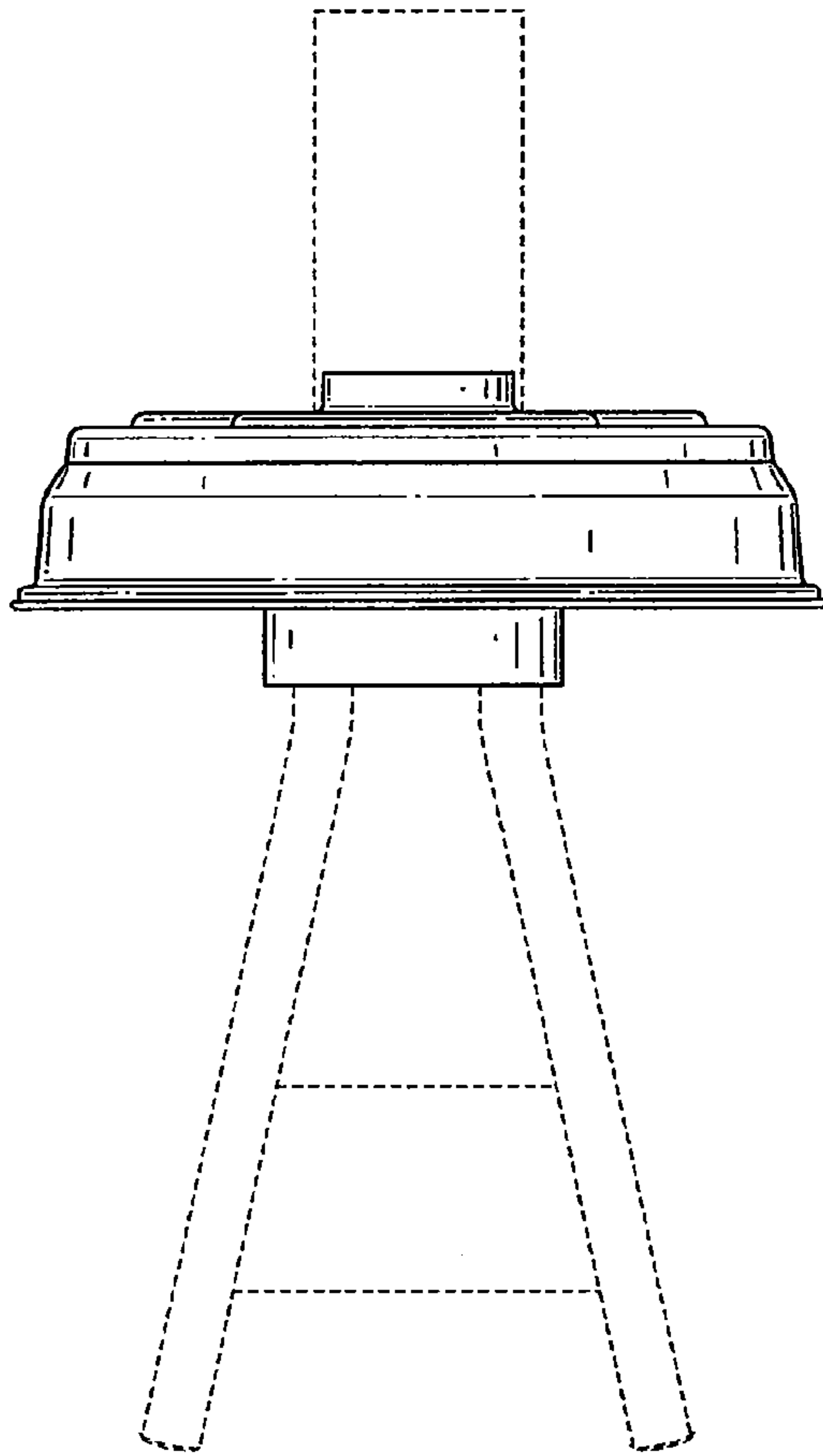


FIG. 4

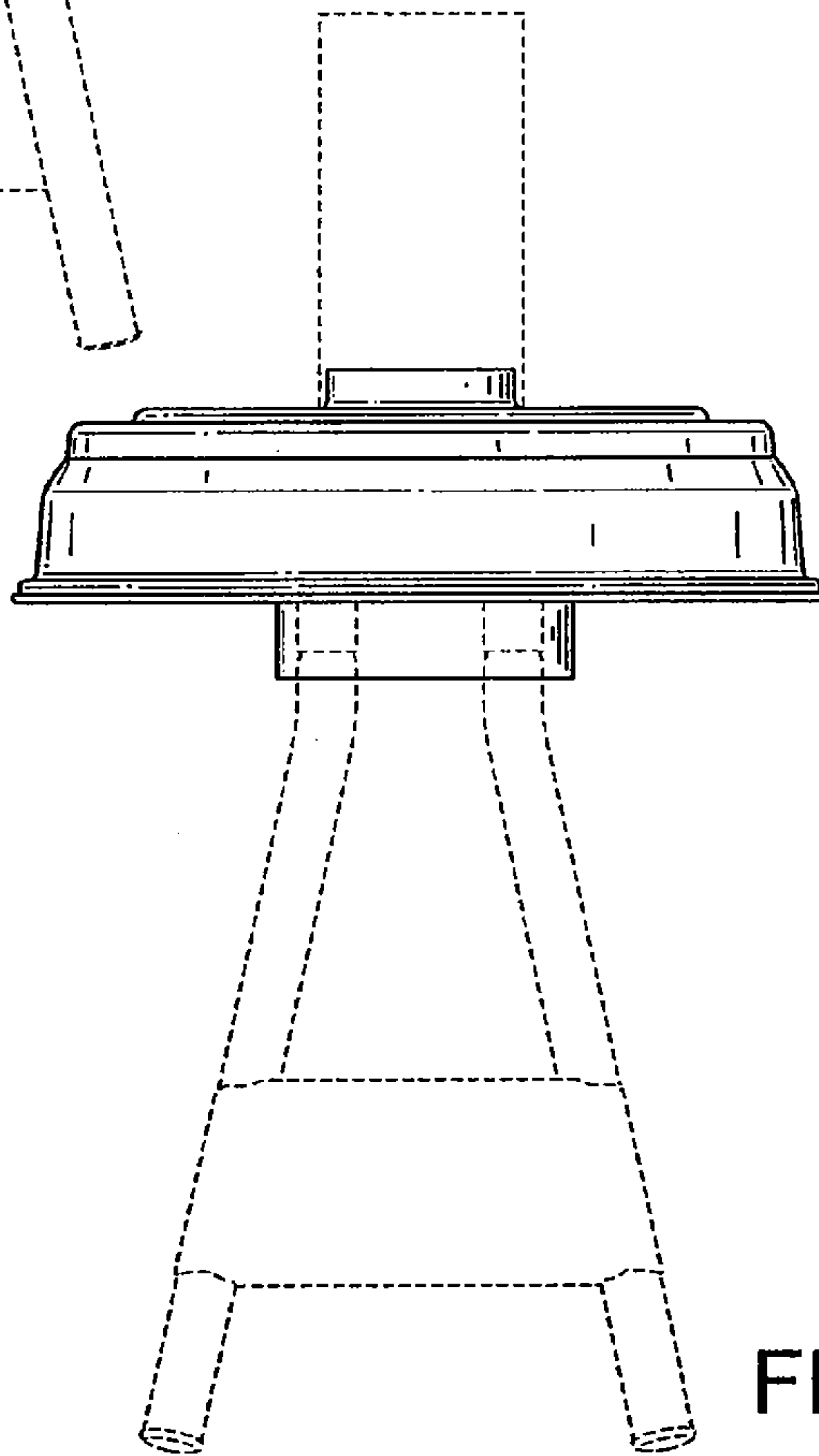


FIG. 5

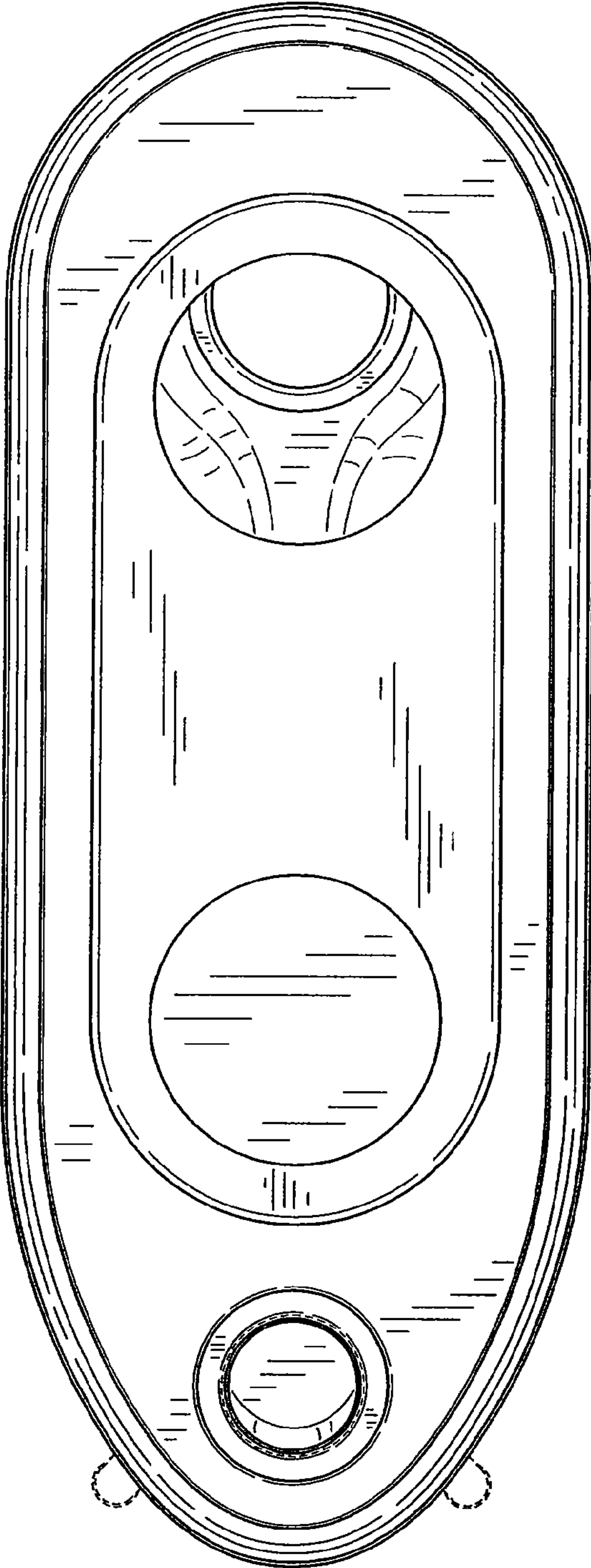


FIG.6

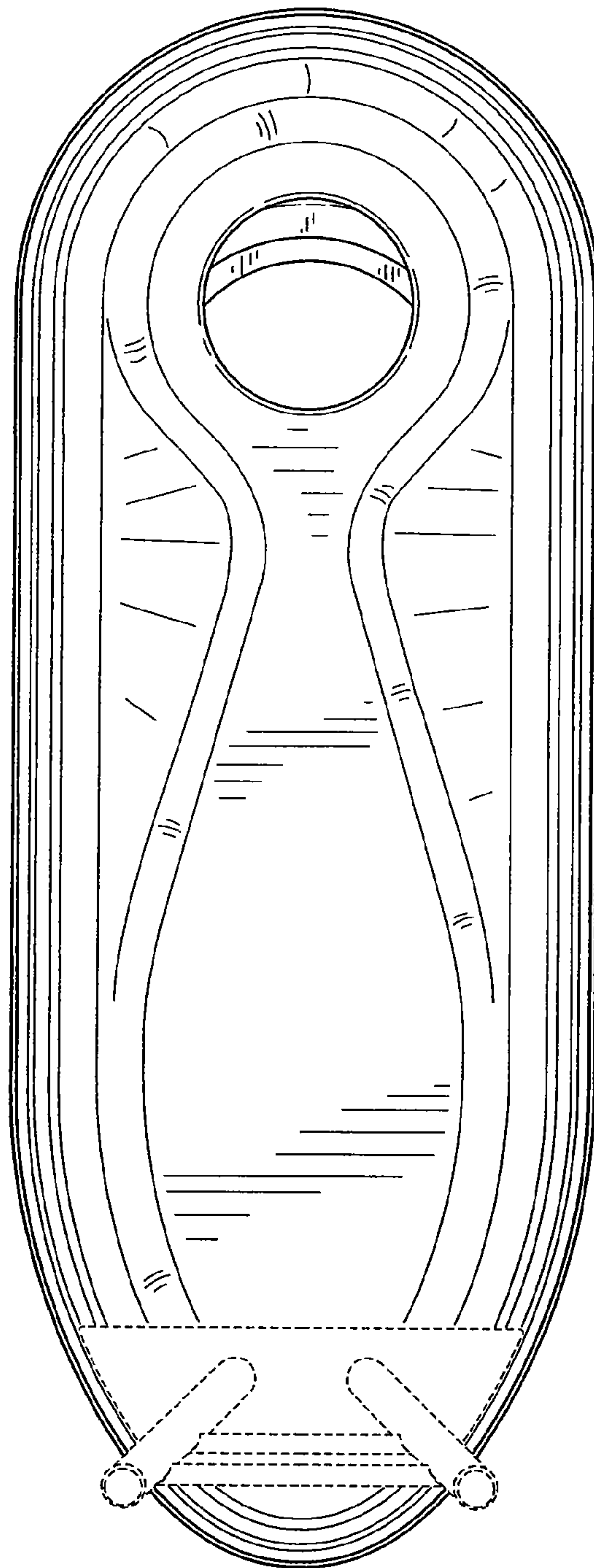


FIG.7