



US00D640496S

(12) **United States Design Patent**
Lam

(10) **Patent No.:** **US D640,496 S**
(45) **Date of Patent:** **** Jun. 28, 2011**

(54) **BASKETBALL SHAPED POPCORN MAKER**

(76) Inventor: **Paul Wood Yik Lam, Hong Kong (HK)**

(**) Term: **14 Years**

(21) Appl. No.: **29/322,130**

(22) Filed: **Jul. 30, 2008**

(51) **LOC (9) Cl.** **07-02**

(52) **U.S. Cl.** **D7/325**

(58) **Field of Classification Search** D3/271.9,
D3/257; D7/308, 323, 325, 330, 33, 354-361,
D7/51, 589, 604, 606, 703; D10/6; D14/232;
D20/3, 7, 29; D27/193; D28/67; D99/37;
62/400; 194/255, 296-297; 220/252

See application file for complete search history.

(56) **References Cited**

U.S. PATENT DOCUMENTS

D40,144 S *	7/1909	Clungeon	D20/29
1,441,438 A *	1/1923	Leonhardt	194/297
1,626,544 A *	4/1927	Lorant	62/400
D229,387 S *	11/1973	Gruber	D7/308
3,810,535 A *	5/1974	Phipps	194/296
D243,648 S *	3/1977	Conroy	D7/703
D271,173 S *	11/1983	Keshishian	D7/604
D279,643 S *	7/1985	Jensen	D7/589
D304,262 S *	10/1989	Mays	D3/271.9
D367,339 S *	2/1996	Dunn	D28/67
D367,546 S *	2/1996	Dunn	D28/67
D367,547 S *	2/1996	Dunn	D28/67

D368,327 S *	3/1996	Dunn	D28/67
D417,955 S *	12/1999	Sletten	D3/257
D418,514 S *	1/2000	Adelaar	D14/232
D420,706 S *	2/2000	Weatherby et al.	D20/7
D461,097 S *	8/2002	Nemirovsky	D7/515
D469,571 S *	1/2003	Franzblau	D27/193
D492,084 S *	6/2004	Wilson	D99/37
D512,598 S *	12/2005	Shore	D7/325
D524,090 S *	7/2006	Wise	D7/330
D563,145 S *	3/2008	Henry et al.	D7/334
D569,677 S *	5/2008	Poon	D7/357

* cited by examiner

Primary Examiner — Ricky Pham

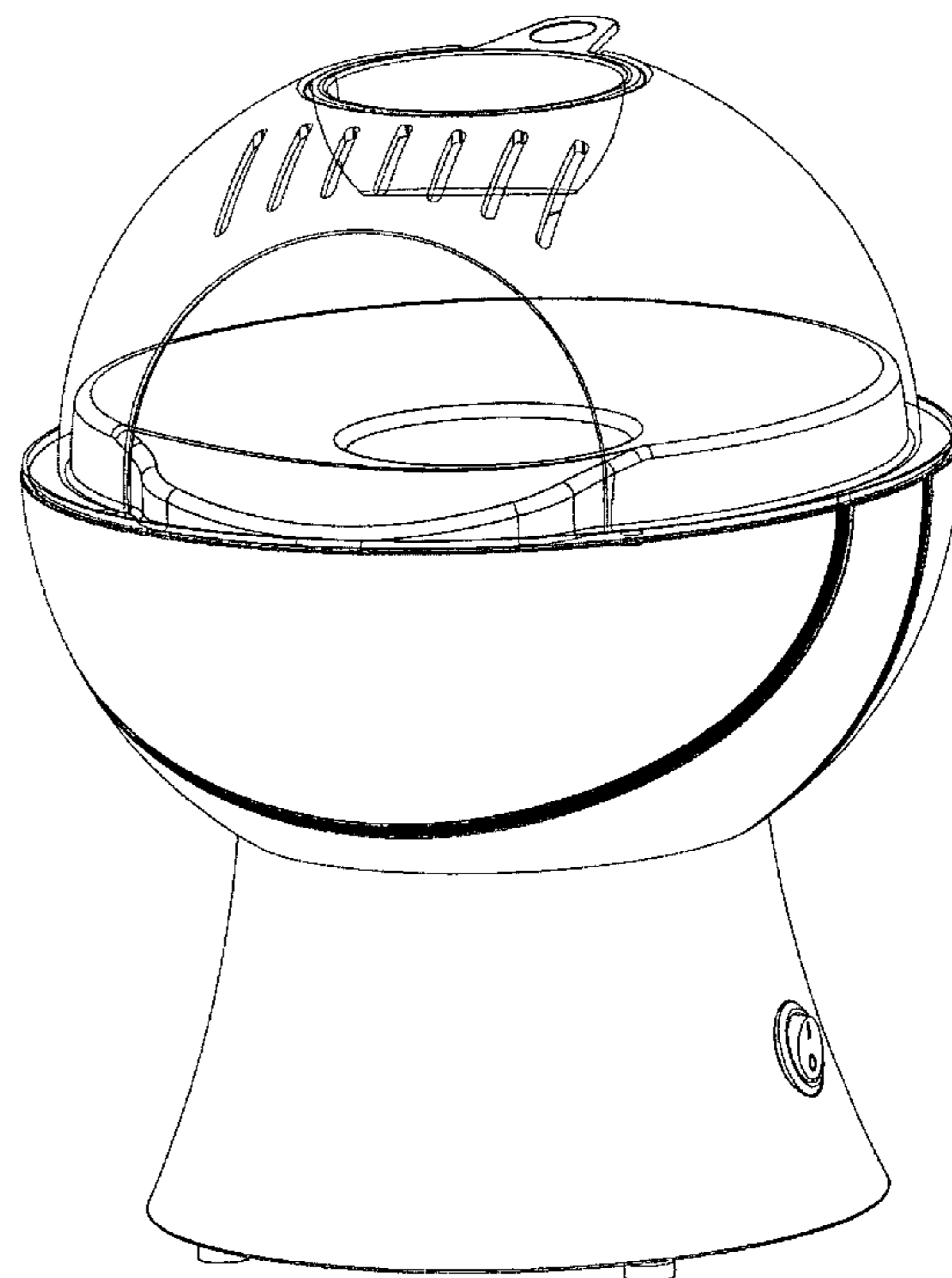
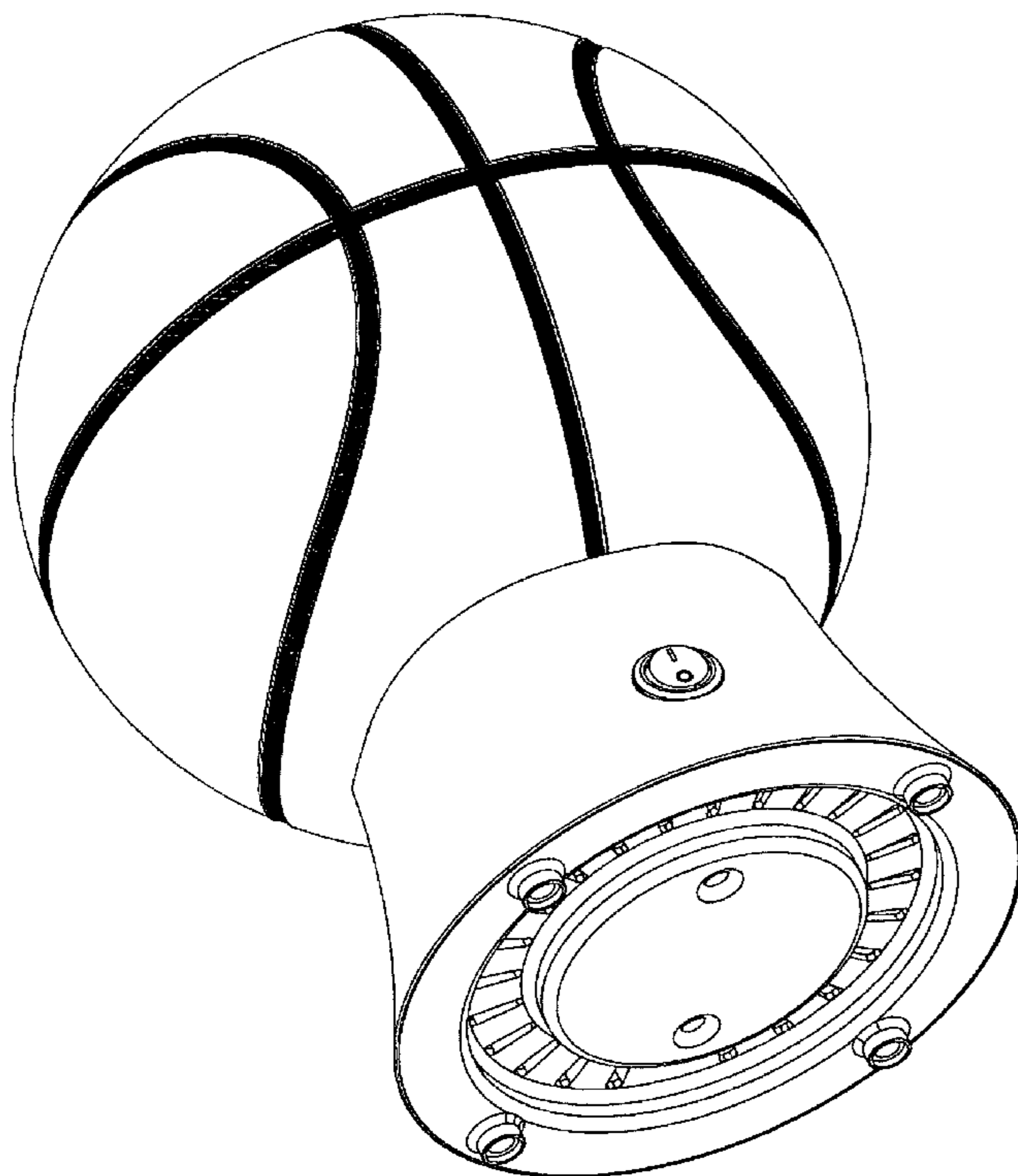
(57) **CLAIM**

The ornamental design for a basketball shaped popcorn maker, as shown and described.

DESCRIPTION

FIG. 1 is the front view of a basketball shaped popcorn maker showing my new design;
 FIG. 2 is the rear view thereof;
 FIG. 3 is the top view thereof;
 FIG. 4 is the bottom view thereof;
 FIG. 5 is the left view thereof;
 FIG. 6 is the right view thereof;
 FIG. 7 is a bottom perspective view thereof;
 FIG. 8 is a top perspective view thereof; shown with the top cover removed for ease of illustration; and,
 FIG. 9 is top view thereof; shown with the top cover removed for ease of illustration.

1 Claim, 9 Drawing Sheets



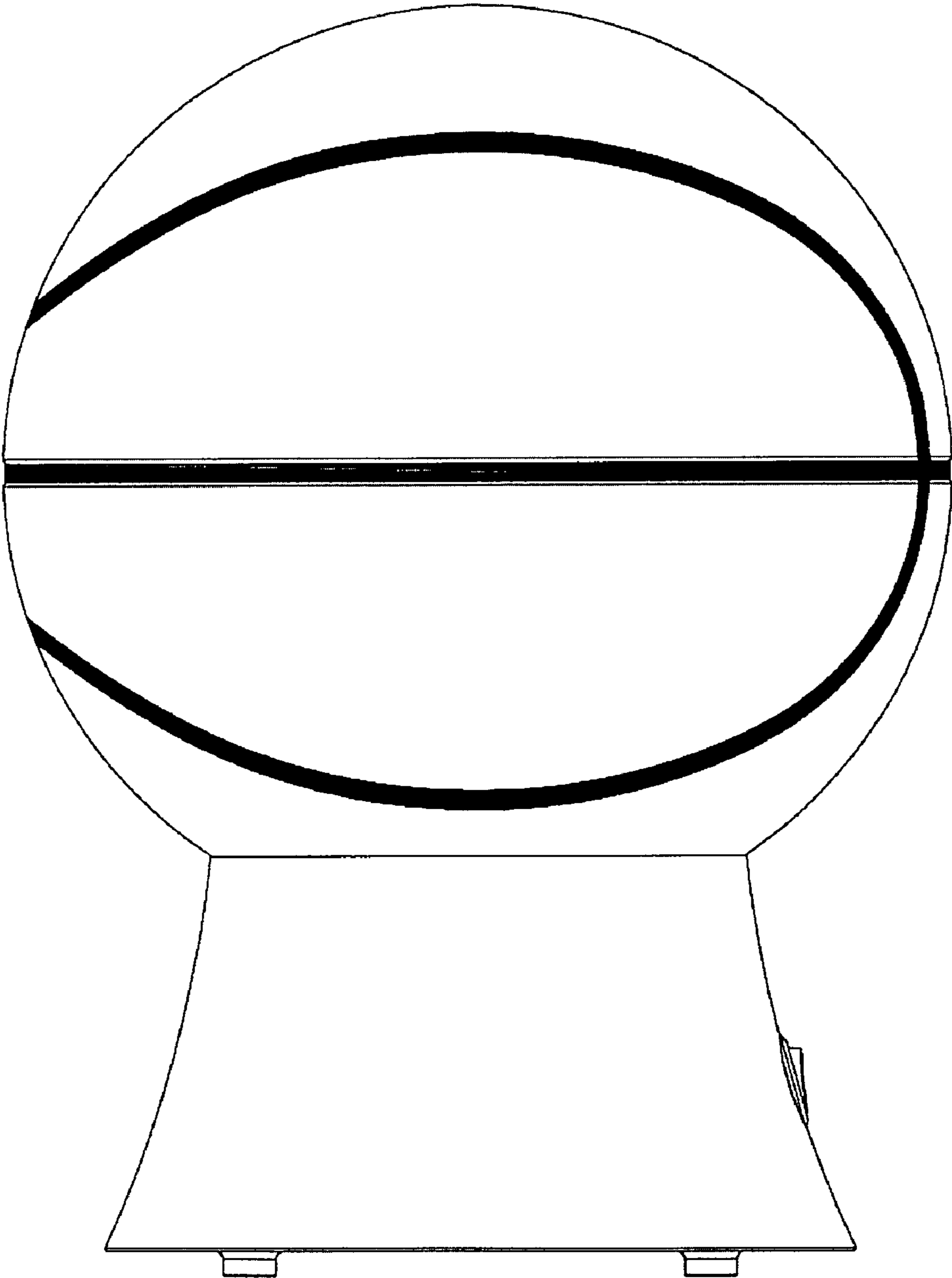


FIG.1

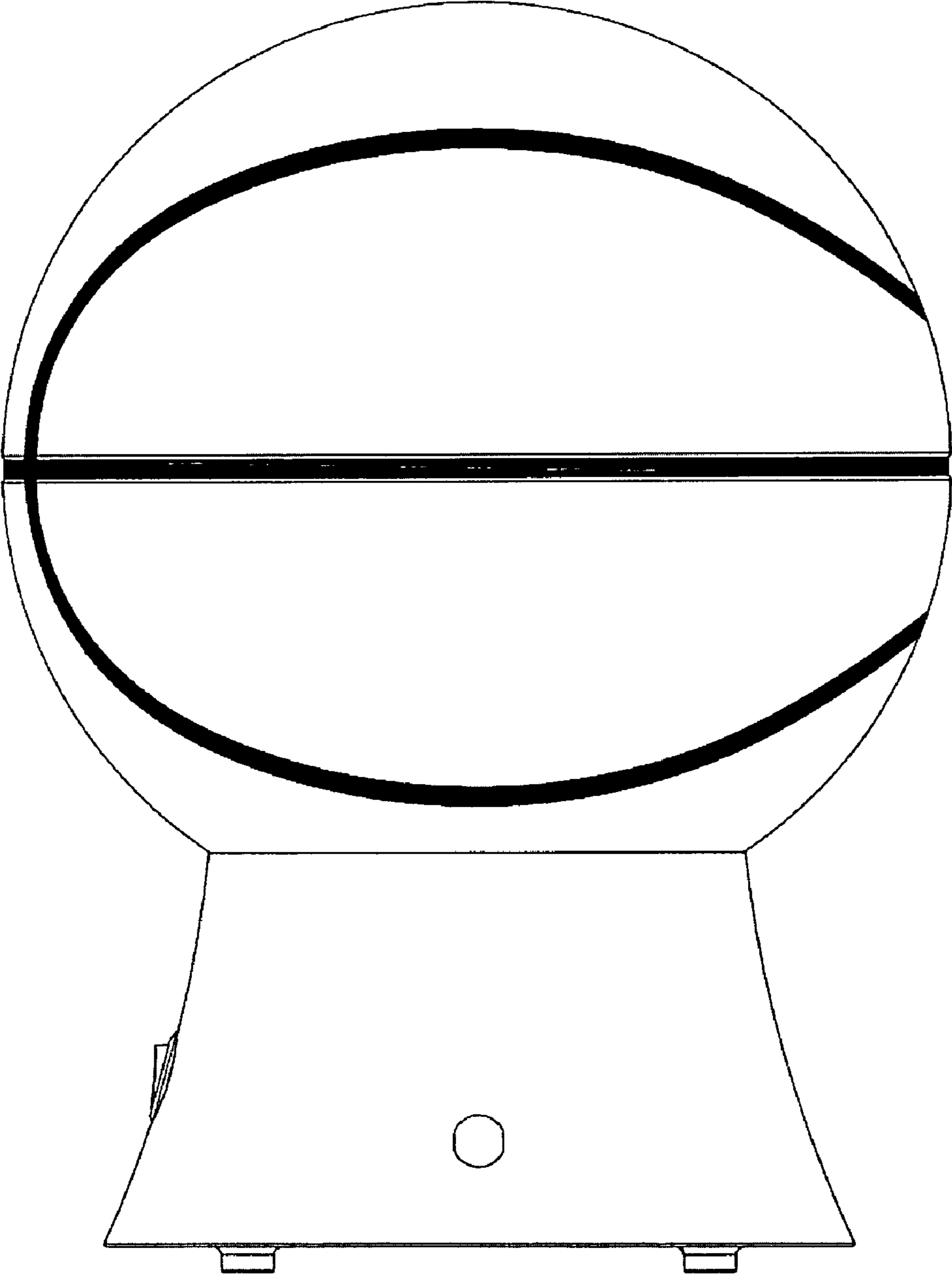


FIG.2

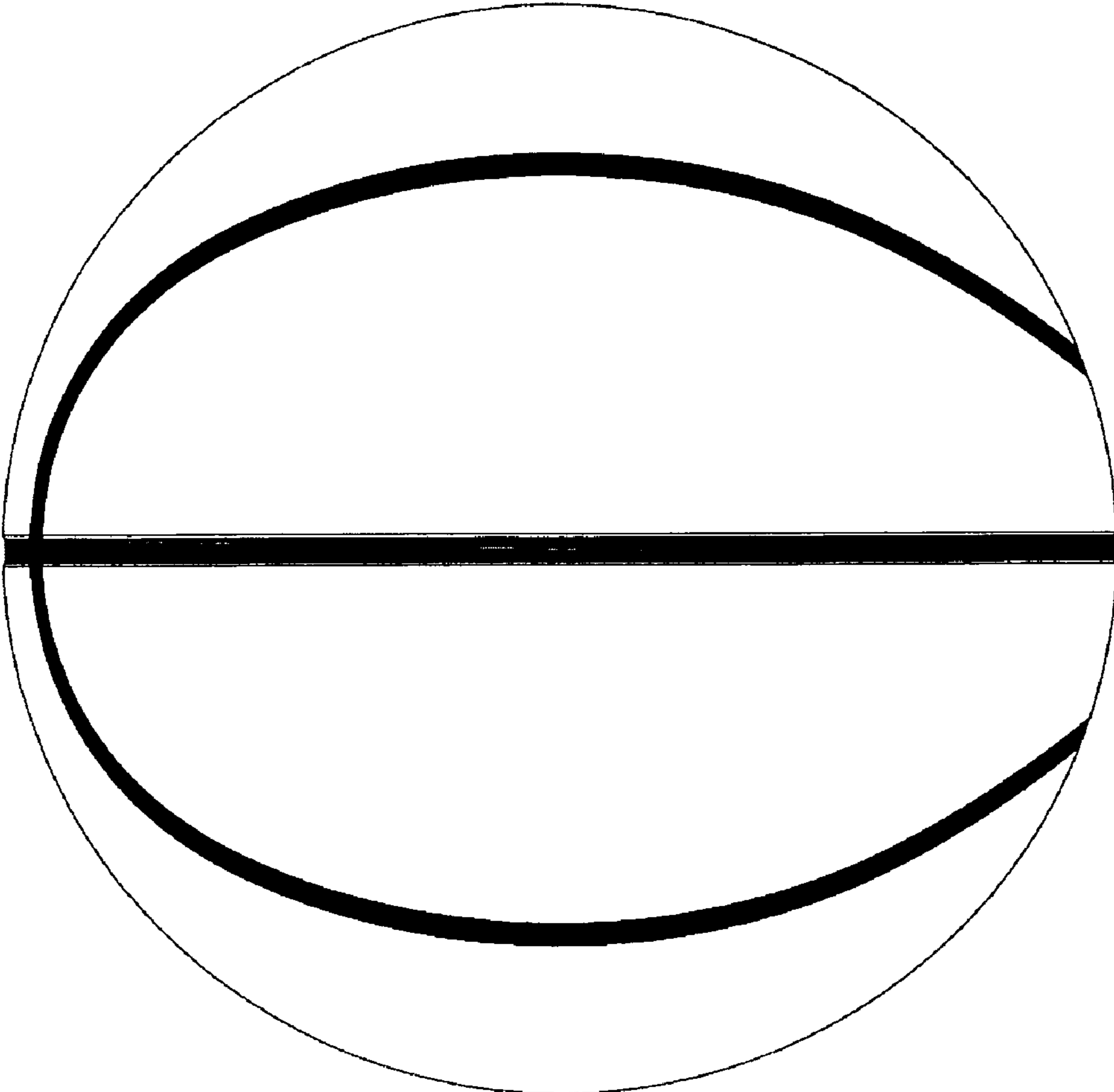


FIG.3

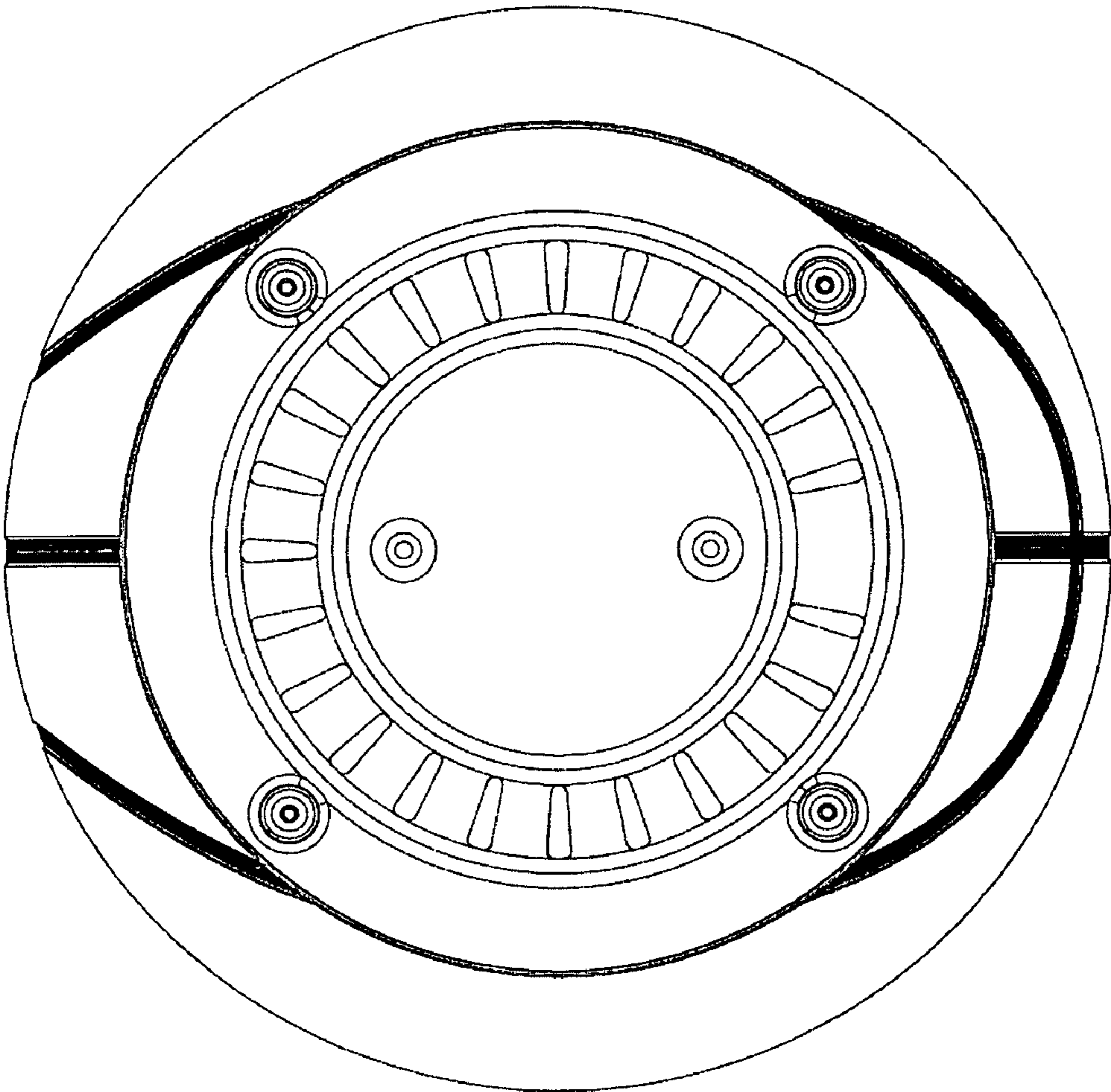


FIG.4

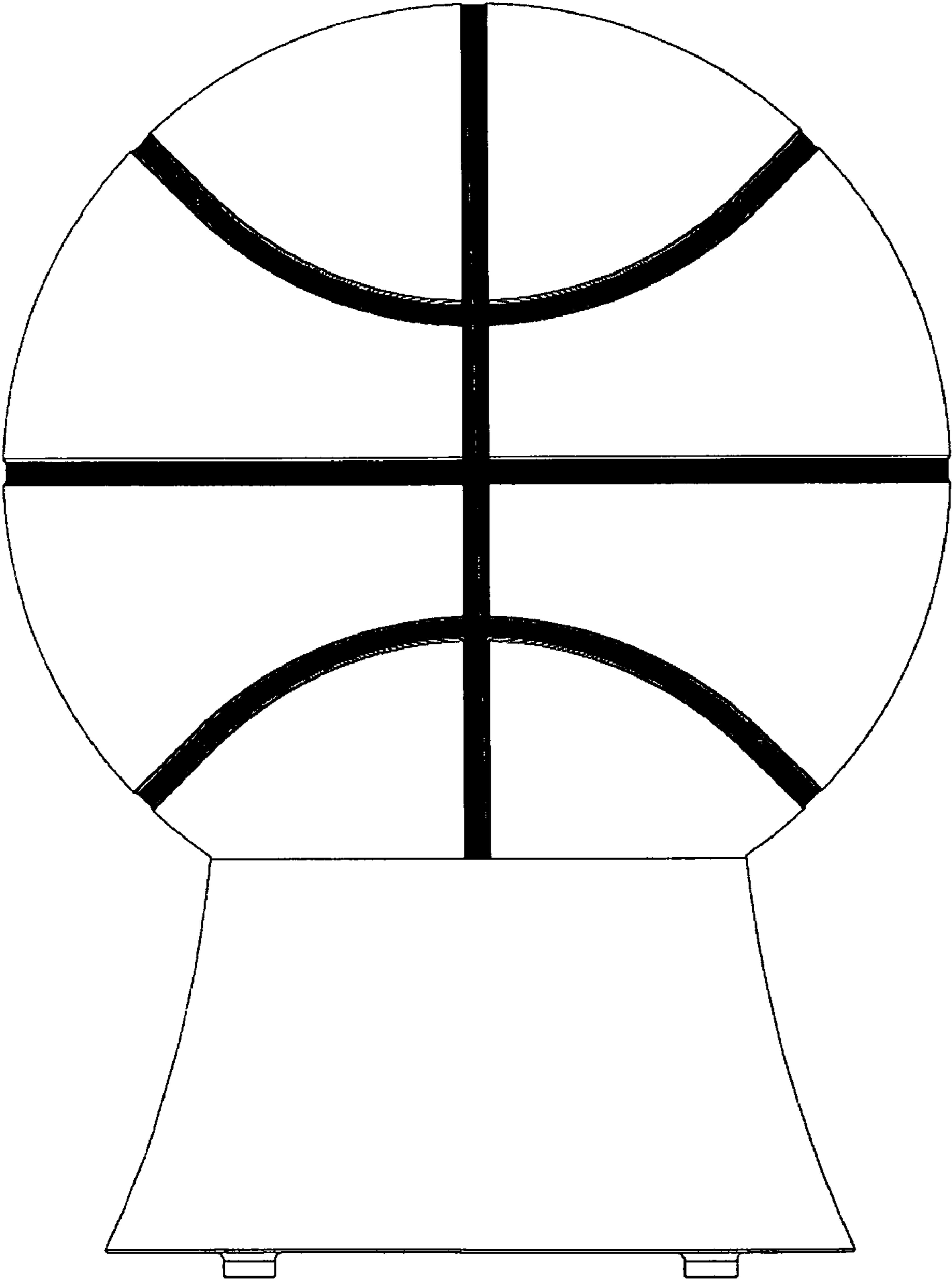


FIG.5

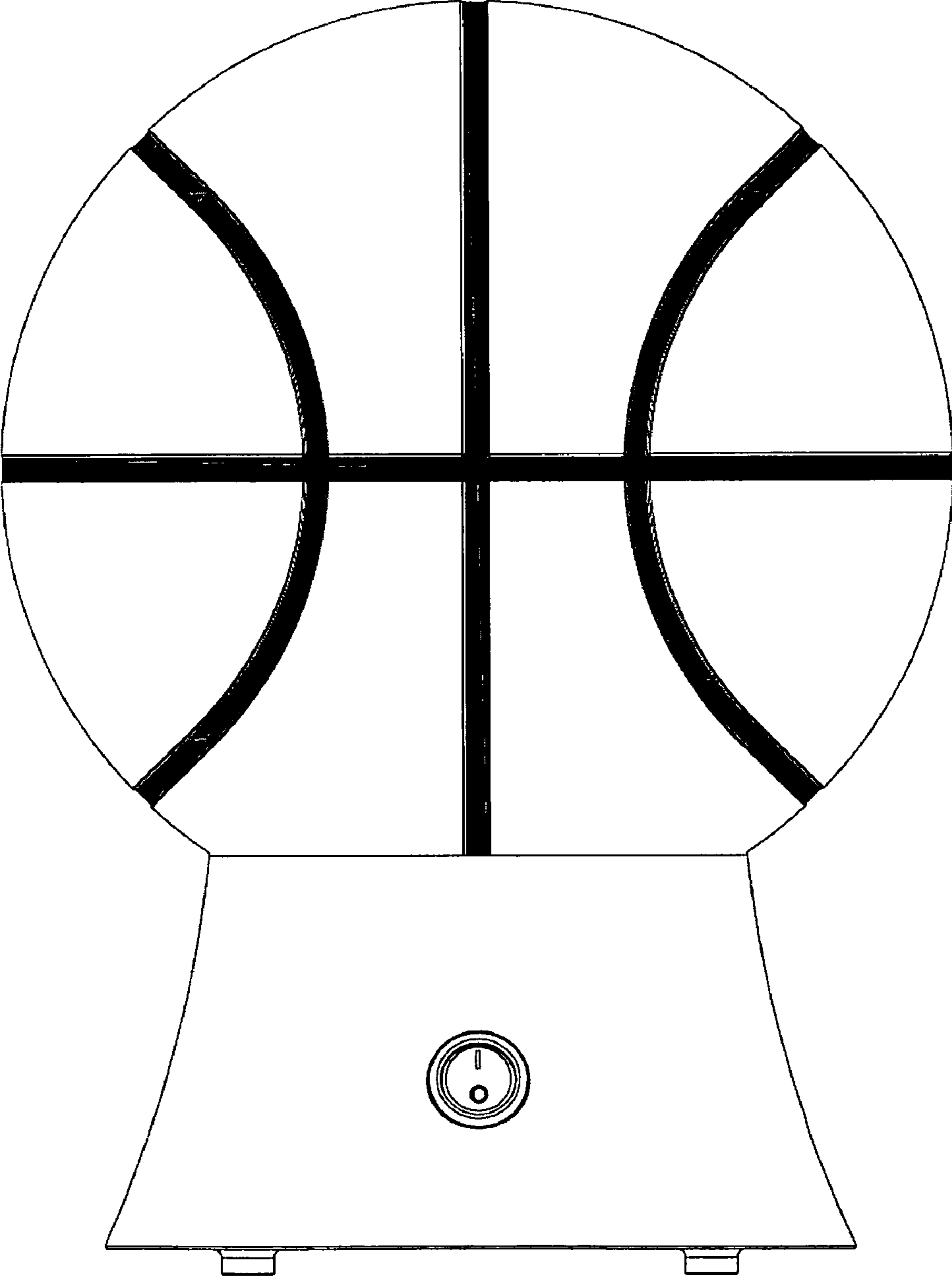


FIG.6

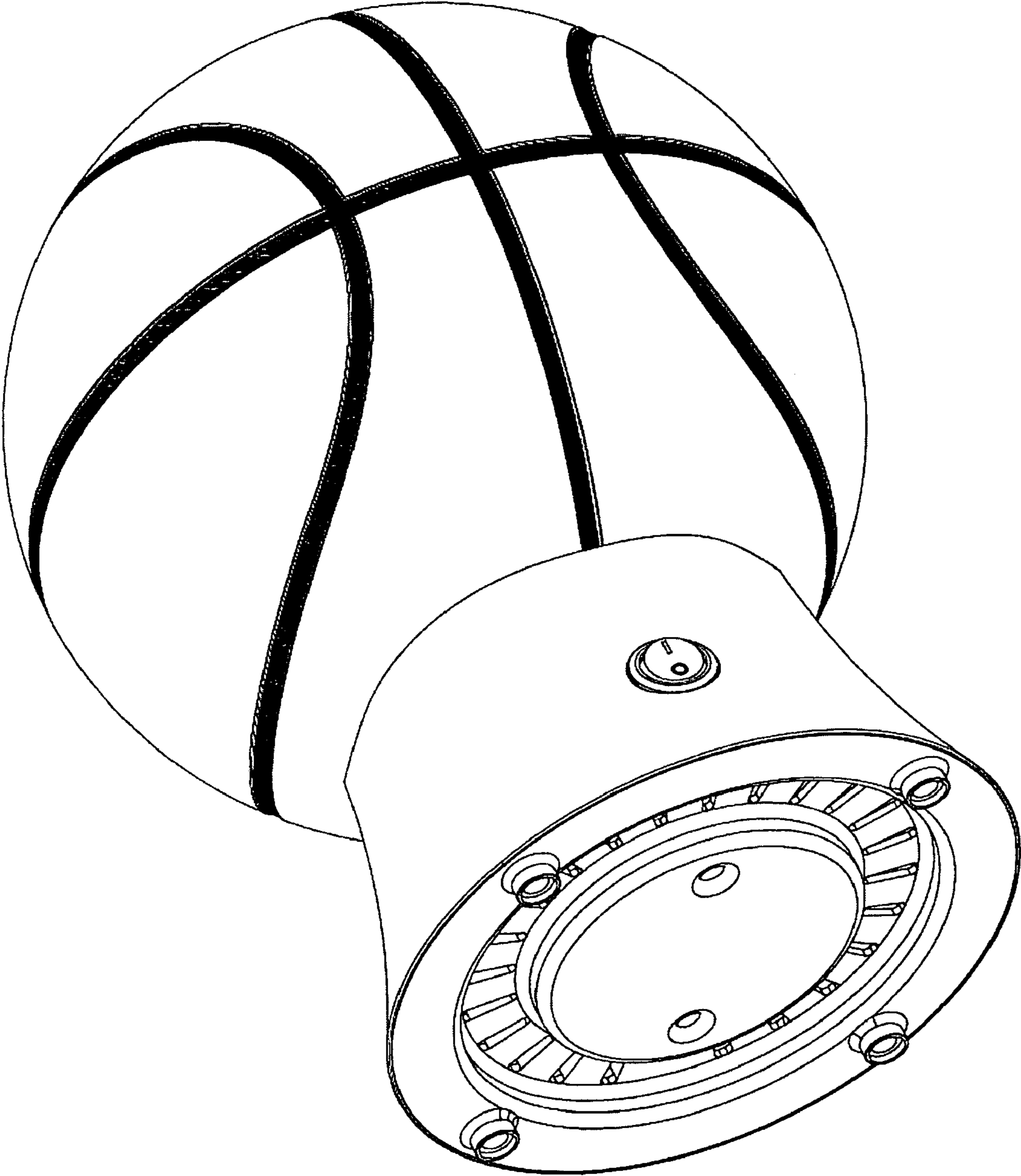


FIG.7

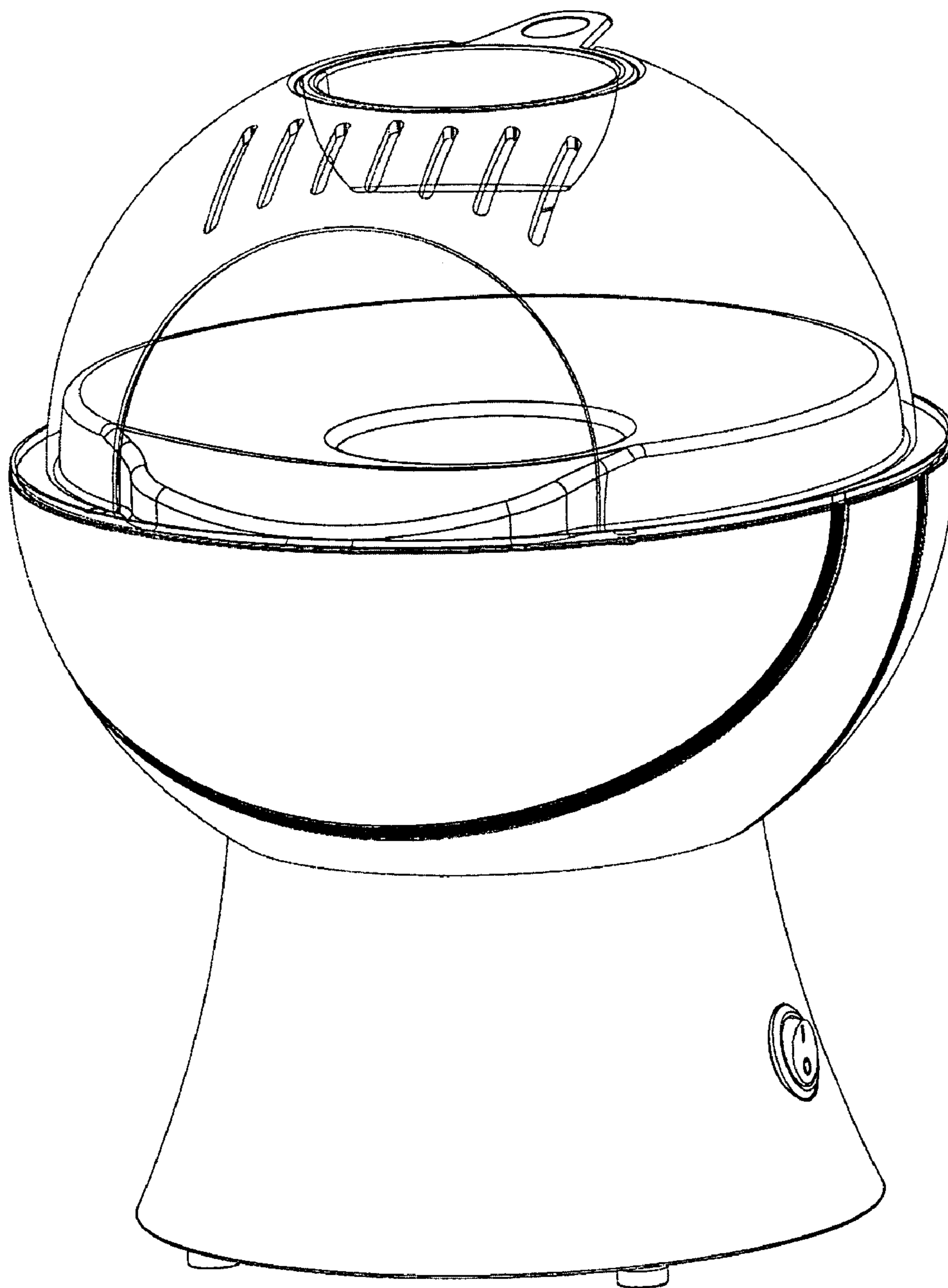


FIG.8

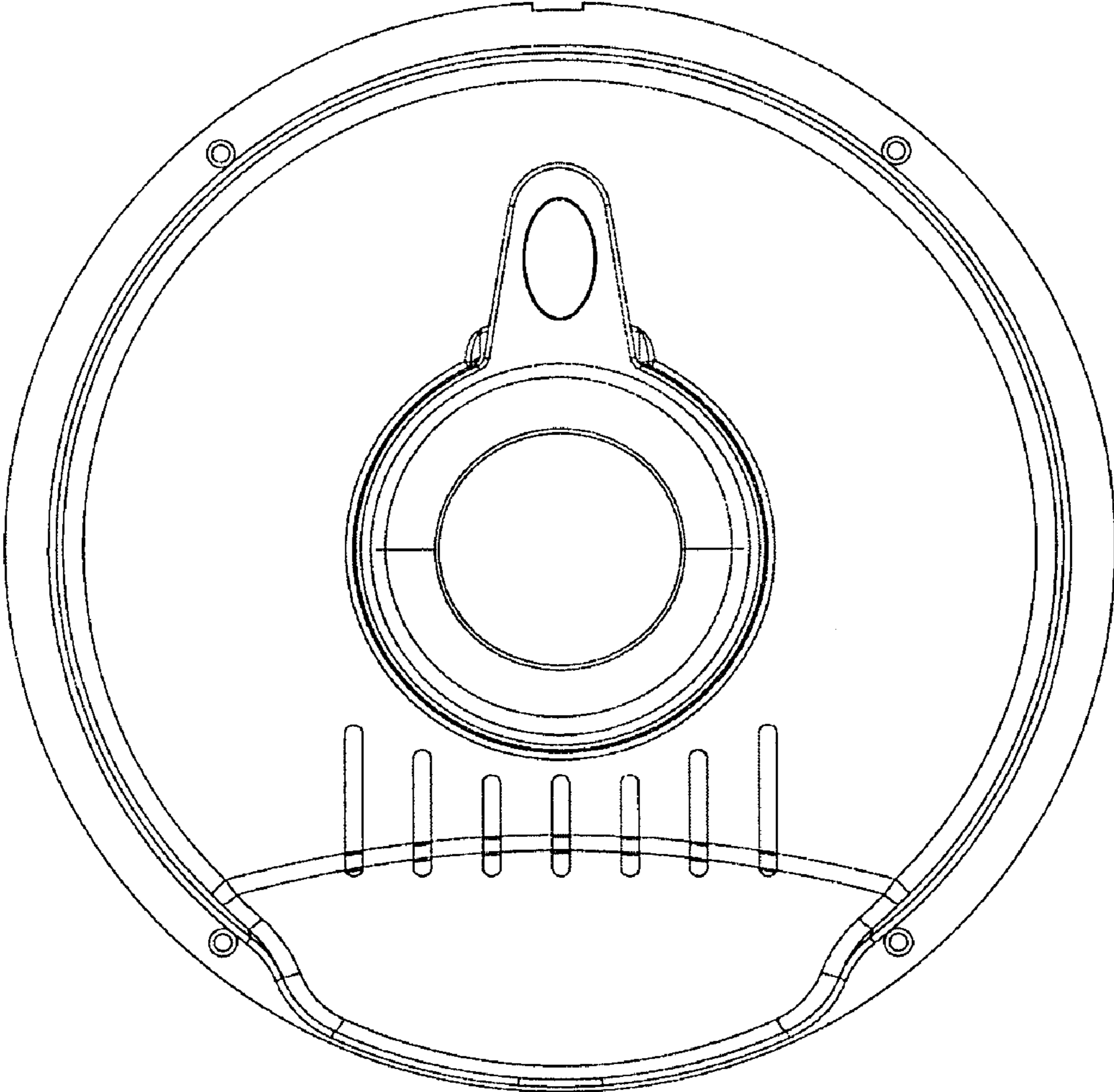


FIG.9