



US00D640489S

(12) **United States Design Patent**  
**Tuholski**

(10) **Patent No.:** **US D640,489 S**

(45) **Date of Patent:** **\*\* Jun. 28, 2011**

(54) **WALL-MOUNTED SHELF**

(76) Inventor: **Jim Tuholski**, Port Orange, FL (US)

(\*\*) Term: **14 Years**

(21) Appl. No.: **29/314,488**

(22) Filed: **Apr. 6, 2009**

(51) **LOC (9) Cl.** ..... **08-08**

(52) **U.S. Cl.** ..... **D6/574**

(58) **Field of Classification Search** ..... D6/553,  
D6/574, 567, 518; 211/13.1, 69.1, 70.6,  
211/70.7, 71-72, 74-75, 86.01, 87.01, 88.01,  
211/90.01, 126.1, 10, 11, 44, 45, 50, 119.005;  
D9/434, 425, 428-429; 206/518-519, 392,  
206/389; 222/153.1; D8/434, 373, 380;  
D19/90, 86, 75, 77, 78, 91, 99, 100  
See application file for complete search history.

(56) **References Cited**

**U.S. PATENT DOCUMENTS**

D193,243	S *	7/1962	Chapman	.....	D6/574
3,943,859	A	3/1976	Boone		
D242,313	S *	11/1976	Stentz	.....	D6/574
4,008,808	A	2/1977	Ramsay		
D248,702	S	8/1978	Baldini		
4,319,792	A	3/1982	Britt et al.		
D280,583	S *	9/1985	Evenson	.....	D6/574
D281,040	S *	10/1985	Campbell et al.	.....	D6/574
D287,200	S *	12/1986	Gecchelin	.....	D6/574
D305,190	S *	12/1989	Winter et al.	.....	D6/567
D339,017	S *	9/1993	Goodman et al.	.....	D6/567
D339,260	S	9/1993	Hillard et al.		
D347,137	S *	5/1994	McWhirter	.....	D6/567
5,638,966	A	6/1997	Kuntz		

D383,633	S *	9/1997	Schweitzer	.....	D6/567
D413,749	S *	9/1999	Stravitz	.....	D6/567
D485,307	S *	1/2004	Sheldon et al.	.....	D19/90
D486,185	S *	2/2004	Sheldon et al.	.....	D19/90
D520,286	S *	5/2006	Chen et al.	.....	D6/553
D544,272	S *	6/2007	Chen et al.	.....	D6/553
D559,102	S *	1/2008	Houghton et al.	.....	D9/434
D563,136	S *	3/2008	Kramer	.....	D6/553
D577,913	S *	10/2008	Thompson et al.	.....	D3/304
D577,914	S *	10/2008	Babic et al.	.....	D3/304
D587,947	S *	3/2009	Valiulis et al.	.....	D6/553
D606,347	S *	12/2009	Berry	.....	D6/553
2007/0095769	A1	5/2007	Jenkins		

\* cited by examiner

*Primary Examiner* — Phillip S Hyder

*Assistant Examiner* — Sydney R Buffalow

(74) *Attorney, Agent, or Firm* — Paul S. Rooy PA

(57) **CLAIM**

The ornamental design for a wall-mounted shelf, as shown and described.

**DESCRIPTION**

FIG. 1 is a right side elevated isometric view of a wall-mounted shelf.

FIG. 2 is a rear quarter isometric view of a wall-mounted shelf.

FIG. 3 is a front view of a wall-mounted shelf.

FIG. 4 is a rear view a wall-mounted shelf.

FIG. 5 is a right side view of a wall-mounted shelf.

FIG. 6 is a left side view of a wall-mounted shelf.

FIG. 7 is a top view of a wall-mounted shelf; and,

FIG. 8 is a bottom view of a wall-mounted shelf.

**1 Claim, 5 Drawing Sheets**

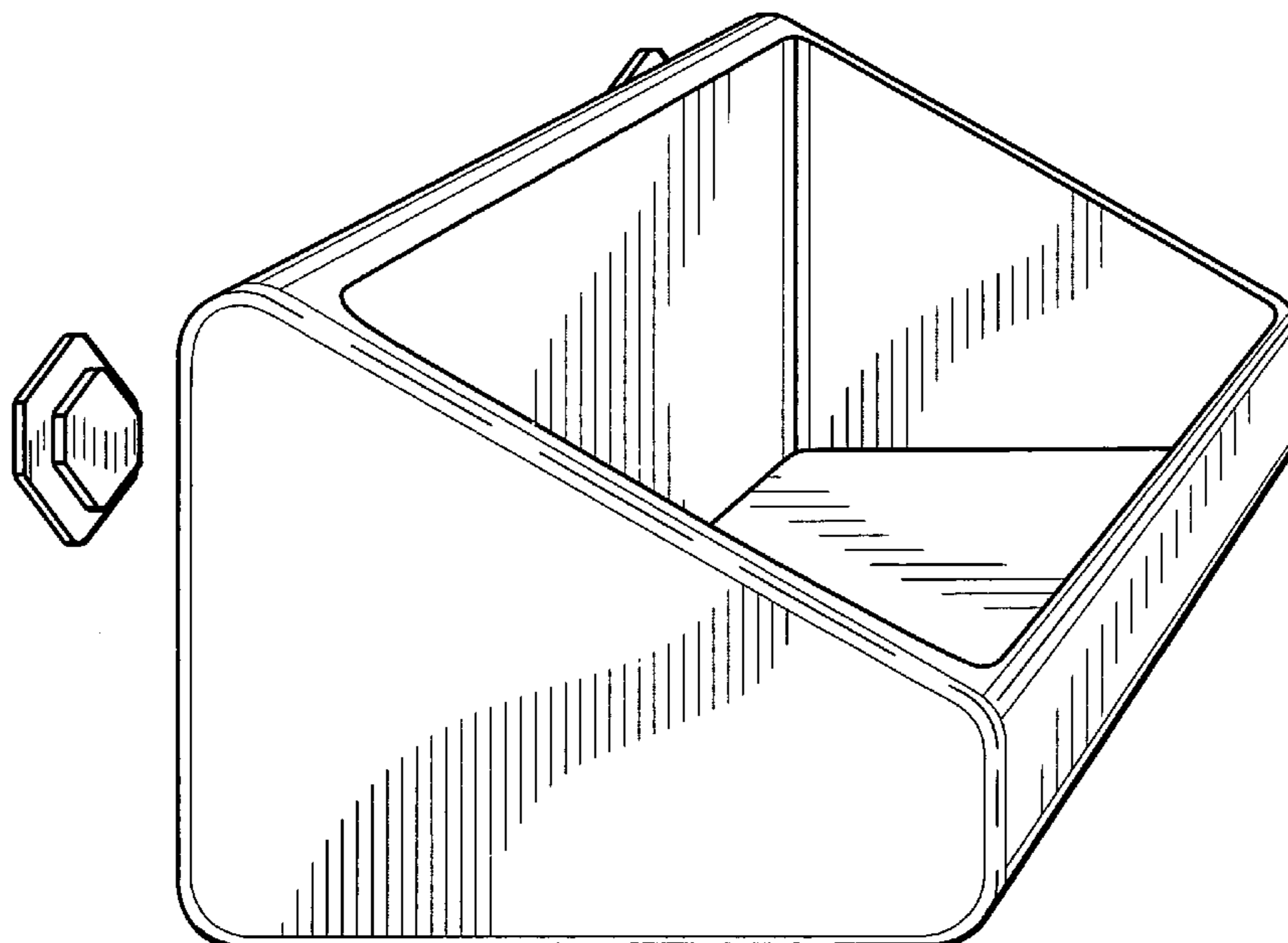


Fig. 1

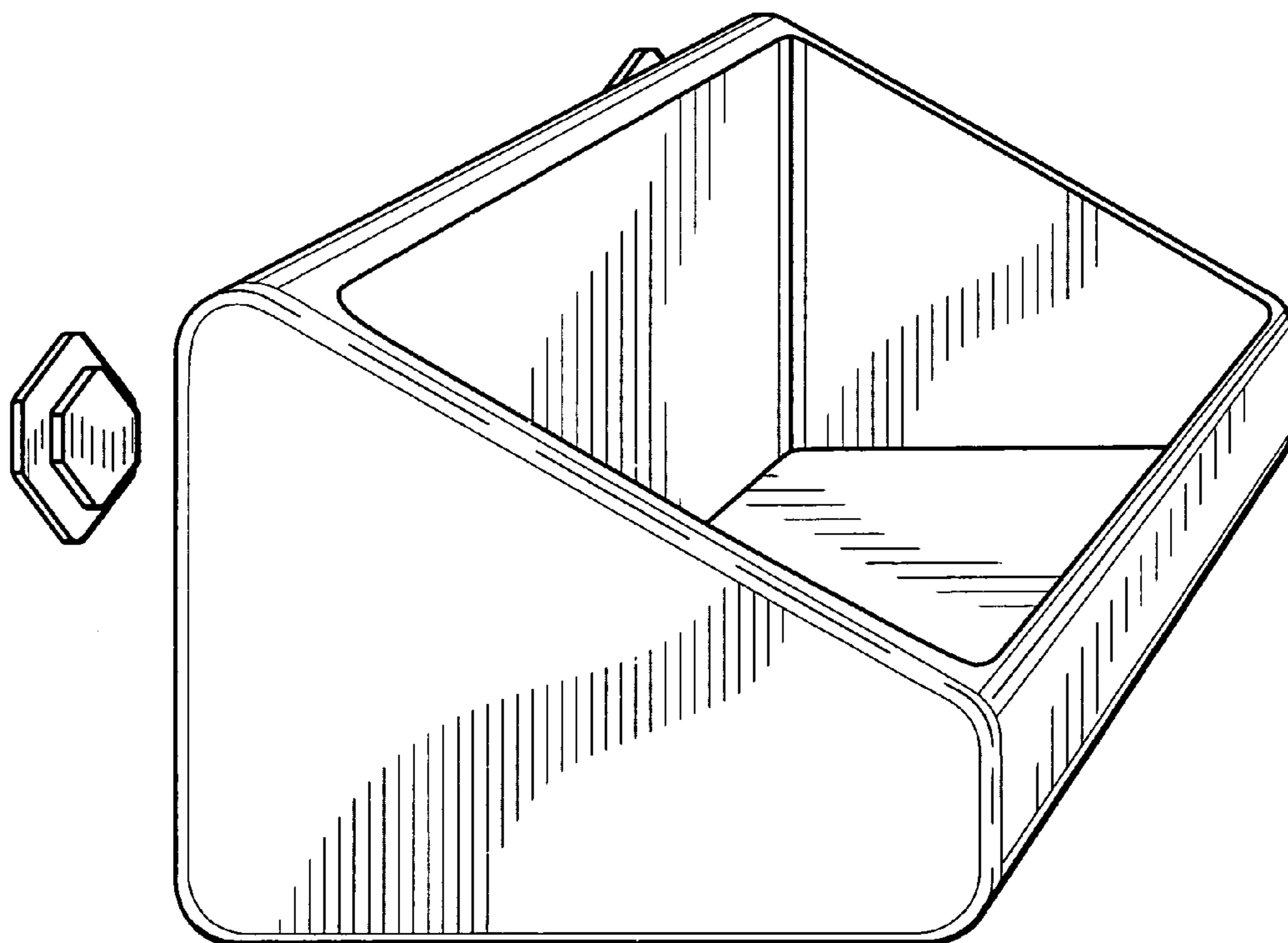


Fig. 2

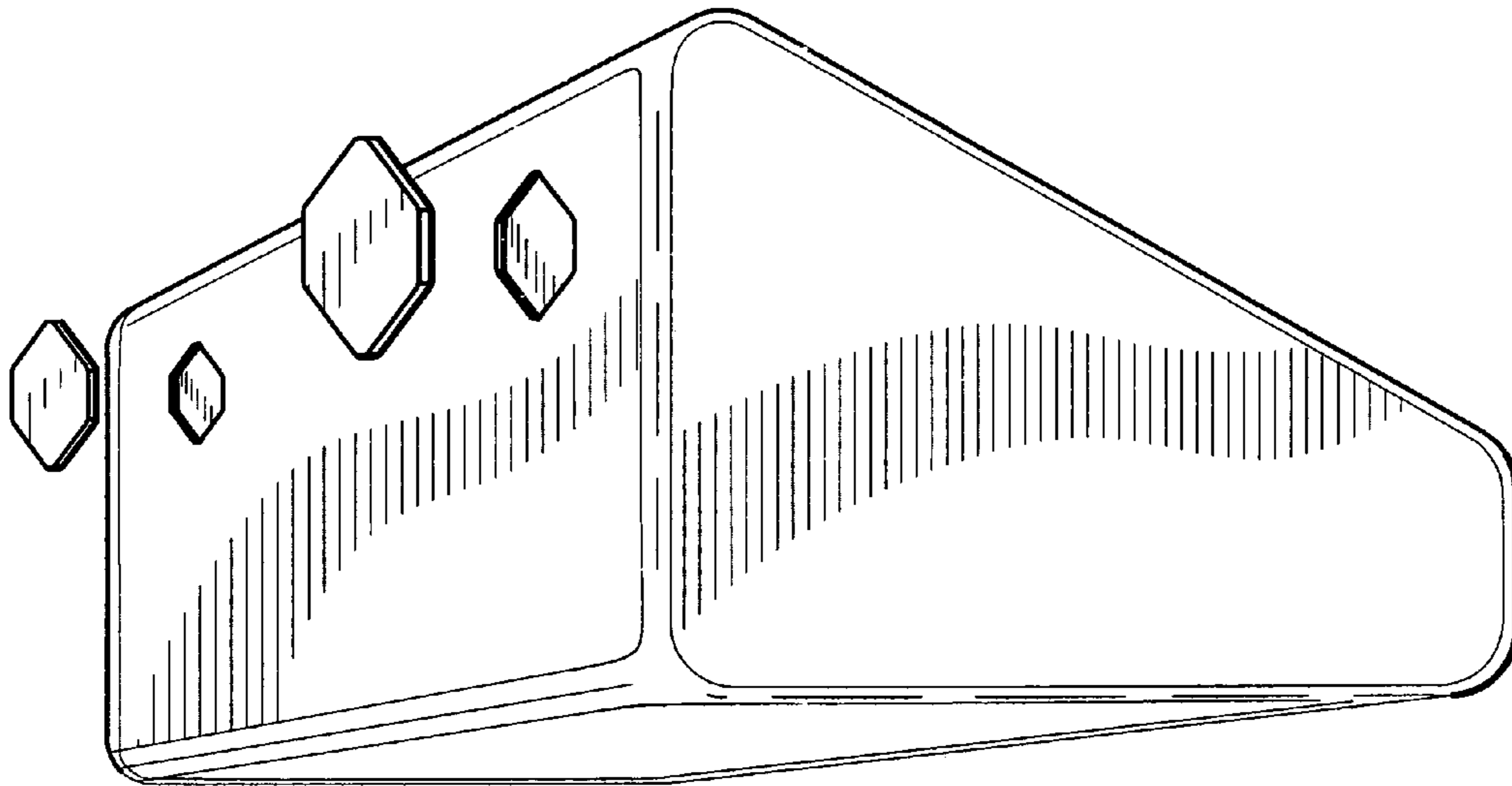


Fig. 3

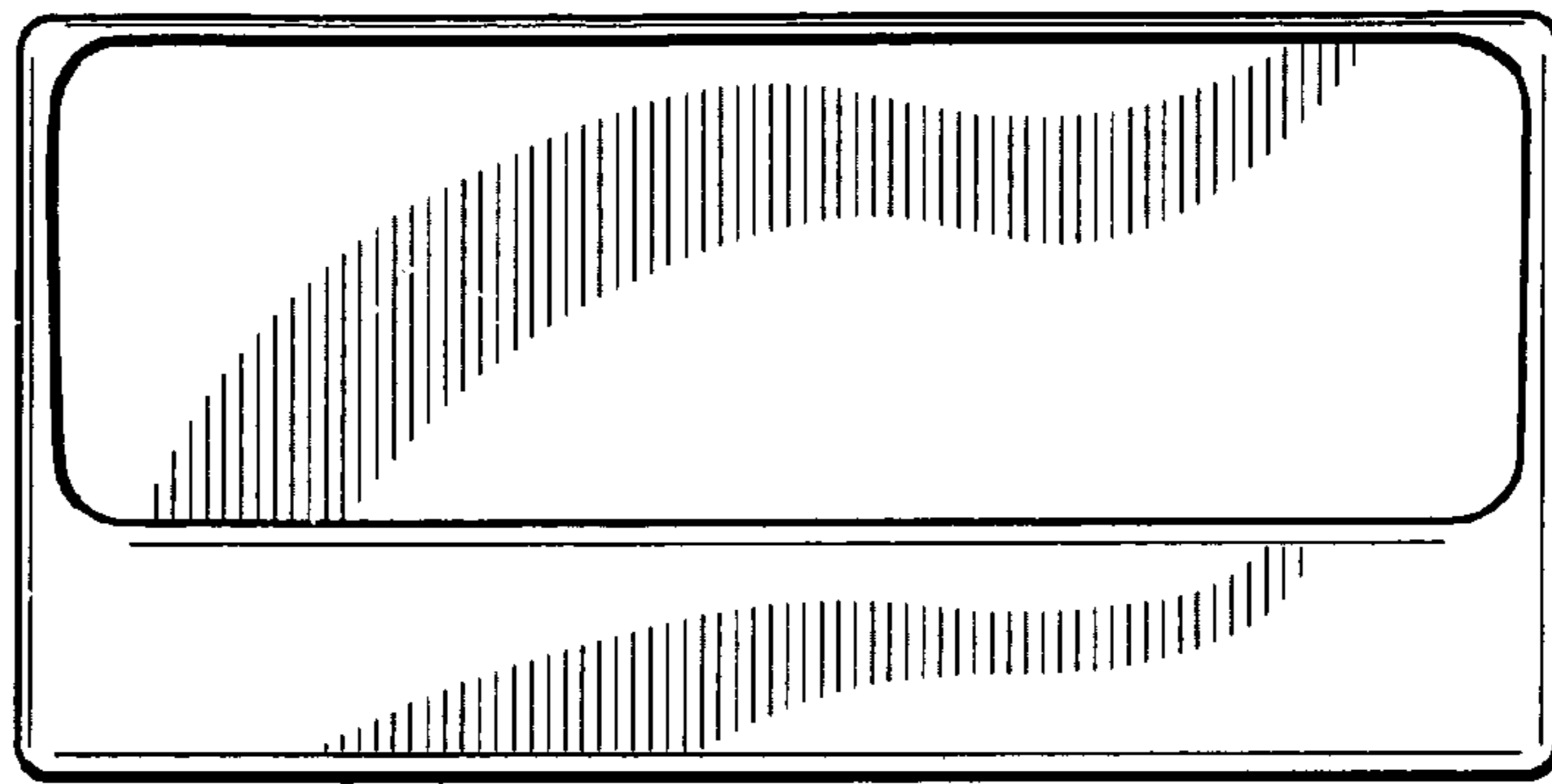


Fig. 4

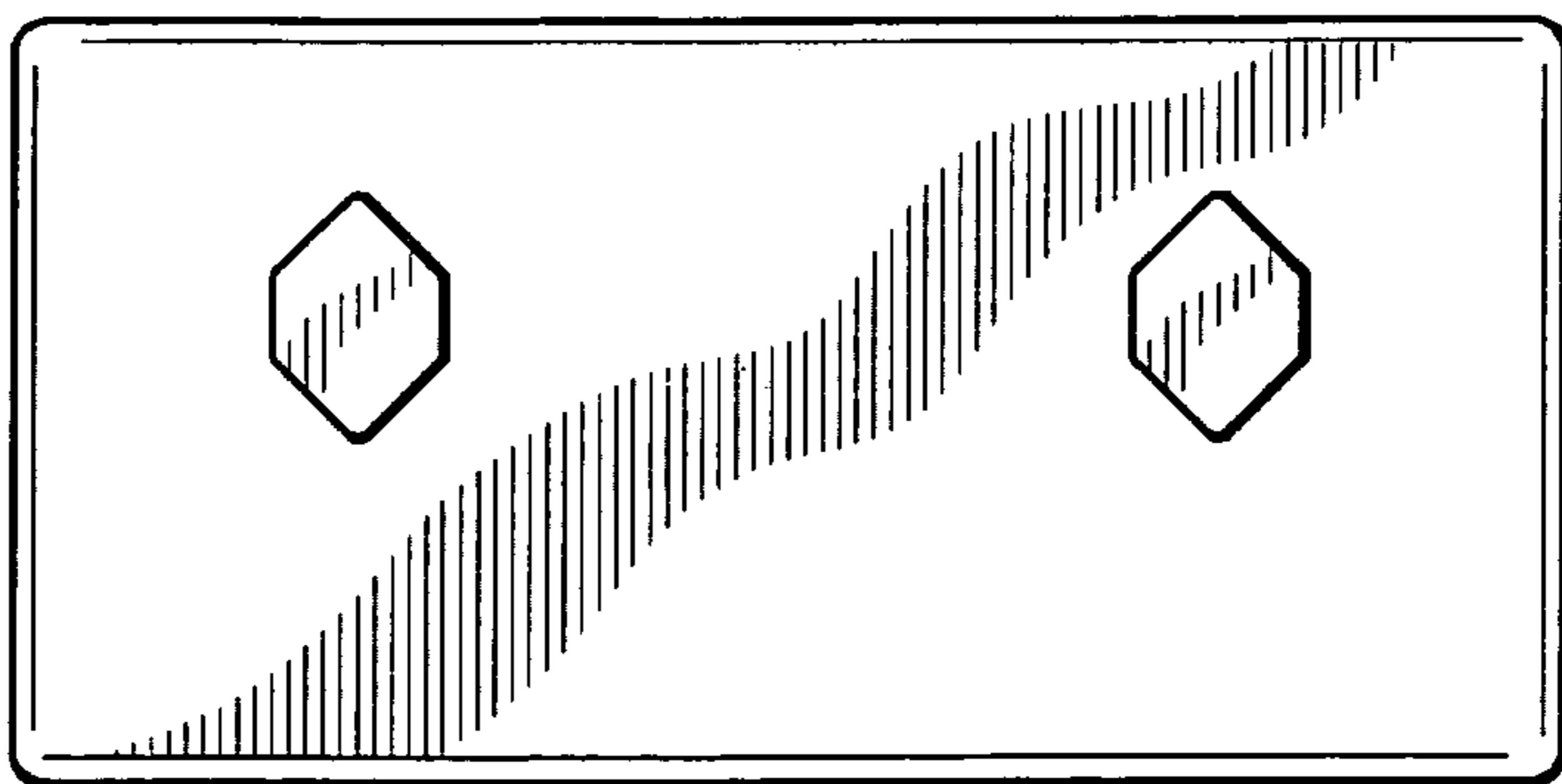


Fig. 5

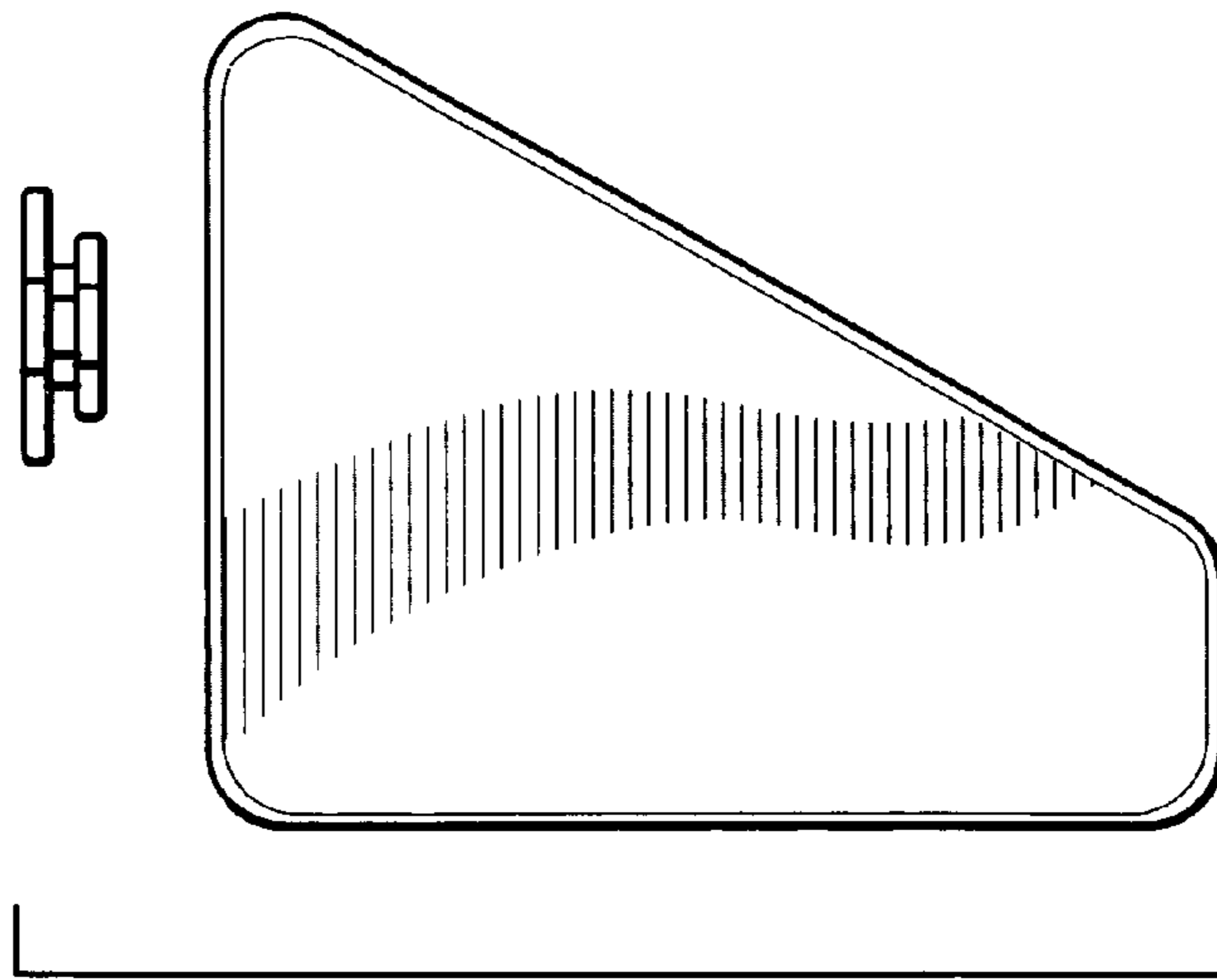


Fig. 6

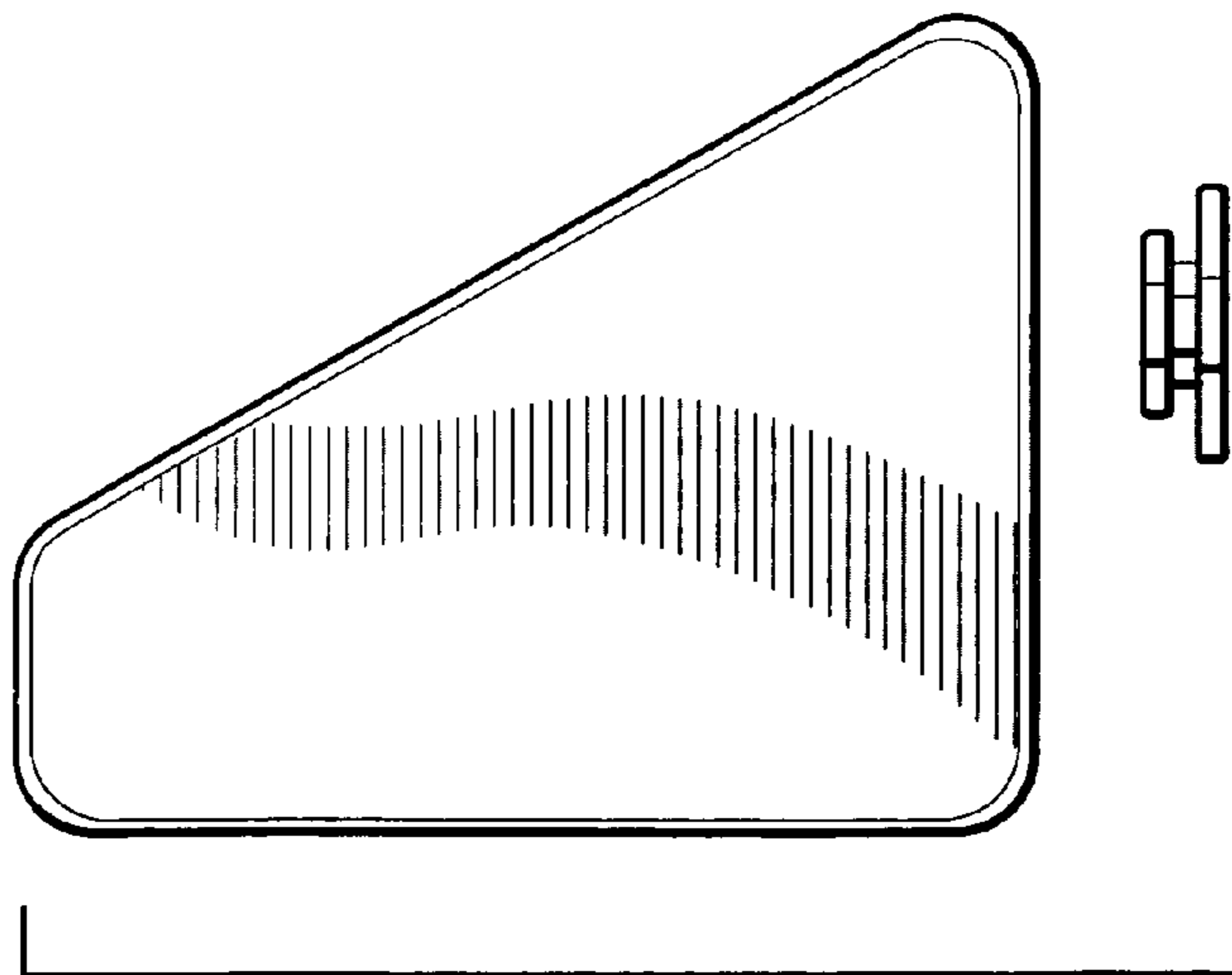


Fig. 7

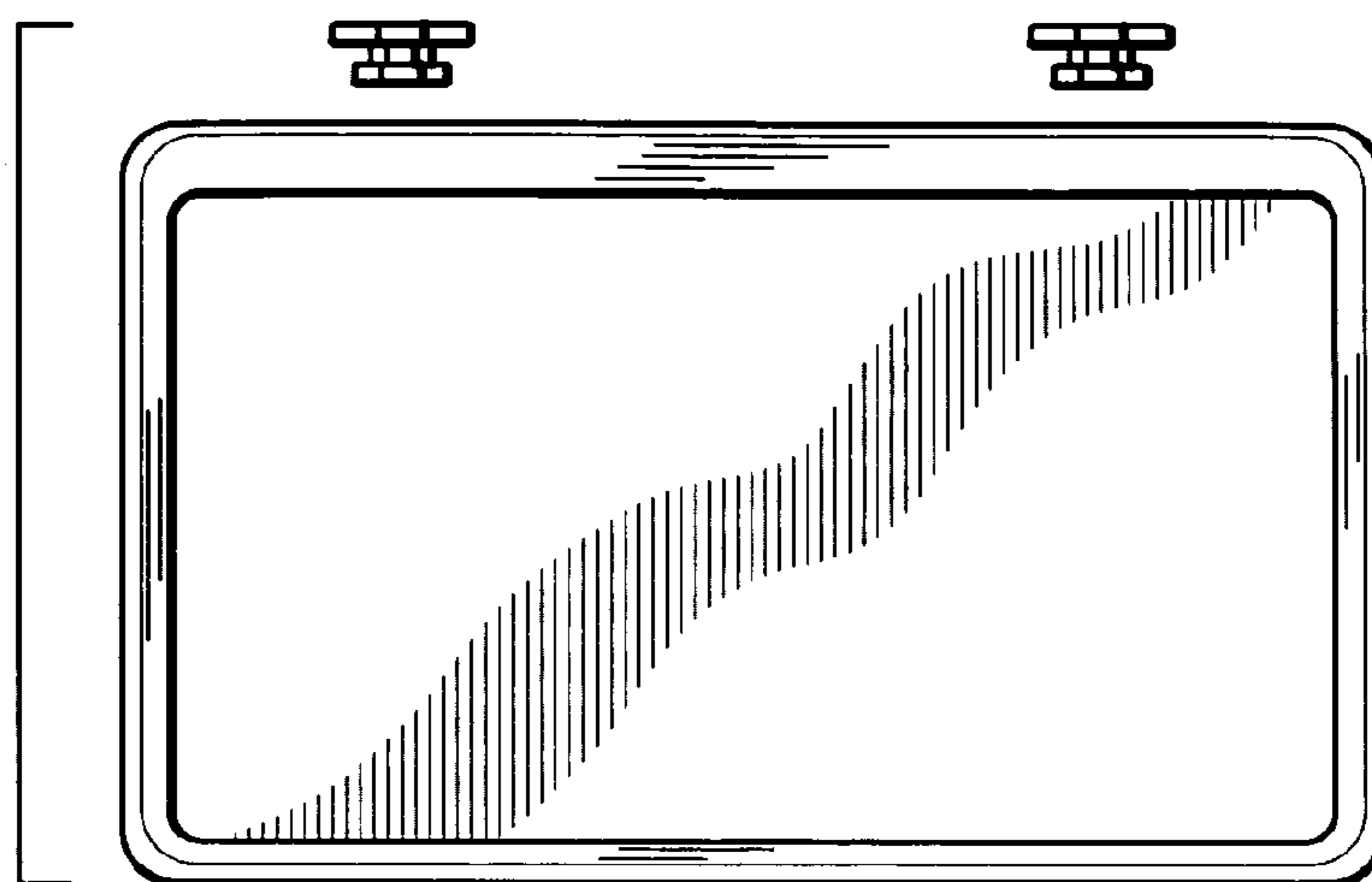


Fig. 8

