



US00D640488S

(12) **United States Design Patent**  
**Didehvar et al.**

(10) **Patent No.:** **US D640,488 S**  
(45) **Date of Patent:** **\*\* Jun. 28, 2011**

- (54) **SHOWER CADDY**
- (75) Inventors: **Kaveh Didehvar**, Hockessin, DE (US);  
**Joseph Vaccaro**, West Chester, PA (US)
- (73) Assignee: **Zenith Products Corporation**, New  
Castle, DE (US)
- (\*\*) Term: **14 Years**
- (21) Appl. No.: **29/381,228**
- (22) Filed: **Dec. 16, 2010**
- (51) **LOC (9) Cl.** ..... **23-02**
- (52) **U.S. Cl.** ..... **D6/525**
- (58) **Field of Classification Search** ..... D6/524,  
D6/525, 566, 536, 540; 211/13.1, 74, 71.01,  
211/86.01, 75, 88.01, 90.01, 90.03, 106,  
211/119, 126.1, 133.5, 181.1, 134  
See application file for complete search history.

D568,657 S	5/2008	Snider	
D572,061 S	7/2008	Snider	
D572,062 S	7/2008	Snider	
D575,087 S *	8/2008	Ghiorghie	D6/525
7,571,822 B2	8/2009	Metcalf	
D603,198 S	11/2009	Guindi	
D615,333 S *	5/2010	Snell	D6/525
D617,128 S	6/2010	Guindi	
D628,000 S *	11/2010	Lindo	D6/525
D630,035 S *	1/2011	Snider	D6/525
2008/0000859 A1	1/2008	Yang et al.	
2008/0035592 A1	2/2008	Yang et al.	
2009/0188880 A1	7/2009	Yang et al.	
2010/0102014 A1	4/2010	Yang	

\* cited by examiner

*Primary Examiner* — Brian N Vinson  
(74) *Attorney, Agent, or Firm* — Panitch Schwarze Belisario  
& Nadel LLP

(57) **CLAIM**  
The ornamental design for a shower caddy, as shown and described.

(56) **References Cited**

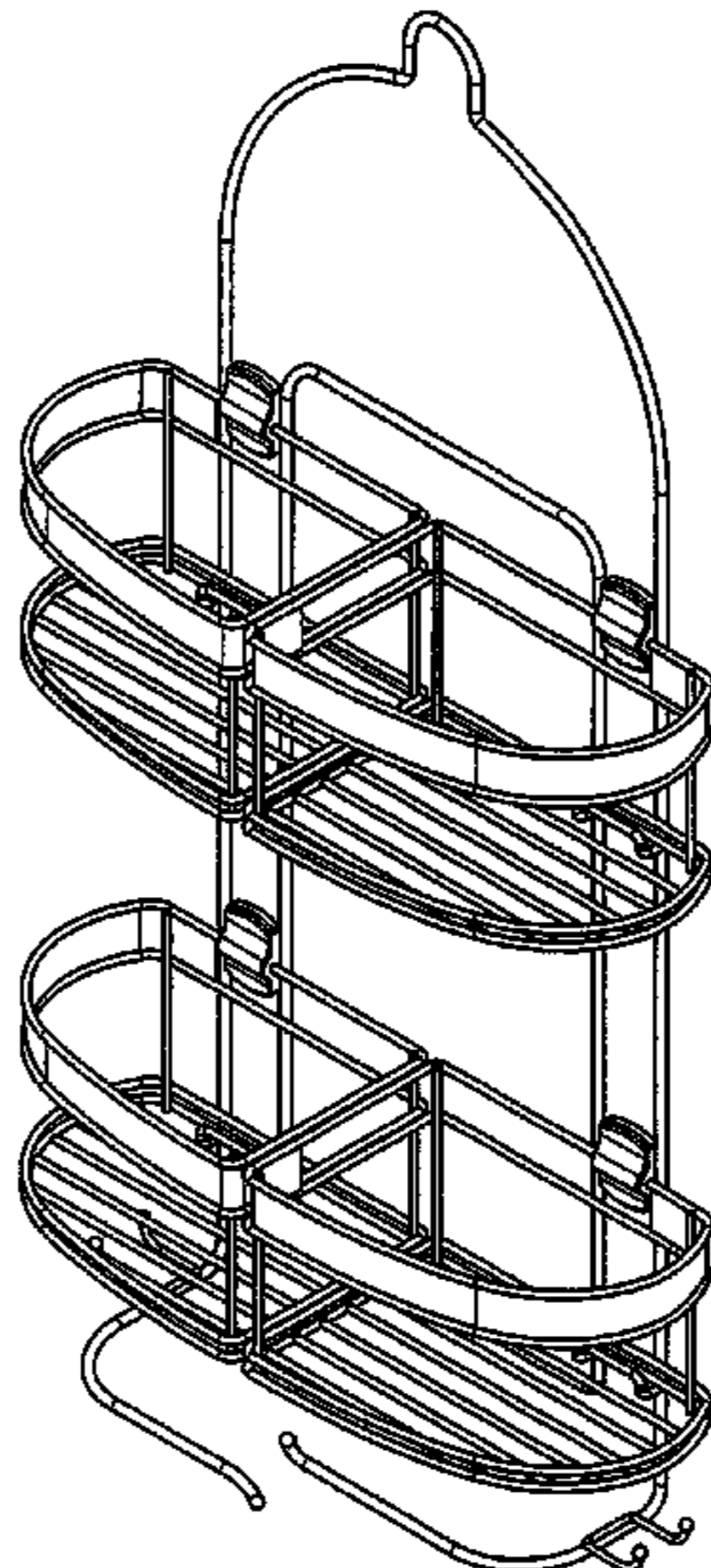
U.S. PATENT DOCUMENTS

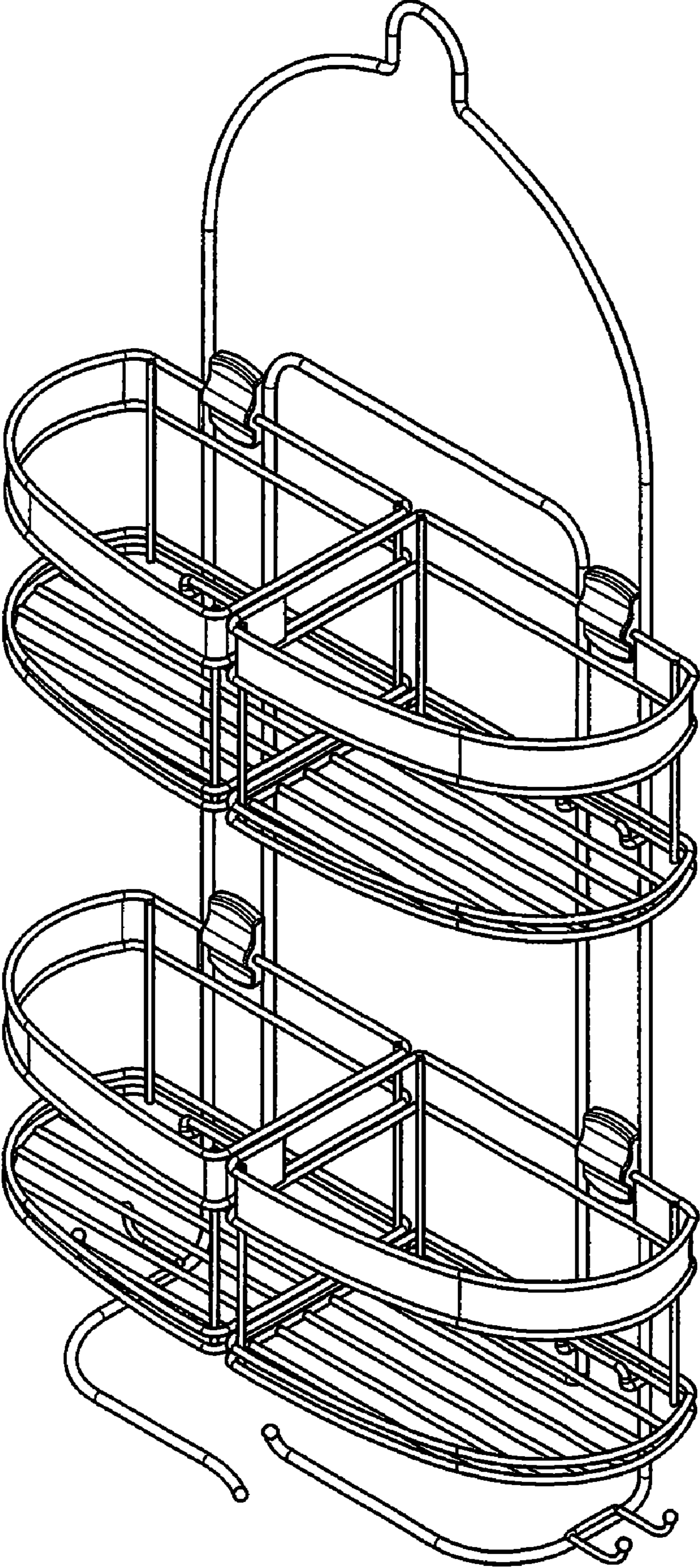
4,541,131 A	9/1985	Sussman	
5,255,401 A	10/1993	Sambrookes et al.	
5,588,543 A	12/1996	Finger	
D396,157 S	7/1998	Hofman	
D397,567 S	9/1998	Hofman	
D446,670 S	8/2001	Emery et al.	
6,520,351 B1	2/2003	Zadro	
D473,411 S	4/2003	Walker	
6,581,790 B1	6/2003	Zadro	
D479,073 S	9/2003	Snell	
D479,074 S *	9/2003	Snell	D6/525
D512,861 S	12/2005	Rosen	
D552,391 S	10/2007	Rosen	
D552,393 S	10/2007	Rosen	
D557,050 S	12/2007	Dretzka	
D562,608 S	2/2008	Kramer	
D564,271 S	3/2008	Snider	
D564,816 S	3/2008	Snider	
D566,439 S *	4/2008	Dretzka	D6/525
D566,441 S	4/2008	Dretzka	

**DESCRIPTION**

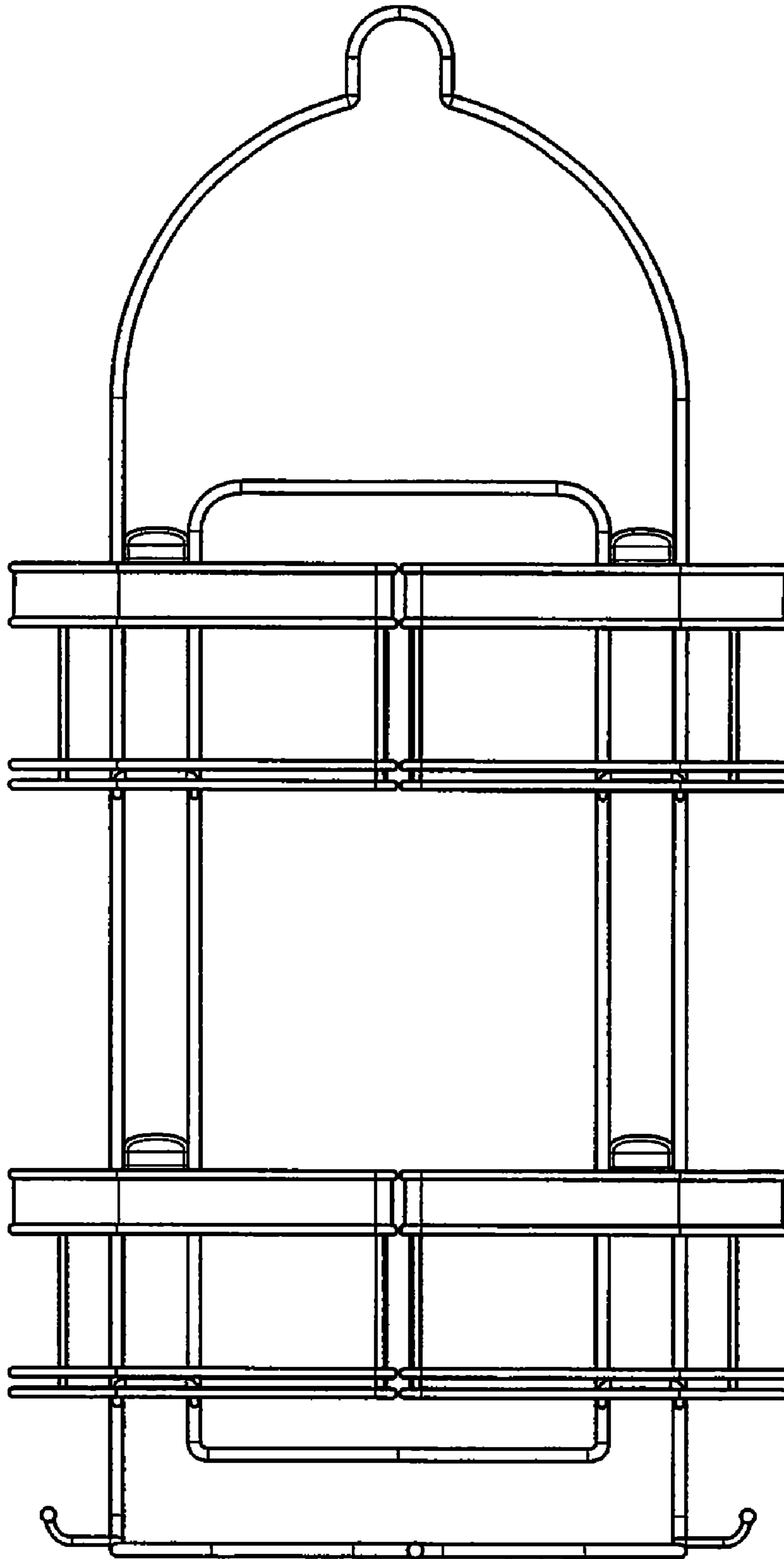
FIG. 1 is a front perspective view of the shower caddy, showing our design in a closed position;  
FIG. 2 is a front elevational view thereof;  
FIG. 3 is a rear elevation view thereof;  
FIG. 4 is a left side elevational view thereof;  
FIG. 5 is a right side elevational view thereof;  
FIG. 6 is a top plan view thereof; and  
FIG. 7 is a bottom plan view thereof.  
FIG. 8 is a front perspective view of the shower caddy, showing our design in an open position;  
FIG. 9 is a front elevational view thereof;  
FIG. 10 is a rear elevation view thereof;  
FIG. 11 is a left side elevational view thereof;  
FIG. 12 is a right side elevational view thereof;  
FIG. 13 is a top plan view thereof; and  
FIG. 14 is a bottom plan view thereof.

**1 Claim, 10 Drawing Sheets**

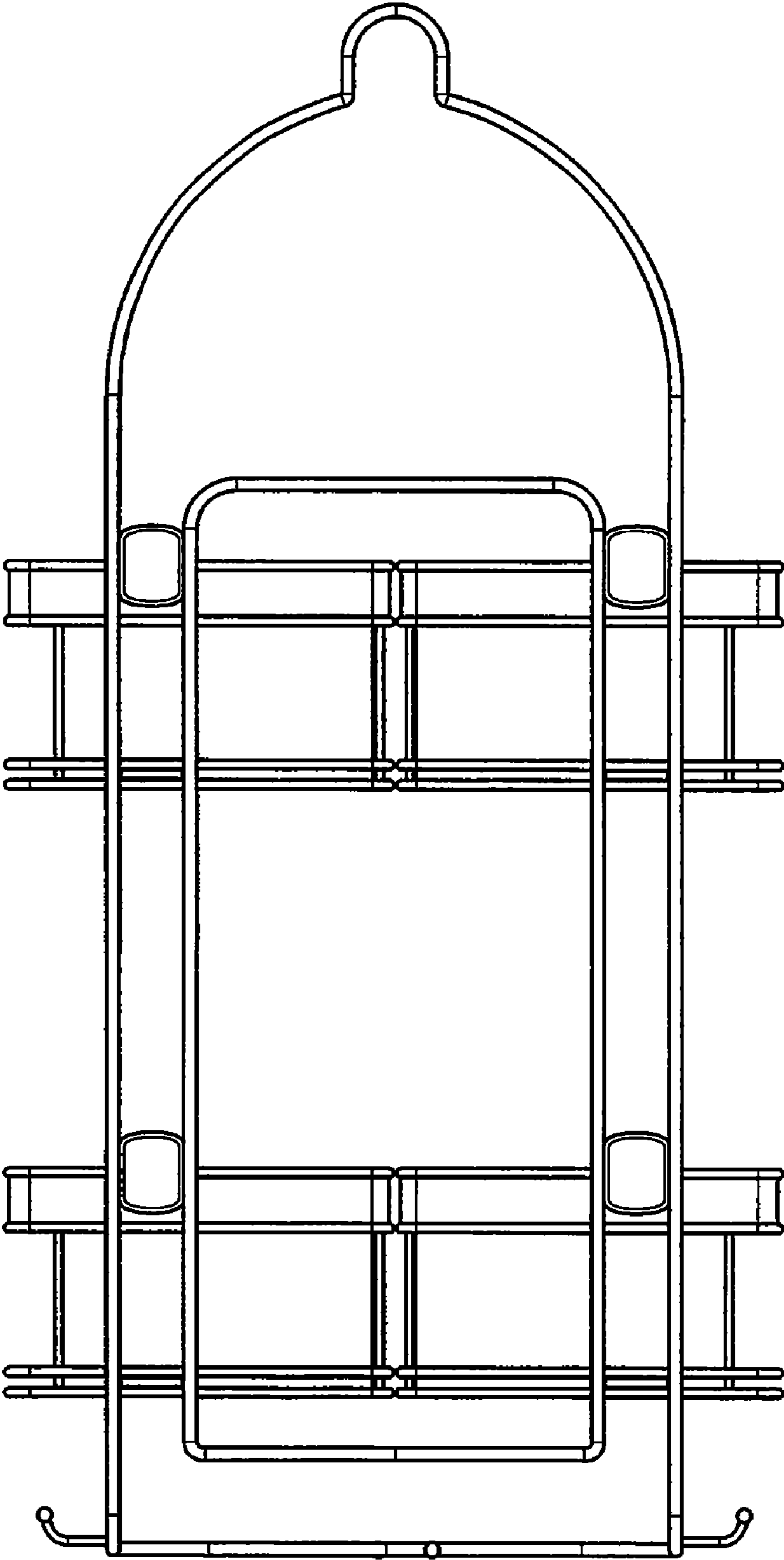




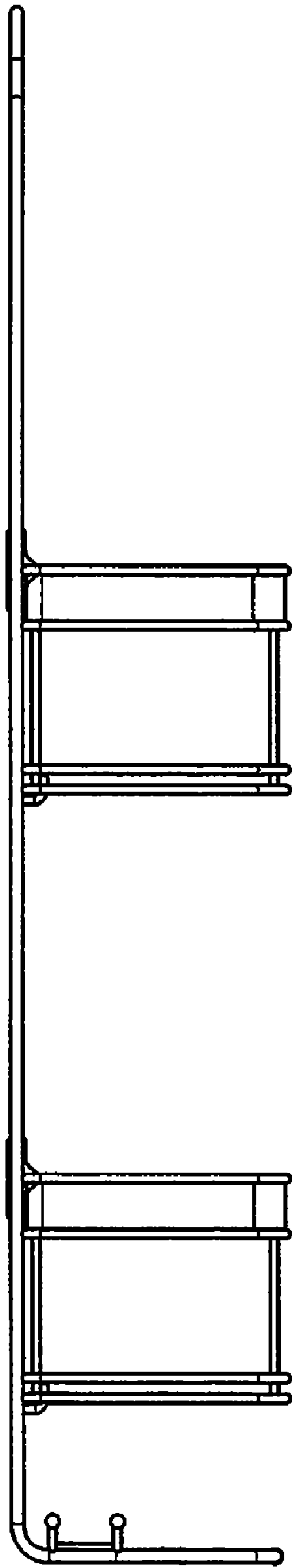
**FIG. 1**



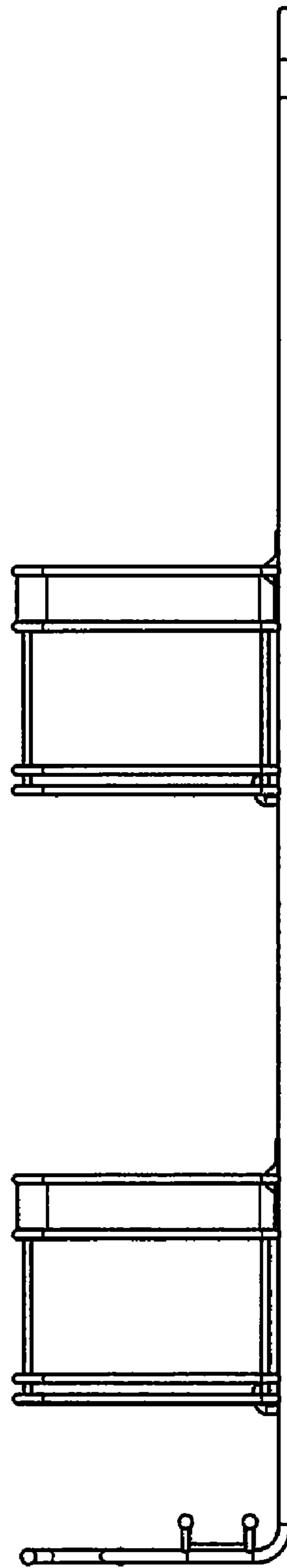
**FIG. 2**



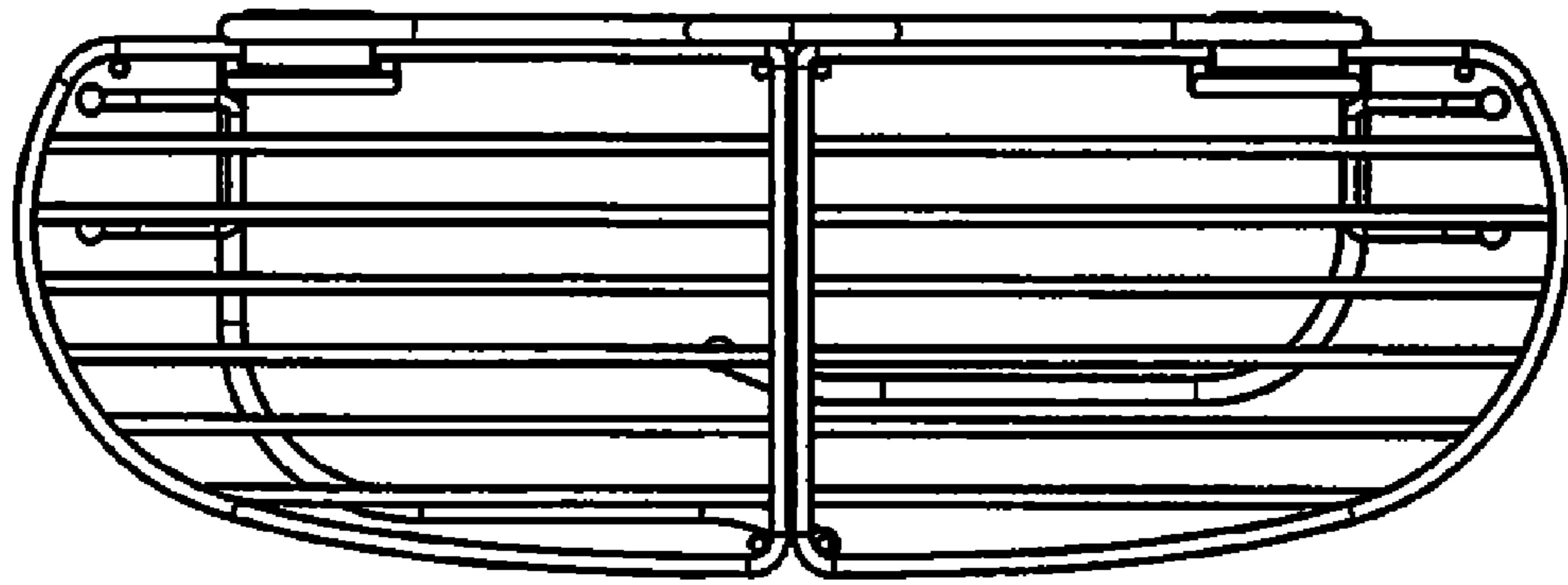
**FIG. 3**



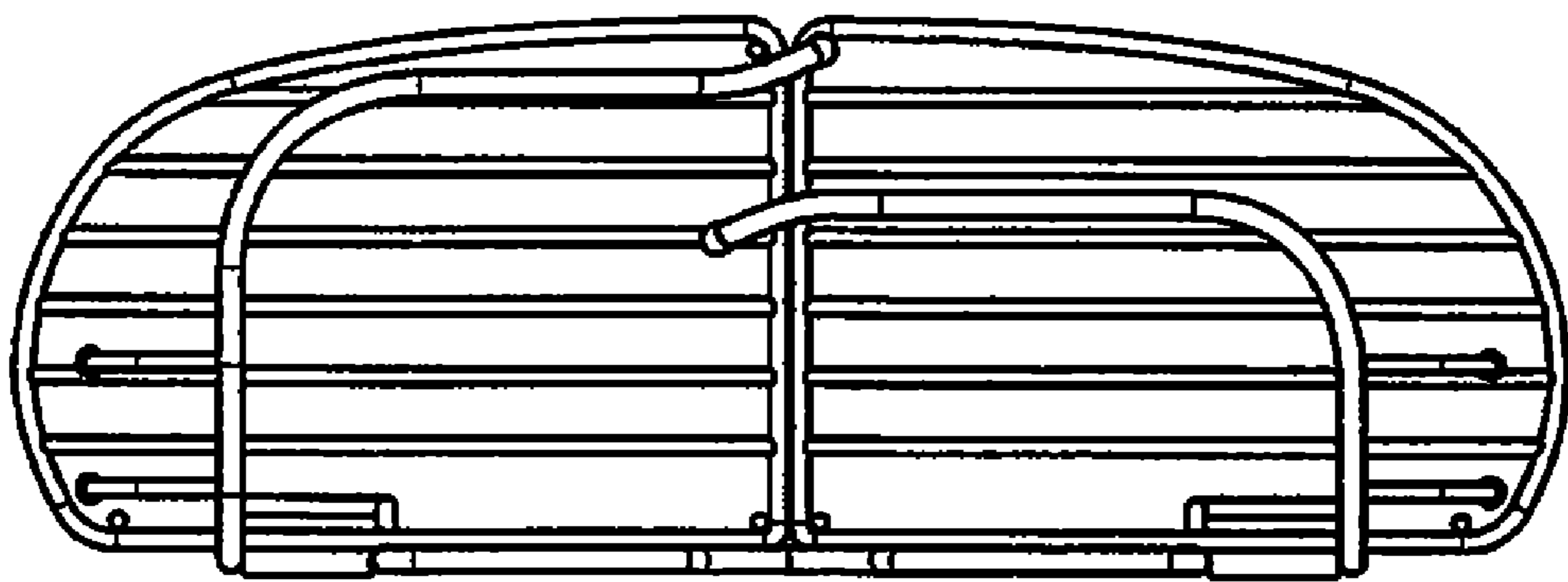
**FIG. 4**



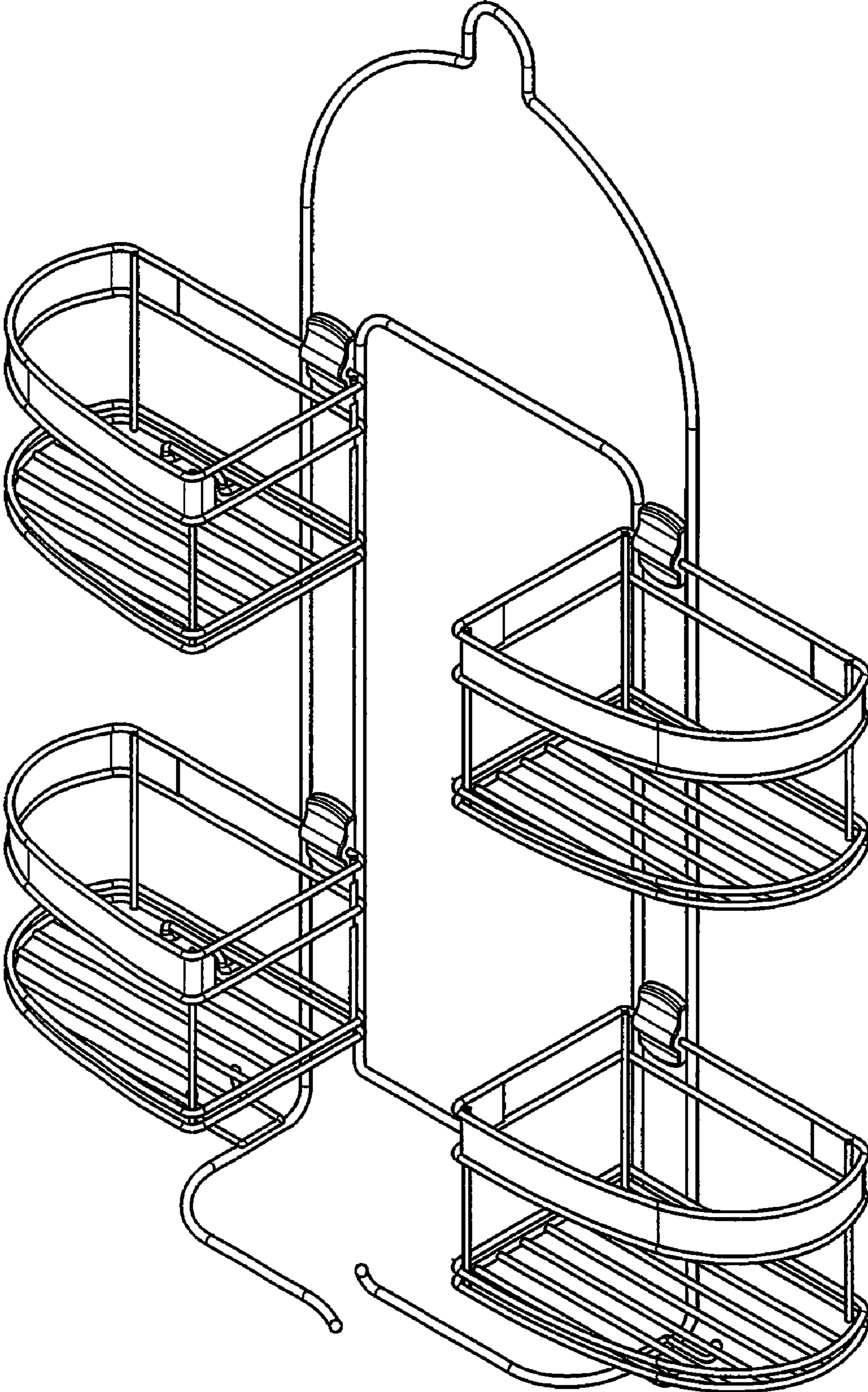
**FIG. 5**



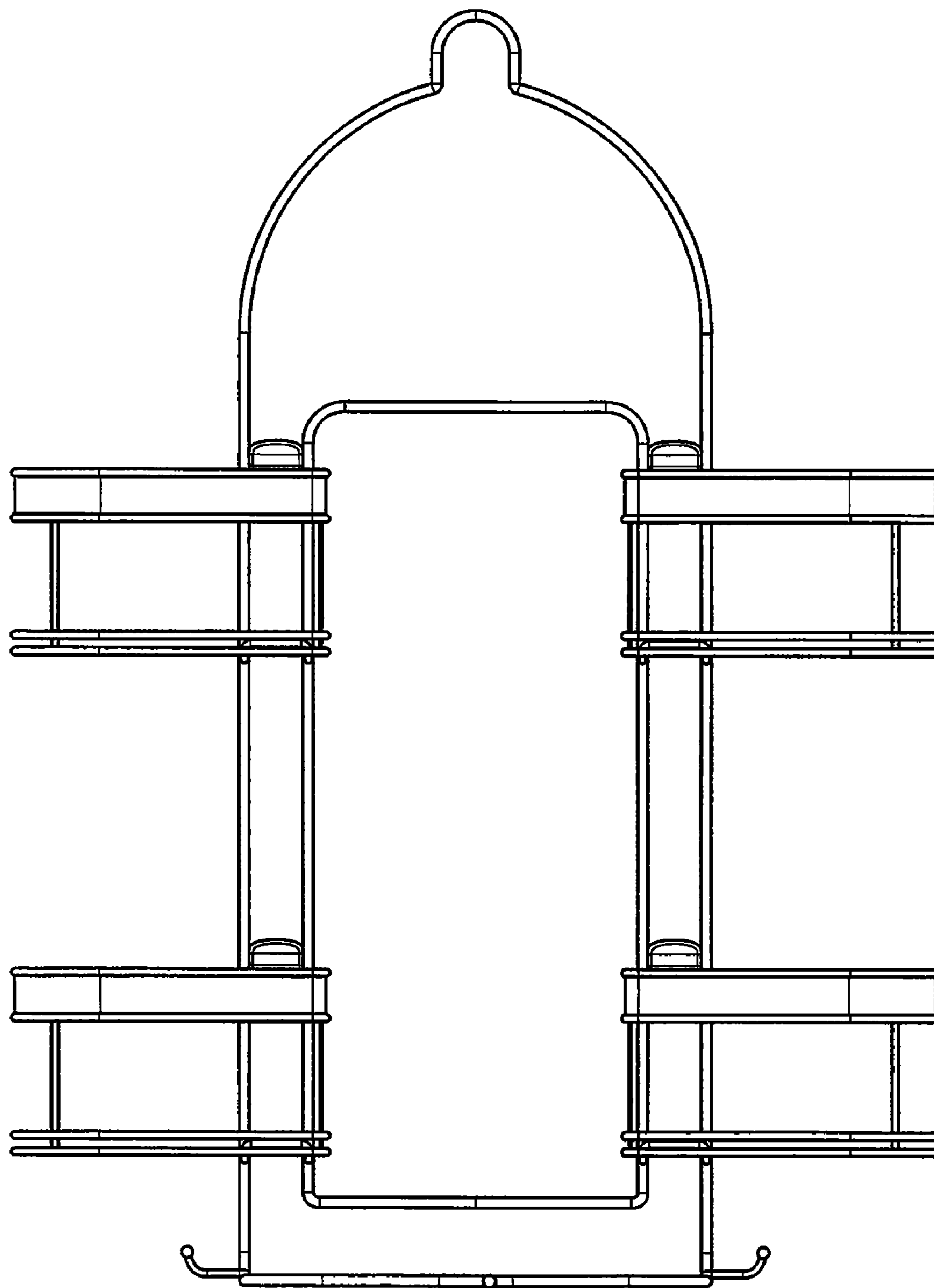
**FIG. 6**



**FIG. 7**



**FIG. 8**



**FIG. 9**



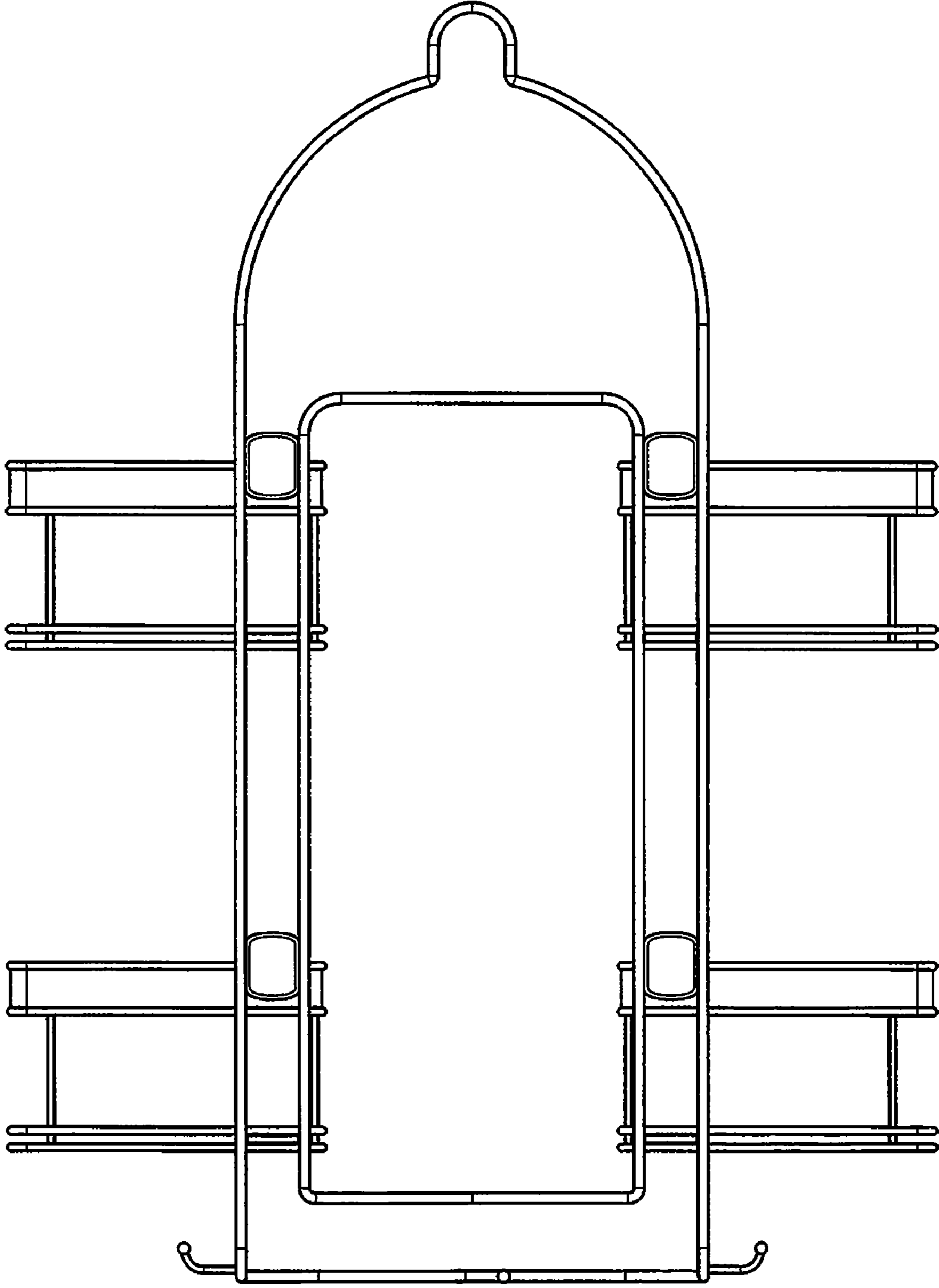
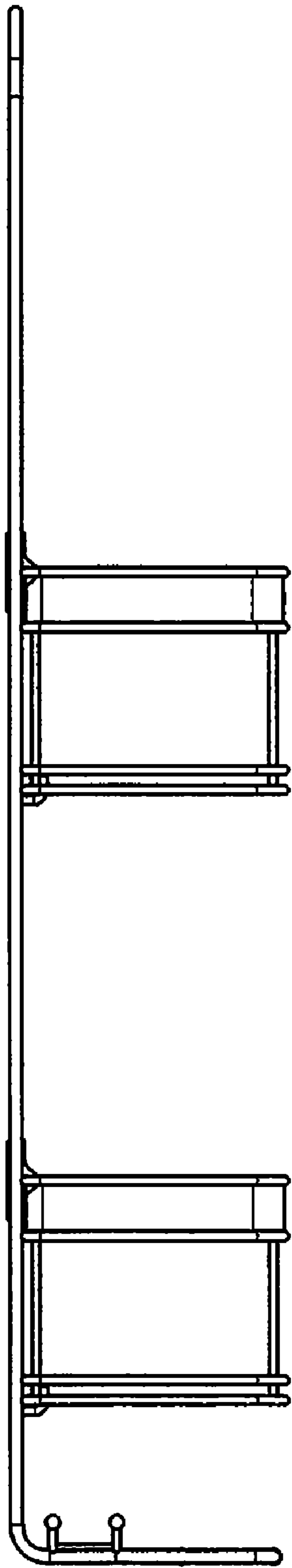
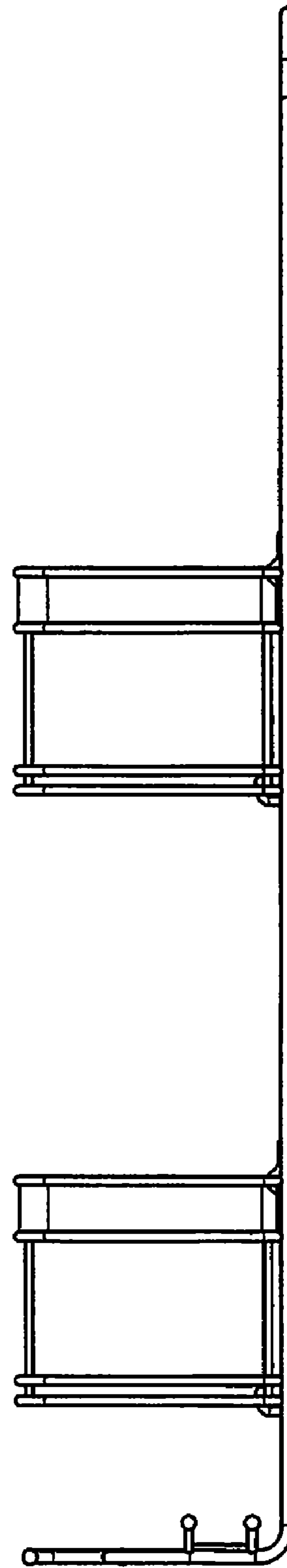


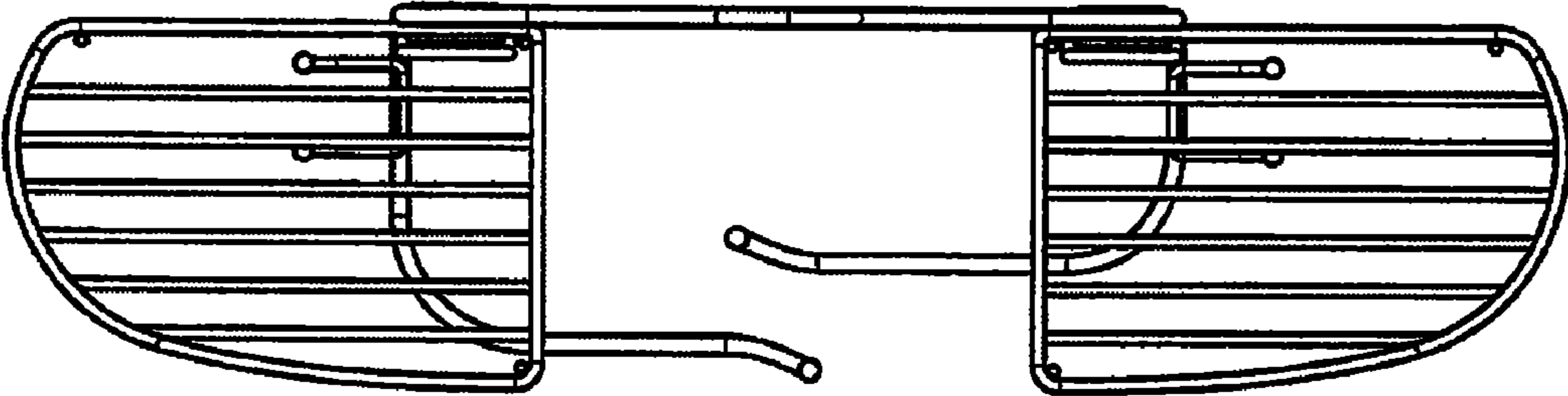
FIG. 10



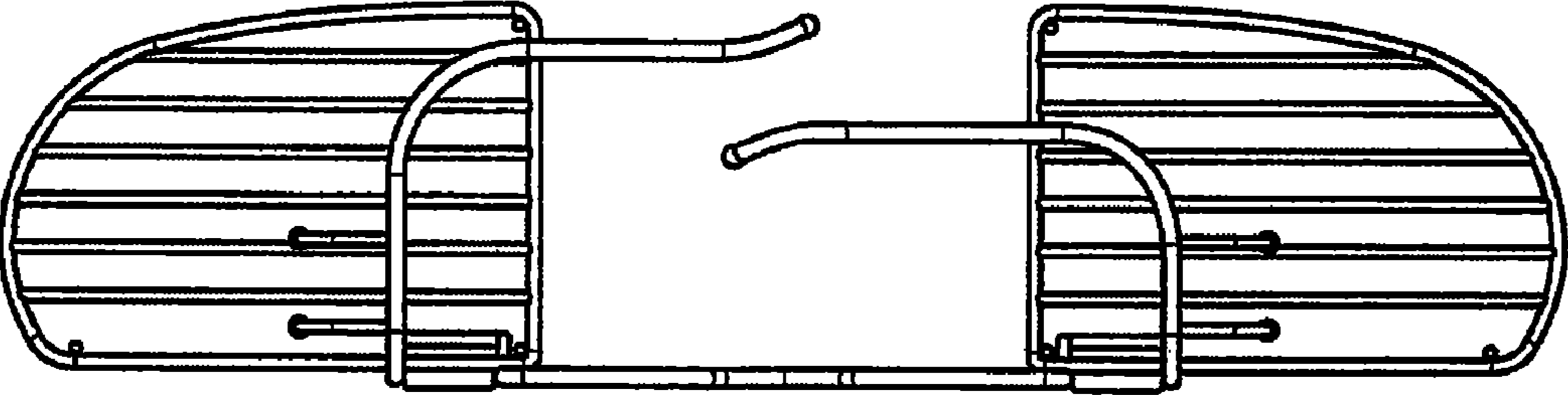
**FIG. 11**



**FIG. 12**



**FIG. 13**



**FIG. 14**