



US00D640487S

(12) **United States Design Patent**
Bennett

(10) **Patent No.:** **US D640,487 S**

(45) **Date of Patent:** **** Jun. 28, 2011**

(54) **TABLE TOP**

(75) Inventor: **Joel Bennett**, Clinton, UT (US)

(73) Assignee: **Lifetime Products, Inc.**, Clearfield, UT (US)

(**) Term: **14 Years**

(21) Appl. No.: **29/361,110**

(22) Filed: **May 5, 2010**

(51) **LOC (9) Cl.** **06-06**

(52) **U.S. Cl.** **D6/511**

(58) **Field of Classification Search** D6/480-489,
D6/495-499, 429-431, 451; 108/153.1,
108/156, 157.1, 161, 125, 126, 129; 248/188,
248/188.1, 188.7, 188.8
See application file for complete search history.

(56) **References Cited**

U.S. PATENT DOCUMENTS

D414,626 S	10/1999	Collins et al.	
D419,332 S	1/2000	Collins et al.	
D420,527 S *	2/2000	Pinch et al.	D6/429
6,058,853 A *	5/2000	Pinch	108/129
D468,135 S	1/2003	Ashby et al.	
D469,271 S *	1/2003	Avrahami	D6/429
D469,996 S	2/2003	Ashby	
D470,352 S	2/2003	Strong	
D485,719 S	1/2004	Ashby et al.	
D486,329 S	2/2004	Strong et al.	
D487,205 S	3/2004	Mower et al.	
D488,337 S	4/2004	Strong	
D489,557 S	5/2004	Strong et al.	
D489,922 S	5/2004	Choi et al.	
D489,925 S	5/2004	Astle	
D490,261 S	5/2004	Astle et al.	
6,752,091 B2 *	6/2004	Glover et al.	108/168
D495,909 S	9/2004	Astle	
D498,622 S	11/2004	Neunzert	
6,817,662 B2	11/2004	Winter et al.	
D499,283 S	12/2004	Winter et al.	

D501,103 S	1/2005	Ashby et al.
D502,028 S	2/2005	Astle
D506,631 S	6/2005	Astle
6,905,166 B2	6/2005	Zhurong et al.
D509,386 S	9/2005	Haney
D511,417 S	11/2005	Astle et al.

(Continued)

Primary Examiner — Janice Seeger

(74) *Attorney, Agent, or Firm* — Maschoff Gilmore & Israelsen

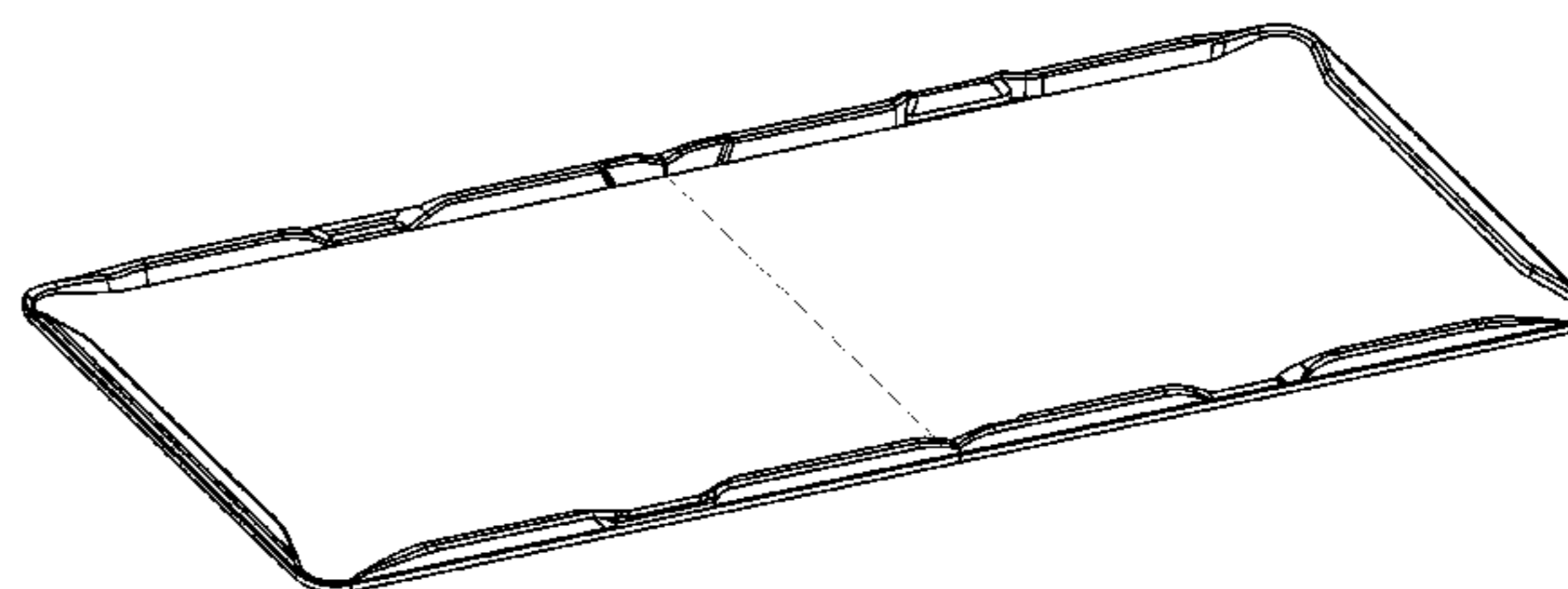
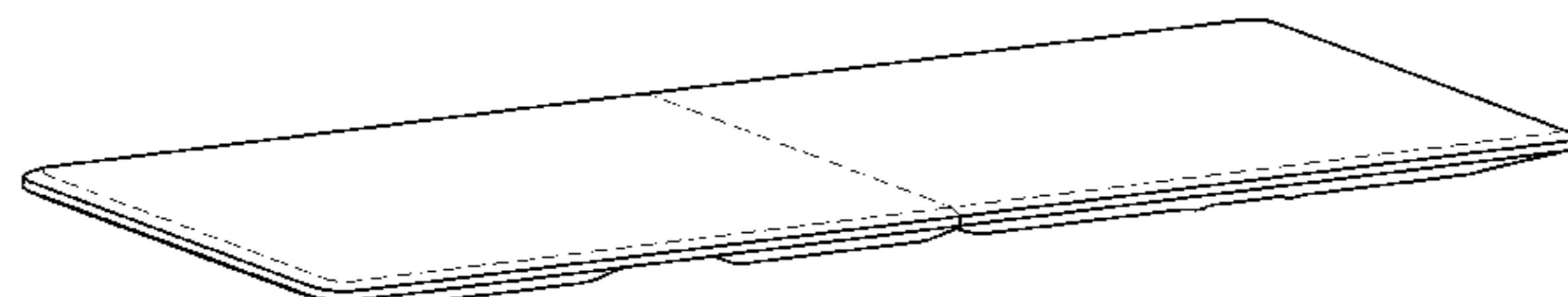
(57) **CLAIM**

The ornamental design for a table top, as shown and described.

DESCRIPTION

FIG. 1 is a upper perspective view of an embodiment of the table top;
 FIG. 2 is a lower perspective view of the table top shown in FIG. 1;
 FIG. 3 is a rear view of the table top shown in FIG. 1;
 FIG. 4 is a left side view of the table top shown in FIG. 1;
 FIG. 5 is a top view of the table top shown in FIG. 1;
 FIG. 6 is a right side view of the table top shown in FIG. 1;
 FIG. 7 is a front view of the table top shown in FIG. 1;
 FIG. 8 is a bottom view of the table top shown in FIG. 1;
 FIG. 9 is a upper perspective view of another embodiment of the table top;
 FIG. 10 is a lower perspective view of the table top shown in FIG. 9;
 FIG. 11 is a rear view of the table top shown in FIG. 9;
 FIG. 12 is a left side view of the table top shown in FIG. 9;
 FIG. 13 is a top view of the table top shown in FIG. 9;
 FIG. 14 is a right side view of the table top shown in FIG. 9;
 FIG. 15 is a front view of the table top shown in FIG. 9; and,
 FIG. 16 is a bottom view of the table top shown in FIG. 9.
 The broken lines shown in the figures are for illustrative purposes only and form no part of the claimed design.

1 Claim, 8 Drawing Sheets



US D640,487 S

Page 2

U.S. PATENT DOCUMENTS

D511,913 S	11/2005	Kearl et al.	7,461,601 B2	12/2008	Jin	
7,036,437 B2	5/2006	Choi et al.	7,461,602 B2	12/2008	Stanford	
7,055,899 B2	6/2006	Zhurong et al.	7,475,641 B2	1/2009	Jin	
7,096,799 B2	8/2006	Strong et al.	7,475,644 B2	1/2009	Strong et al.	
7,111,563 B2	9/2006	Strong	7,571,686 B2	8/2009	Stanford	
7,143,702 B2	12/2006	Stanford	7,634,970 B2	12/2009	Strong et al.	
7,178,468 B2	2/2007	Winter et al.	7,644,667 B2	1/2010	Strong et al.	
7,263,932 B2	9/2007	Winter et al.	7,707,947 B2	5/2010	Winter et al.	
7,278,361 B2	10/2007	Zhurong et al.	7,735,915 B2	6/2010	Nye et al.	
7,331,297 B2	2/2008	Strong et al.	7,757,617 B2	7/2010	Larcom et al.	
7,373,889 B2	5/2008	Nye et al.	2002/0092445 A1 *	7/2002	Glover et al.	108/129

* cited by examiner

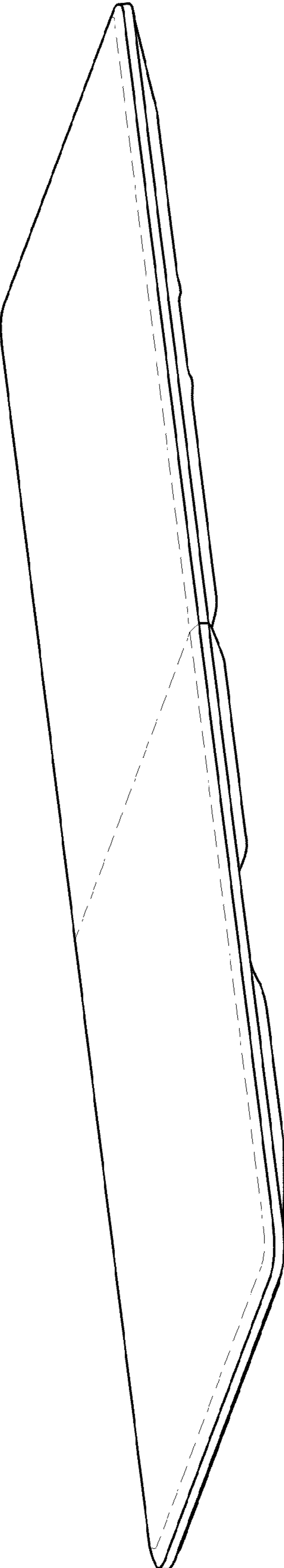


Fig. 1

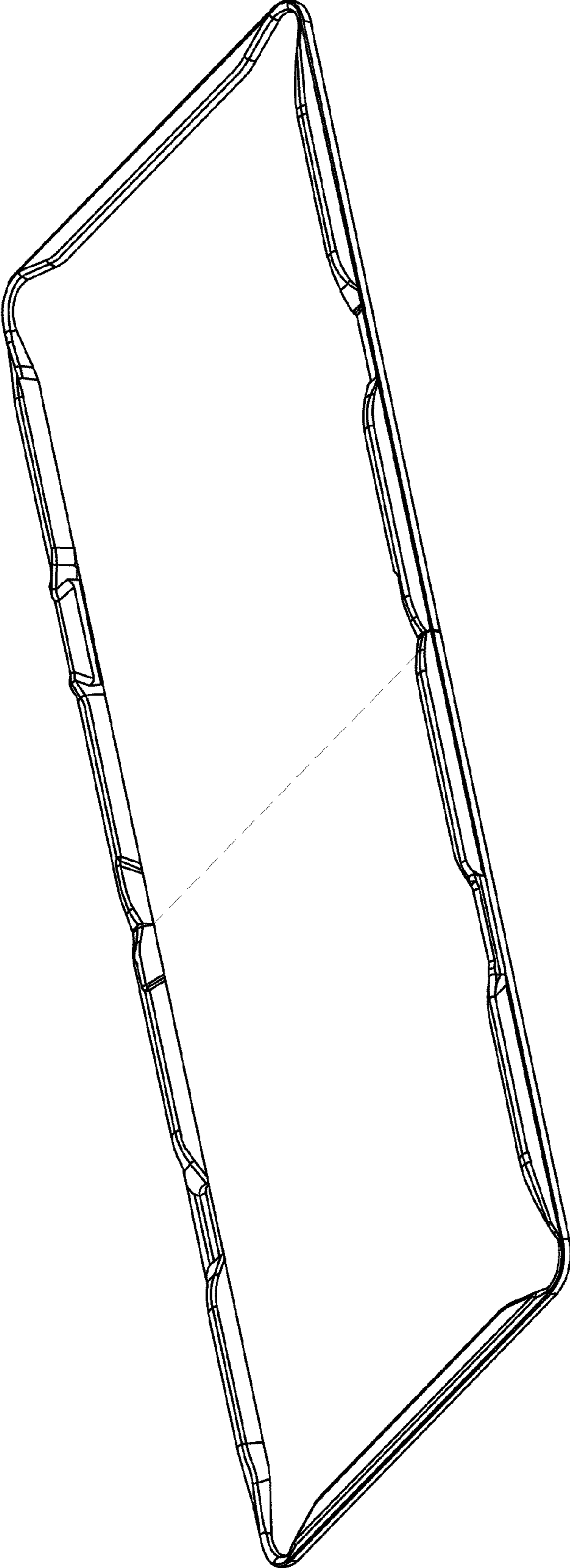


Fig. 2

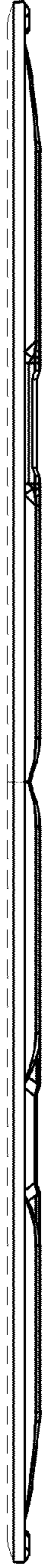


Fig. 3

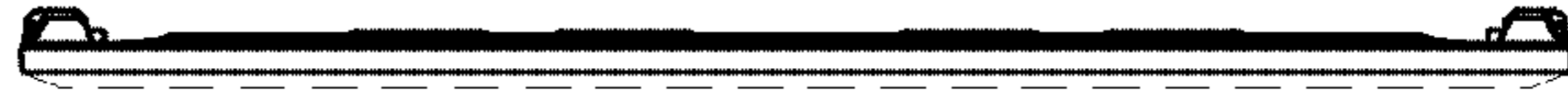


Fig. 6

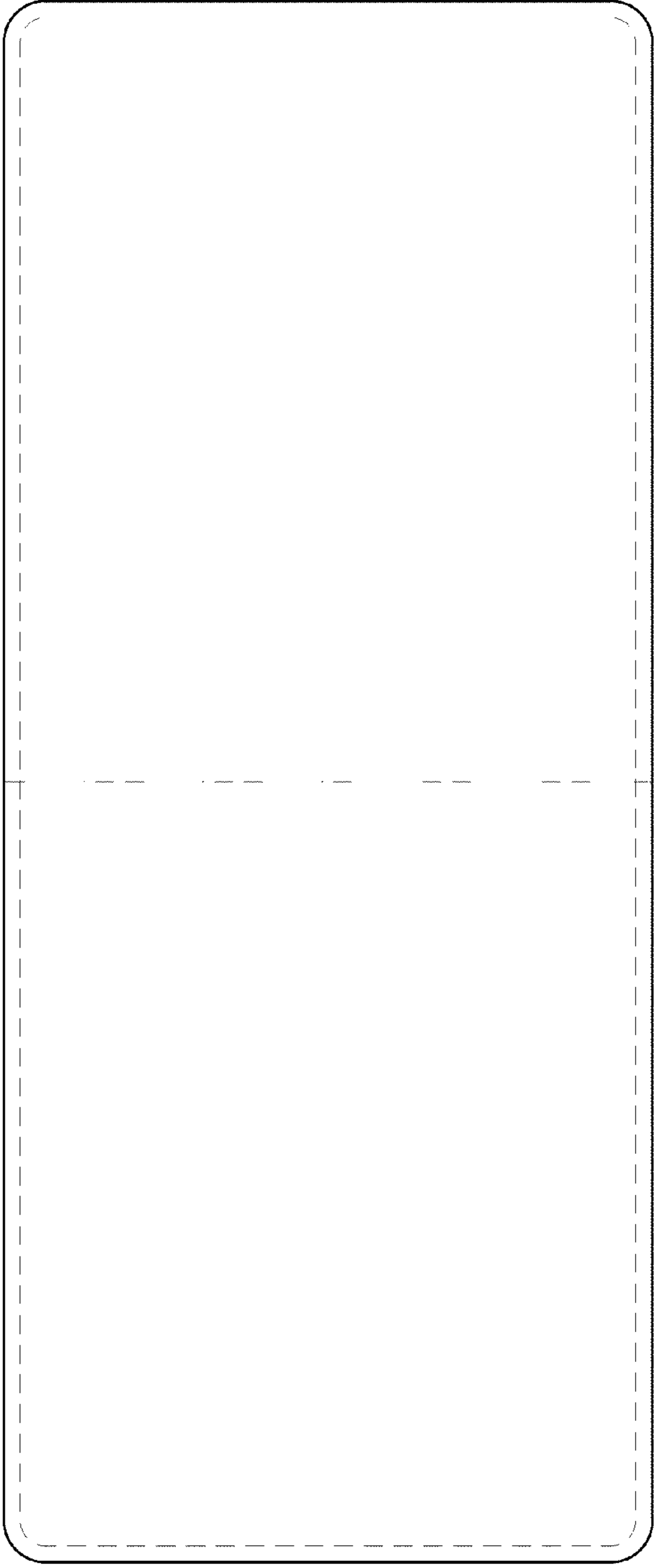


Fig. 5

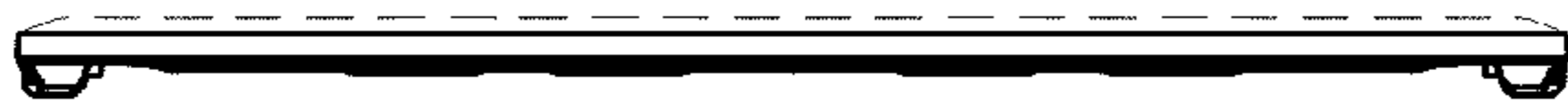


Fig. 4



Fig. 7

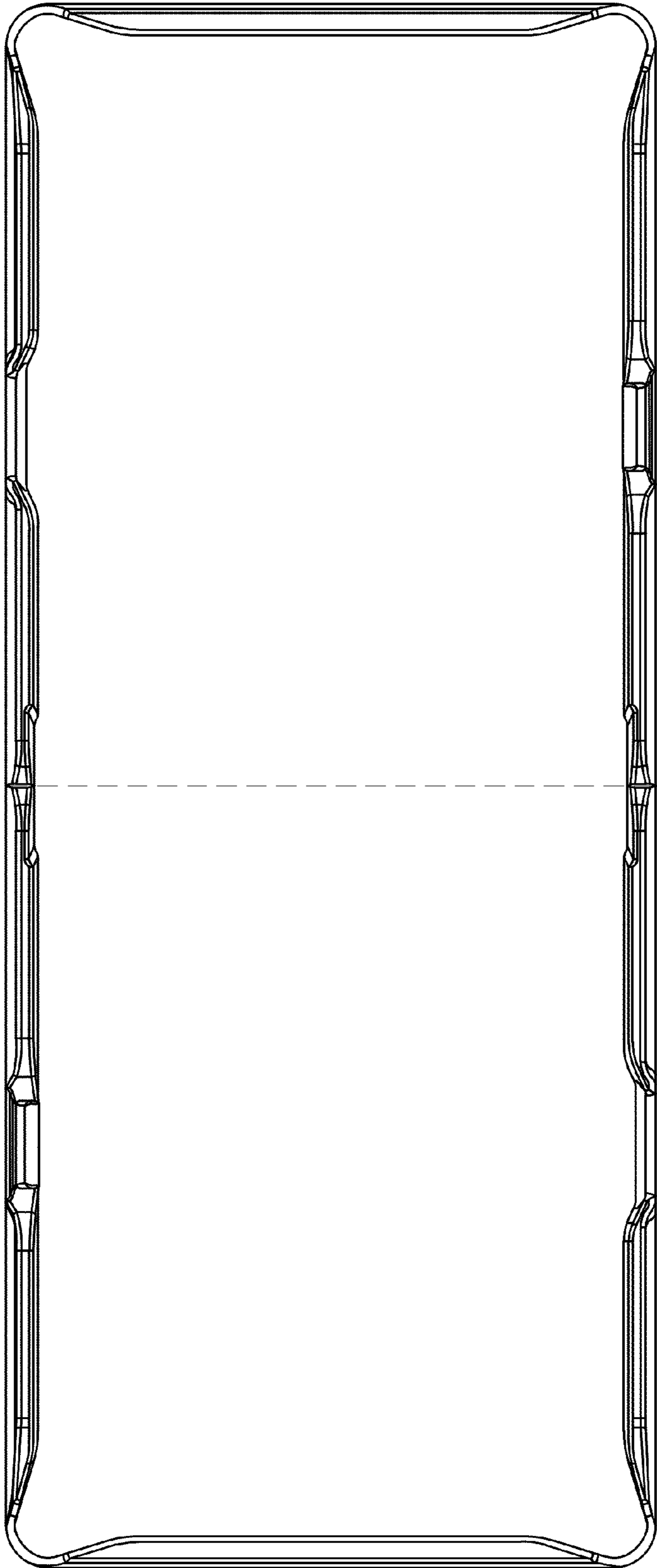


Fig. 8

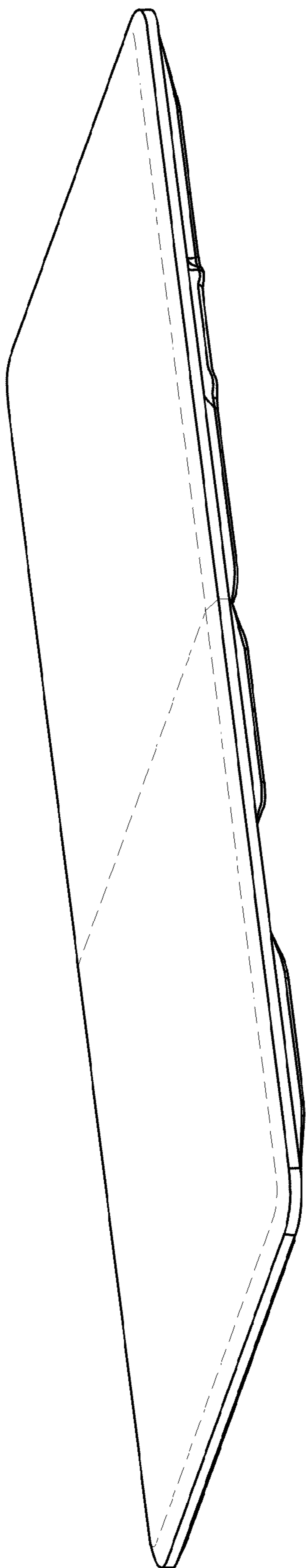


Fig. 9

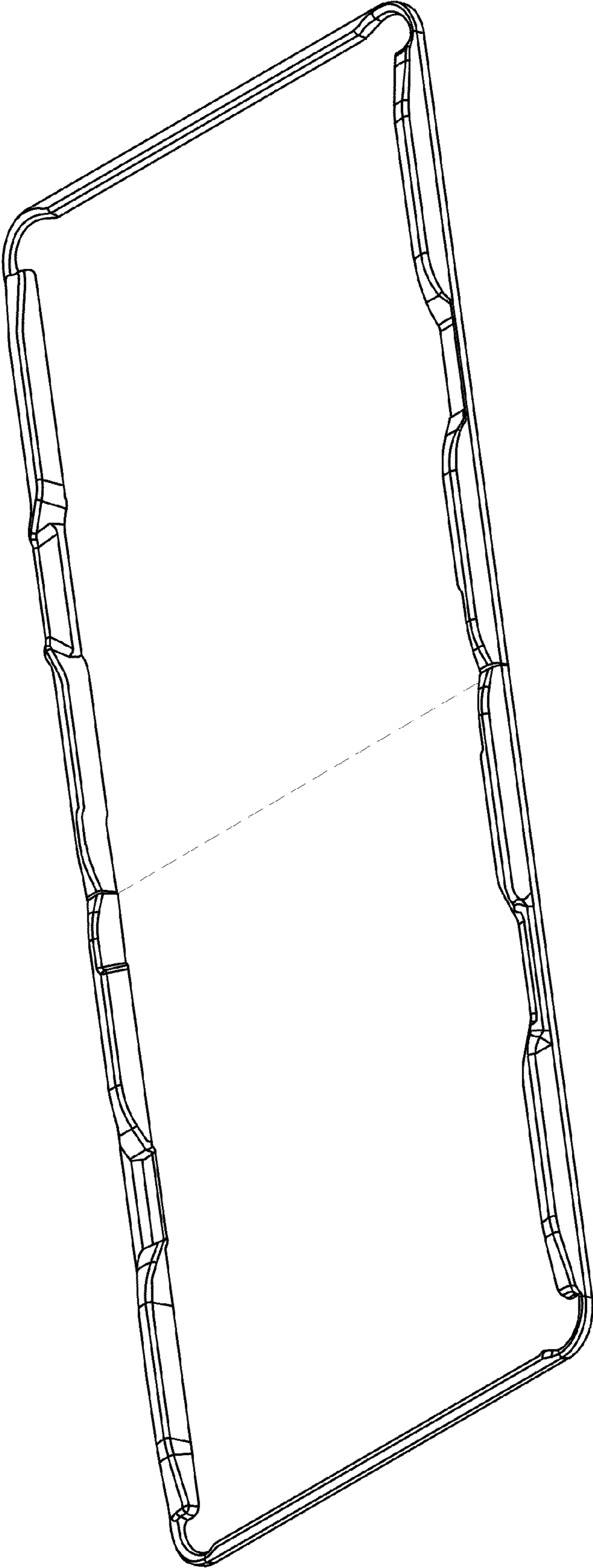


Fig. 10



Fig. 11



Fig. 14

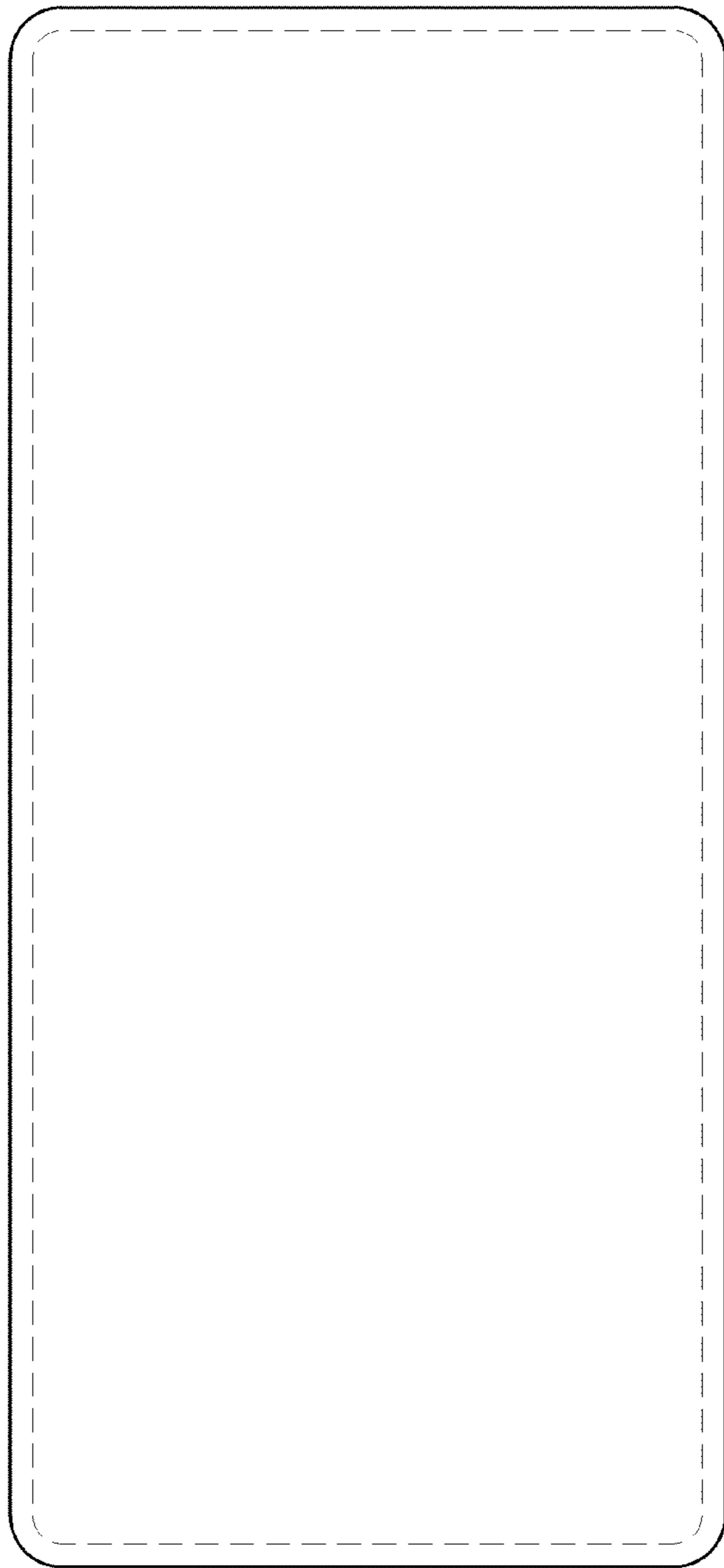


Fig. 12

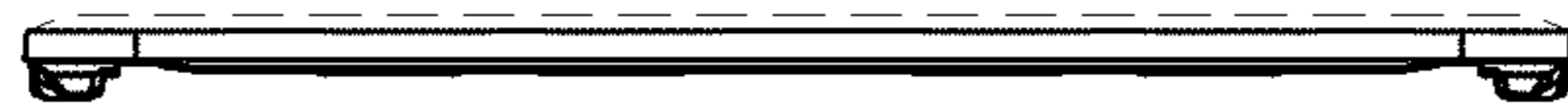


Fig. 13



Fig. 15

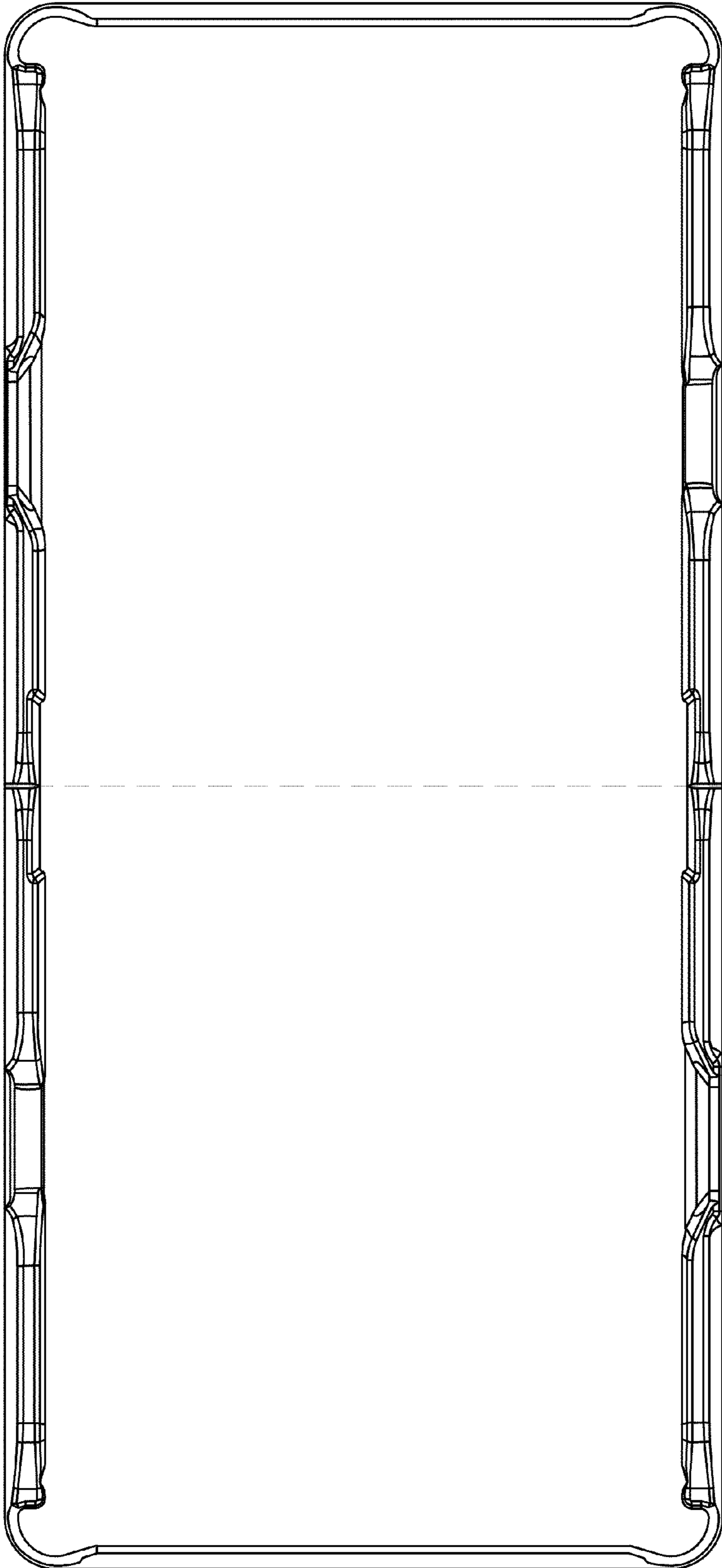


Fig. 16

UNITED STATES PATENT AND TRADEMARK OFFICE
CERTIFICATE OF CORRECTION

PATENT NO. : D640,487 S
APPLICATION NO. : 29/361110
DATED : June 28, 2011
INVENTOR(S) : Joel Bennett

Page 1 of 1

It is certified that error appears in the above-identified patent and that said Letters Patent is hereby corrected as shown below:

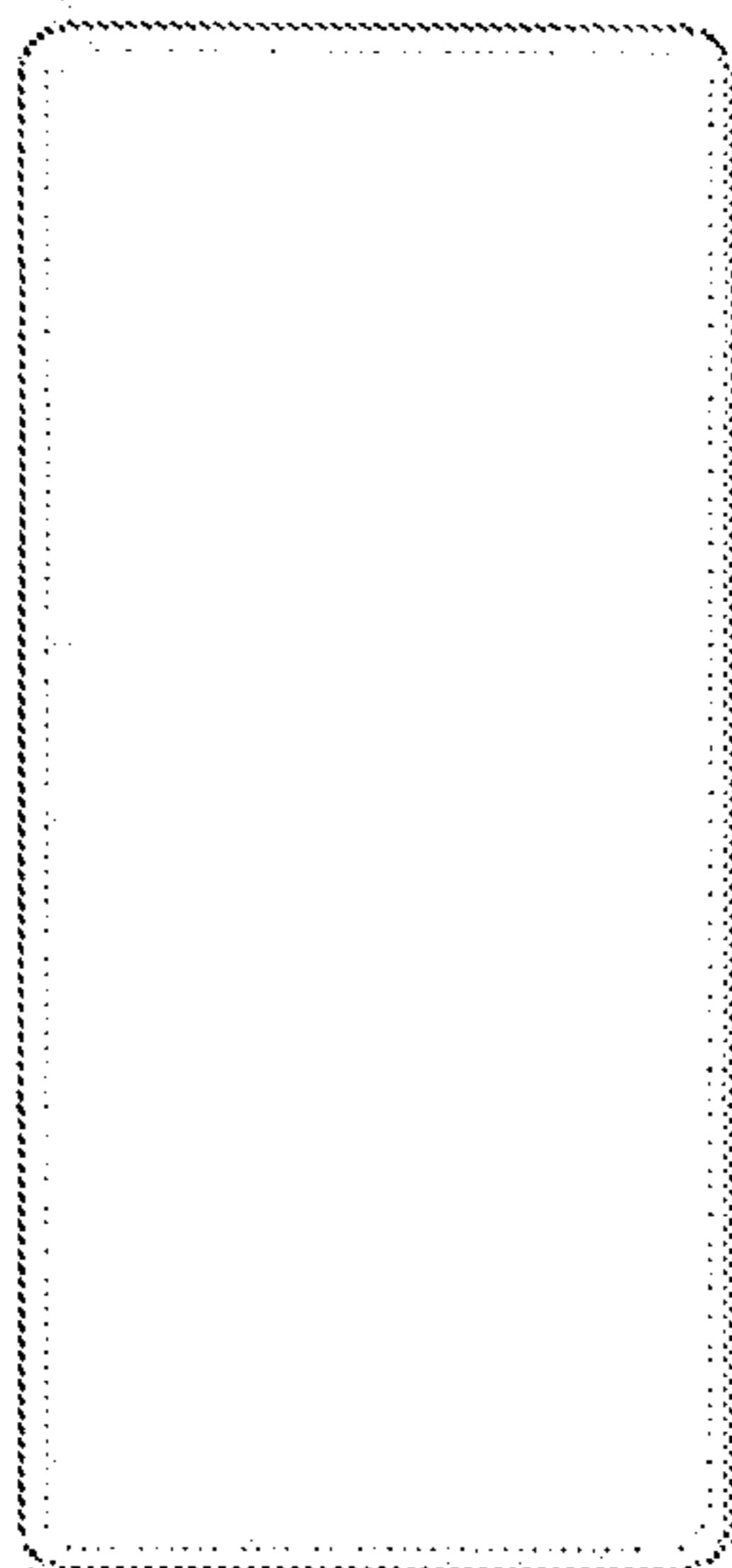


Fig. 13

Sheet 7, delete FIG. 13 “

” and insert --

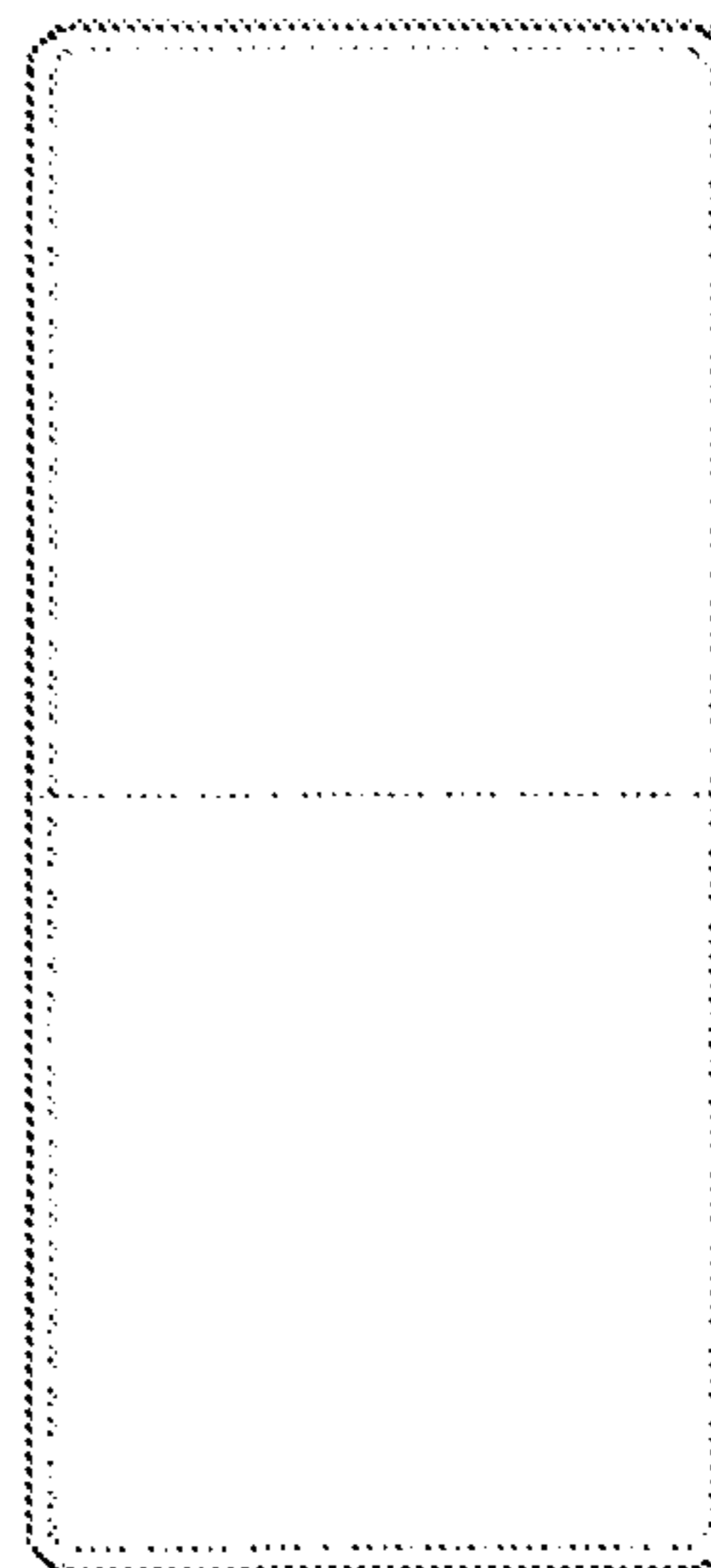
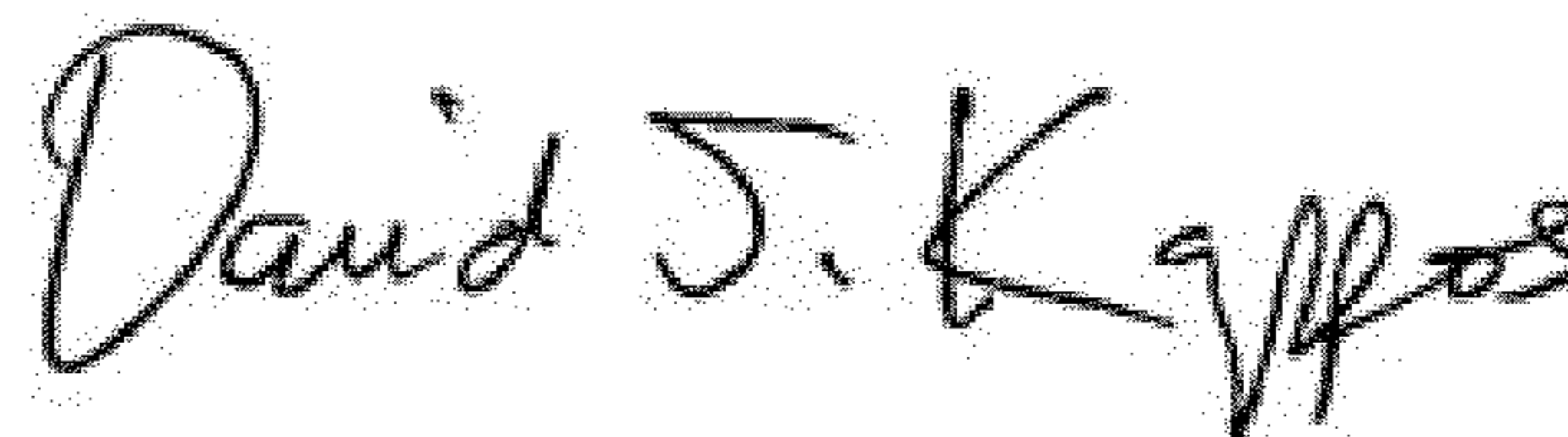


Fig. 13

--

Signed and Sealed this
First Day of May, 2012



David J. Kappos
Director of the United States Patent and Trademark Office