



US00D640486S

(12) **United States Design Patent**
Saelid

(10) **Patent No.:** **US D640,486 S**
(45) **Date of Patent:** **** Jun. 28, 2011**

(54) **TABLE**

D441,224 S * 5/2001 Scheper et al. D6/486
D611,737 S * 3/2010 Miller et al. D6/486
D615,324 S * 5/2010 Yamamoto D6/482

(75) Inventor: **Marianne Saelid**, Ikornnes (NO)

FOREIGN PATENT DOCUMENTS

(73) Assignee: **Ekornes ASA**, Ikornnes (NO)

TW 364780 7/1999

(**) Term: **14 Years**

OTHER PUBLICATIONS

(21) Appl. No.: **29/353,487**

Carsons tound end table at right.*
ClassiCon America, die Klassiker, Adjustable table E1027 by Eileen Gray 1927.*
Page 43 of "Product Design and Manufacture" published in 1995.

(22) Filed: **Jan. 8, 2010**

* cited by examiner

(30) **Foreign Application Priority Data**

Sep. 15, 2009 (NO) 20090463

Primary Examiner — Janice Seeger

(51) **LOC (9) Cl.** **06-03**

(74) *Attorney, Agent, or Firm* — Schneck & Schneck;
Thomas Schneck

(52) **U.S. Cl.** **D6/486; D6/487**

(58) **Field of Classification Search** D6/480-489,
D6/495-499, 429-431, 451; 108/153.1,
108/156, 157.1, 161; 248/188, 188.1, 188.7,
248/188.8

(57) **CLAIM**

I claim the ornamental design for a table, as shown.

See application file for complete search history.

DESCRIPTION

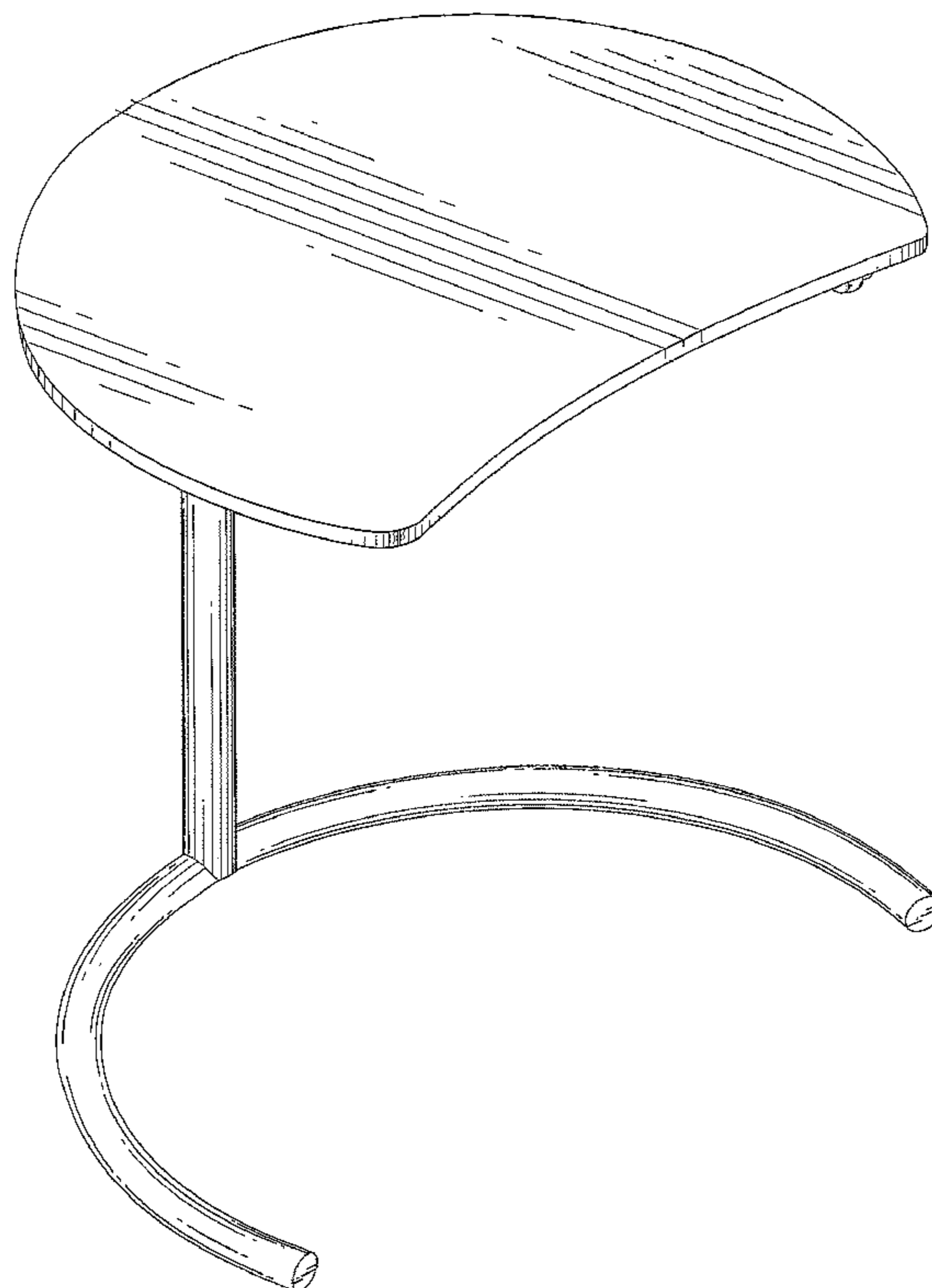
FIG. 1 is a perspective view of a table of my design;
FIG. 2 is a top view thereof;
FIG. 3 is a bottom view thereof;
FIG. 4 is a front elevation view thereof;
FIG. 5 is a back elevation view thereof;
FIG. 6 is a left side elevation view thereof; and,
FIG. 7 is a right side elevation view thereof.

(56) **References Cited**

U.S. PATENT DOCUMENTS

D178,425 S * 7/1956 Pollard D6/349
D207,958 S * 6/1967 Jakobsen D6/487
D314,878 S * 2/1991 Hart D6/486
D411,776 S * 7/1999 Epp D6/482

1 Claim, 4 Drawing Sheets



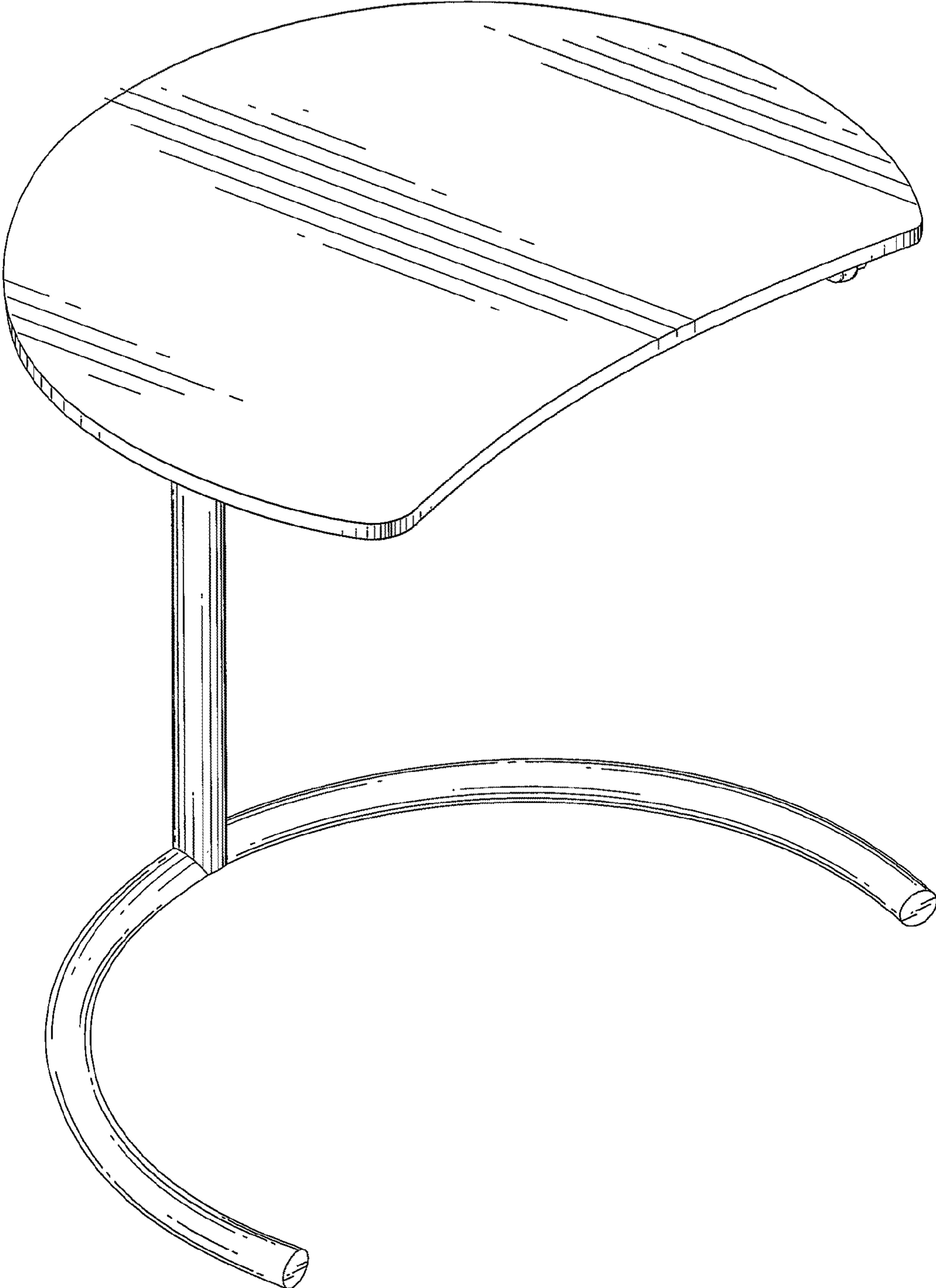


Fig. 1

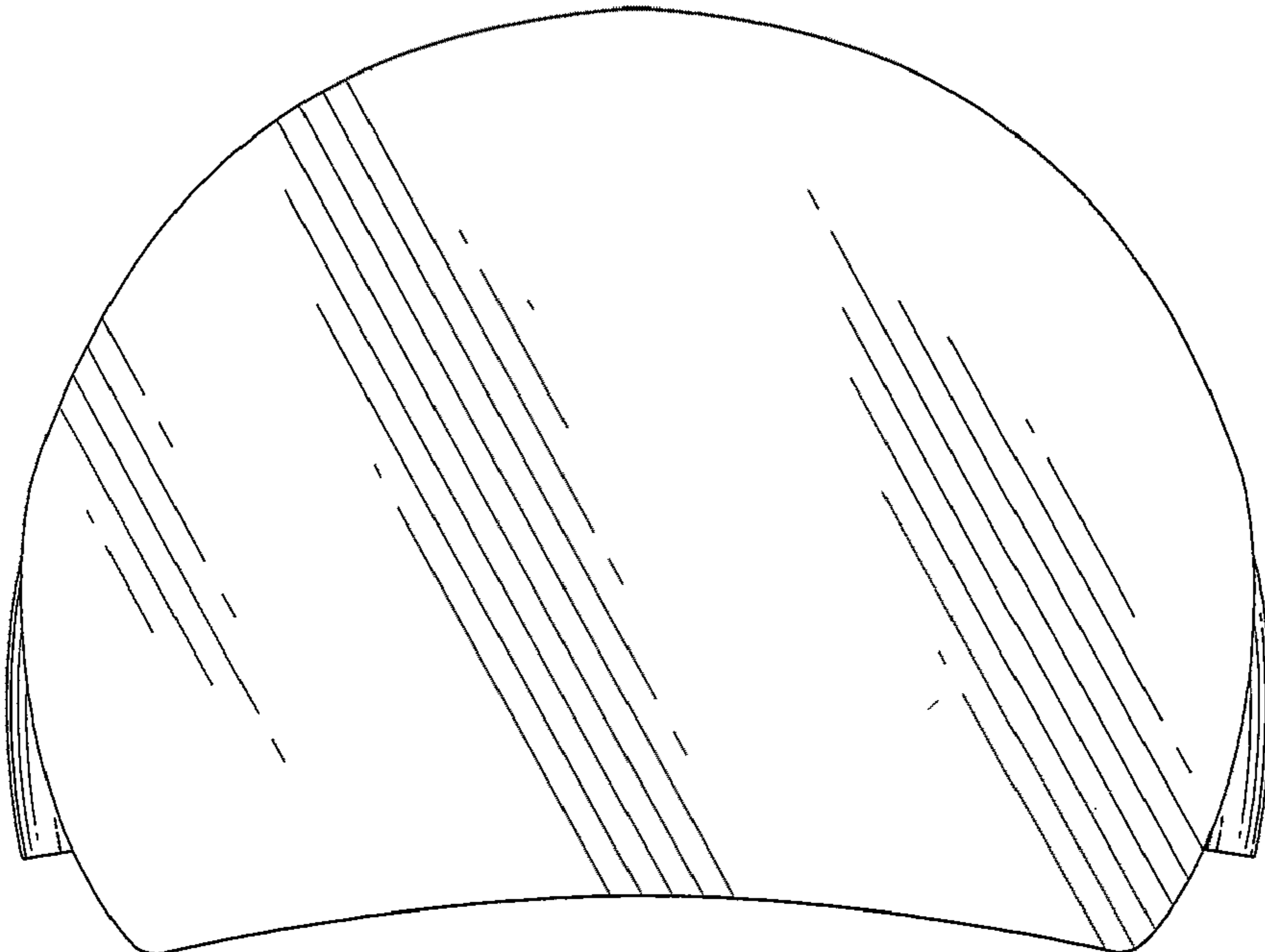


Fig. 2

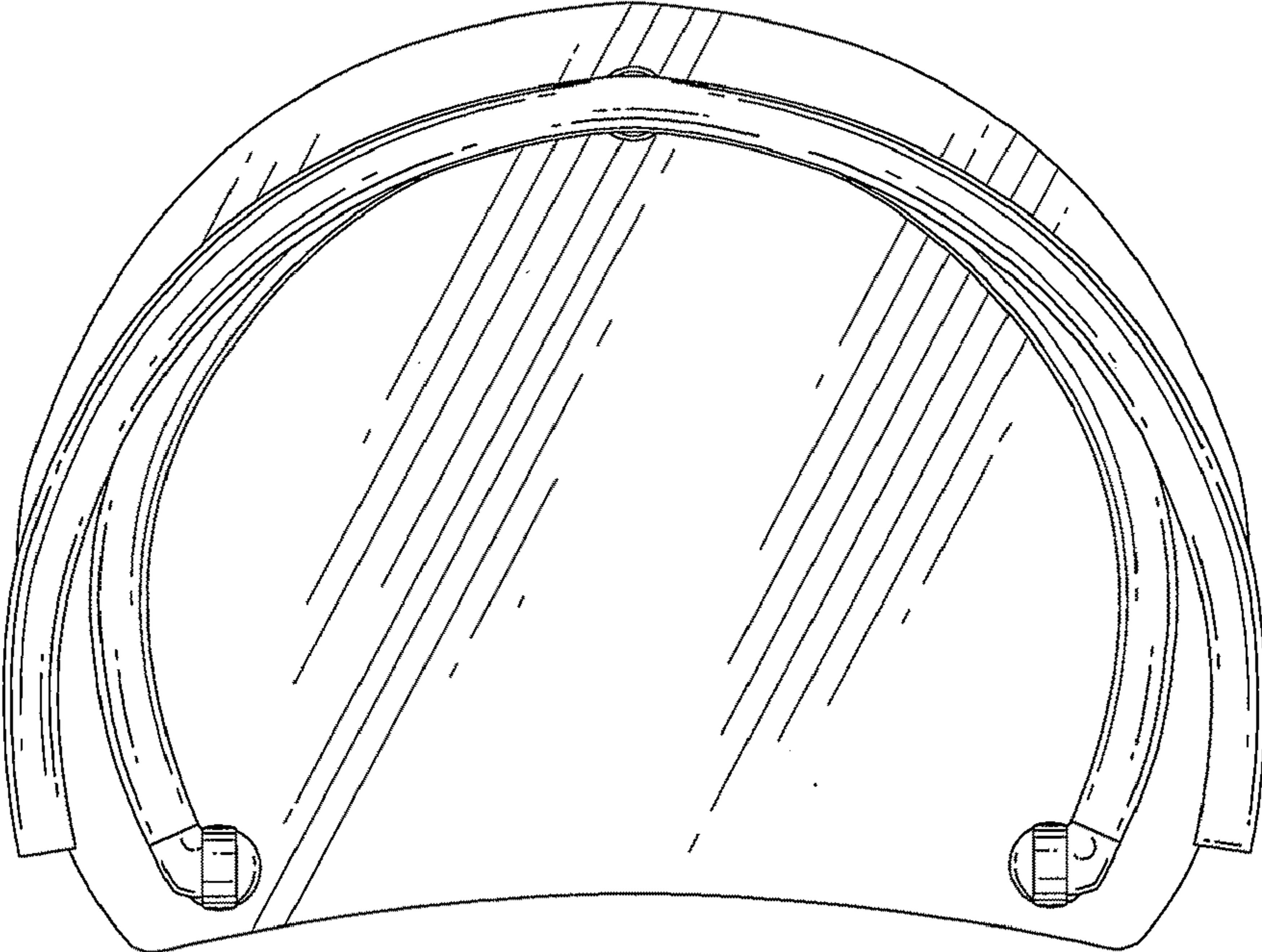


Fig. 3

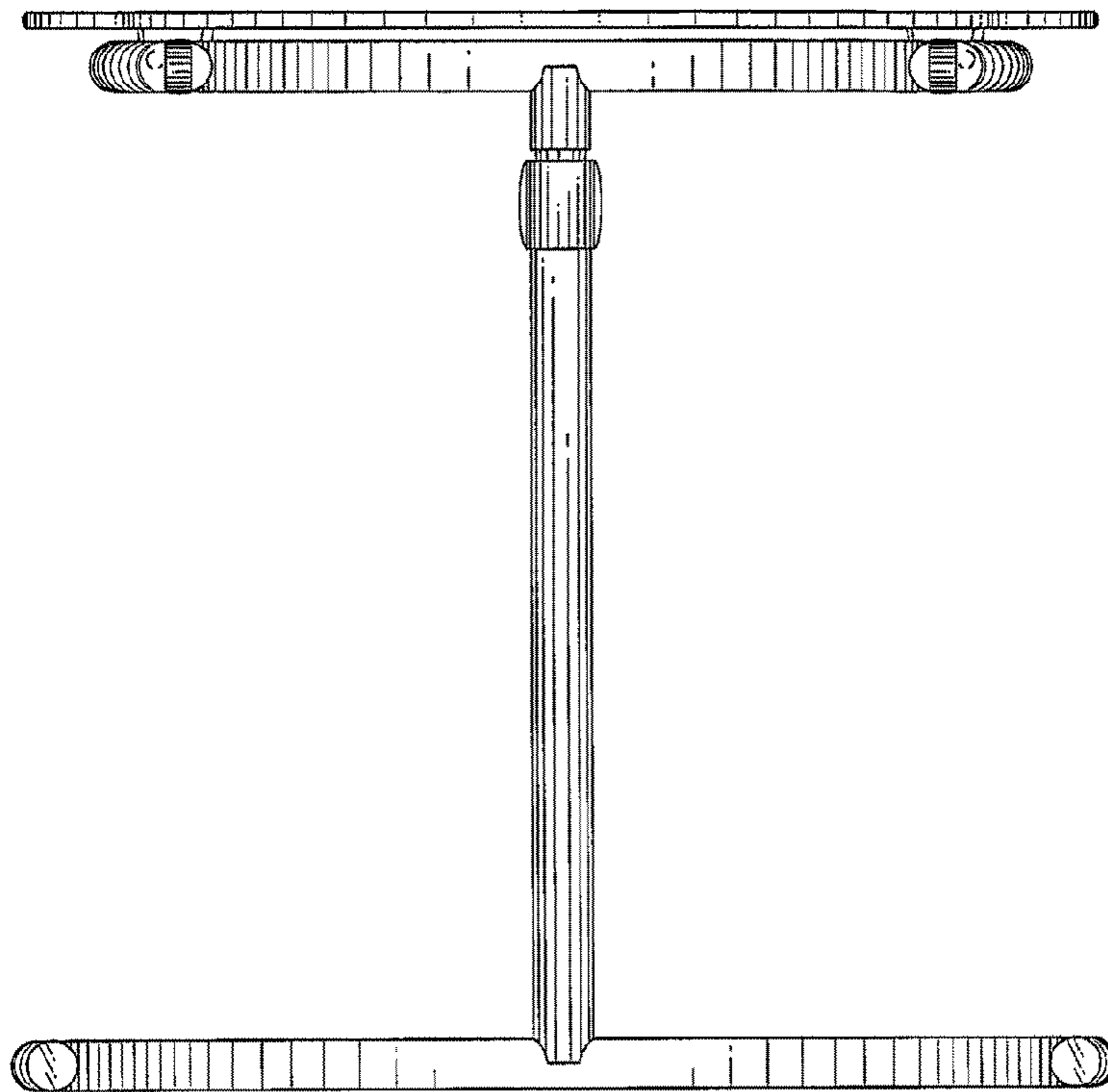


Fig. 4

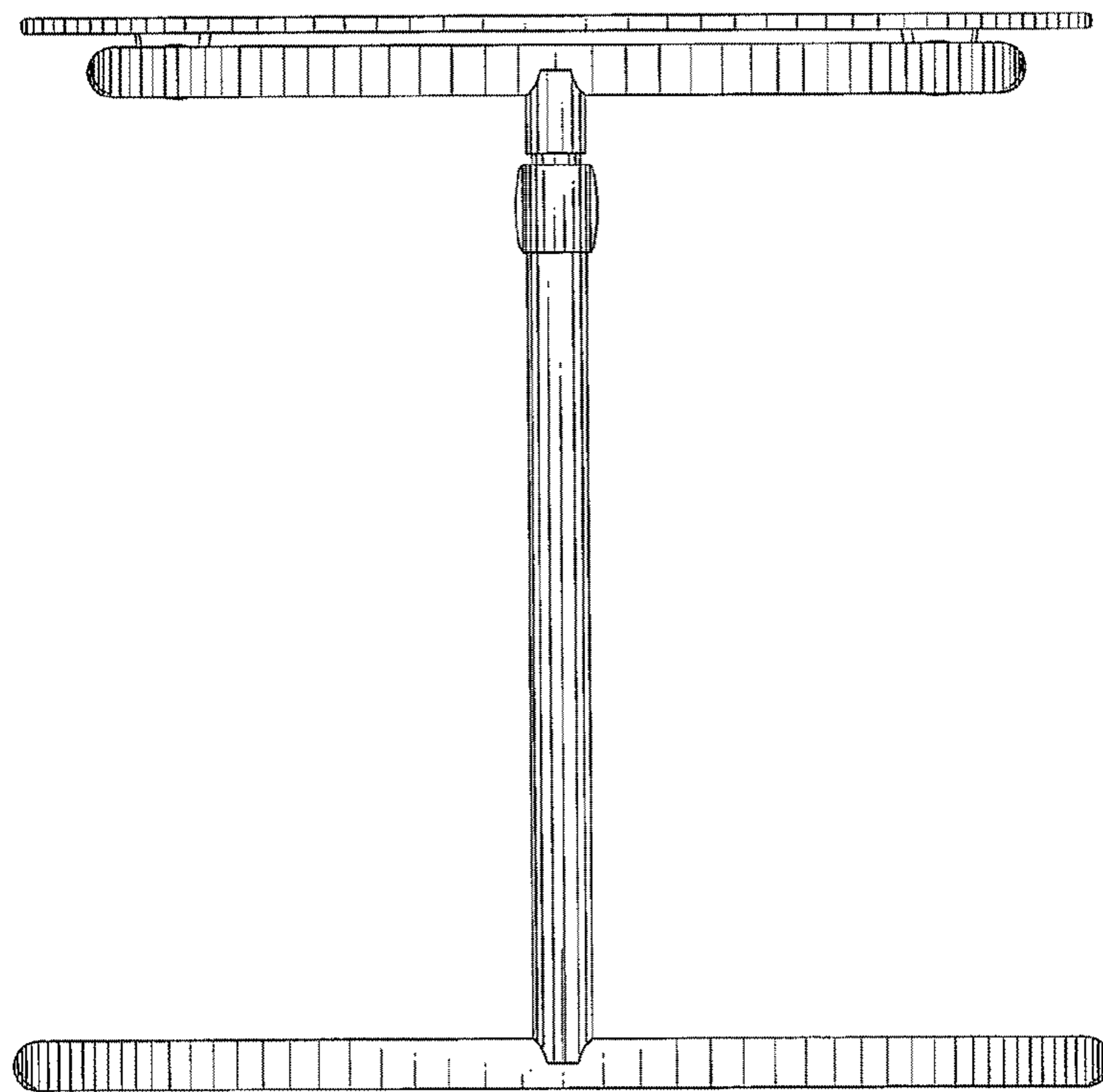


Fig. 5

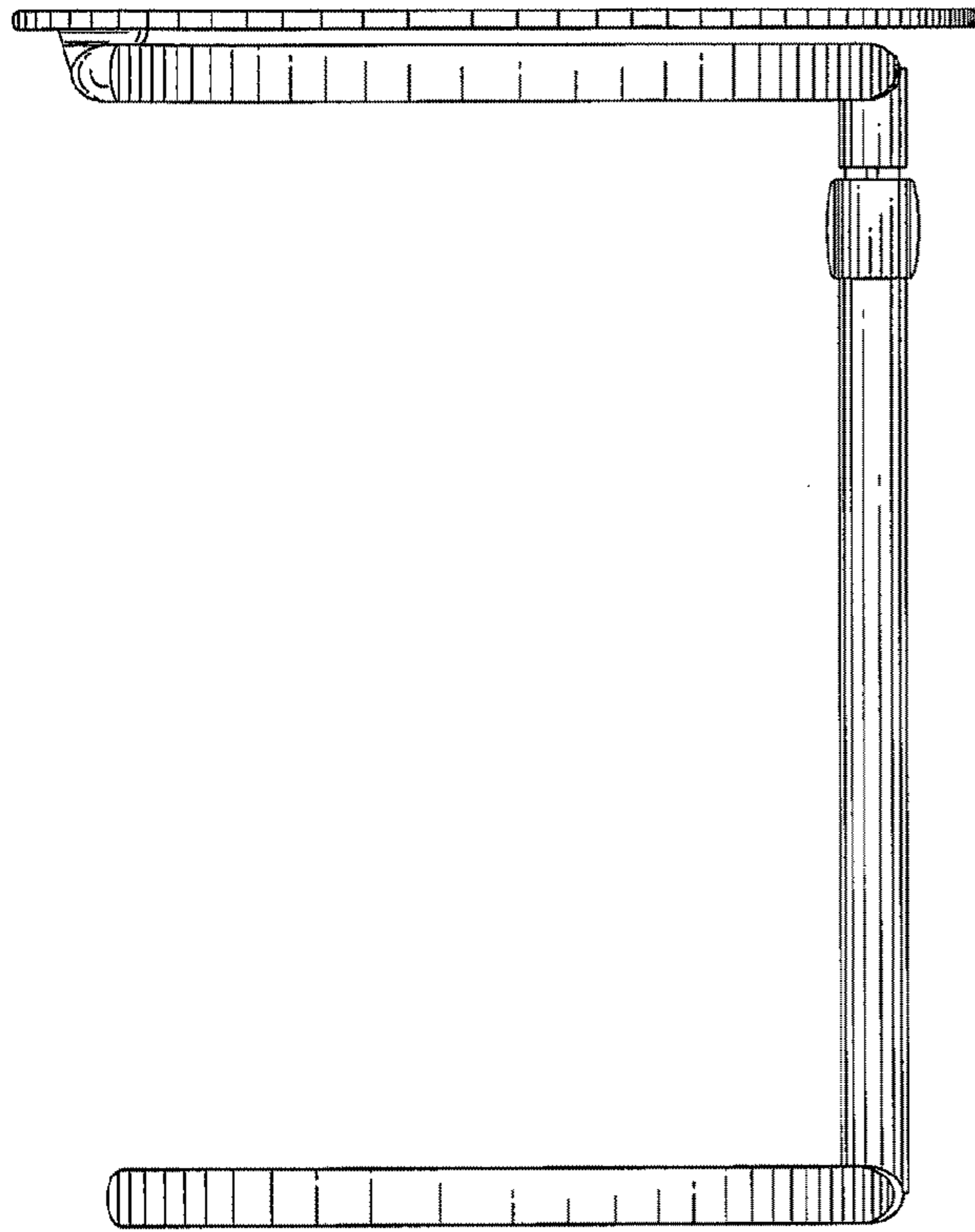


Fig. 6

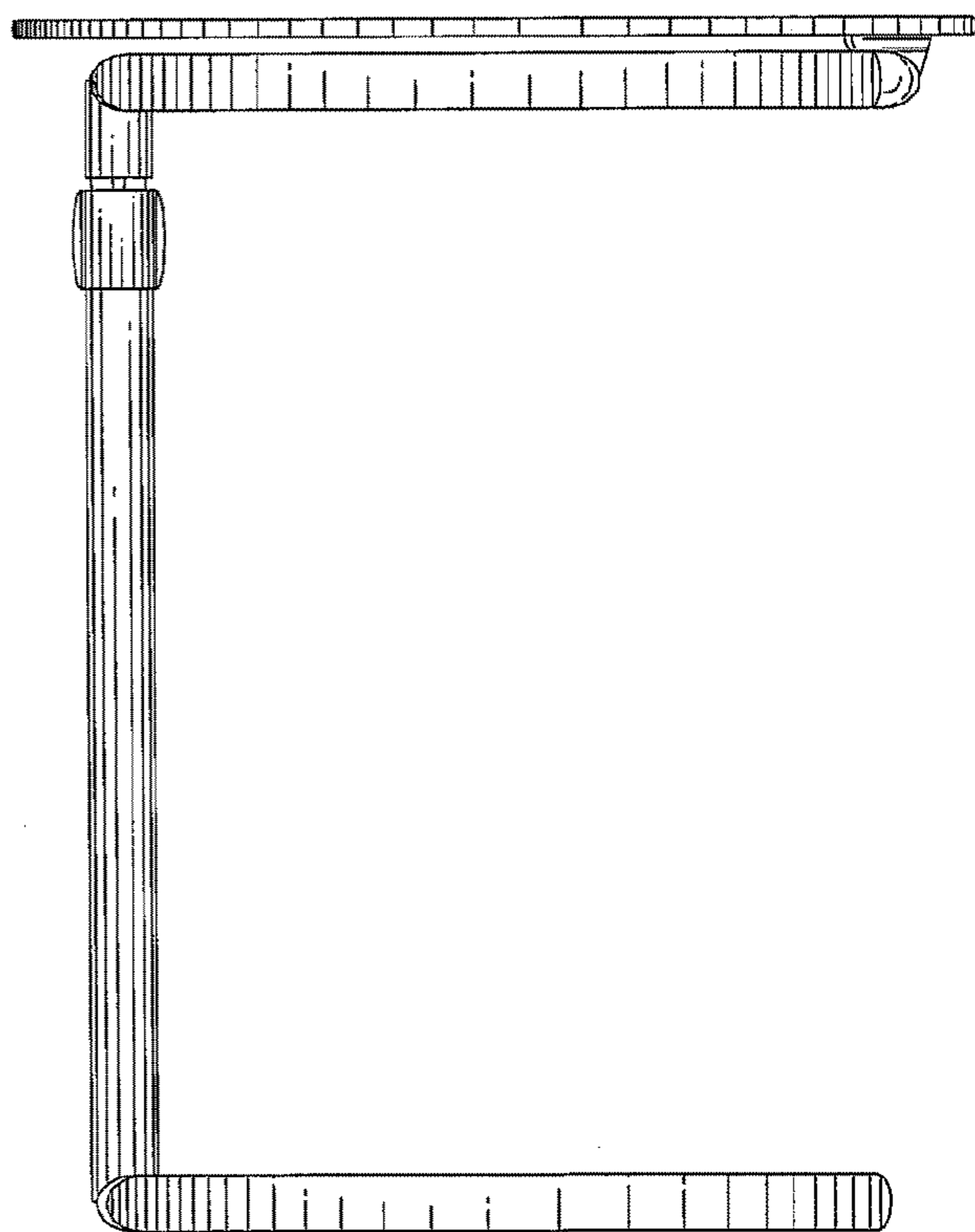


Fig. 7