



US00D640485S

(12) **United States Design Patent**
Dugger

(10) **Patent No.:** **US D640,485 S**

(45) **Date of Patent:** **** Jun. 28, 2011**

(54) **FURNITURE RACK**

(75) Inventor: **Sean W. Dugger**, Turner, OR (US)

(73) Assignee: **Your Furniture World Inc.**, Salem, OR (US)

(**) Term: **14 Years**

(21) Appl. No.: **29/365,743**

(22) Filed: **Jul. 14, 2010**

(51) **LOC (9) Cl.** **06-04**

(52) **U.S. Cl.** **D6/462**

(58) **Field of Classification Search** D6/329,
D6/332, 462, 464-468, 477-479, 454-455,
D6/449, 552, 396, 470-471, 566, 310, 411,
D6/574, 457-461, 473, 474; 312/352; 280/47.35,
280/79.3; D21/662, 686; D25/58; 248/176.1,
248/346.03-346.04; 52/36.1; 160/135; 108/16,
108/28, 149; D34/14, 21; 211/88.01, 126.1,
211/135, 153, 181.1, 184

See application file for complete search history.

(56) **References Cited**

U.S. PATENT DOCUMENTS

259,642	A	6/1882	Hofstatter, Jr.	
795,152	A	7/1905	Montgomery	
893,856	A	7/1908	Luppert	
972,447	A	10/1910	Harper	
2,713,424	A	7/1955	Thompson	
2,805,776	A	9/1957	Levitin	
2,927,696	A	3/1960	Michaels	
3,897,876	A	8/1975	Feldman	
4,895,381	A	1/1990	Farlow	
D312,177	S *	11/1990	Walter	D6/509
D330,296	S *	10/1992	Keong	D6/426
5,644,993	A	7/1997	Dohnalik	
5,718,344	A *	2/1998	Joldeson et al.	211/206
D412,414	S *	8/1999	Gingrich	D6/449
D451,300	S *	12/2001	Stafford et al.	D6/411
D466,331	S *	12/2002	Chang	D6/411

D495,531	S *	9/2004	Allshouse et al.	D6/468
6,983,853	B1	1/2006	Fickett	
7,195,213	B2	3/2007	Weatherly	
D543,382	S *	5/2007	Glassenberg et al.	D6/462
D552,901	S *	10/2007	Wilfong et al.	D6/515
D553,874	S *	10/2007	Orlando	D6/411
D565,132	S *	3/2008	Lien et al.	D21/686
D613,092	S *	4/2010	Eason et al.	D6/462
D626,763	S *	11/2010	Koh	D6/462

* cited by examiner

Primary Examiner — Caron Veynar

Assistant Examiner — Abraham Bahta

(74) *Attorney, Agent, or Firm* — Harness, Dickey & Pierce, P.L.C.

(57) **CLAIM**

The ornamental design for a furniture rack, as shown and described.

DESCRIPTION

FIG. 1 is an isometric view of a first embodiment of a furniture rack showing my new design;

FIG. 2 is front view thereof.

FIG. 3 is a back view thereof.

FIG. 4 is a right side view, the left side view being a mirror image thereof.

FIG. 5 is a top view thereof.

FIG. 6 is a bottom view thereof.

FIG. 7 is an isometric view of a second embodiment of the furniture rack;

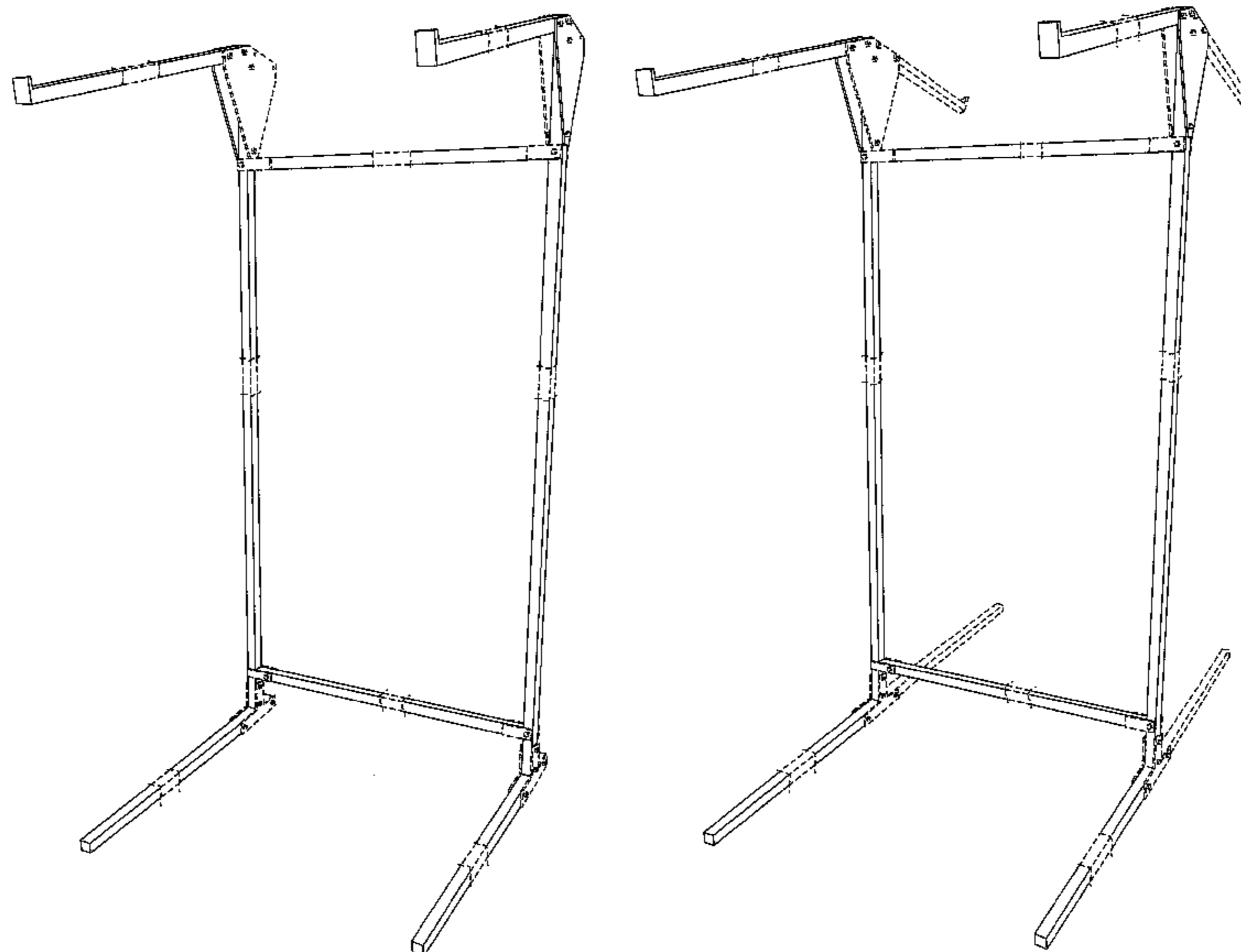
FIG. 8 is a right side view, the left side view being a mirror image thereof, and the front and back views being substantially similar to FIGS. 2 and 3, respectively.

FIG. 9 is a top view thereof; and,

FIG. 10 is a bottom view thereof.

The broken lines showing possible additional support structures and hardware in FIGS. 1-10 are for illustrative purposes only and form no part of the claimed design.

1 Claim, 8 Drawing Sheets



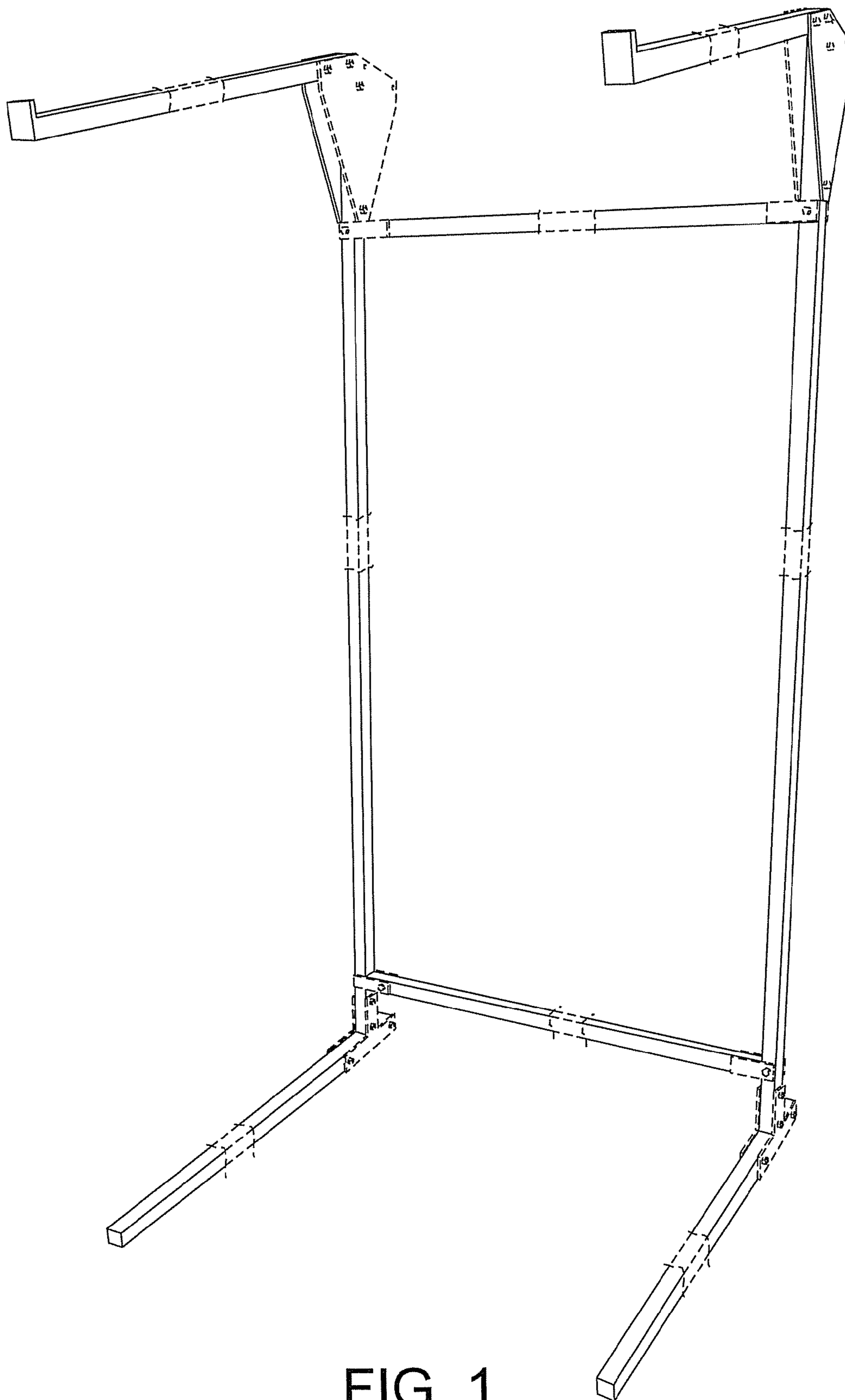


FIG. 1

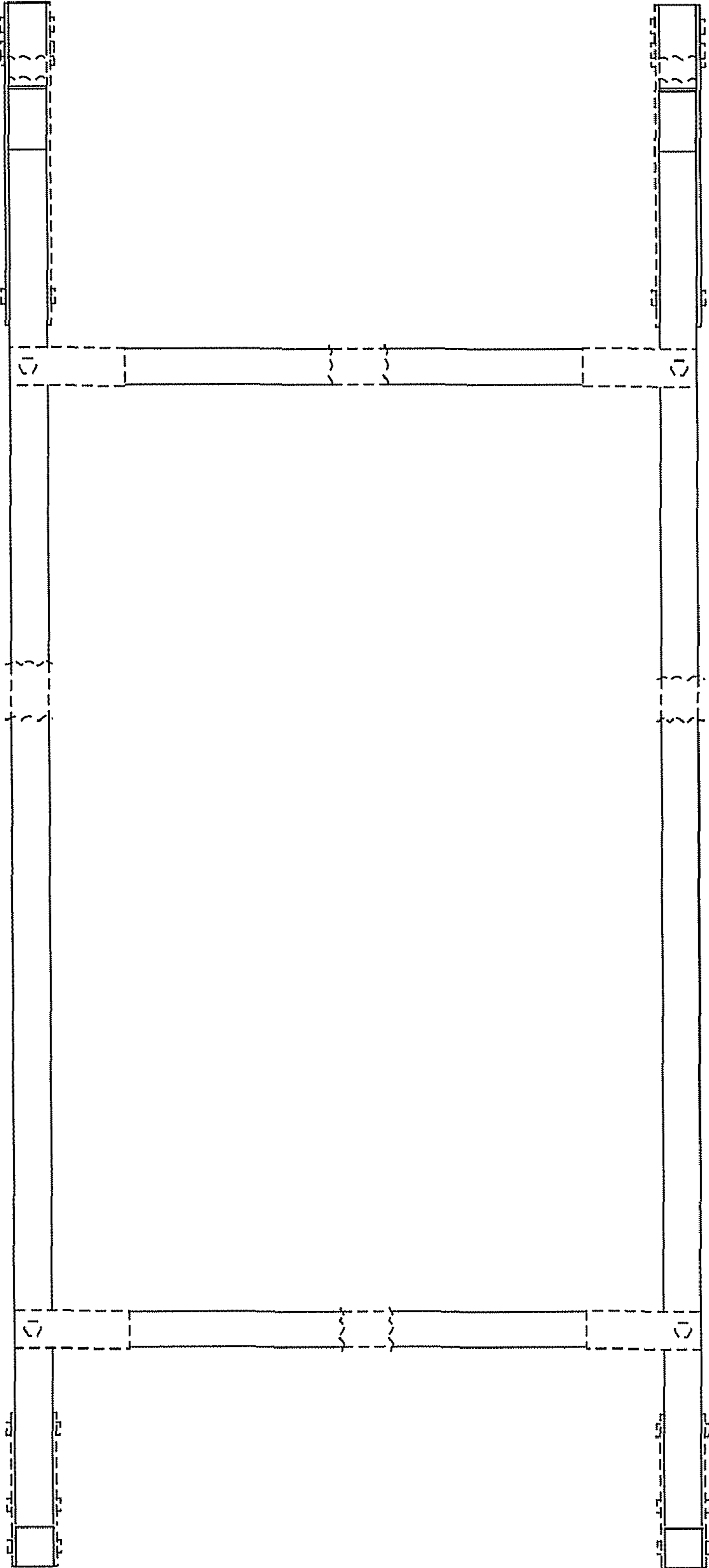


FIG. 2

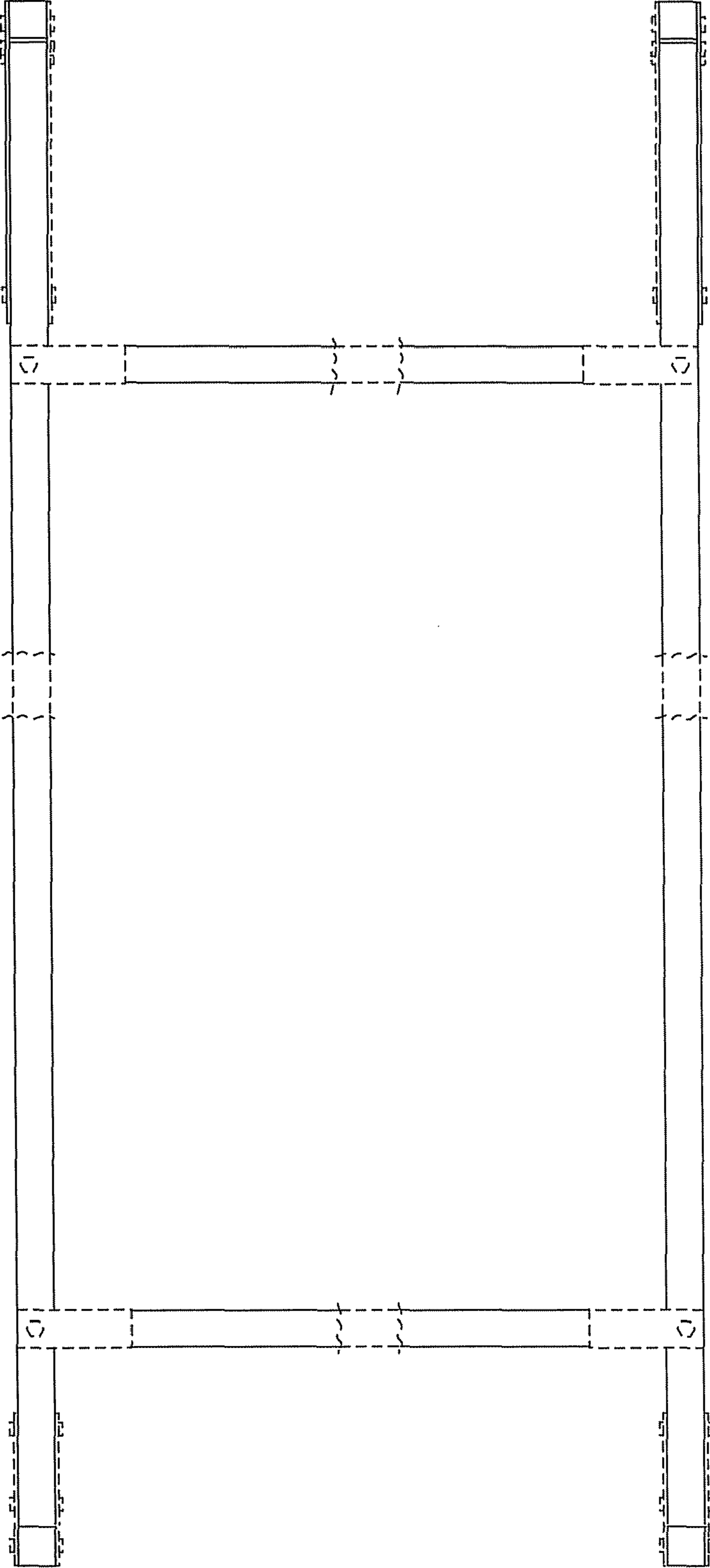


FIG. 3

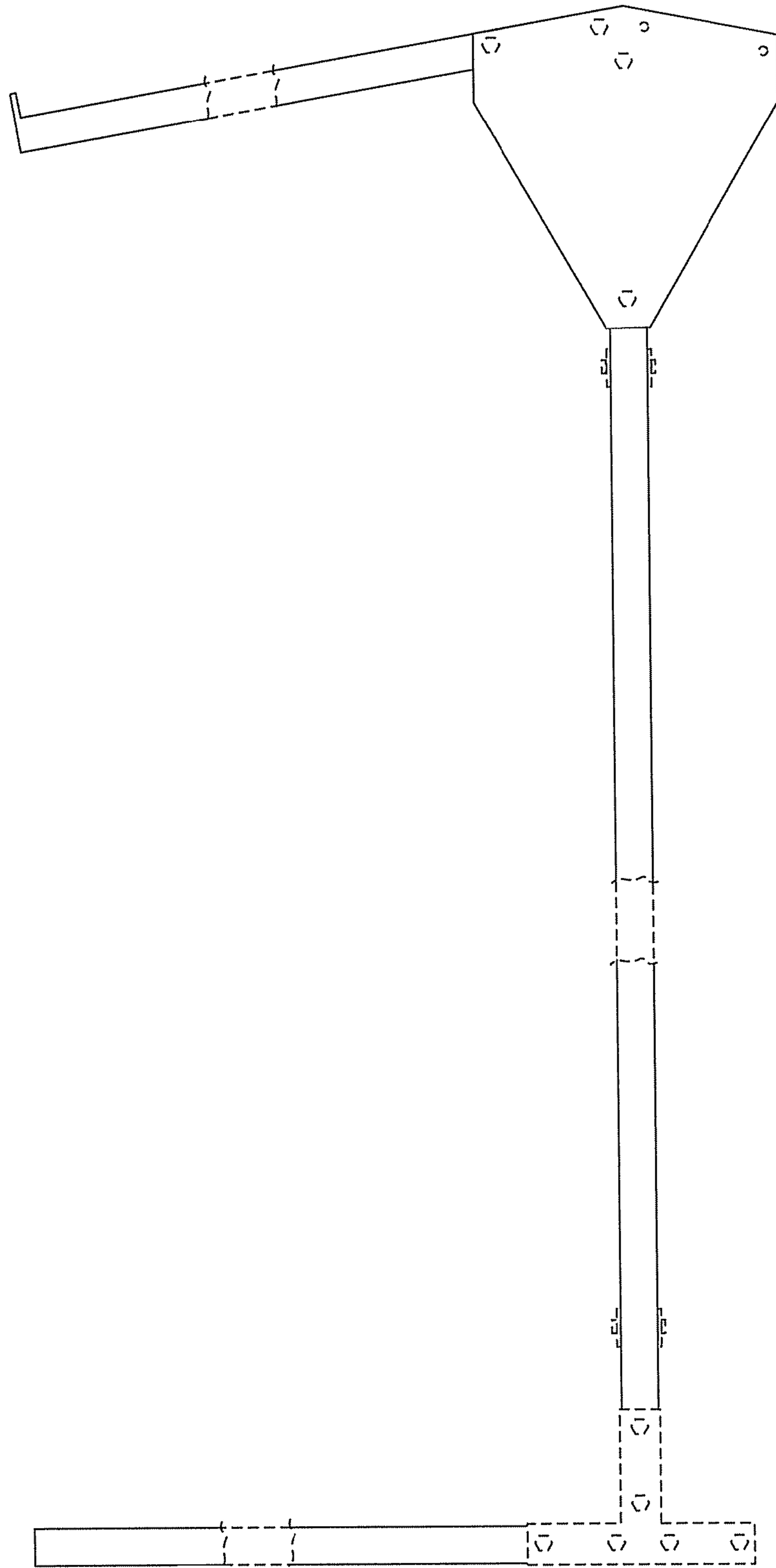


FIG. 4

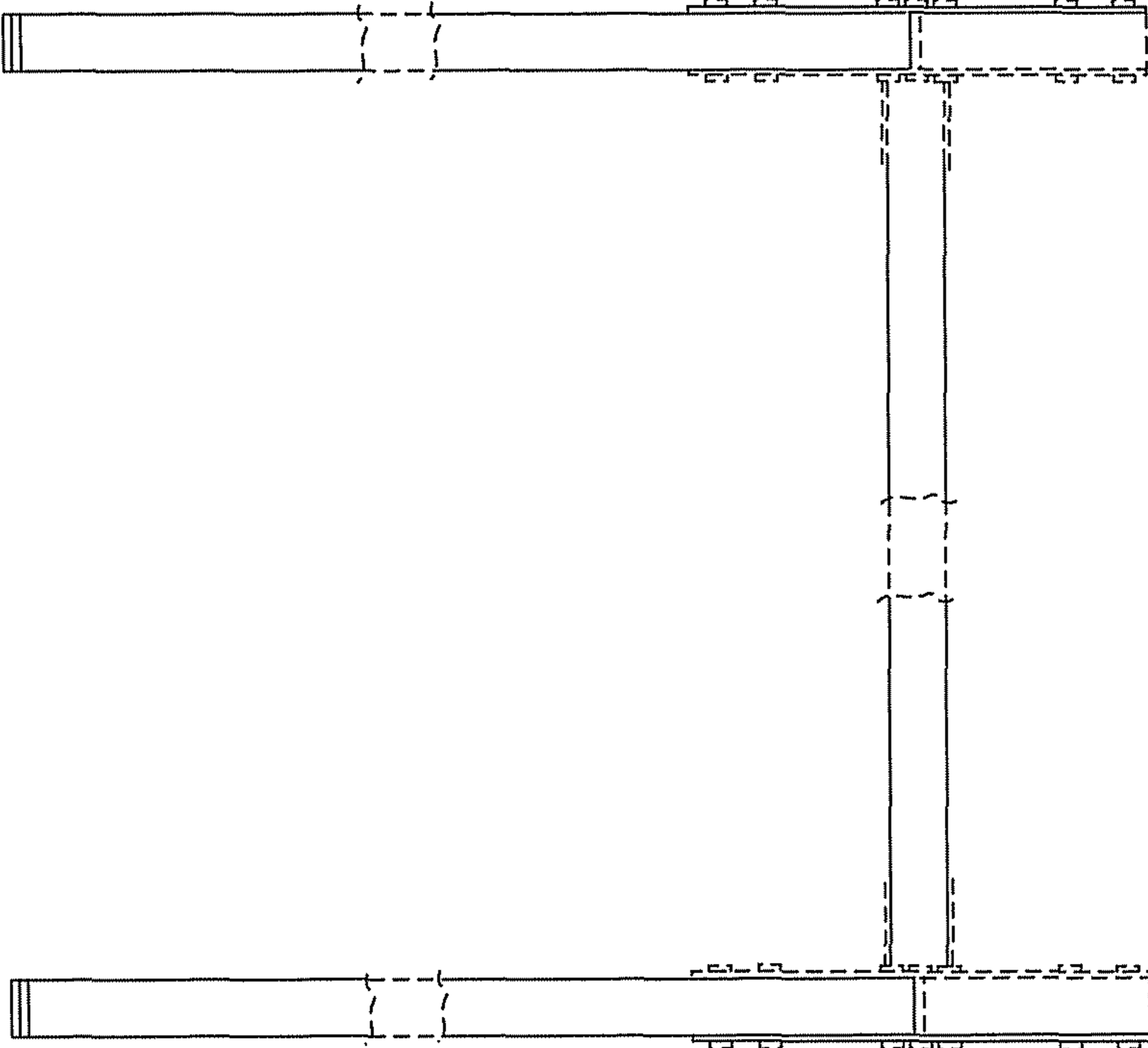


FIG. 5

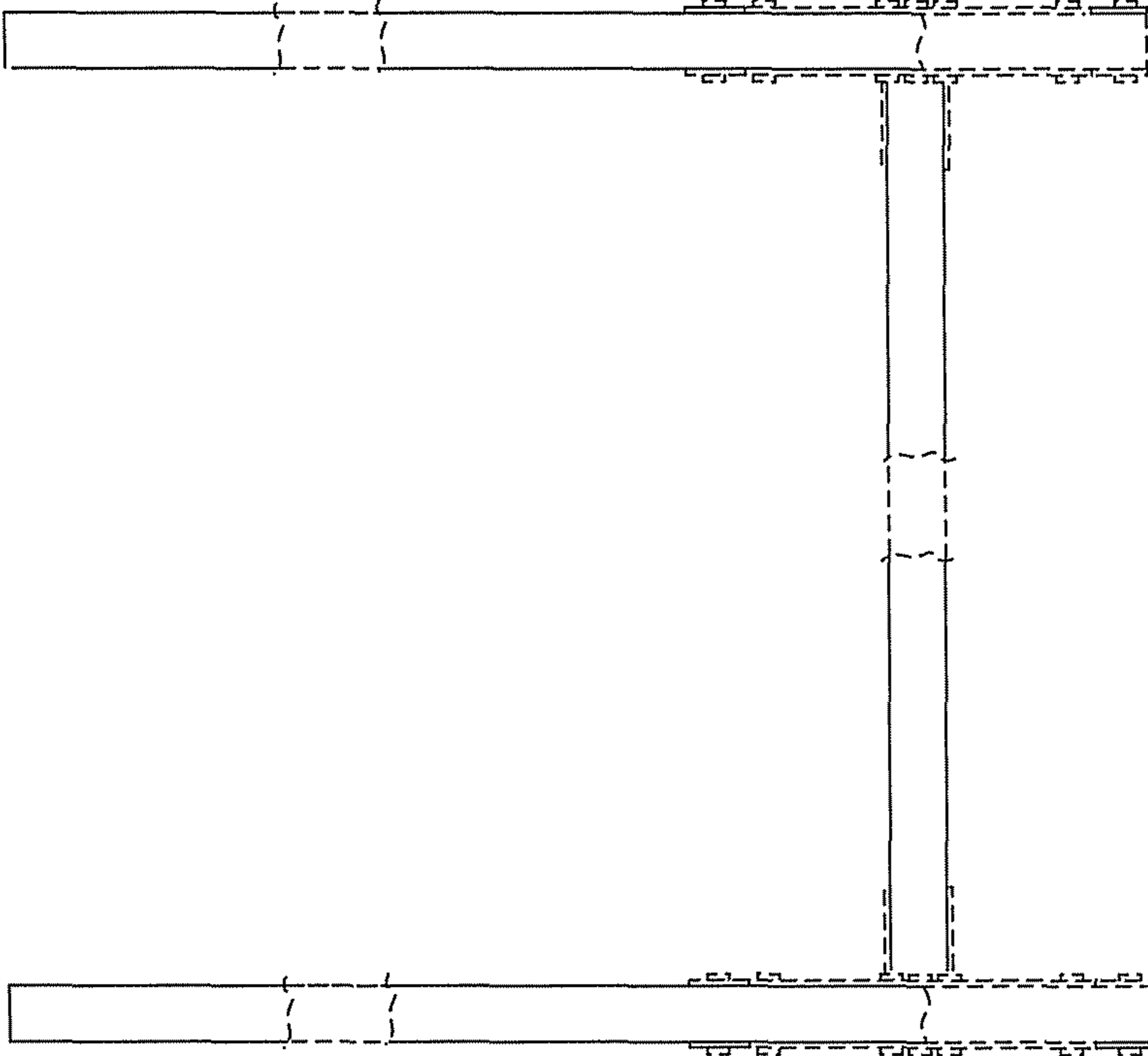


FIG. 6

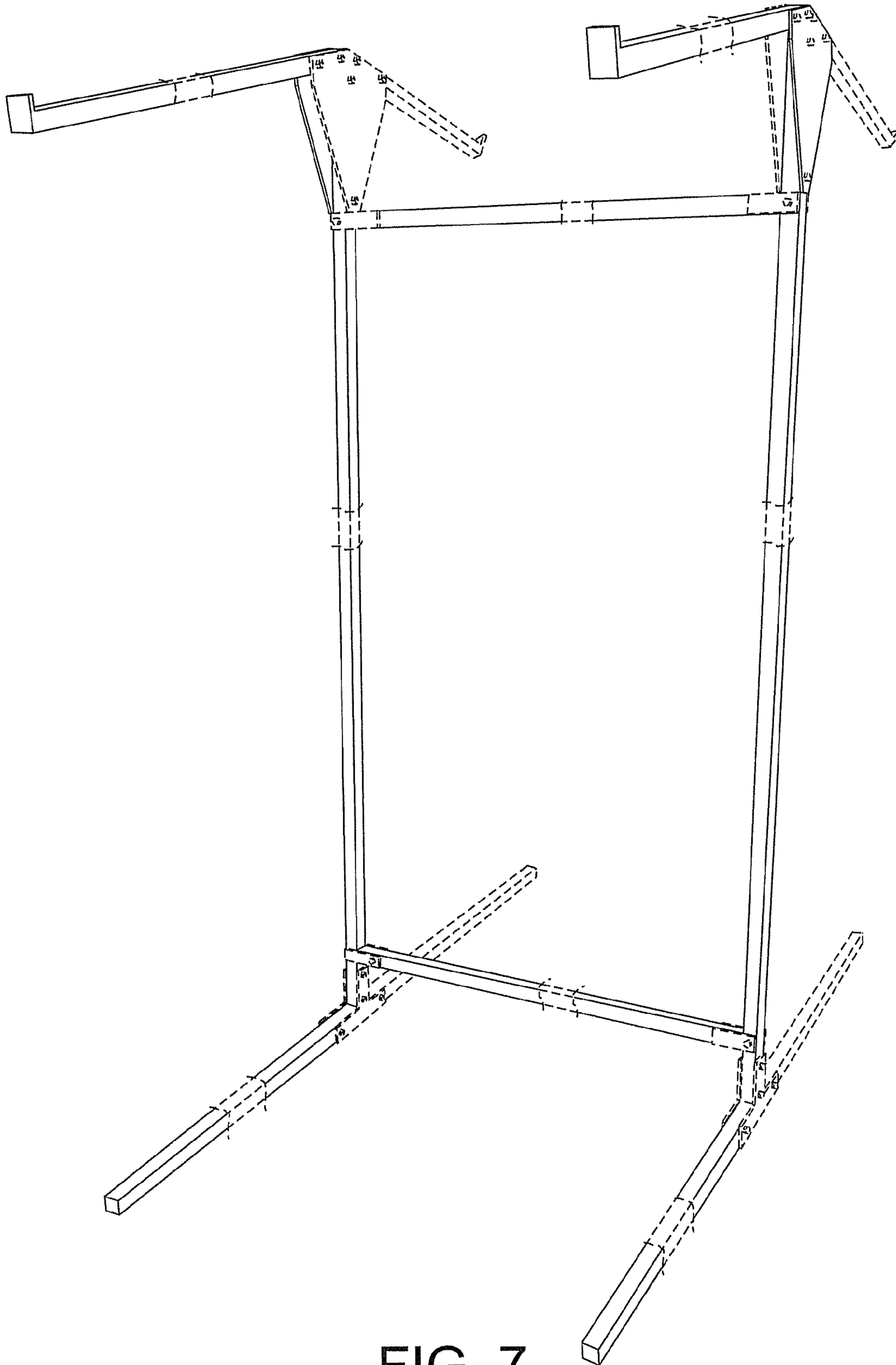


FIG. 7

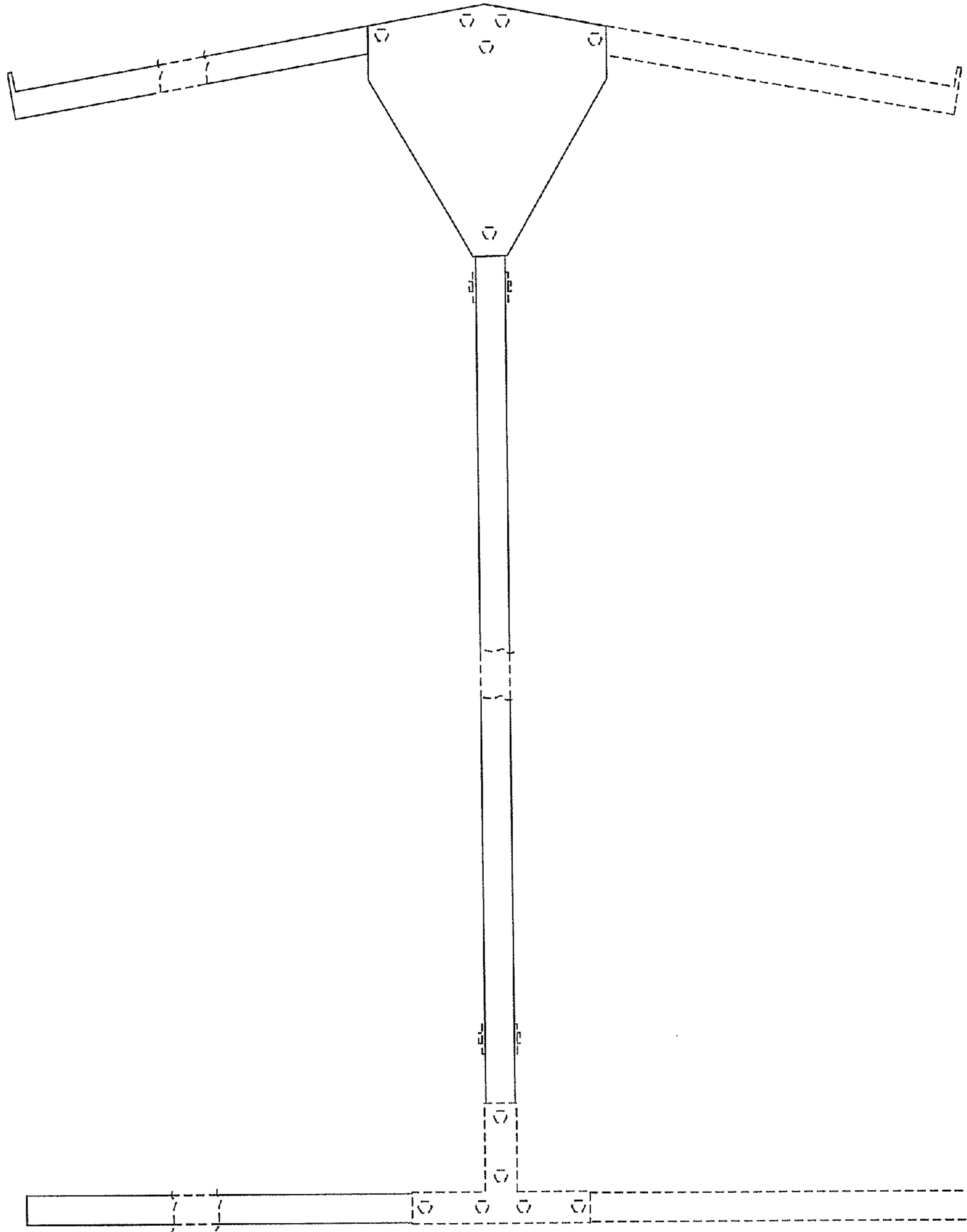


FIG. 8

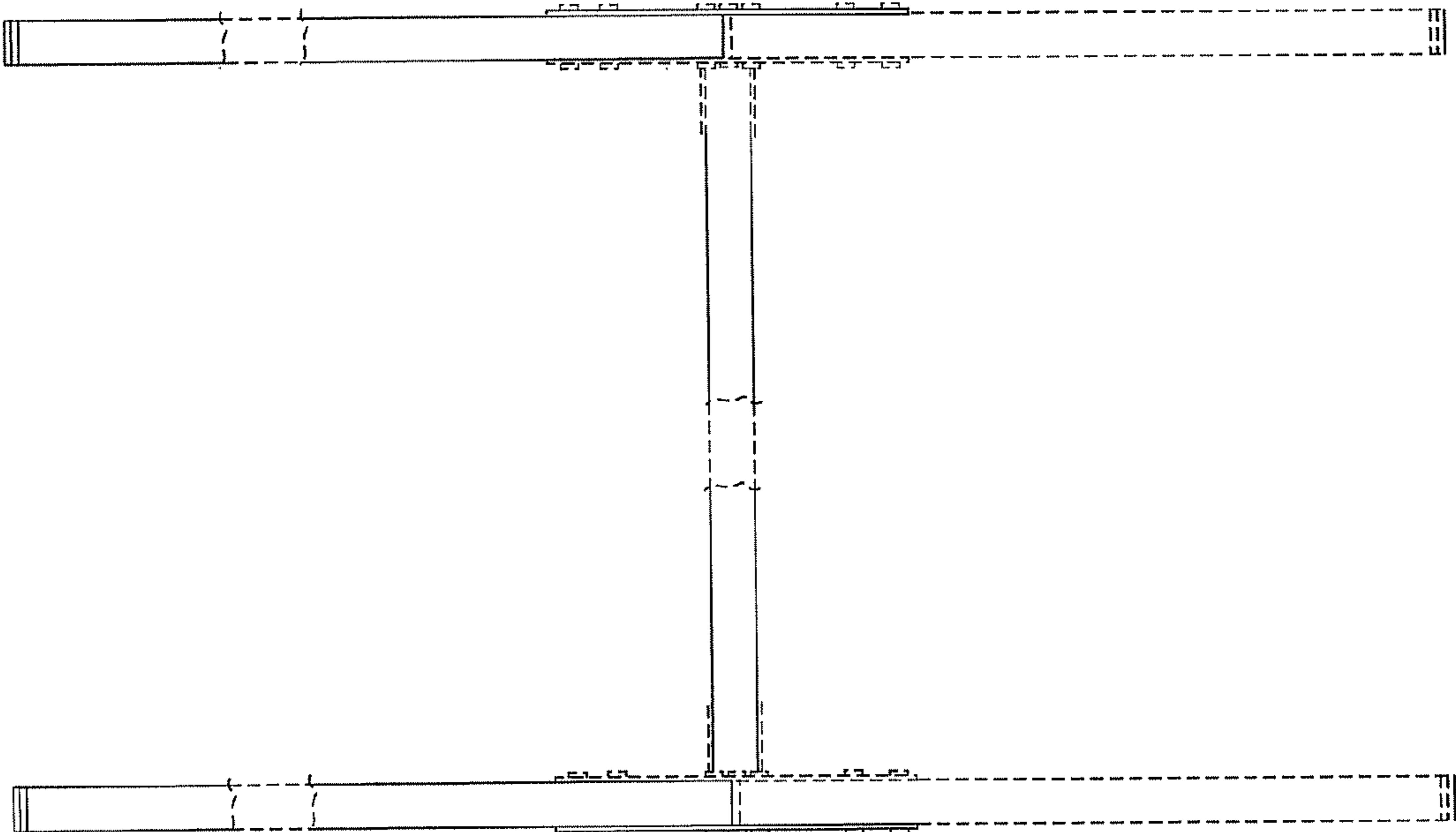


FIG. 9

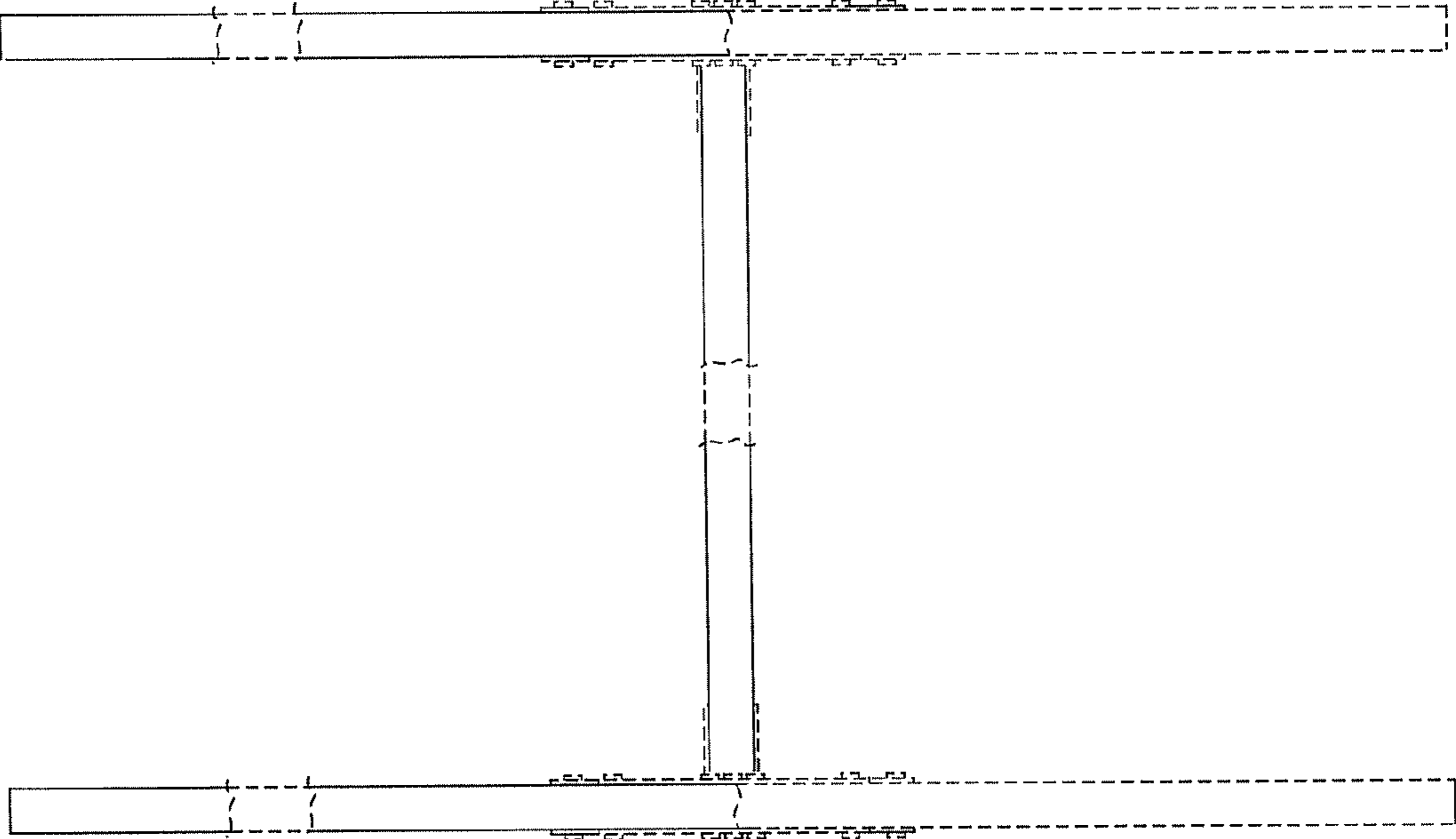


FIG. 10