



US00D640484S

(12) **United States Design Patent**  
**Albert**

(10) **Patent No.:** **US D640,484 S**  
(45) **Date of Patent:** **\*\* Jun. 28, 2011**

(54) **DISPLAY DEVICE AND GIFT HOLDER**

D434,923 S \* 12/2000 Arrowsmith et al. .... D6/436  
D483,580 S \* 12/2003 Hansen ..... D6/470  
D571,804 S \* 6/2008 Morelock et al. .... D14/371

(76) Inventor: **Kelly Marie Albert**, Brighton, MI (US)

\* cited by examiner

(\*\*) Term: **14 Years**

*Primary Examiner* — Phillip S Hyder

(21) Appl. No.: **29/358,976**

*Assistant Examiner* — Sydney R Buffalow

(22) Filed: **Apr. 2, 2010**

(74) *Attorney, Agent, or Firm* — Harness, Dickey & Pierce, PLC

**Related U.S. Application Data**

(57) **CLAIM**

The ornamental design for a display device and gift holder, as shown and described.

(63) Continuation of application No. 12/276,469, filed on Nov. 24, 2008.

**DESCRIPTION**

(51) **LOC (9) Cl.** ..... **06-04**

FIG. 1 is a front elevational view of a display device and gift holder showing my new design;

(52) **U.S. Cl.** ..... **D6/396**

FIG. 2 is a top view of the display device and gift holder shown in FIG. 1;

(58) **Field of Classification Search** ..... D6/396,

D6/419, 470, 432-448; D14/371; 312/114,

312/117, 233; 211/13.1

FIG. 3 is a left side view of the display device and gift holder shown in FIG. 1;

See application file for complete search history.

FIG. 4 is a right side view of the display device and gift holder shown in FIG. 1; and,

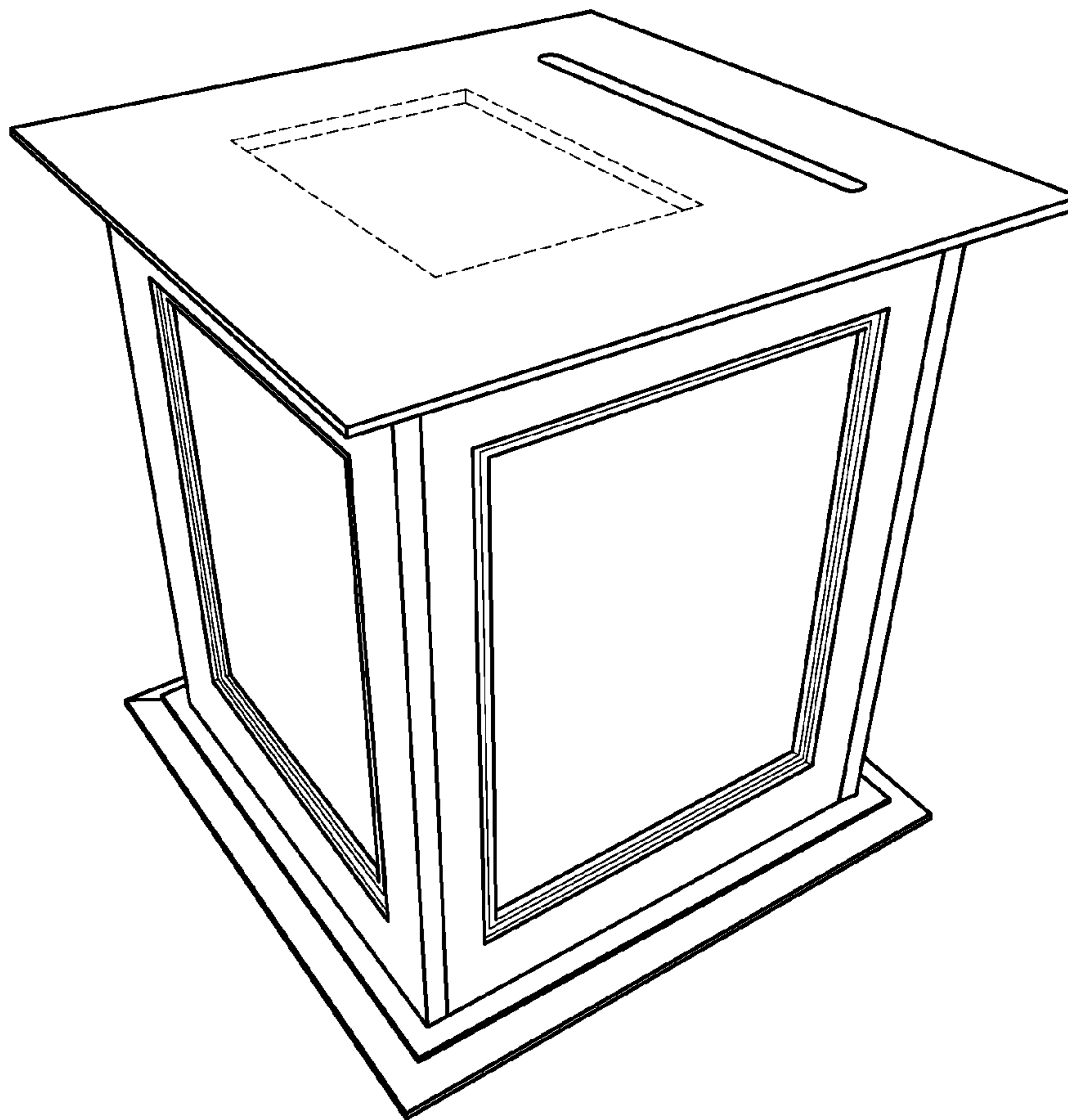
(56) **References Cited**

FIG. 5 is a bottom view of the display device and gift holder shown in FIG. 1.

**U.S. PATENT DOCUMENTS**

D296,275 S \* 6/1988 Fisher et al. .... D6/419

**1 Claim, 2 Drawing Sheets**



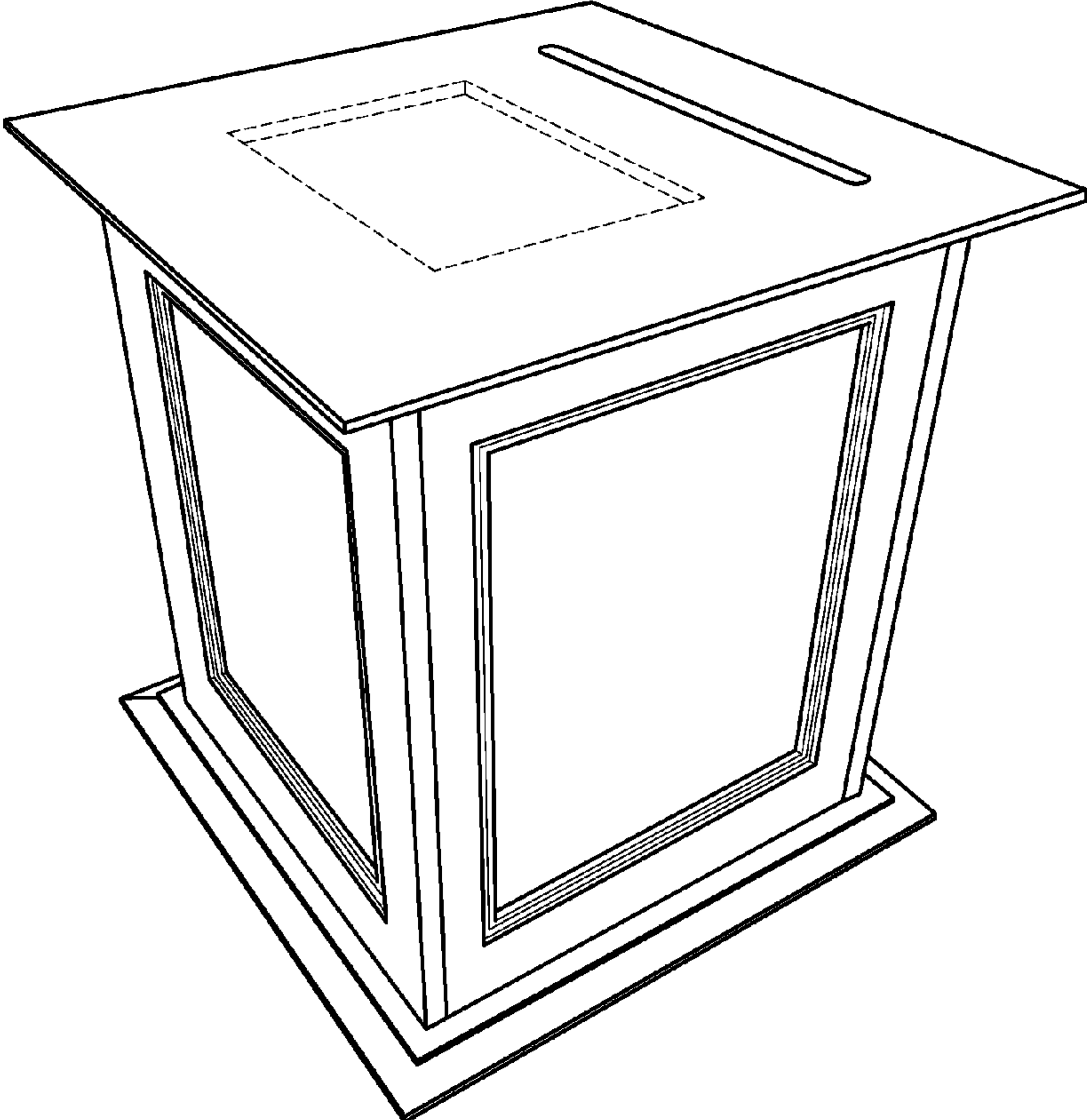


FIG - 1

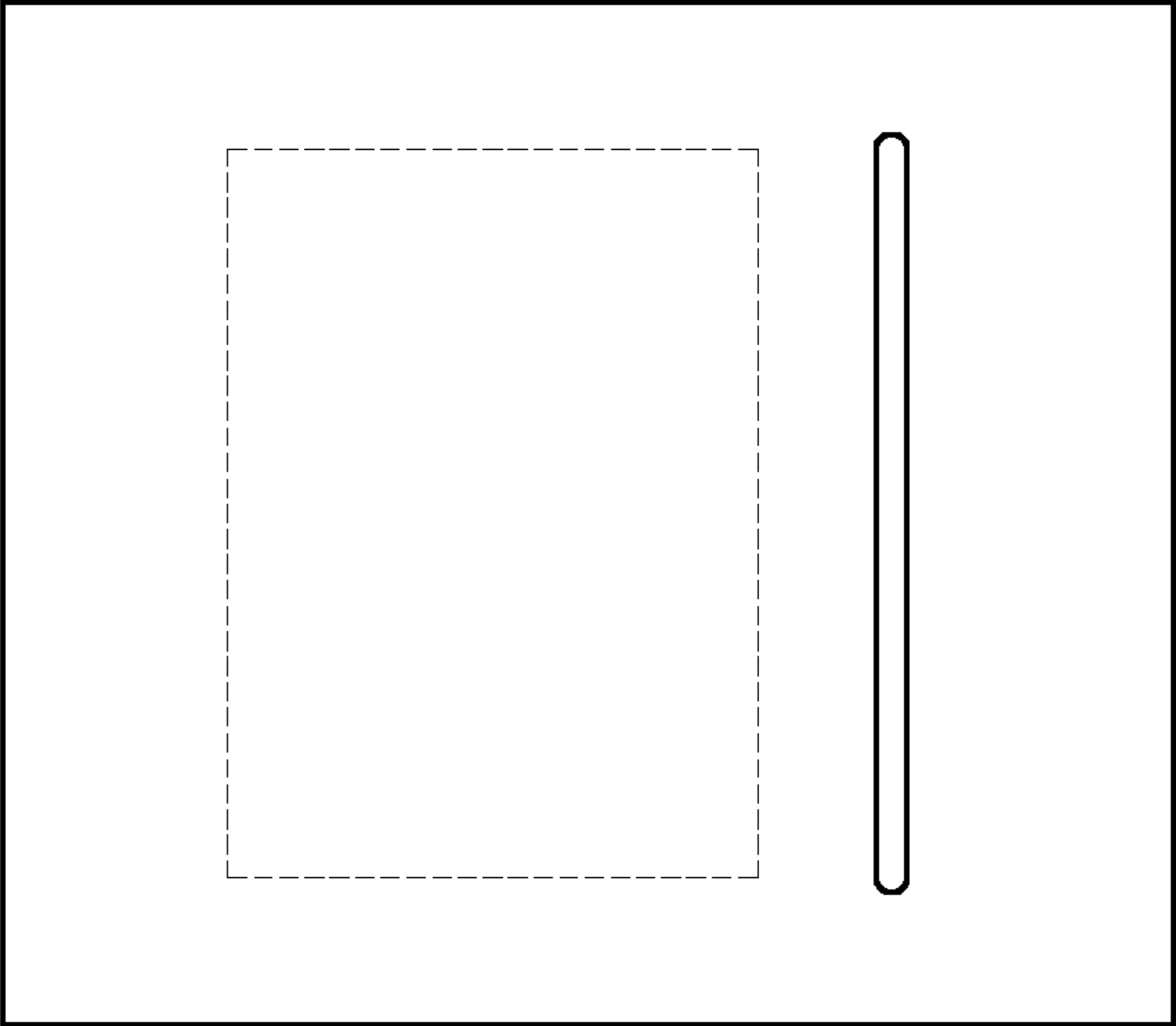


FIG - 2

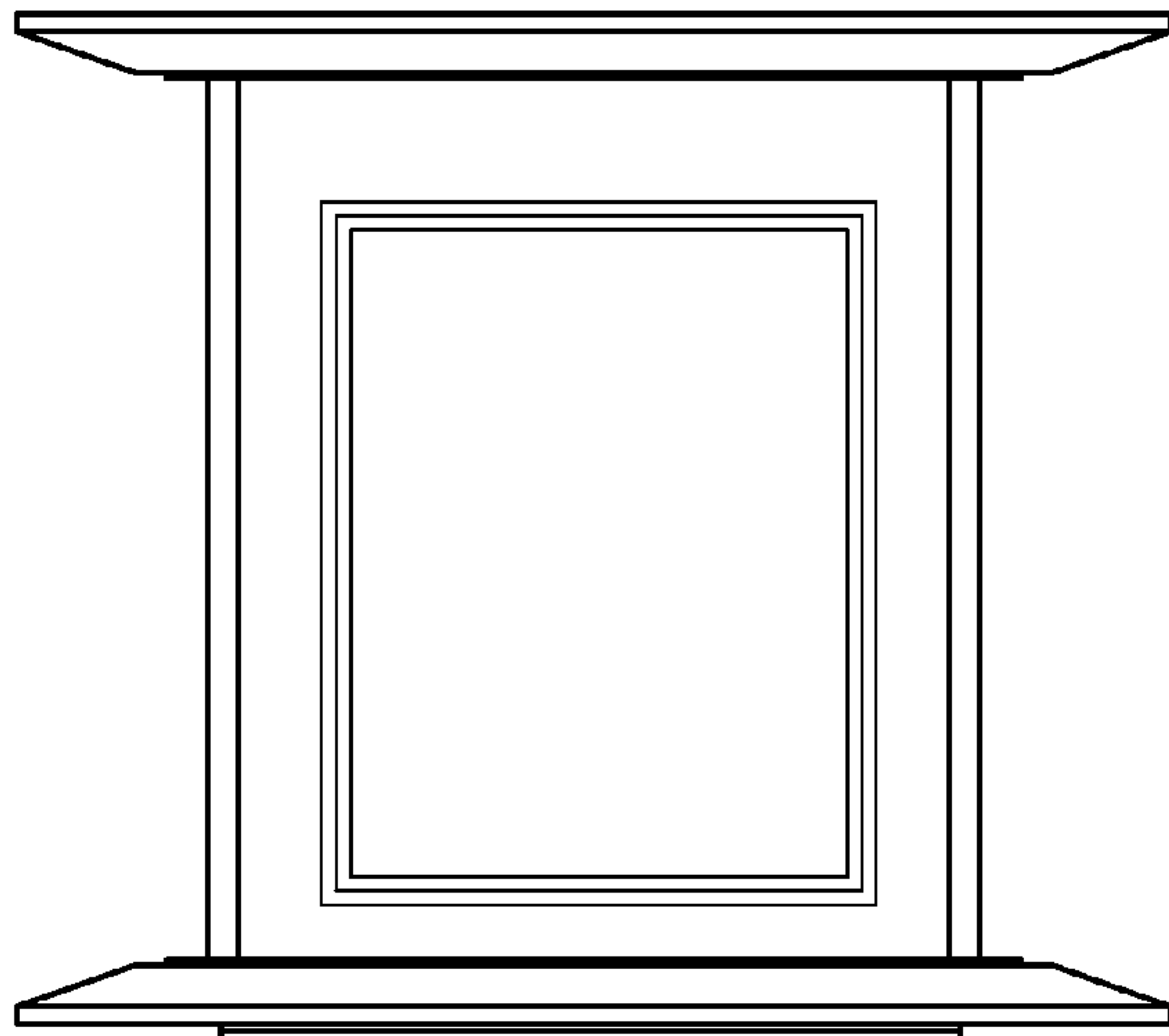


FIG - 3

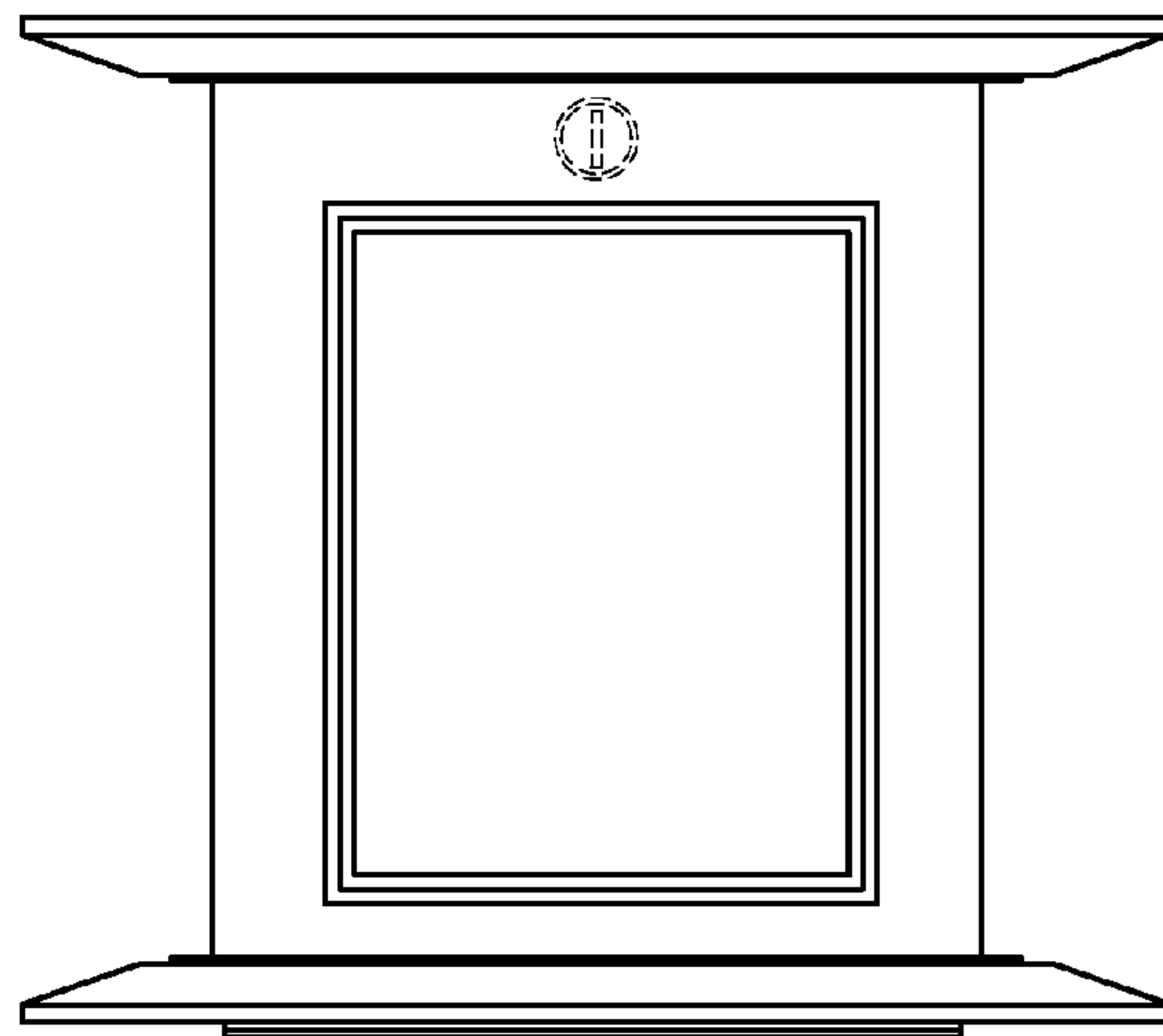


FIG - 4

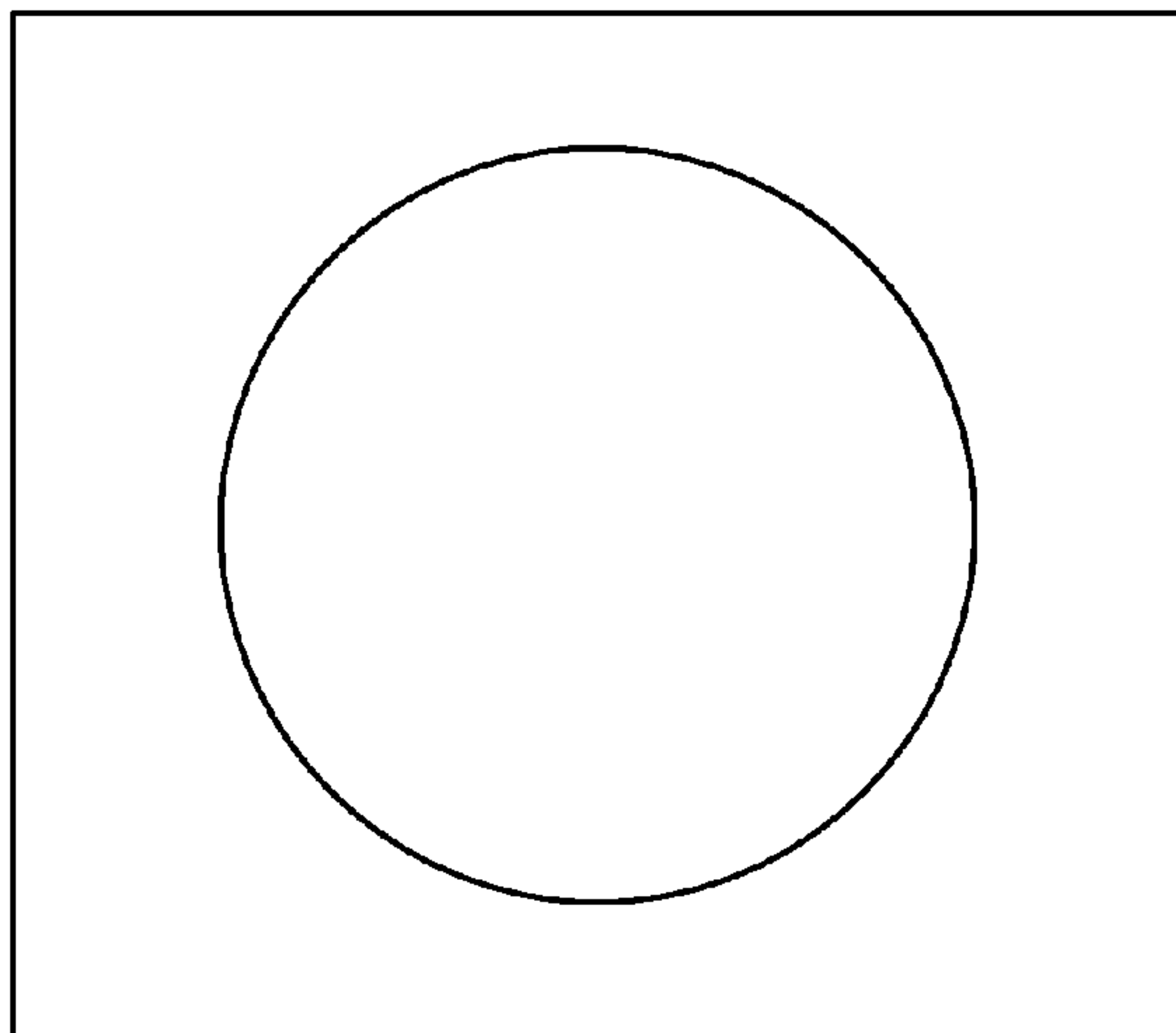


FIG - 5

UNITED STATES PATENT AND TRADEMARK OFFICE  
**CERTIFICATE OF CORRECTION**

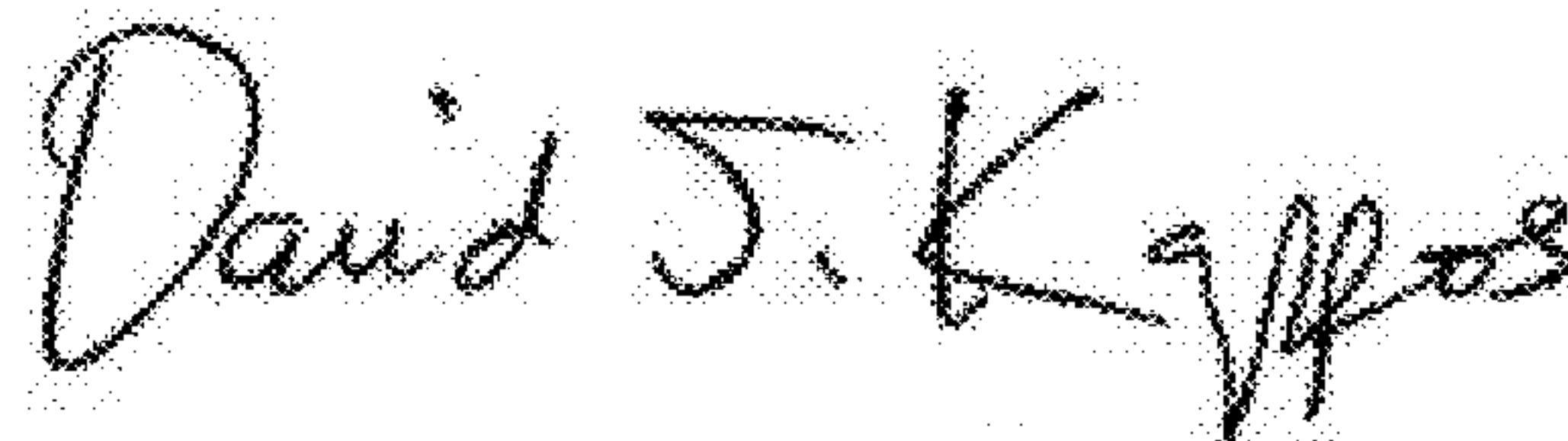
PATENT NO. : D640,484 S  
APPLICATION NO. : 29/358976  
DATED : June 28, 2011  
INVENTOR(S) : Kelly Marie Albert

Page 1 of 1

It is certified that error appears in the above-identified patent and that said Letters Patent is hereby corrected as shown below:

Title page, No (63), Related U.S. Application Data,  
after “filed on Nov., 24, 2008”, insert --which claims benefit of 61/004,727, filed Nov. 29, 2007--

Signed and Sealed this  
Eighth Day of November, 2011

A handwritten signature in black ink that reads "David J. Kappos". The signature is written in a cursive style with a large initial 'D' and 'K'.

David J. Kappos  
*Director of the United States Patent and Trademark Office*