



US00D640482S

(12) **United States Design Patent**  
**Bassam et al.**

(10) **Patent No.:** **US D640,482 S**  
(45) **Date of Patent:** **\*\* Jun. 28, 2011**

(54) **DAYBED**

(75) Inventors: **Craig John Bassam**, New Canaan, CT (US); **Christopher Scott Fellows**, New Canaan, CT (US)

(73) Assignee: **McGuire Furniture Company, Inc.**, San Francisco, CA (US)

(\*\*) Term: **14 Years**

(21) Appl. No.: **29/329,439**

(22) Filed: **Dec. 15, 2008**

**Related U.S. Application Data**

(63) Continuation-in-part of application No. 29/292,325, filed on Oct. 4, 2007, now abandoned.

(51) **LOC (9) Cl.** ..... **06-02**

(52) **U.S. Cl.** ..... **D6/382; D6/349**

(58) **Field of Classification Search** ..... D6/349, D6/382, 355, 361; 5/110, 112, 310  
See application file for complete search history.

(56) **References Cited**

**U.S. PATENT DOCUMENTS**

D181,152 S	10/1957	Jones	
D201,750 S	7/1965	Melchior	
3,205,005 A	9/1965	Brown	
D202,887 S	11/1965	Melchior	
3,387,886 A	6/1968	Longo et al.	
D225,704 S	1/1973	Geddings	
D274,679 S *	7/1984	Stehlik	D6/392
D279,335 S	6/1985	Frinier et al.	
D281,560 S	12/1985	Murry	

D285,027 S	8/1986	McBride	
D291,749 S	9/1987	Conn	
D291,948 S	9/1987	Conn	
D295,581 S	5/1988	Mallin	
D301,412 S	6/1989	Duvivier	
D321,289 S	11/1991	Saiger	
D338,744 S *	8/1993	Marlon et al.	D30/118
D344,860 S	3/1994	McGuire	
D406,473 S	3/1999	Lin et al.	
D425,714 S	5/2000	Sabo	
D439,427 S	3/2001	Vanderbyl	
D496,801 S *	10/2004	Vanderminden, Sr.	D6/349
D517,333 S	3/2006	Grosfillex	
D535,115 S *	1/2007	Roos et al.	D6/382

\* cited by examiner

*Primary Examiner* — Janice E Seeger

(74) *Attorney, Agent, or Firm* — Merchant & Gould PC

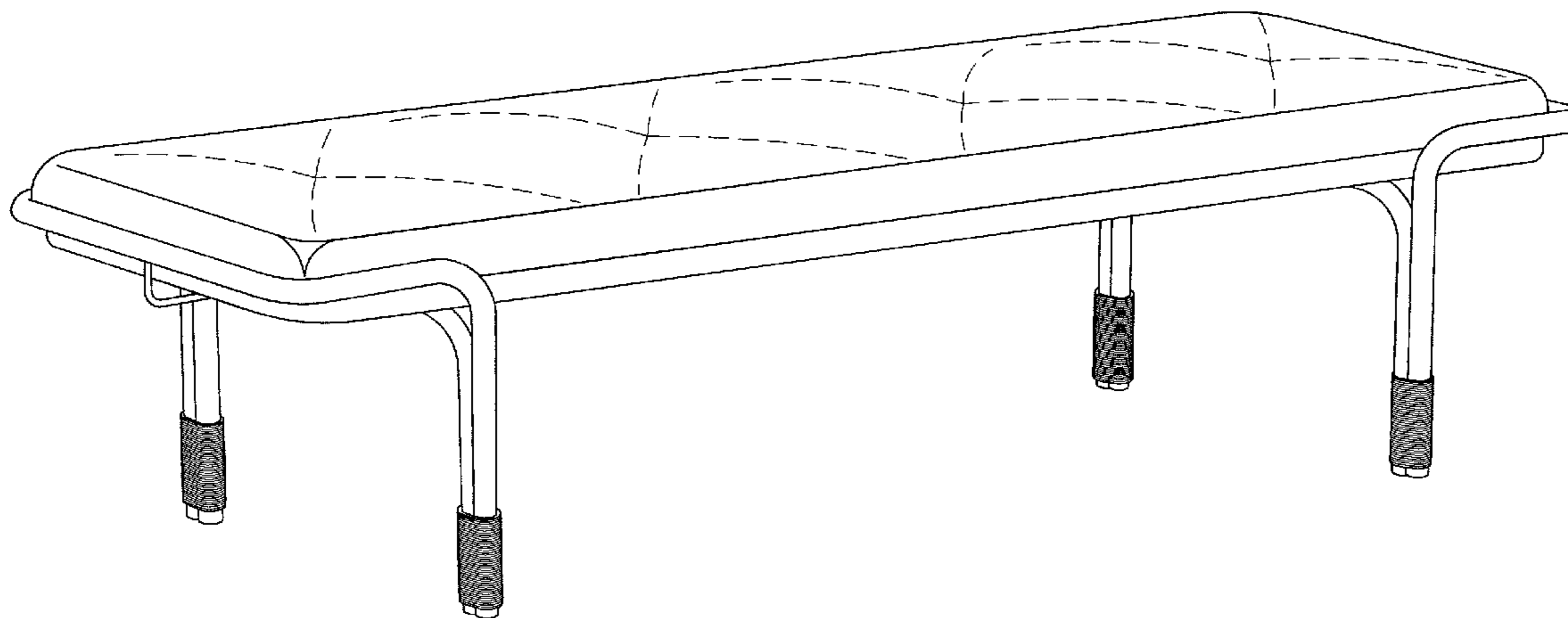
(57) **CLAIM**

The ornamental design for a daybed, as shown and described.

**DESCRIPTION**

FIG. 1 shows a perspective view of a daybed according to the principles of the present invention; FIG. 2 shows a right end view thereof, a left end view not being shown as it is a mirror image of the right end view; FIG. 3 shows a front elevational view thereof, a rear elevational view not being shown as it is a mirror image of the front elevational view; FIG. 4 shows a top plan view thereof; and, FIG. 5 shows a bottom plan view thereof. The broken lines are for environmental purposes only and form no part of the claimed design.

**1 Claim, 5 Drawing Sheets**



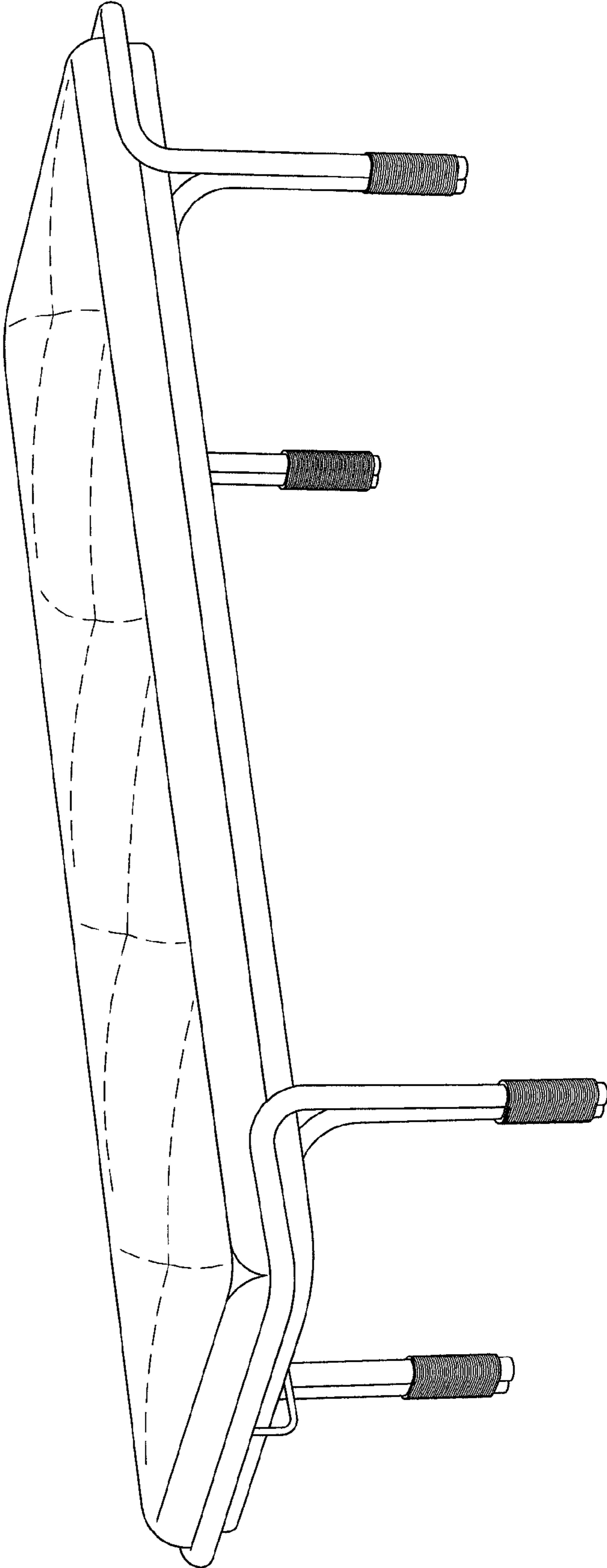


FIG. 1

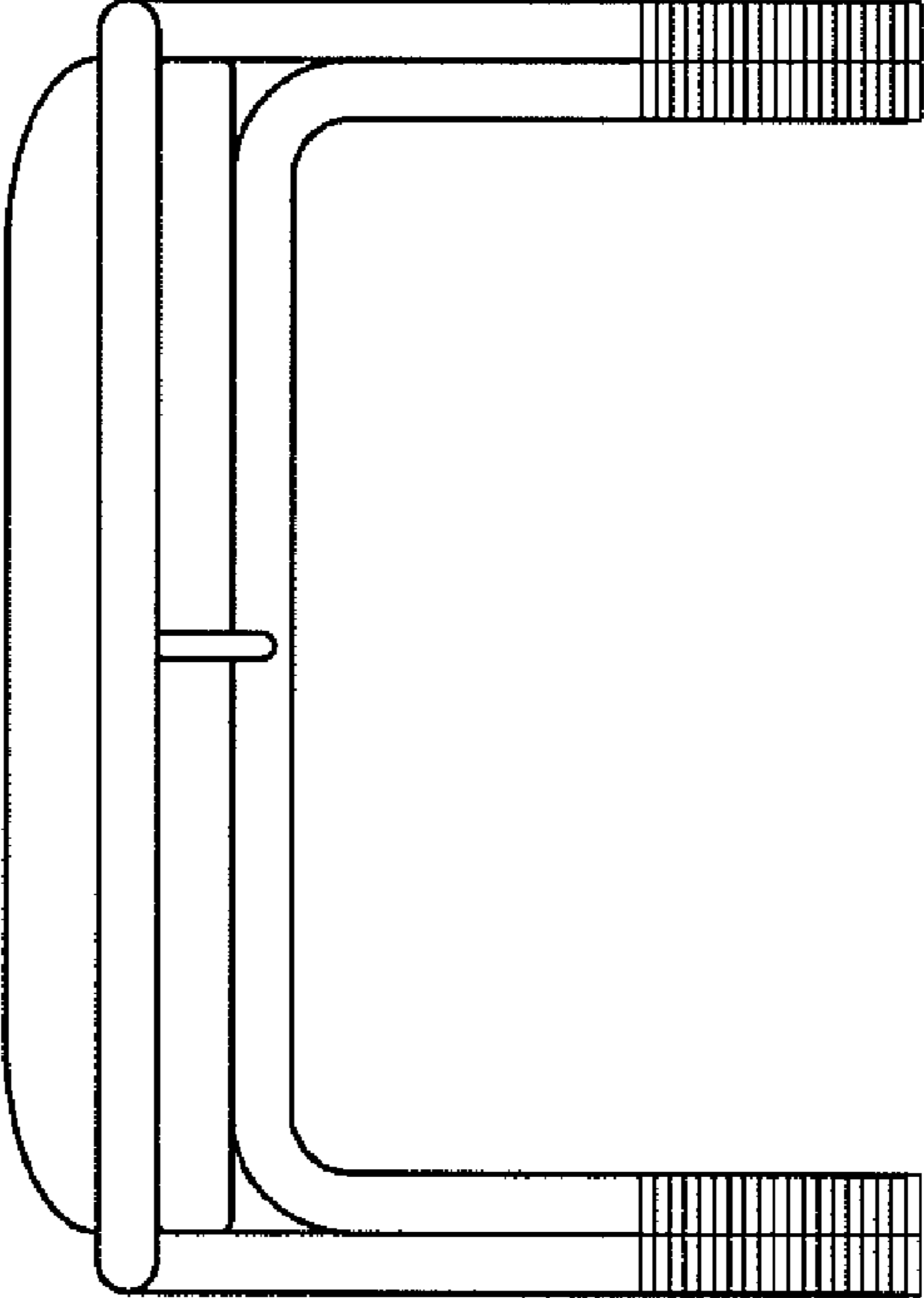
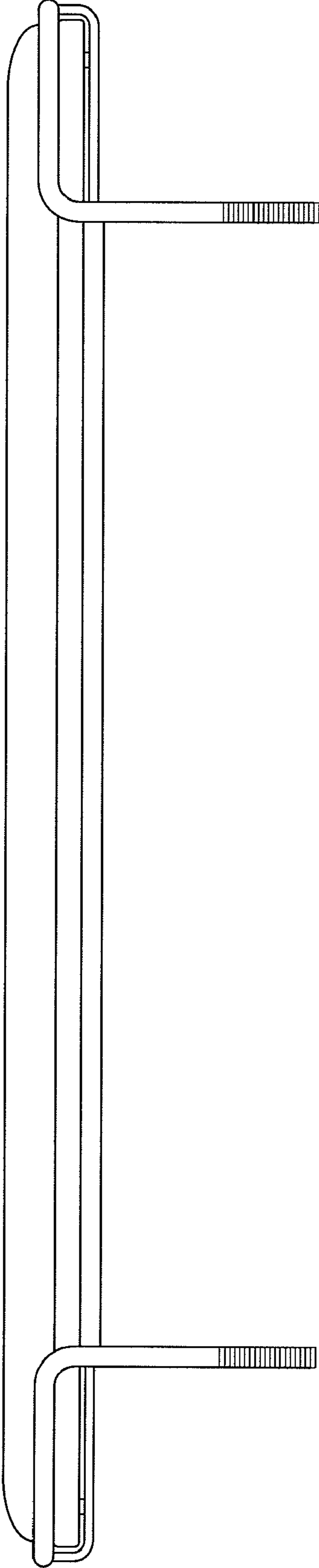


FIG. 2

FIG. 3



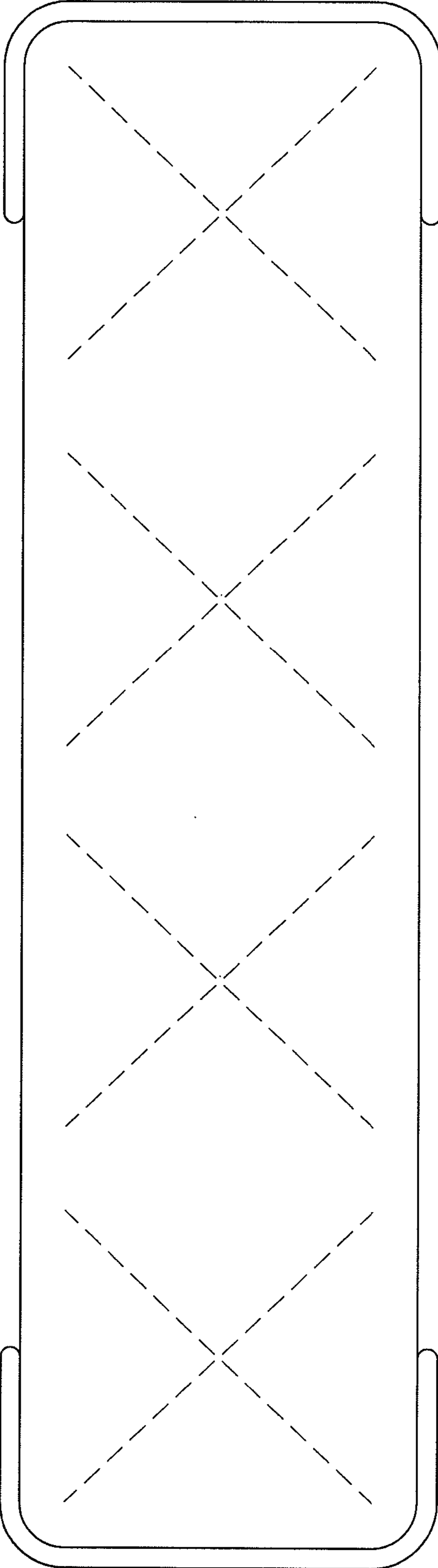


FIG. 4

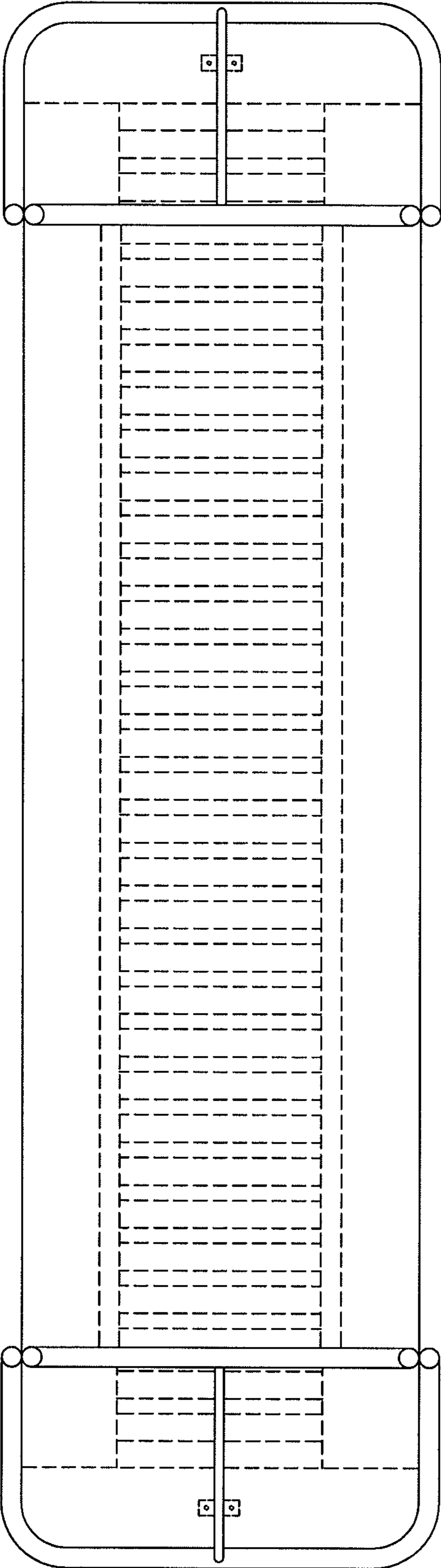


FIG. 5