



US00D640479S

(12) **United States Design Patent**  
**Sempe**

(10) **Patent No.:** **US D640,479 S**

(45) **Date of Patent:** **\*\* Jun. 28, 2011**

- (54) **SOFA**
- (75) Inventor: **Inga Sempe**, Paris (FR)
- (73) Assignee: **Roset S.A.** (FR)
- (\*\*) Term: **14 Years**
- (21) Appl. No.: **29/364,300**
- (22) Filed: **Jun. 22, 2010**

(30) **Foreign Application Priority Data**

Dec. 22, 2009 (WO) ..... DM/072 888

- (51) **LOC (9) Cl.** ..... **06-01**
- (52) **U.S. Cl.** ..... **D6/375**
- (58) **Field of Classification Search** ..... D6/334–335,  
D6/355, 361, 367–368, 370–375, 379–383,  
D6/500–502; 297/445.1, 446.1, 448.1–448.2,  
297/452.12, 452.48; 5/12.1–12.2, 45  
See application file for complete search history.

(56) **References Cited**

**U.S. PATENT DOCUMENTS**

D115,429 S *	6/1939	Stoll	.....	D6/381
D382,129 S *	8/1997	Lewis	.....	D6/381
D422,159 S *	4/2000	Lewis	.....	D6/381
D429,081 S *	8/2000	Gomez	.....	D6/381
D448,946 S *	10/2001	Goetz	.....	D6/381
D467,092 S *	12/2002	Vu	.....	D6/381
D477,472 S *	7/2003	Bauchet	.....	D6/381

D487,644 S *	3/2004	Natuzzi	.....	D6/381
D497,734 S *	11/2004	Nastri	.....	D6/381
D498,074 S *	11/2004	Gomez	.....	D6/381
D521,766 S *	5/2006	Natuzzi	.....	D6/381
D544,247 S *	6/2007	Natuzzi	.....	D6/381
D575,545 S *	8/2008	Weiss	.....	D6/381
D577,501 S *	9/2008	Fissette et al.	.....	D6/356
D583,585 S *	12/2008	Weiss	.....	D6/381
D601,824 S *	10/2009	Dordoni	.....	D6/381
D603,617 S *	11/2009	Weiss	.....	D6/381

\* cited by examiner

*Primary Examiner* — Elizabeth A Albert

*Assistant Examiner* — Kelley A Donnelly

(74) *Attorney, Agent, or Firm* — Cantor Colburn LLP

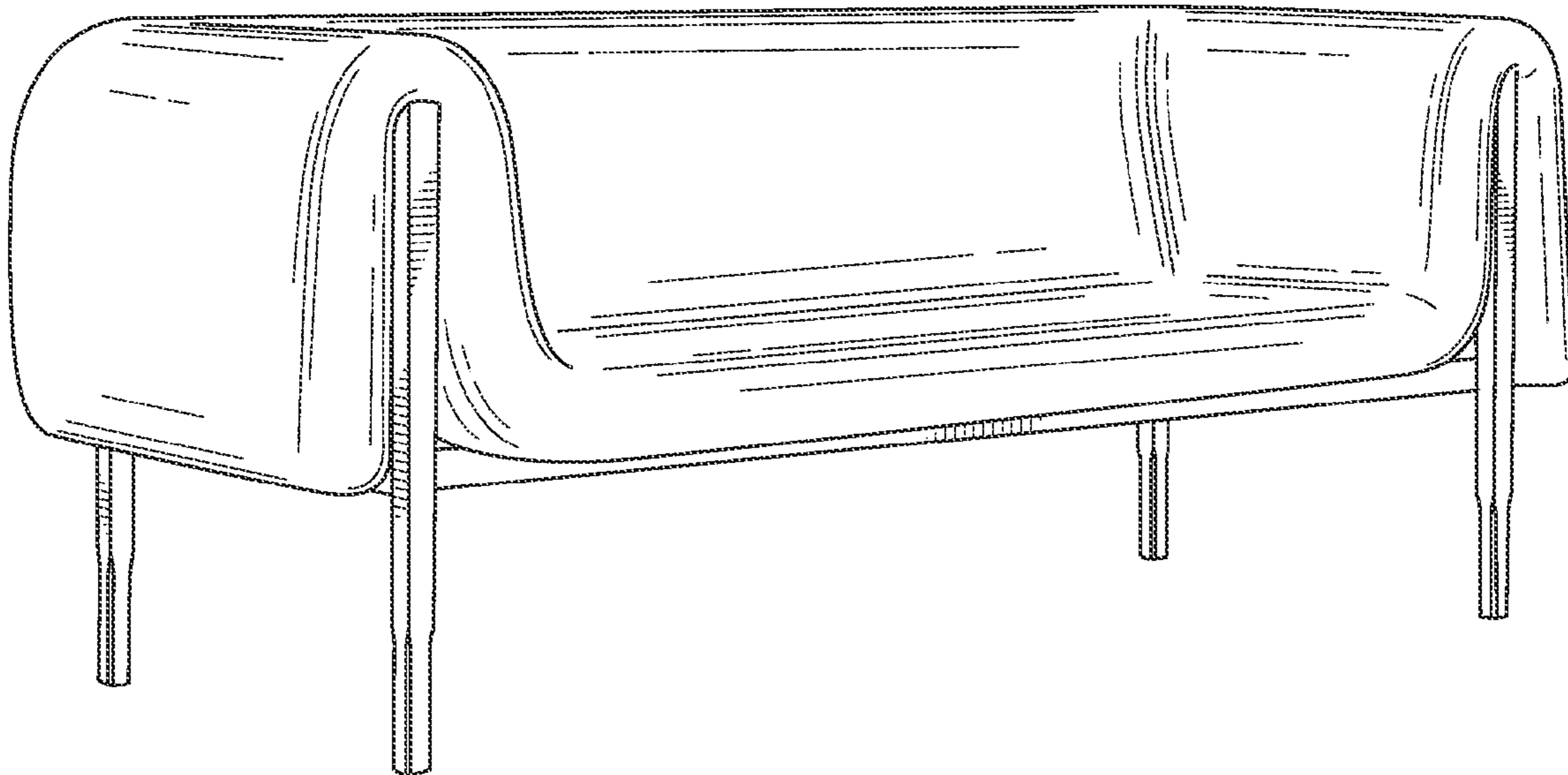
(57) **CLAIM**

I claim the ornamental design for a sofa, as shown and described.

**DESCRIPTION**

FIG. 1 is a front perspective view of a sofa, showing my new design;  
 FIG. 2 is a front elevation view thereof;  
 FIG. 3 is a rear elevation view thereof;  
 FIG. 4 is a side elevation view thereof taken from the left of FIG. 2;  
 FIG. 5 is a side elevation view thereof taken from the right of FIG. 2; and,  
 FIG. 6 is a top plan view thereof.

**1 Claim, 5 Drawing Sheets**



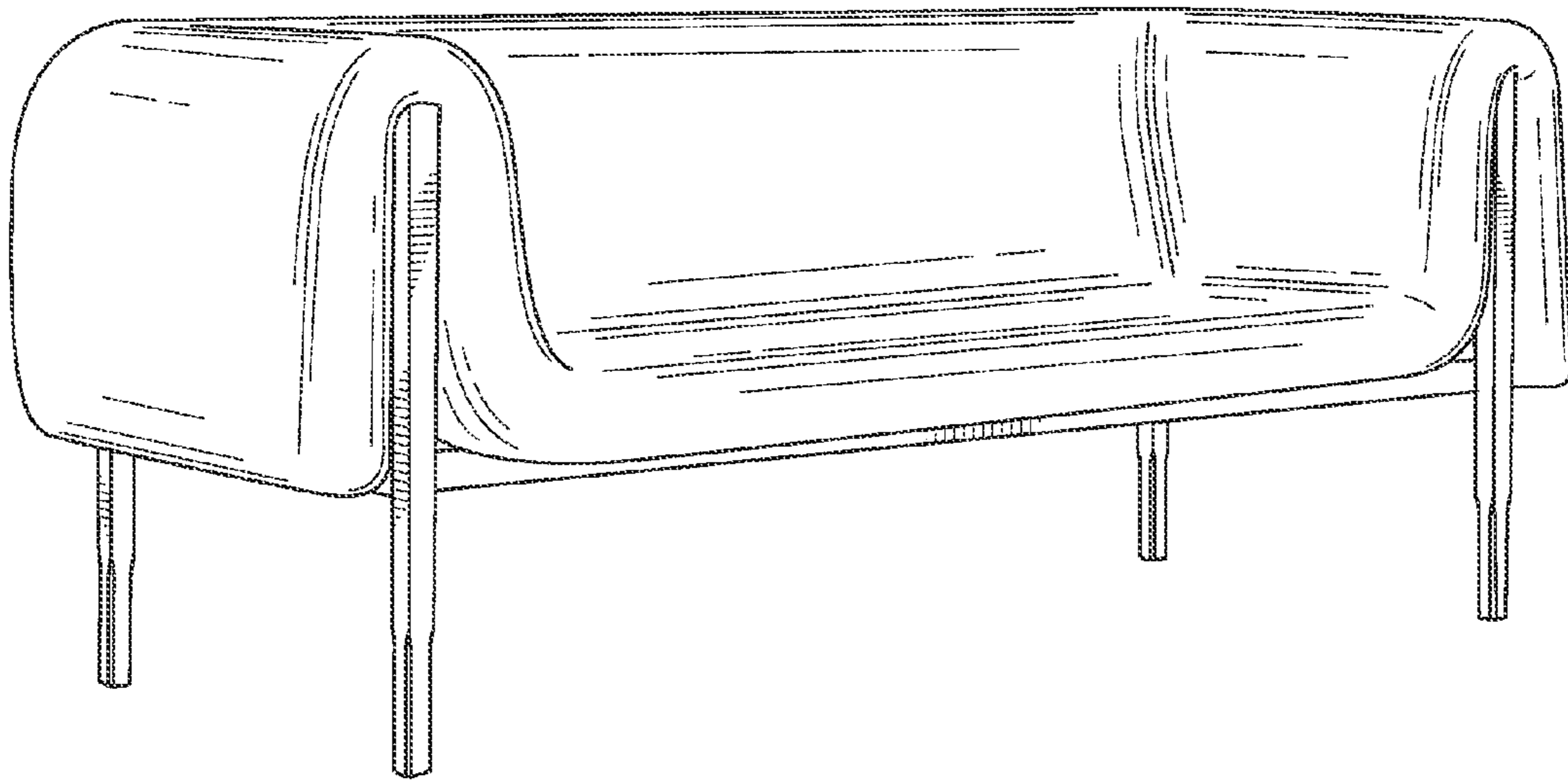


FIG. 1

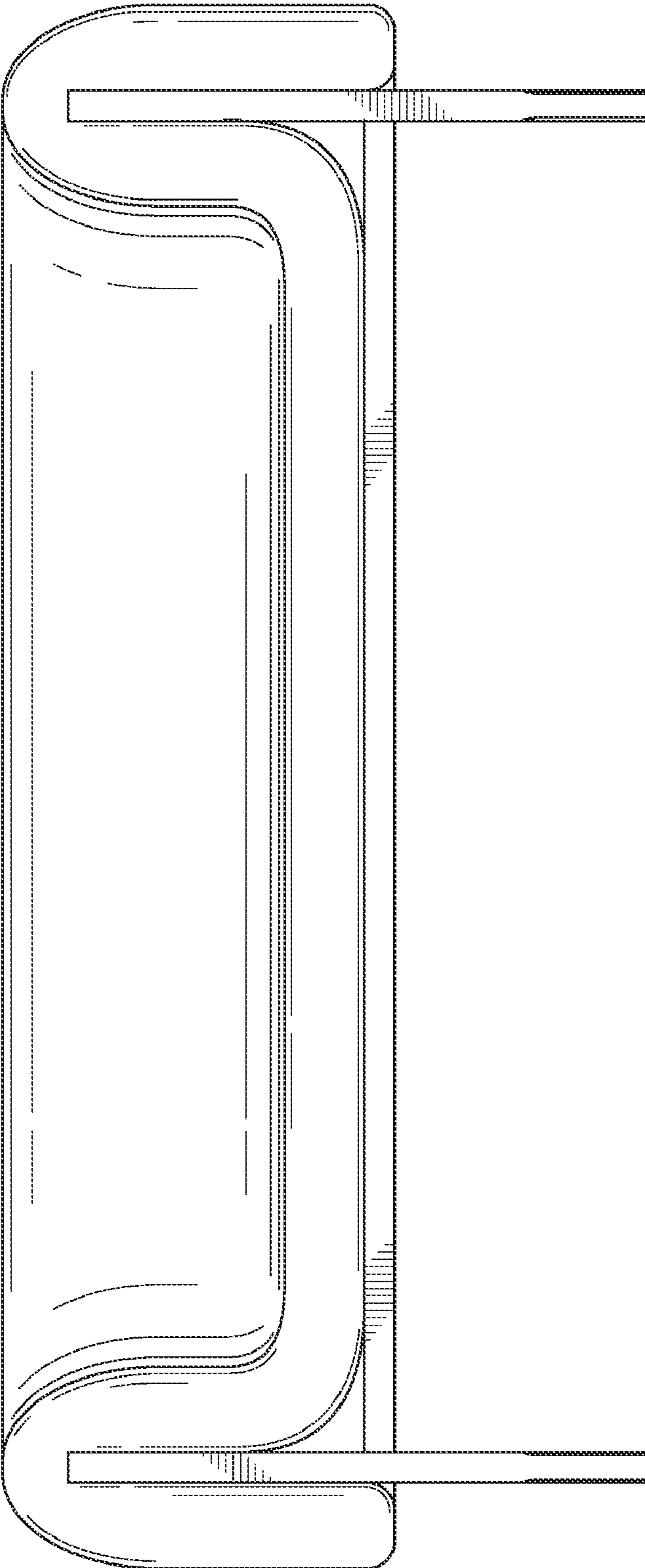


FIG. 2

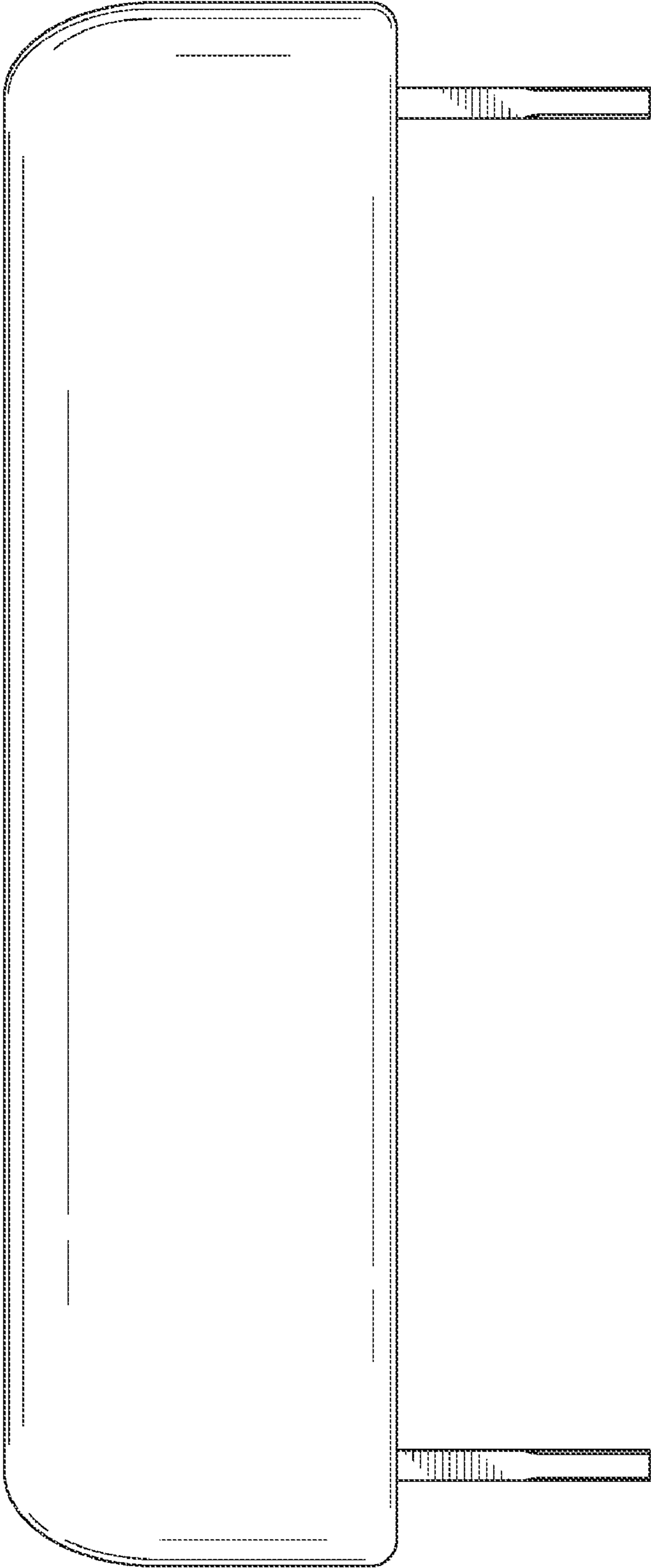


FIG. 3

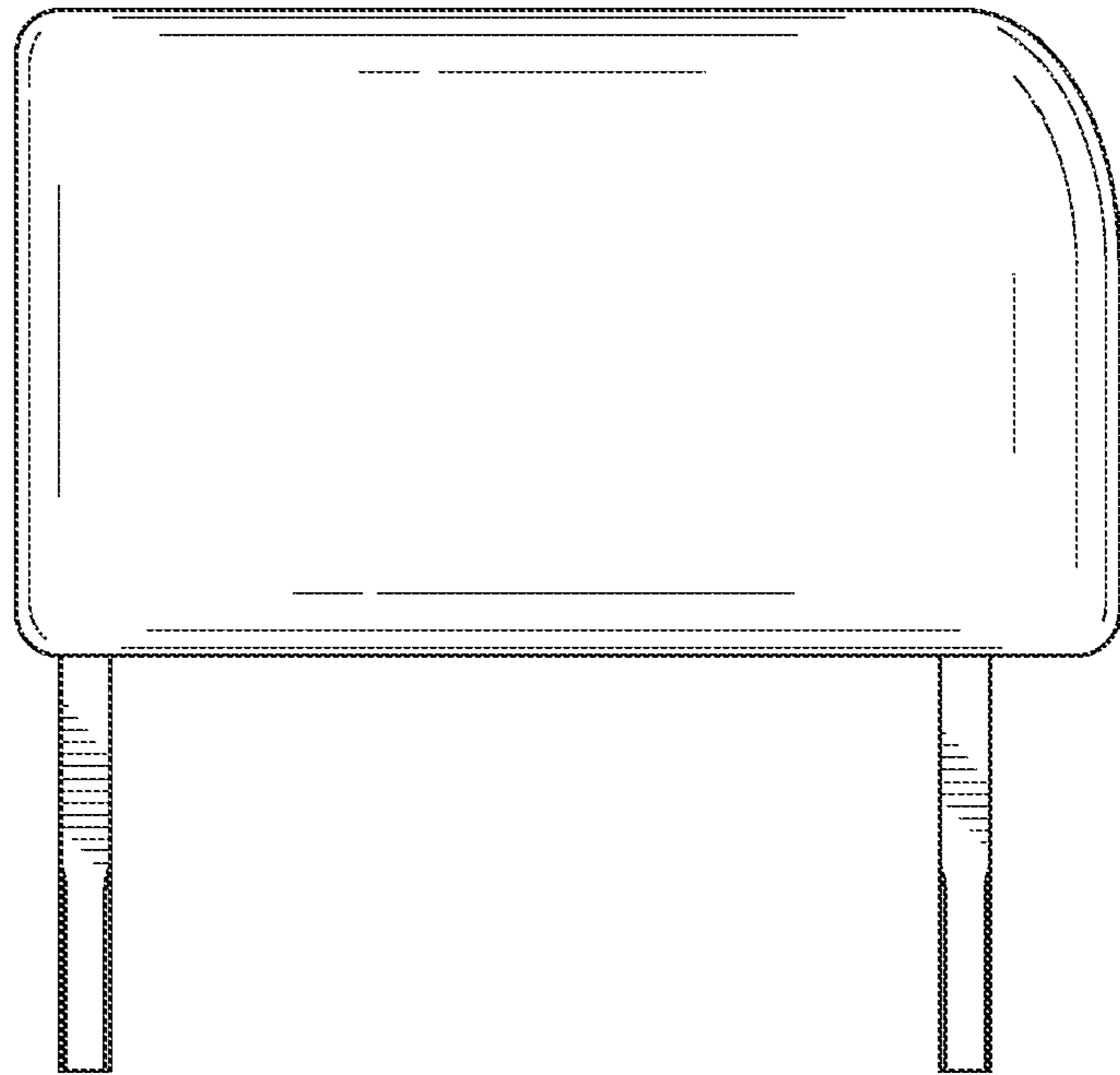


FIG. 4

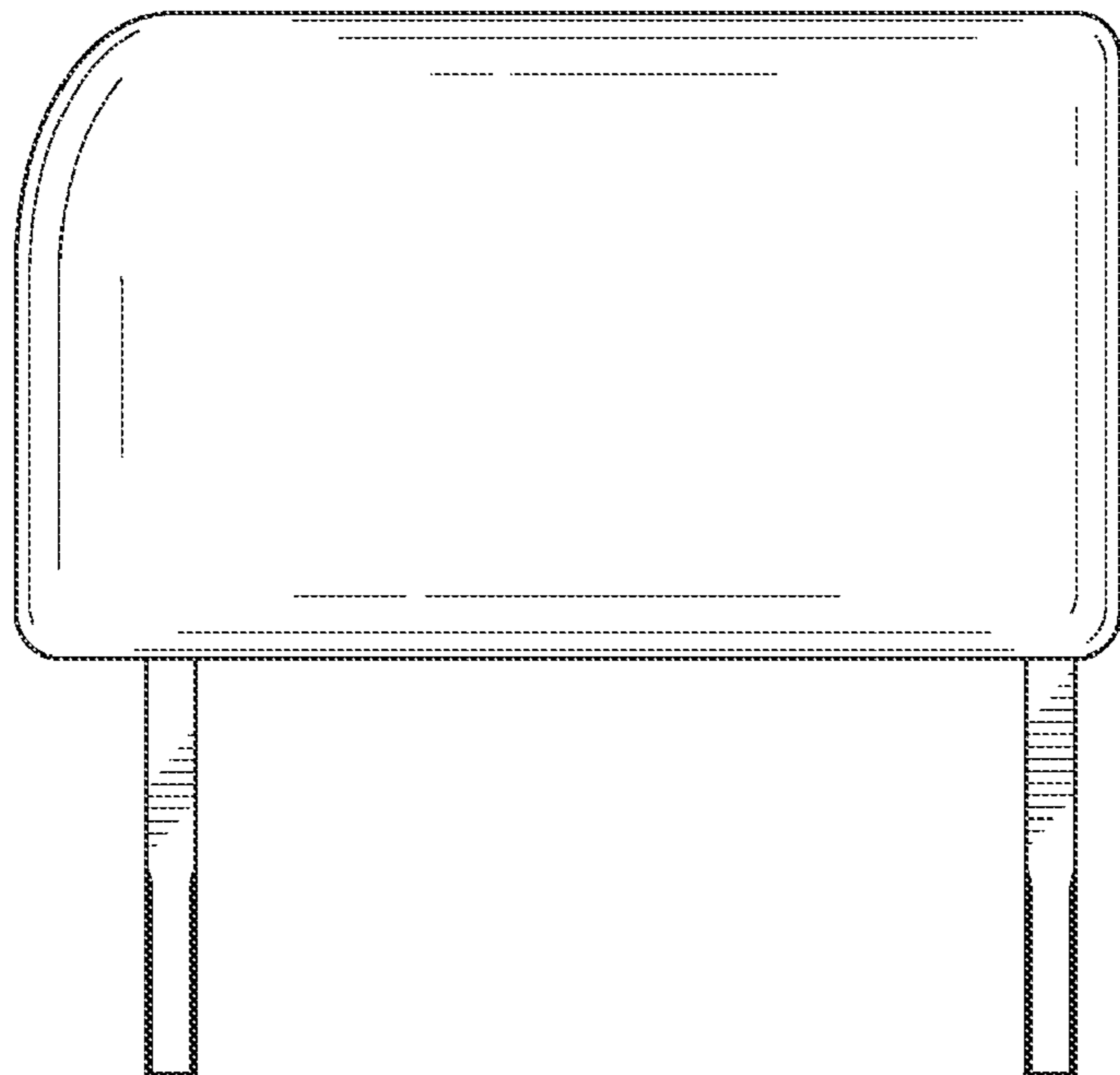


FIG. 5

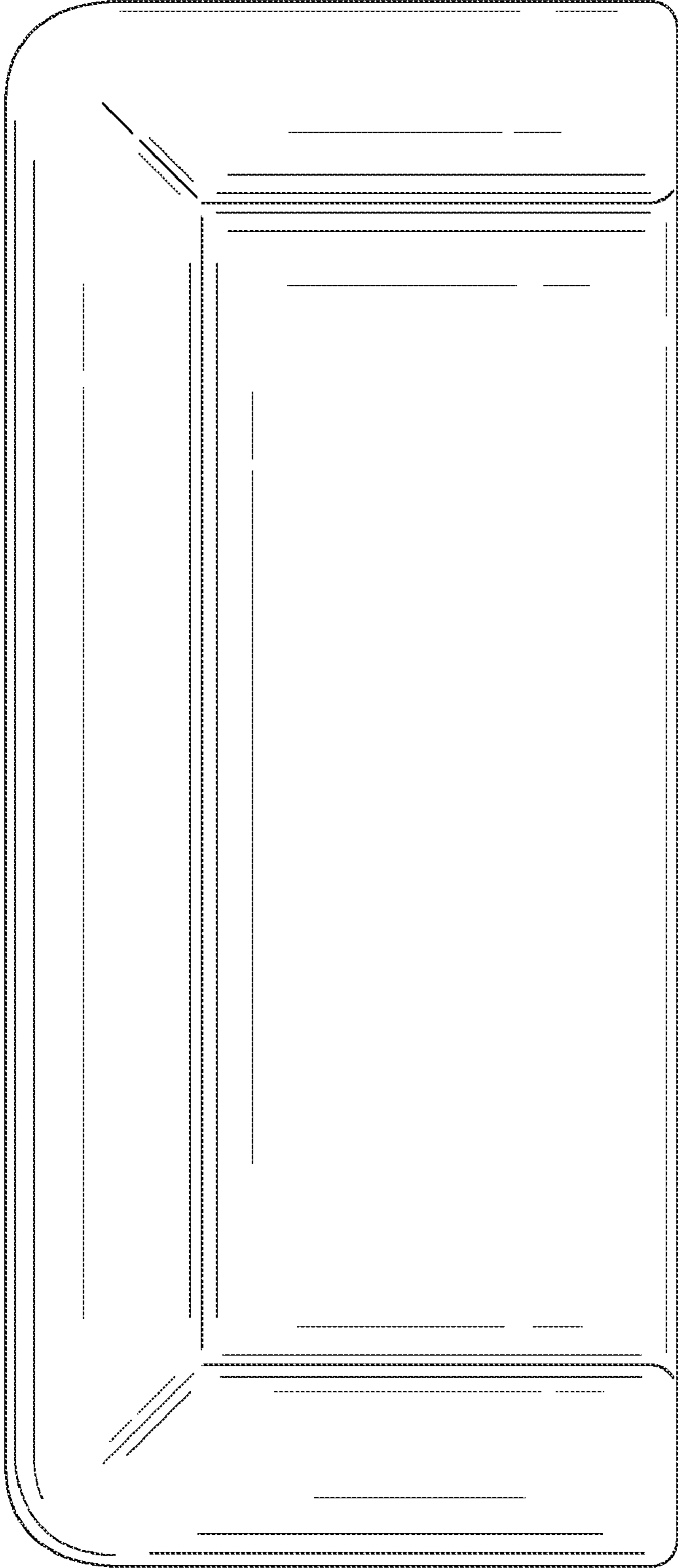


FIG. 6