



US00D640477S

(12) **United States Design Patent**
Neil

(10) **Patent No.:** **US D640,477 S**

(45) **Date of Patent:** **** *Jun. 28, 2011**

(54) **CHAIR**

(75) Inventor: **Gary Neil, Mississauga (CA)**

(73) Assignee: **Allseating Corporation, Mississauga (CA)**

(*) Notice: This patent is subject to a terminal disclaimer.

(**) Term: **14 Years**

(21) Appl. No.: **29/327,382**

(22) Filed: **Nov. 5, 2008**

(51) **LOC (9) Cl.** **06-01**

(52) **U.S. Cl.** **D6/366**

(58) **Field of Classification Search** D6/334-336,
D6/359-369, 374-375, 379-381, 498, 500-502;
297/284.4, 300.2, 411.27, 452.13, 452.19,
297/452.21, 452.29, 452.3, 452.56, 452.64
See application file for complete search history.

D545,076 S *	6/2007	Dallmann et al.	D6/366
D554,880 S *	11/2007	Breen	D6/366
D557,915 S *	12/2007	Ong	D6/366
D558,995 S *	1/2008	Igarashi	D6/366
D558,996 S *	1/2008	Igarashi	D6/366
D558,997 S *	1/2008	Igarashi	D6/366
D559,572 S *	1/2008	Igarashi	D6/366
D563,686 S *	3/2008	Raftery et al.	D6/366
D563,687 S *	3/2008	Neil	D6/366
D566,410 S *	4/2008	Neil	D6/366
D571,568 S *	6/2008	Overthun et al.	D6/366
D579,682 S *	11/2008	Neil	D6/366
D580,199 S *	11/2008	Su	D6/502
D597,331 S *	8/2009	Neil	D6/366
D600,462 S *	9/2009	Ooki et al.	D6/366
2002/0190564 A1 *	12/2002	Coffield et al.	297/452.56

* cited by examiner

Primary Examiner — Ricky Pham

(74) *Attorney, Agent, or Firm* — Macleod Dixon LLP

(57) **CLAIM**

The ornamental design for the “chair,” as shown and described.

DESCRIPTION

FIG. 1 is a front perspective view of the chair.
FIG. 2 is a back perspective view of the chair.
FIG. 3 is a right side view of the chair.
FIG. 4 is a front view of the chair.
FIG. 5 is a left side view of the chair.
FIG. 6 is a back view of the chair.
FIG. 7 is a top view of the chair; and,
FIG. 8 is a bottom view of the chair.

1 Claim, 8 Drawing Sheets

(56) **References Cited**

U.S. PATENT DOCUMENTS

D467,443 S *	12/2002	Kwon	D6/366
D476,821 S *	7/2003	Koepke et al.	D6/366
6,669,292 B2 *	12/2003	Koepke et al.	297/300.2
6,729,691 B2 *	5/2004	Koepke et al.	297/452.56
D494,768 S *	8/2004	Su	D6/366
D505,798 S *	6/2005	Seiler	D6/366
D535,112 S *	1/2007	Bernett et al.	D6/366
D540,580 S *	4/2007	Su	D6/502
D541,061 S *	4/2007	Benden et al.	D6/366
D541,063 S *	4/2007	Su	D6/366



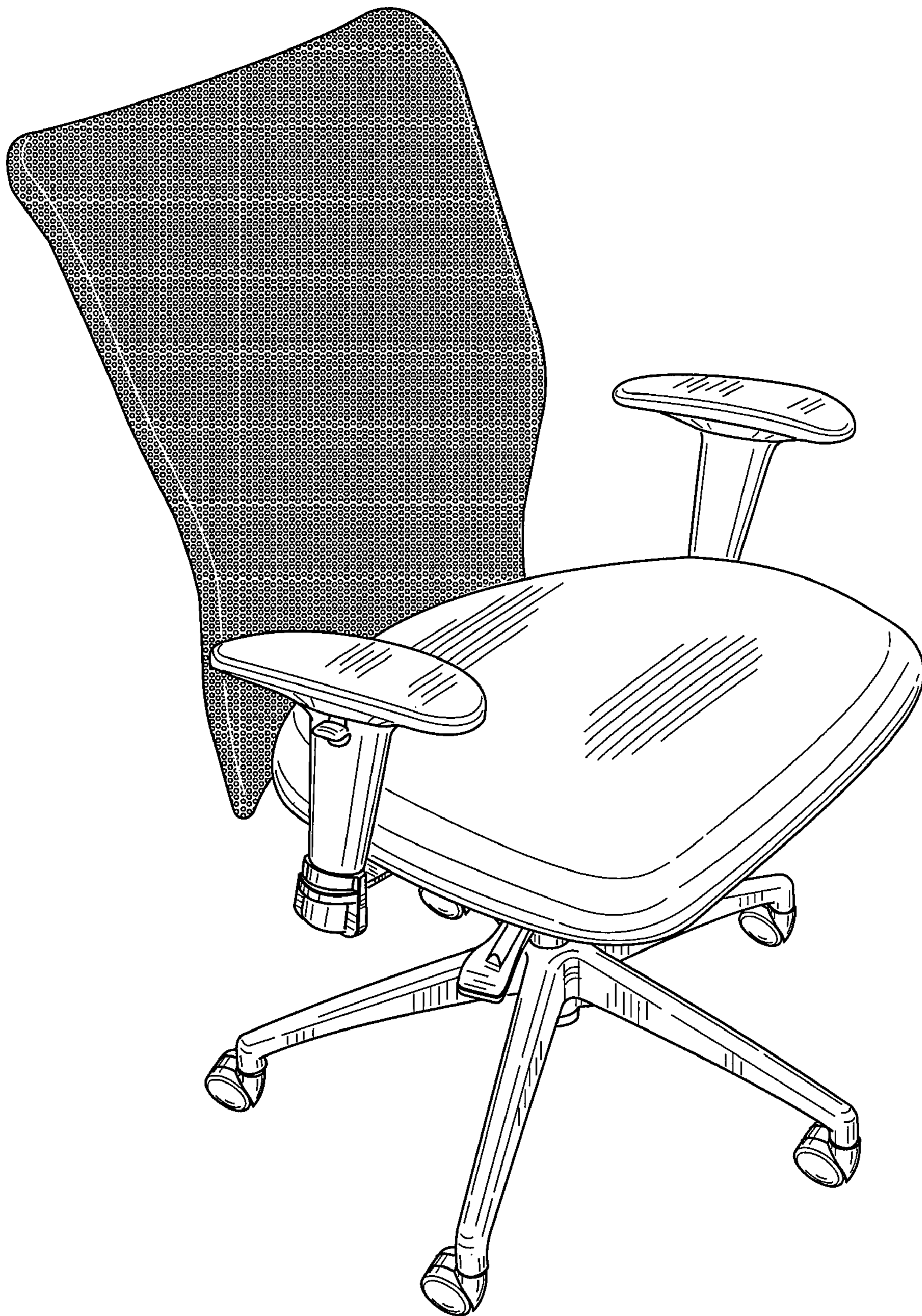


FIG. 1



FIG. 2

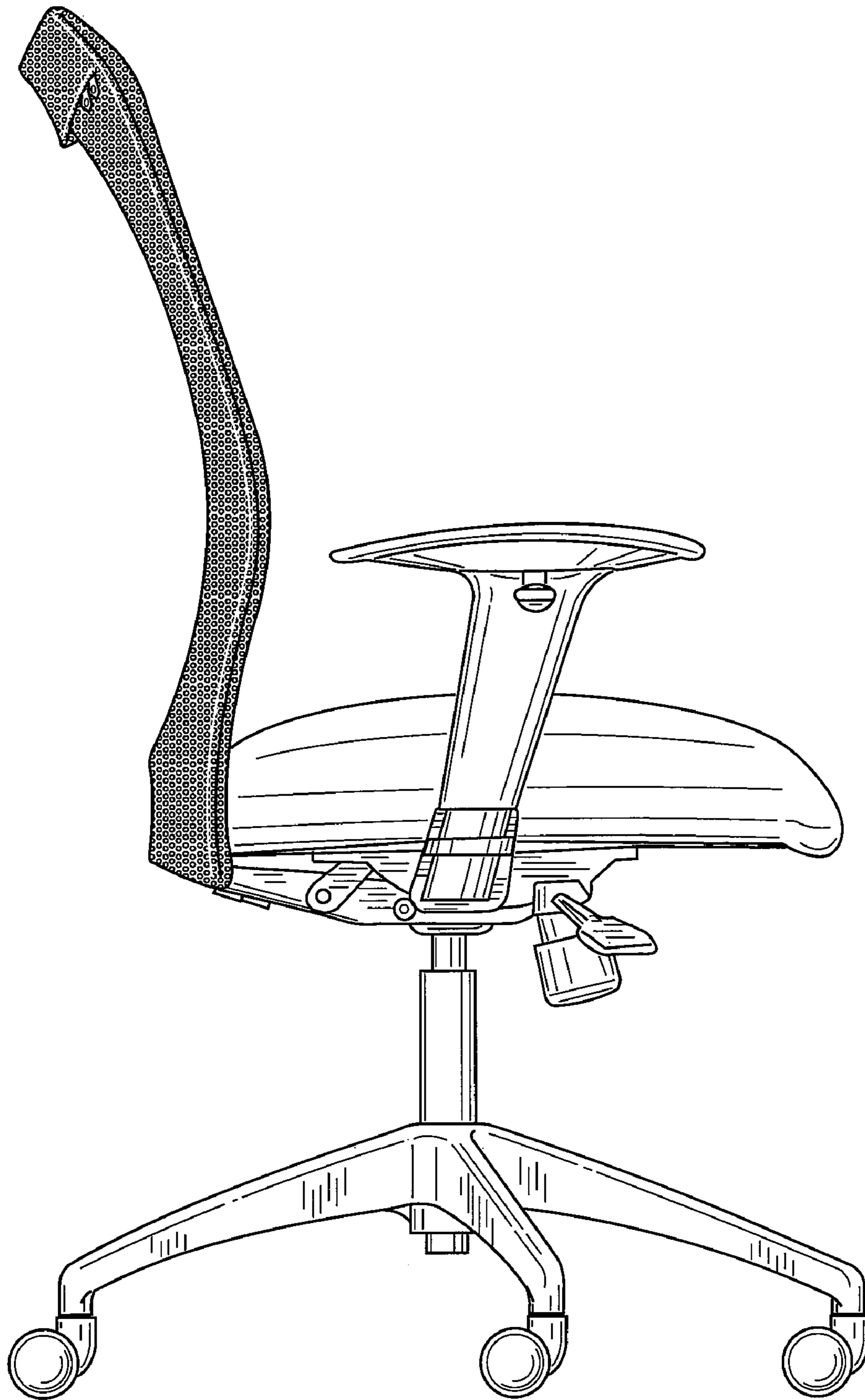


FIG. 3

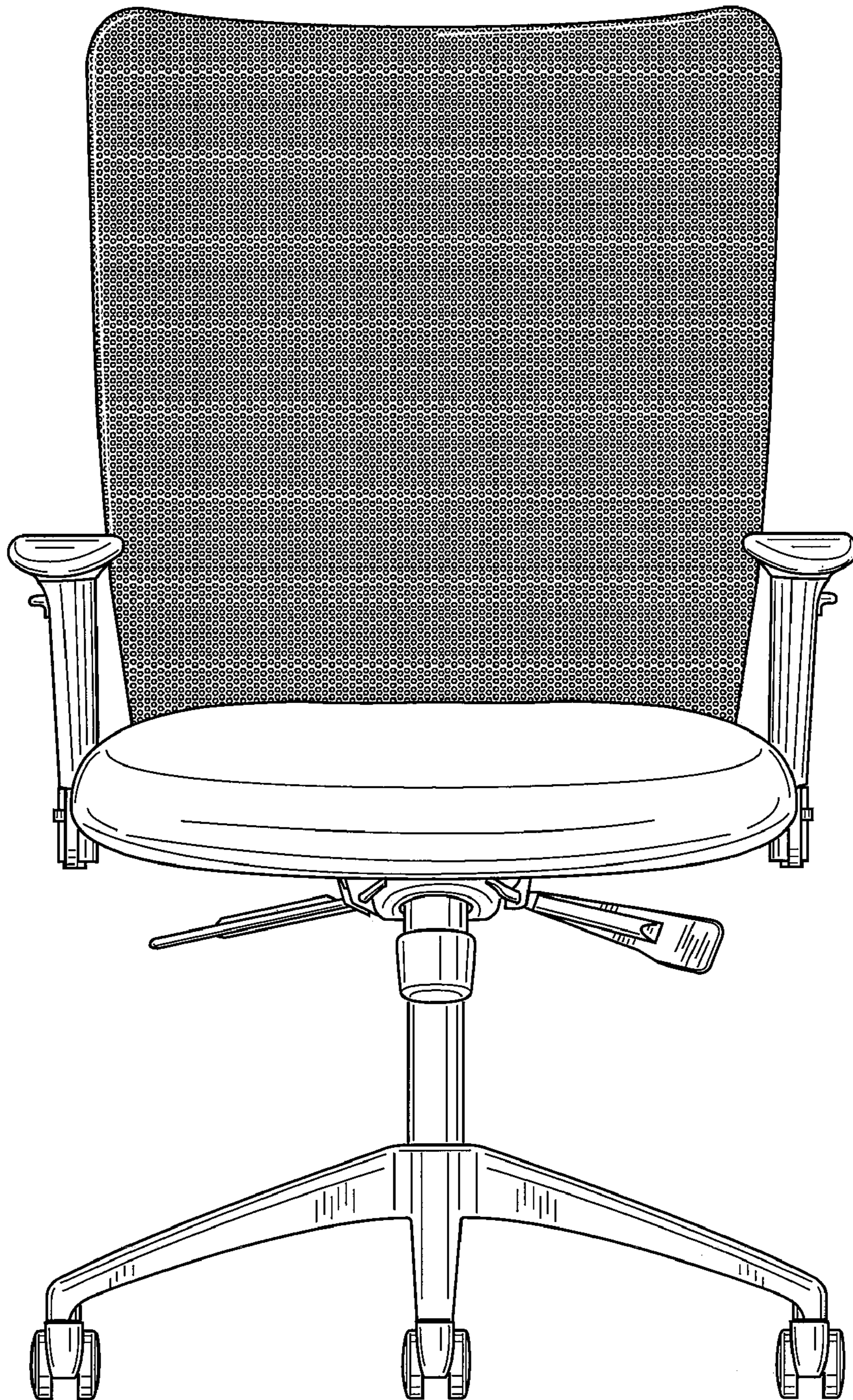


FIG. 4

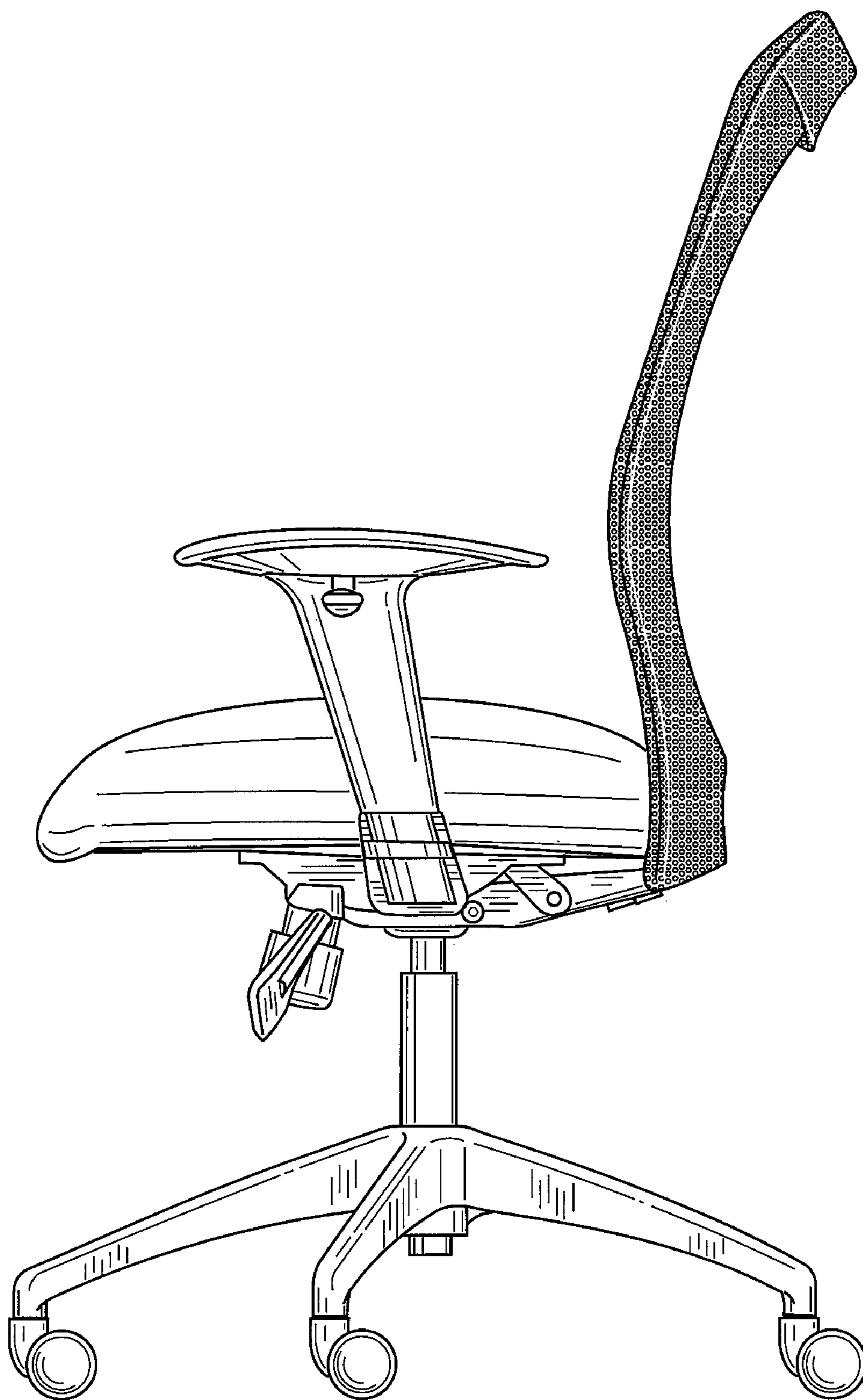


FIG. 5

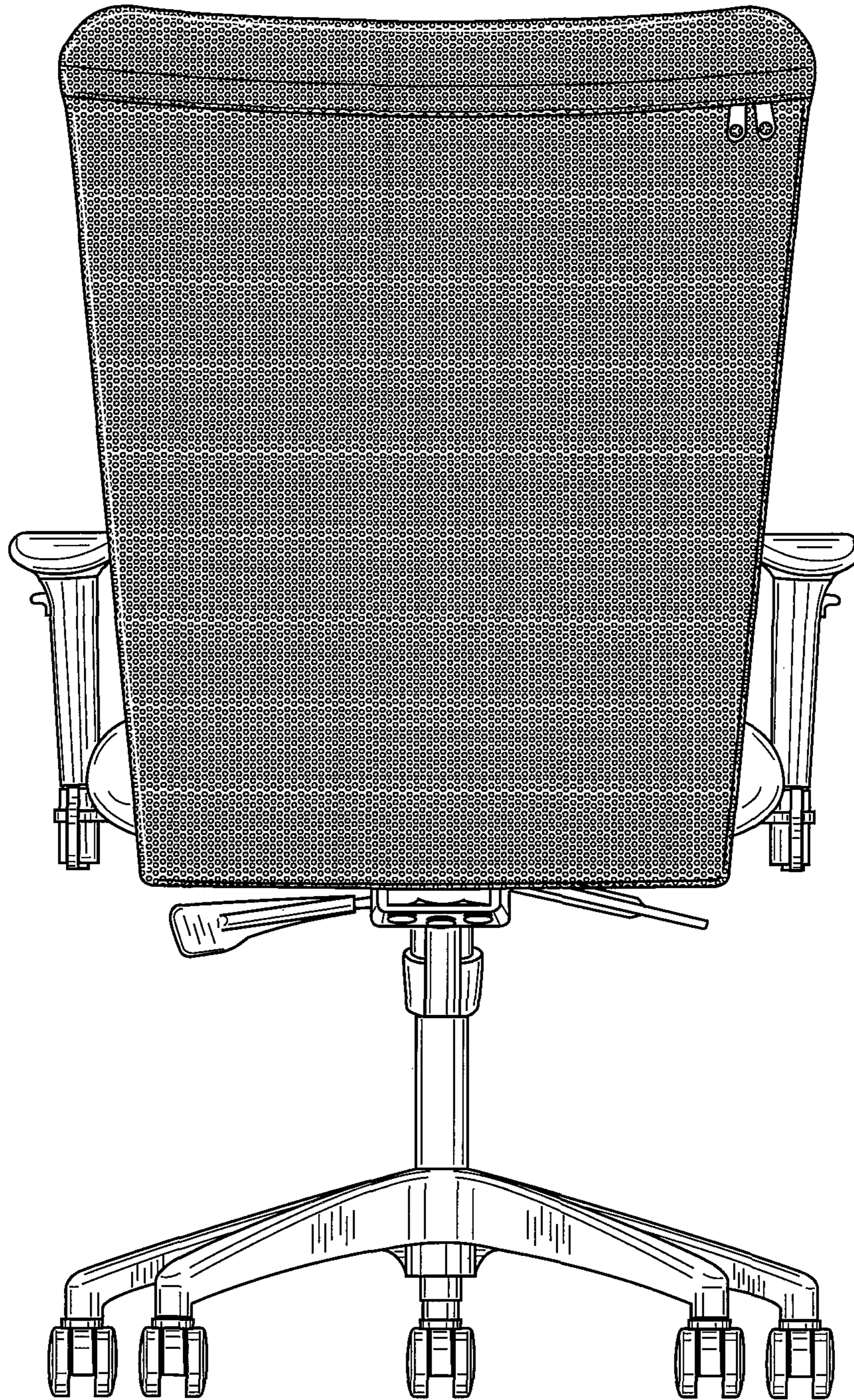


FIG. 6

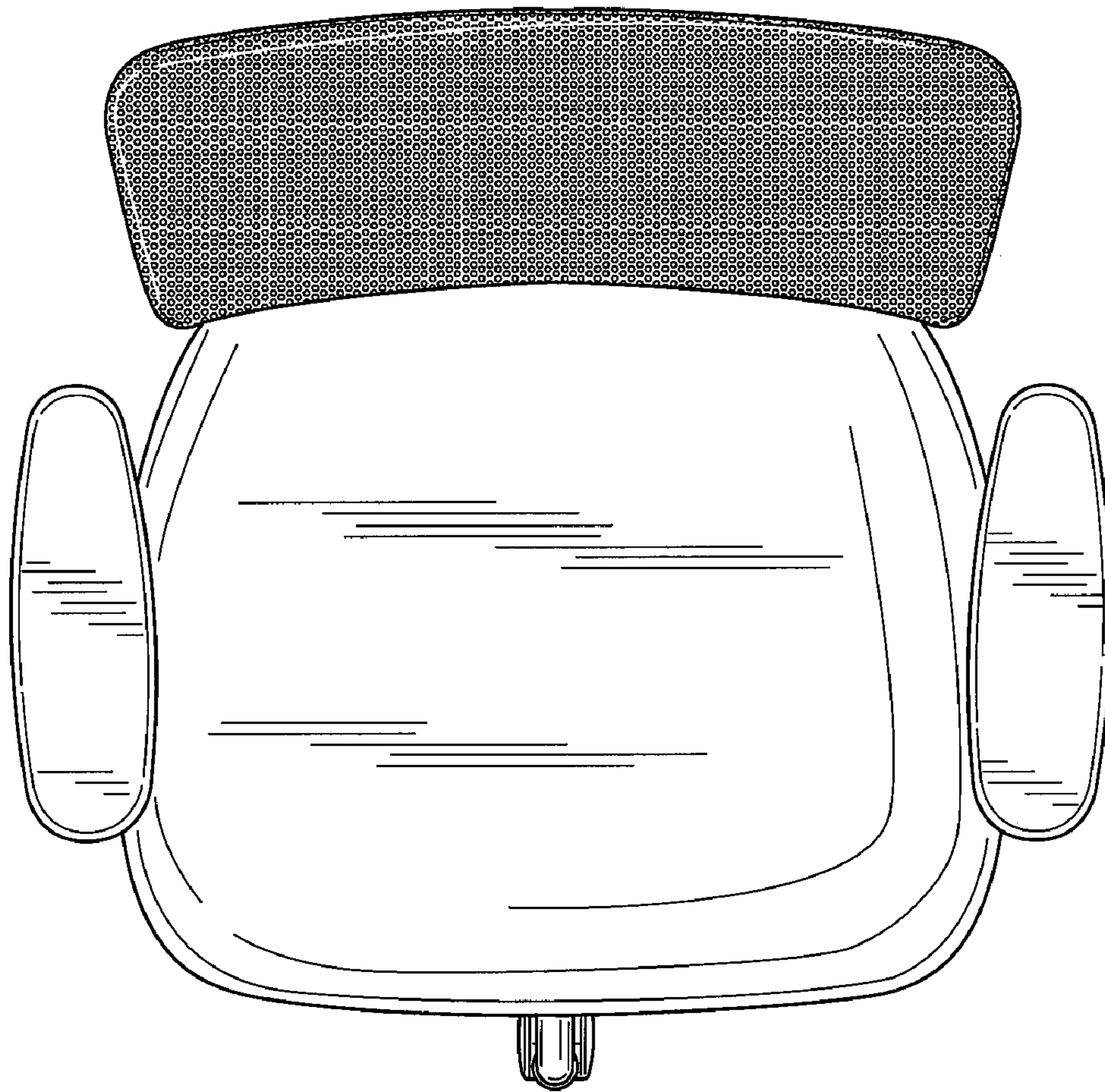


FIG. 7

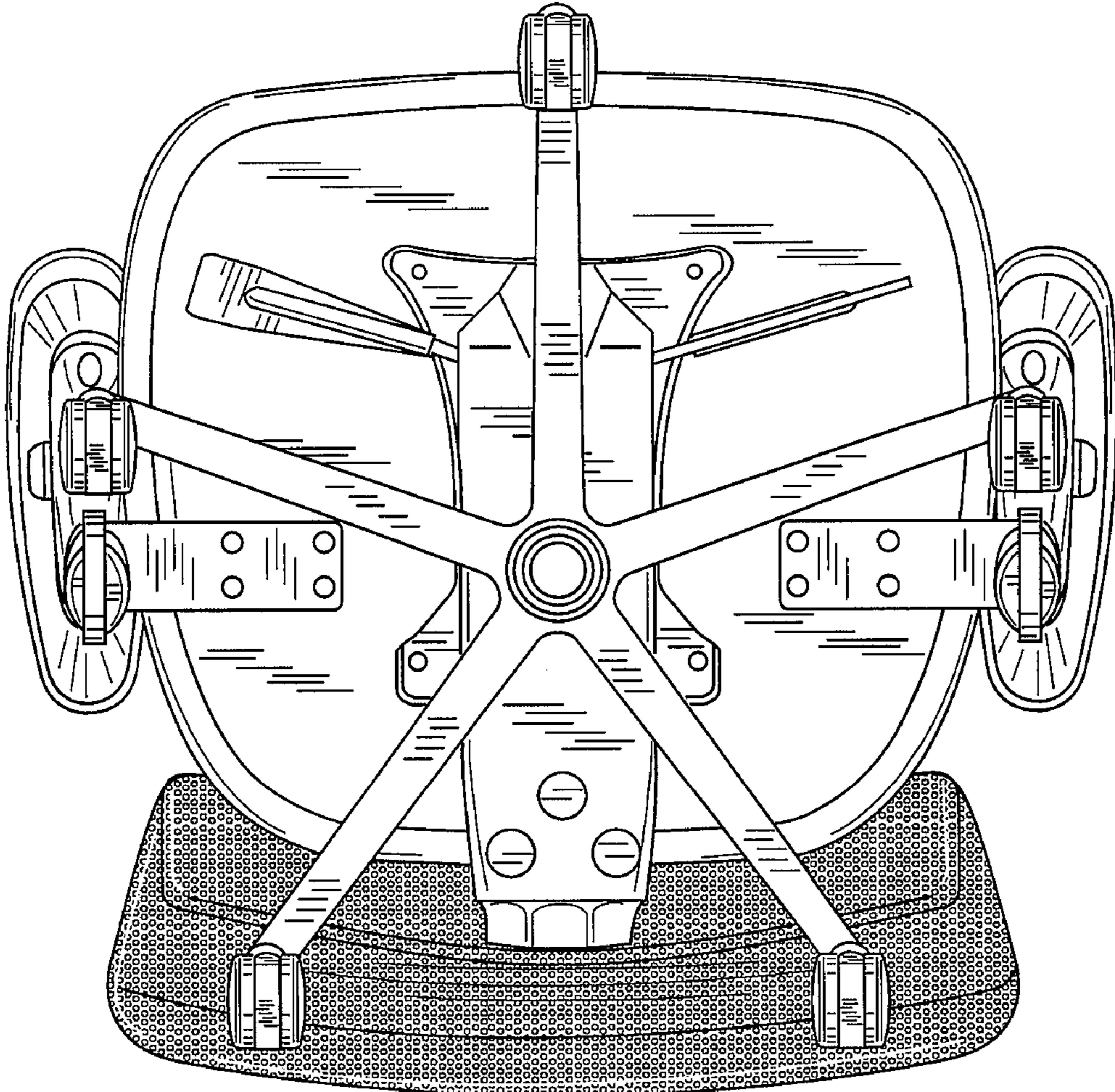


FIG. 8