



US00D640470S

(12) **United States Design Patent**  
**Spagnuolo**

(10) **Patent No.:** **US D640,470 S**

(45) **Date of Patent:** **\*\* \*Jun. 28, 2011**

(54) **HAIR HIGHLIGHTER NOZZLE**

(76) Inventor: **Rose Spagnuolo**, Staten Island, NY (US)

(\* ) Notice: This patent is subject to a terminal disclaimer.

(\*\*) Term: **14 Years**

(21) Appl. No.: **29/370,602**

(22) Filed: **Aug. 10, 2010**

(51) **LOC (9) Cl.** ..... **04-01**

(52) **U.S. Cl.** ..... **D4/114; D28/7**

(58) **Field of Classification Search** ..... D28/7,  
D28/20; D4/114, 115, 116, 130, 136; D9/715,  
D9/436, 723, 718; 401/28, 126-129, 291,  
401/287; 132/116, 212; 15/186-188  
See application file for complete search history.

(56) **References Cited**

U.S. PATENT DOCUMENTS

3,424,176	A	1/1969	Hale	
3,523,630	A	8/1970	Catapano	
4,592,376	A	6/1986	Sigmund et al.	
5,152,305	A	10/1992	Niv	
5,499,637	A	3/1996	Foti	
D400,358	S *	11/1998	Zemel	D4/114
D403,164	S *	12/1998	Daughtry	D4/114

6,062,230	A	5/2000	Kajgana	
6,691,712	B2	2/2004	Chu et al.	
D547,004	S *	7/2007	Davis et al.	D28/20
D554,799	S *	11/2007	Sheppard et al.	D28/7
D602,633	S	10/2009	Spagnuolo	
D612,614	S *	3/2010	Maxwell	D4/114
2003/0041869	A1 *	3/2003	Dovergne et al.	132/116
2004/0240929	A1 *	12/2004	Watson	401/286
2007/0251537	A1 *	11/2007	De Laforcade	132/116
2008/0060665	A1 *	3/2008	Umeno et al.	132/112

\* cited by examiner

*Primary Examiner* — Jennifer Rivard

(74) *Attorney, Agent, or Firm* — Richard L. Miller

(57) **CLAIM**

The ornamental design for a hair highlighter nozzle, as shown and described.

**DESCRIPTION**

FIG. 1 is a perspective view of a hair highlighter nozzle showing my new design.

FIG. 2 is a front elevational view thereof, the rear view being a mirror image;

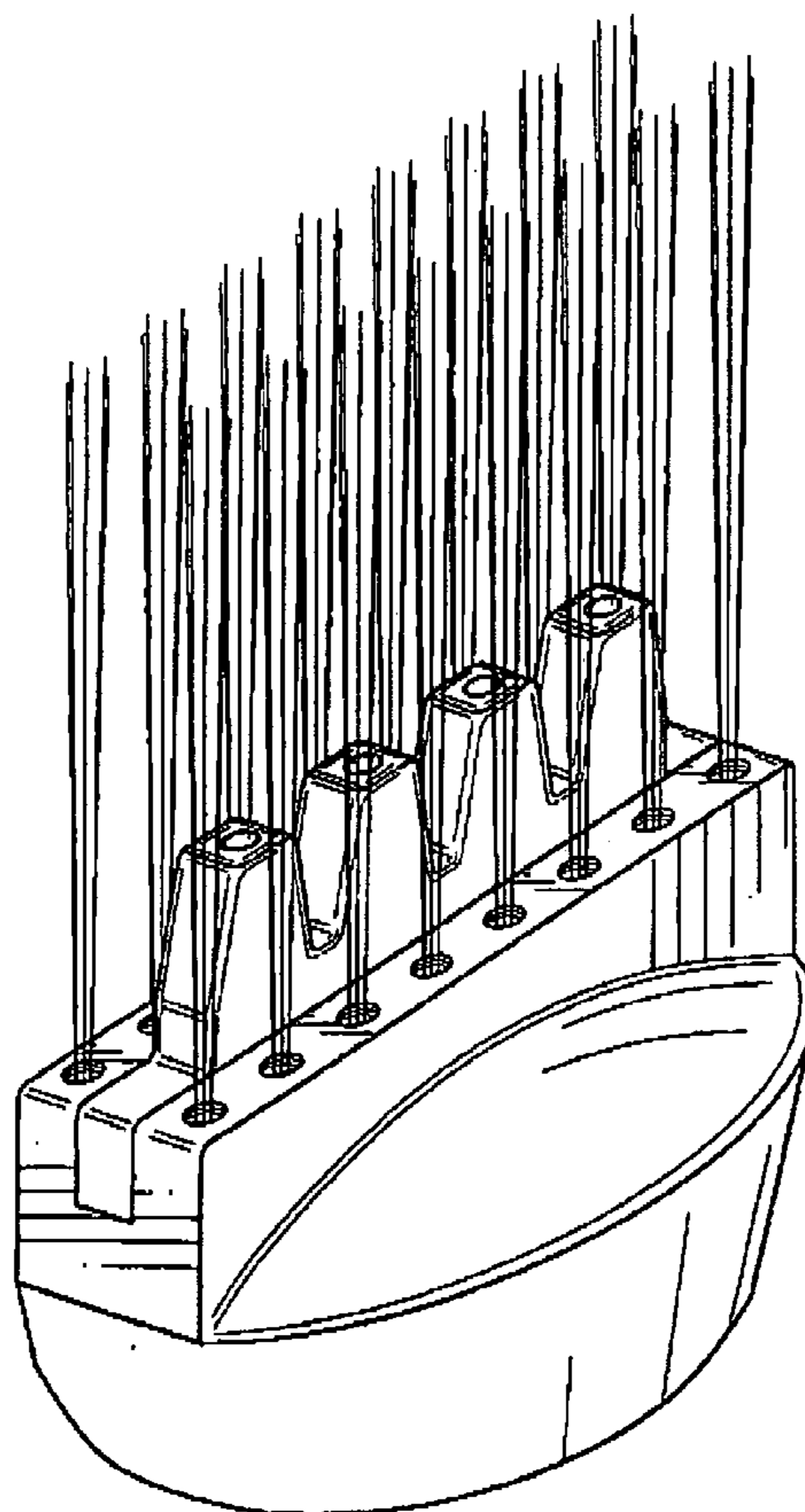
FIG. 3 is a side elevational view thereof, the opposite side being a mirror image;

FIG. 4 is a top plan view thereof;

FIG. 5 is a bottom plan view thereof; and,

FIG. 6 is a cross sectional view taken on line 6—6 in FIG. 4.

**1 Claim, 5 Drawing Sheets**



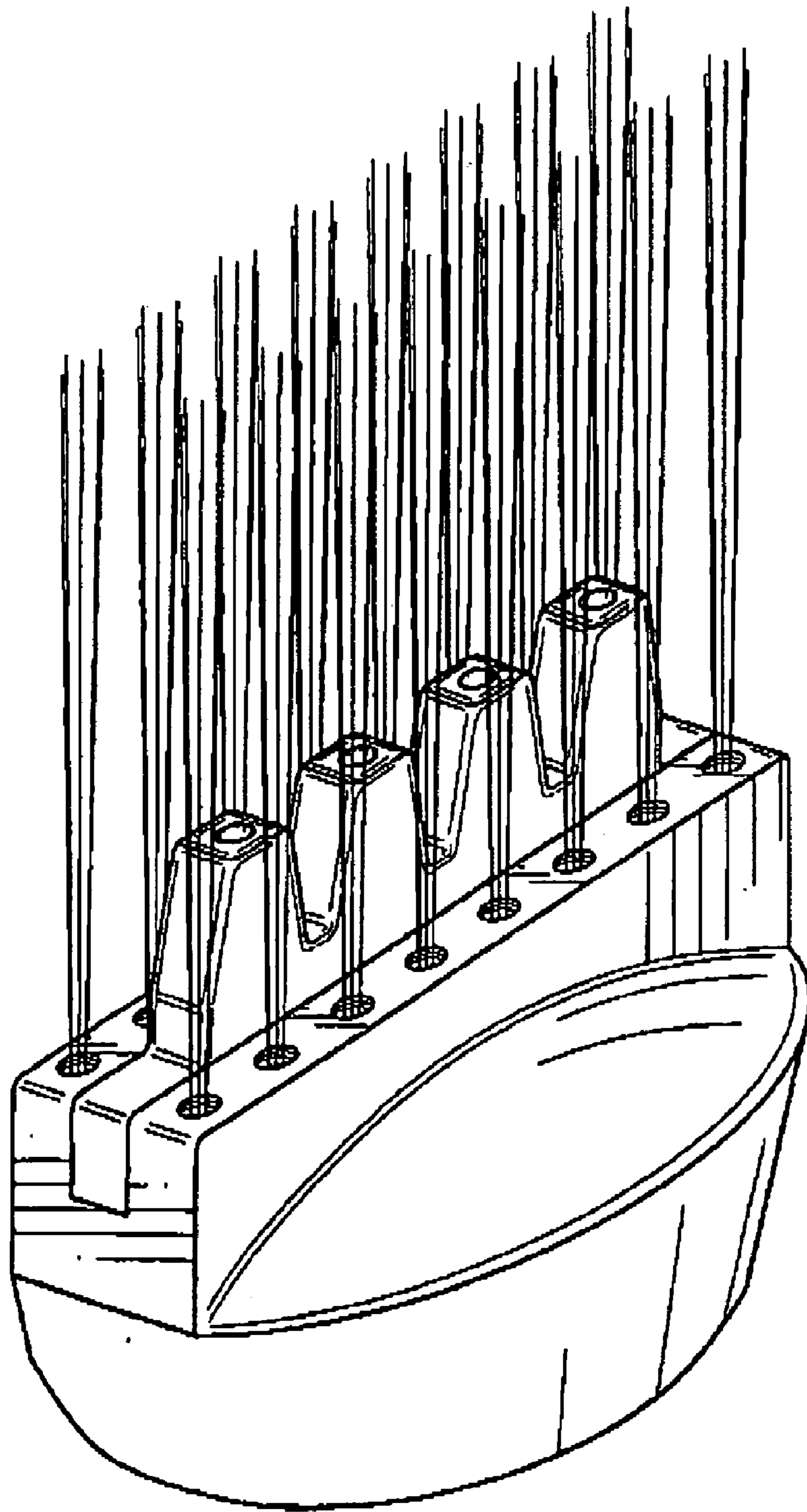


FIG. 1

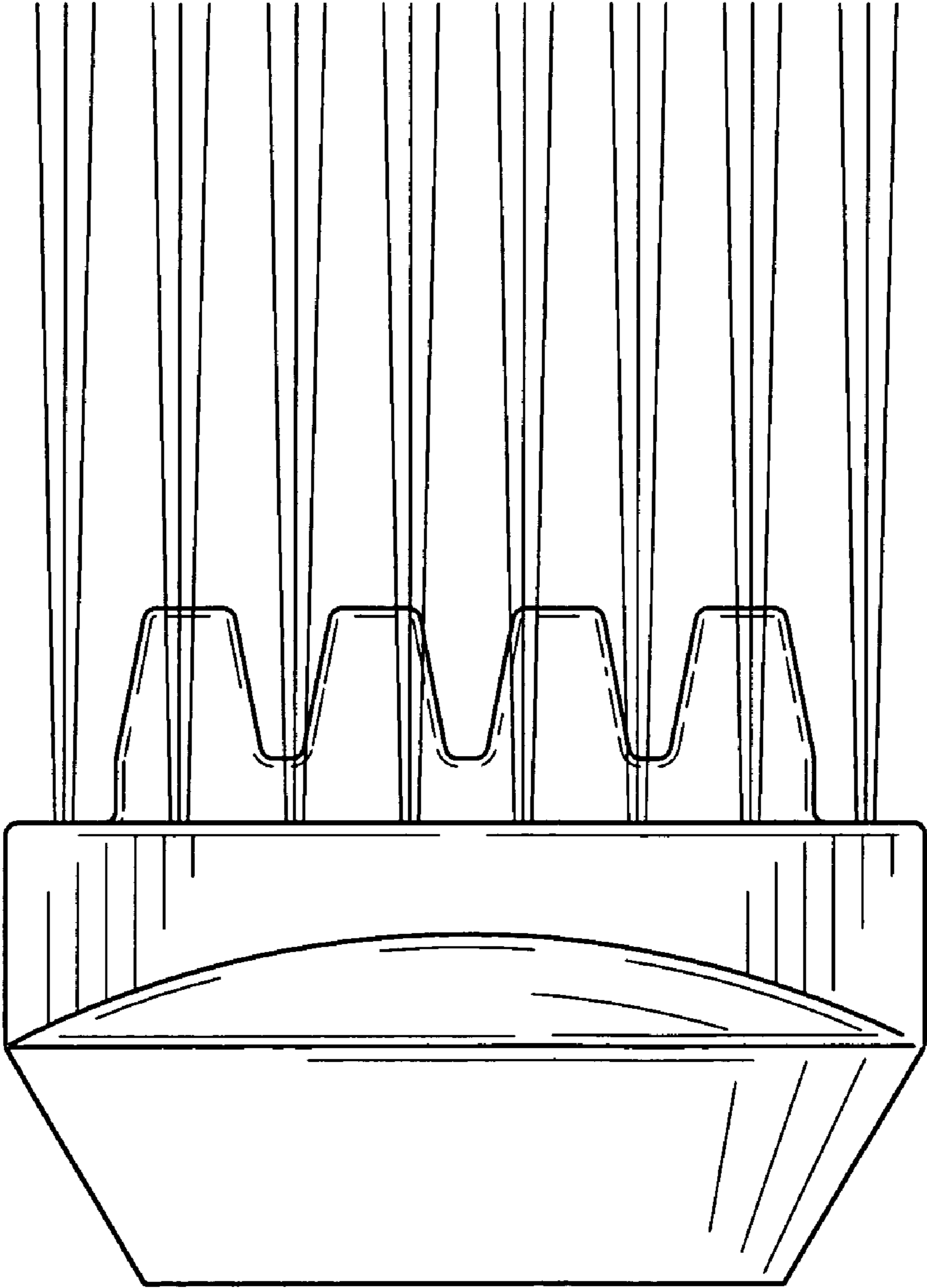


FIG. 2

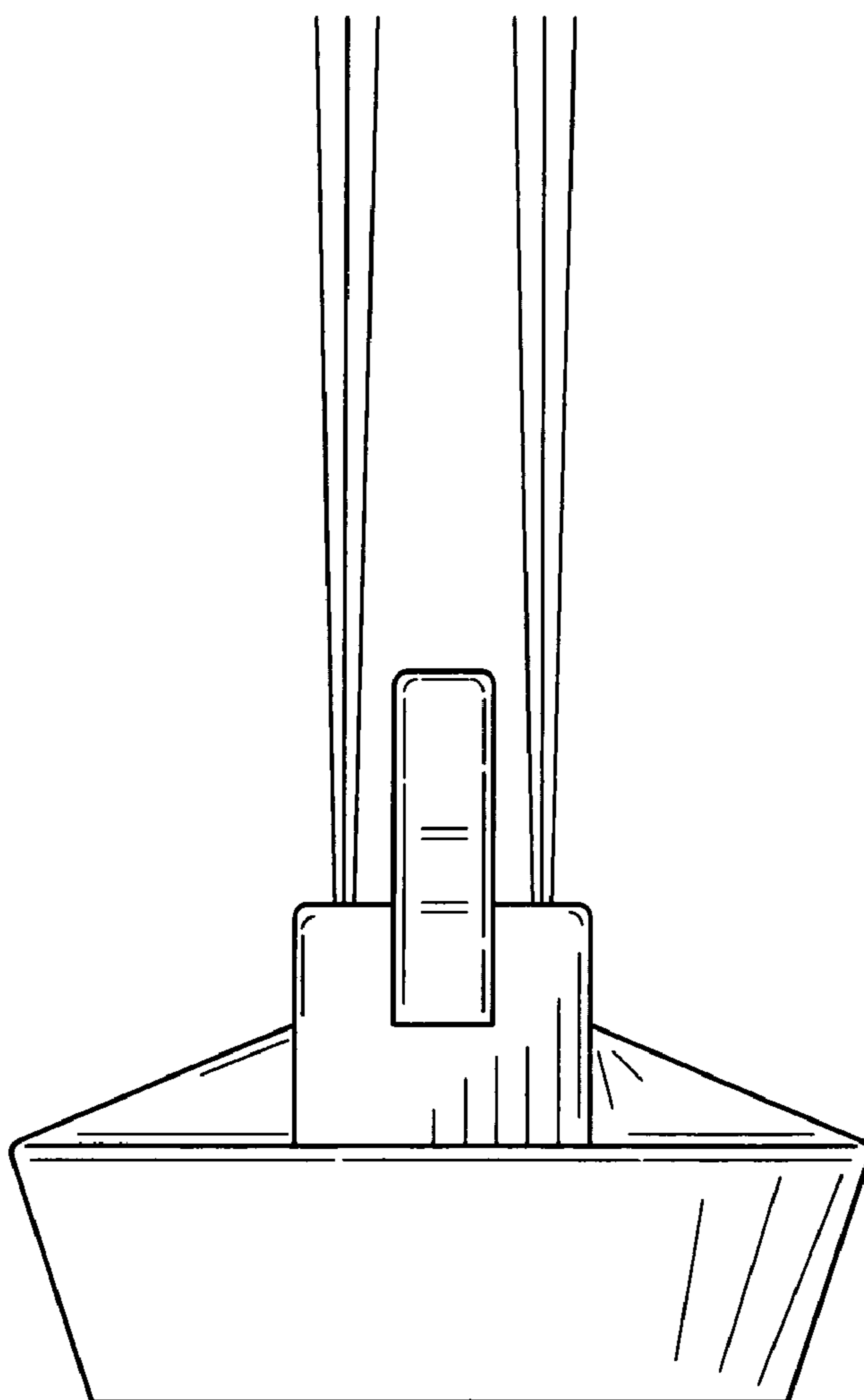
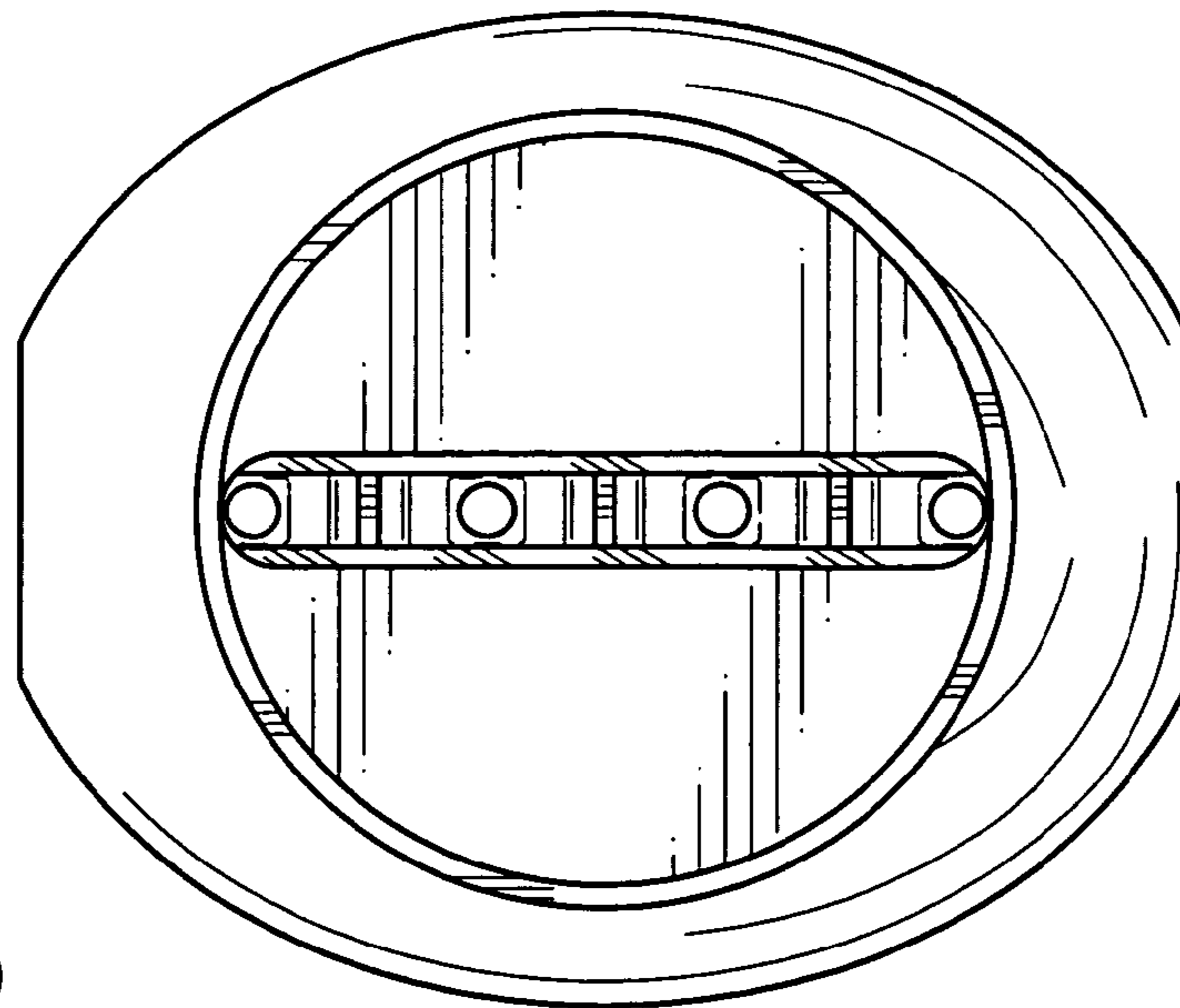
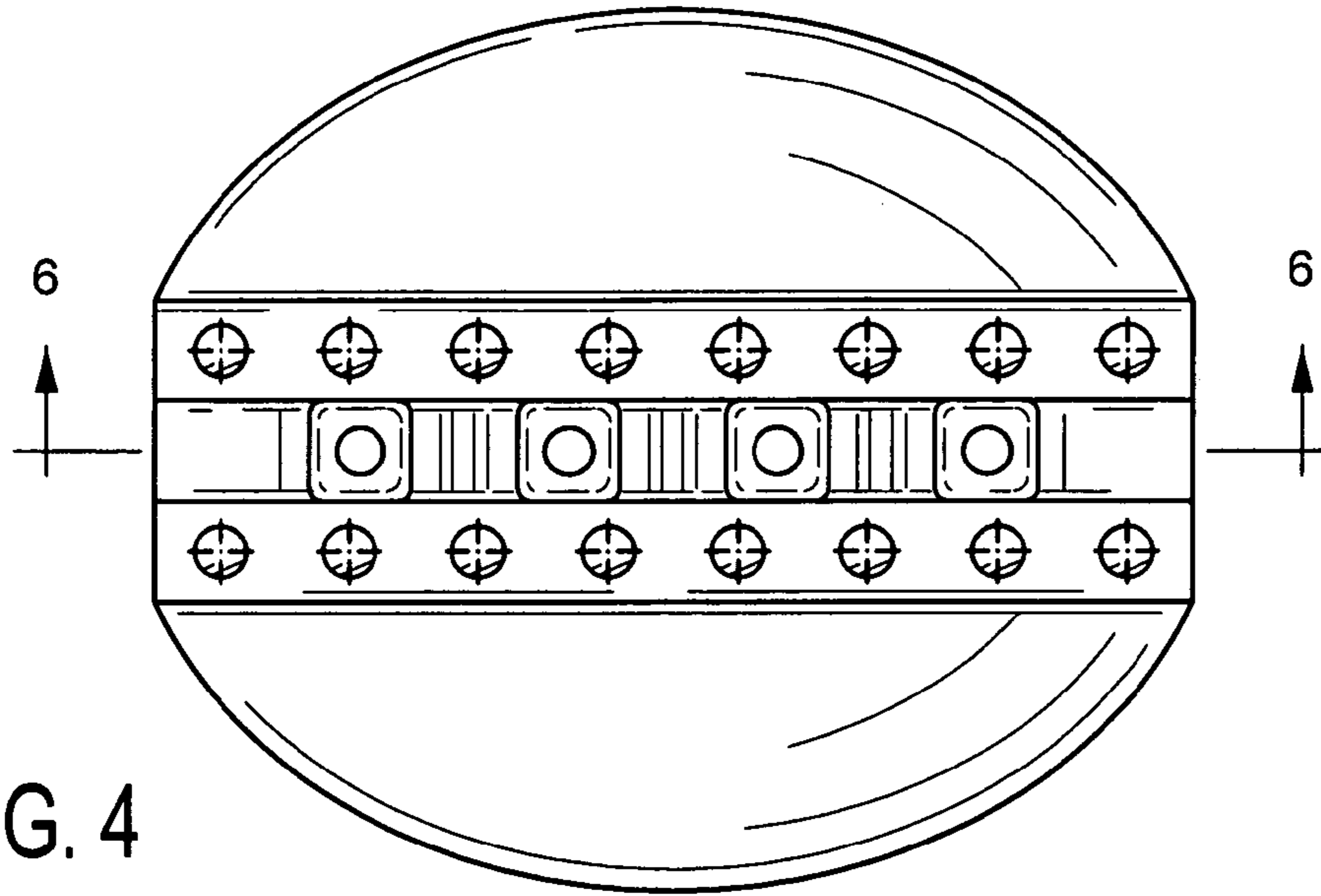


FIG. 3



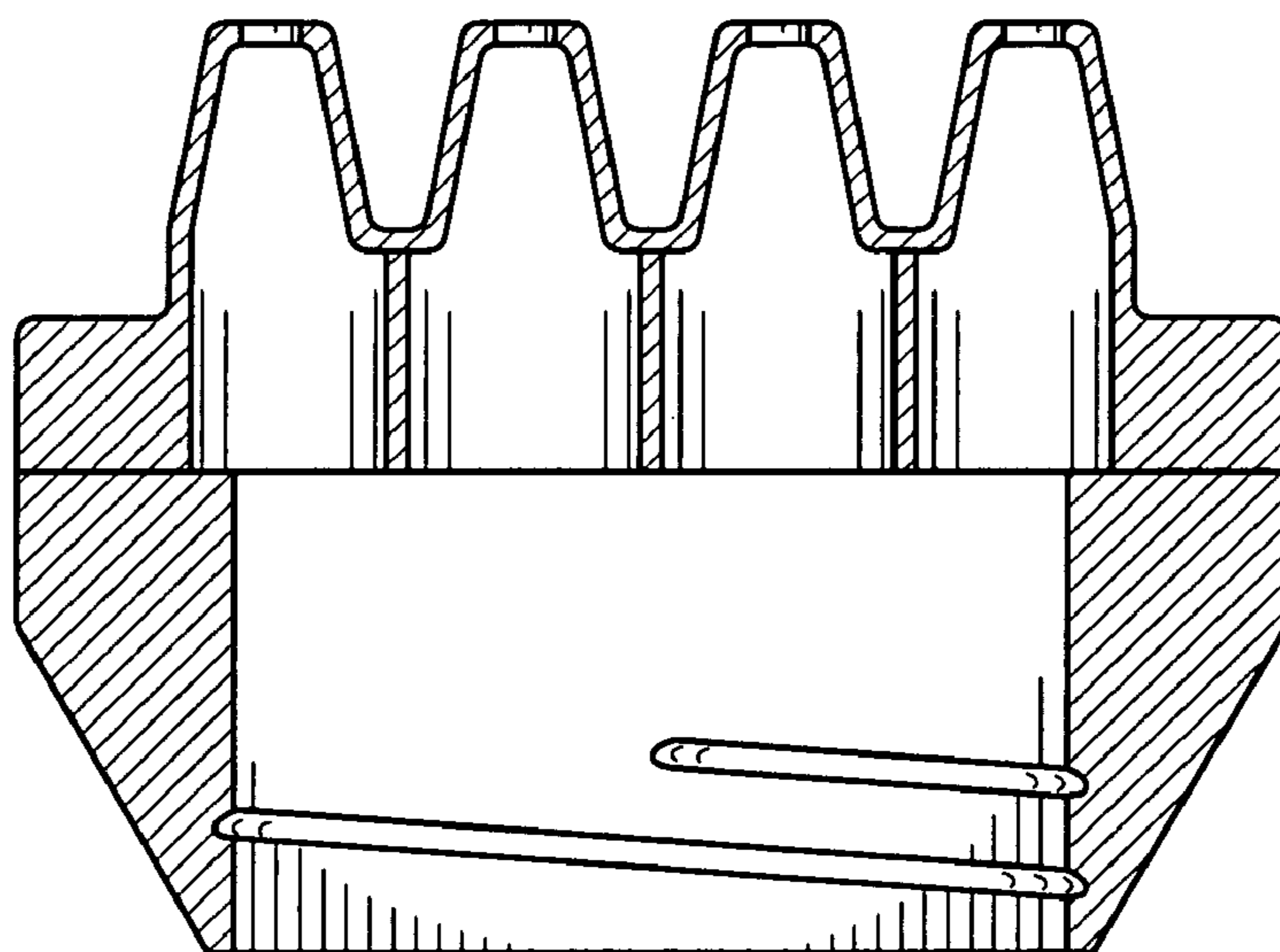


FIG. 6