



US00D640465S

(12) **United States Design Patent**
Ventura

(10) **Patent No.:** **US D640,465 S**

(45) **Date of Patent:** **** Jun. 28, 2011**

(54) **ENCLOSURE**

(75) **Inventor:** **Guillermo Ventura**, Col Centro (MX)

(73) **Assignee:** **Ventura Technology S.A. DE D.V.**,
Monterrey Neuvo Leon (MM)

(**) **Term:** **14 Years**

(21) **Appl. No.:** **29/349,082**

(22) **Filed:** **Mar. 8, 2010**

(51) **LOC (9) Cl.** **03-01**

(52) **U.S. Cl.** **D3/201**

(58) **Field of Classification Search** D3/201,
D3/203.1–203.3, 205; D9/414, 425–426,
D9/428, 432; 206/528–540; D28/76, 78–79
See application file for complete search history.

(56) **References Cited**

U.S. PATENT DOCUMENTS

3,393,795	A	*	7/1968	Covert, Jr.	206/534
D259,858	S	*	7/1981	Finkel	D9/418
D298,512	S	*	11/1988	Gotlib	D3/203.4
D307,388	S	*	4/1990	Newell et al.	D3/203.2
D399,603	S	*	10/1998	Hemsley et al.	D9/428
D457,374	S	*	5/2002	Lee	D3/201
D497,103	S	*	10/2004	Malloy et al.	D3/203.2
D497,802	S	*	11/2004	Haggerty et al.	D9/417
D522,855	S	*	6/2006	Liebe et al.	D9/426
D590,147	S	*	4/2009	Muhlhausen et al.	D3/203.2

D609,000 S * 2/2010 Portney D3/203.2
* cited by examiner

Primary Examiner — Catheri Oliver

(74) *Attorney, Agent, or Firm* — William W. Haefliger

(57) **CLAIM**

I claim the ornamental design for an enclosure, substantially as shown and described.

DESCRIPTION

FIG. 1 is a top plan view of the enclosure;
FIG. 2 is a front elevation view of the FIG. 1 enclosure, the rear elevation view being the same;
FIG. 3 is a right end view of the FIG. 1 enclosure, the left end view being the same;
FIG. 4 is a bottom plan view of the FIG. 1 enclosure;
FIG. 5 is a section view taken on lines 5—5 of FIG. 1, to show surface grooving detail of the enclosure;
FIG. 6 is a top plan view of a modified enclosure;
FIG. 7 is a front elevation view of the FIG. 6 enclosure, the rear elevation view being the same;
FIG. 8 is a right end view of the FIG. 6 enclosure, the left end view being the same;
FIG. 9 is a bottom plan view of the FIG. 6 enclosure;
FIG. 10 is a sectional view taken on lines 10—10 of FIG. 6, to show surface grooving detail of the enclosure;
FIG. 11 is a section of the designed device, partly open, taken lengthwise through FIG. 6; and,
FIG. 12 is a left end view of FIG. 11, partly open.

1 Claim, 4 Drawing Sheets

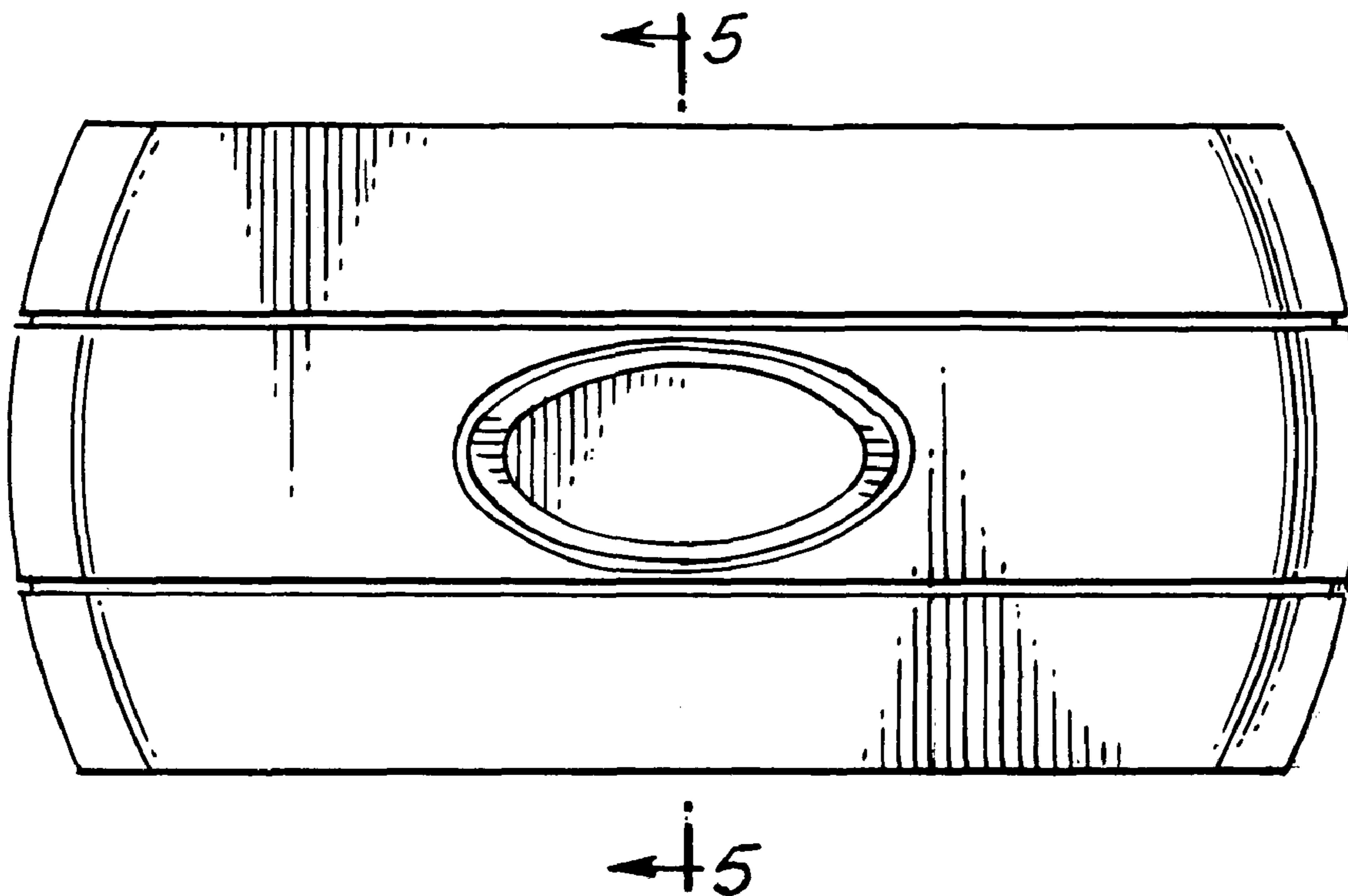
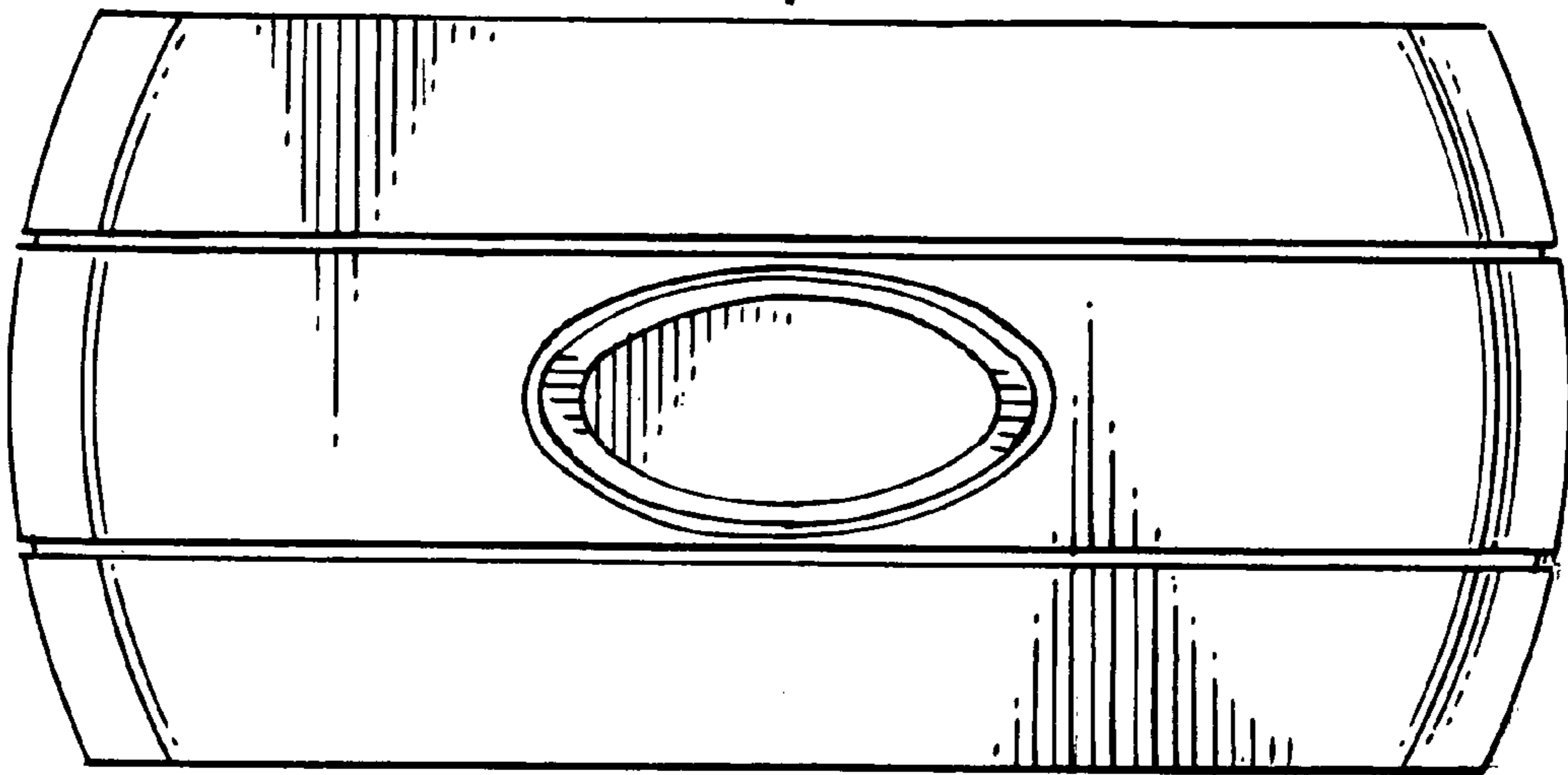


FIG. 1 ← 5



← 5

FIG. 2

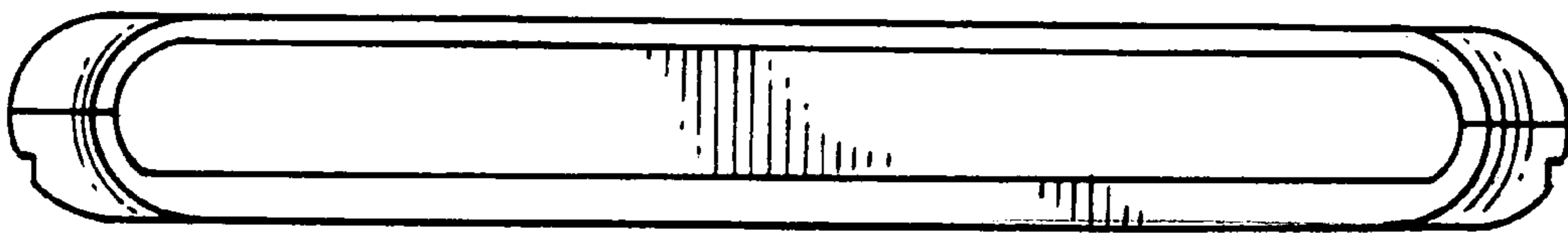


FIG. 3

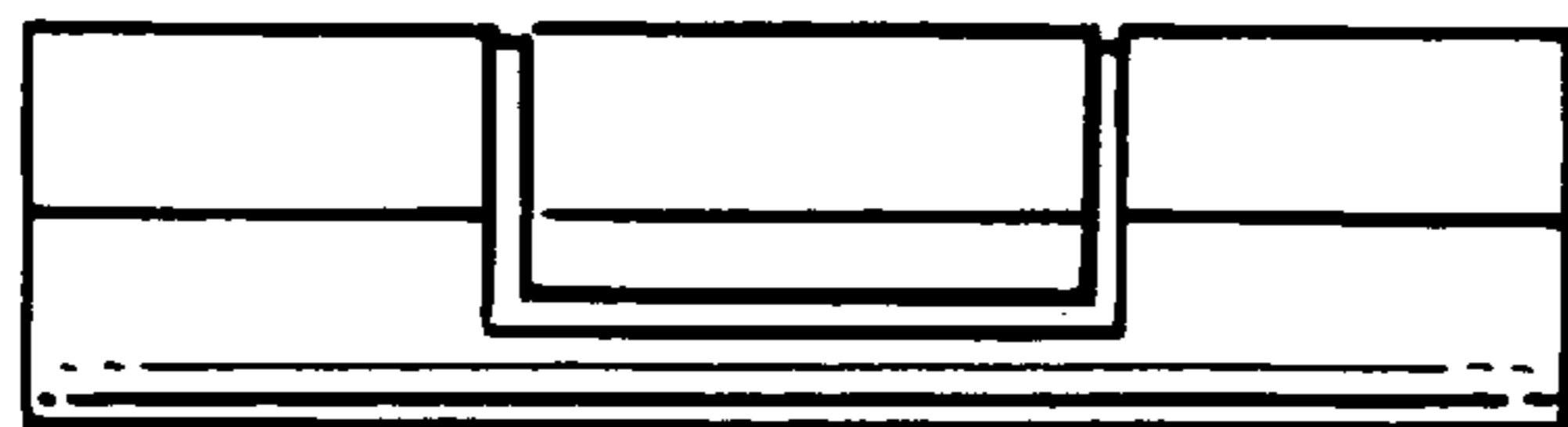


FIG. 4

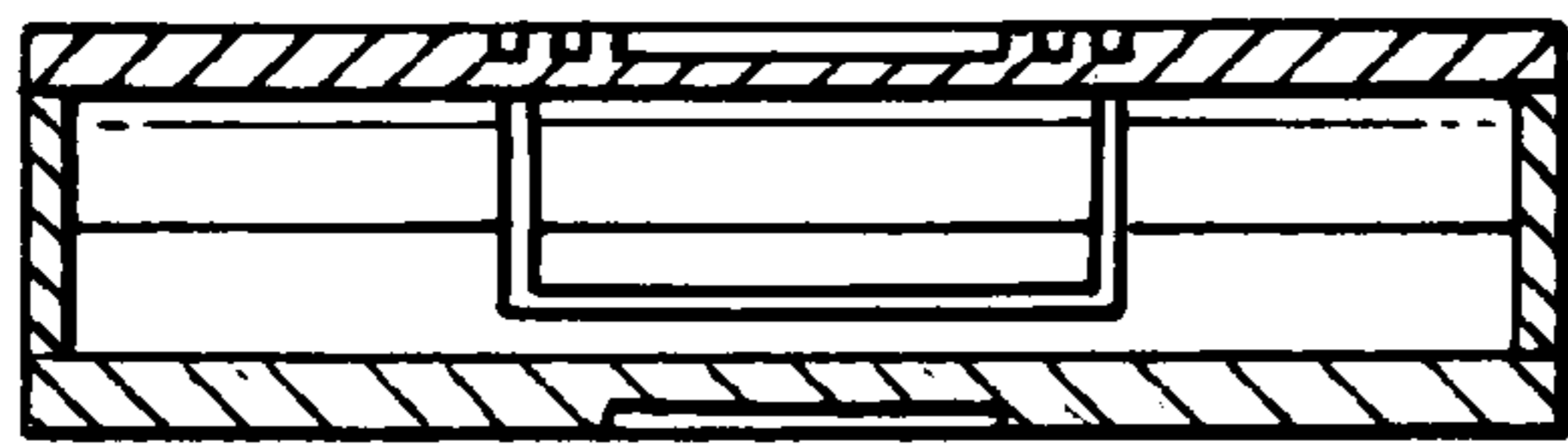
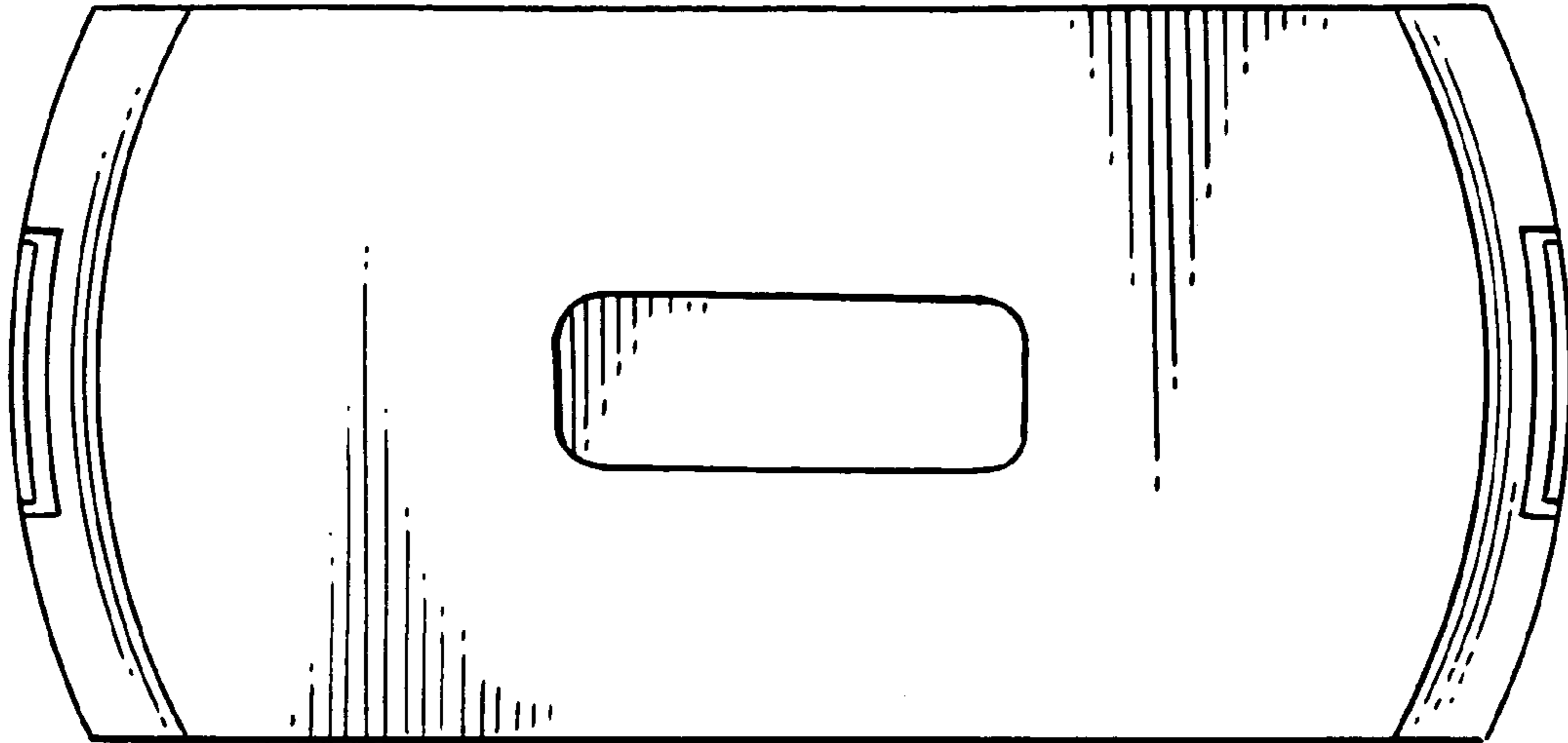


FIG. 5

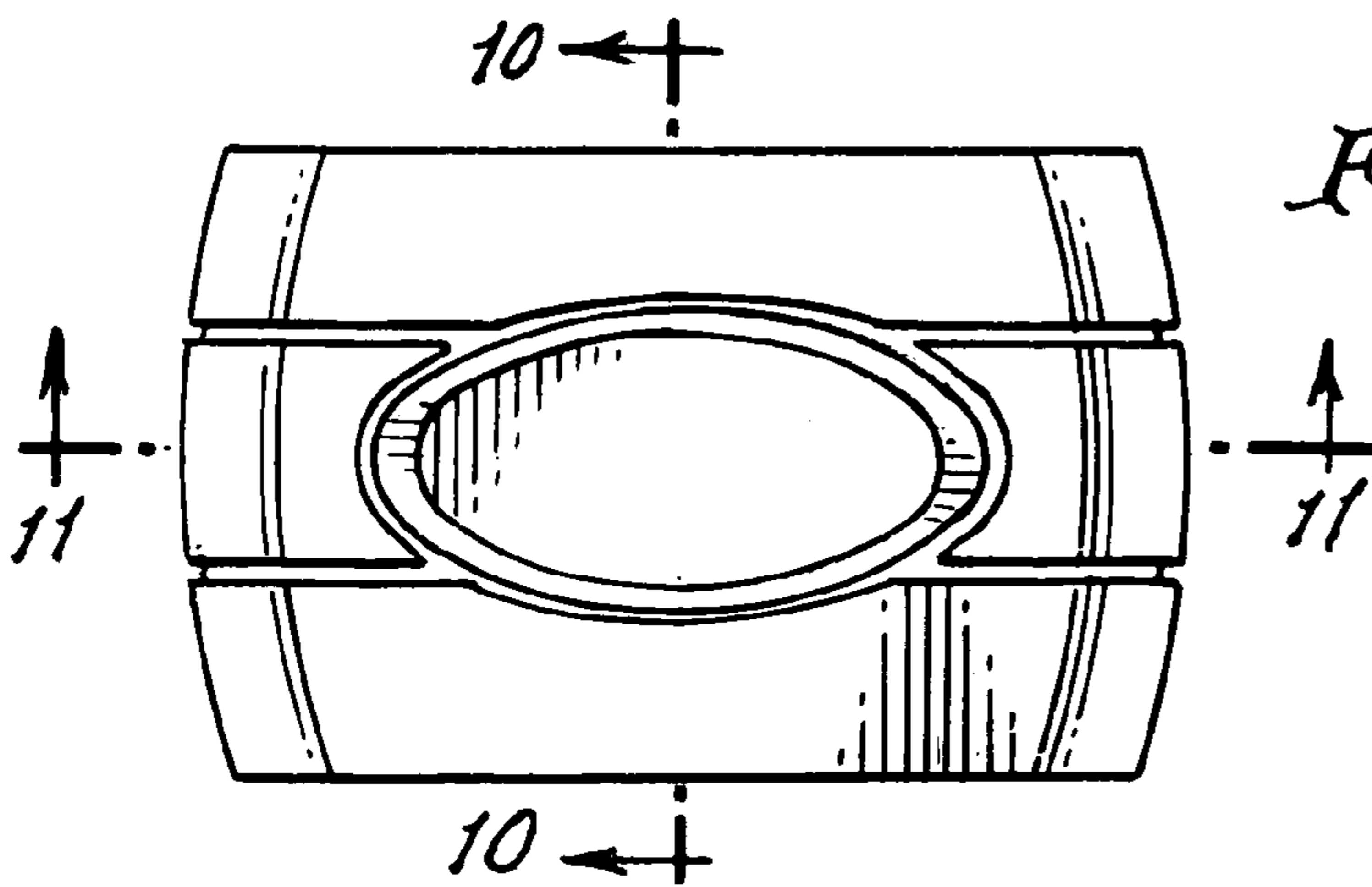


FIG. 6

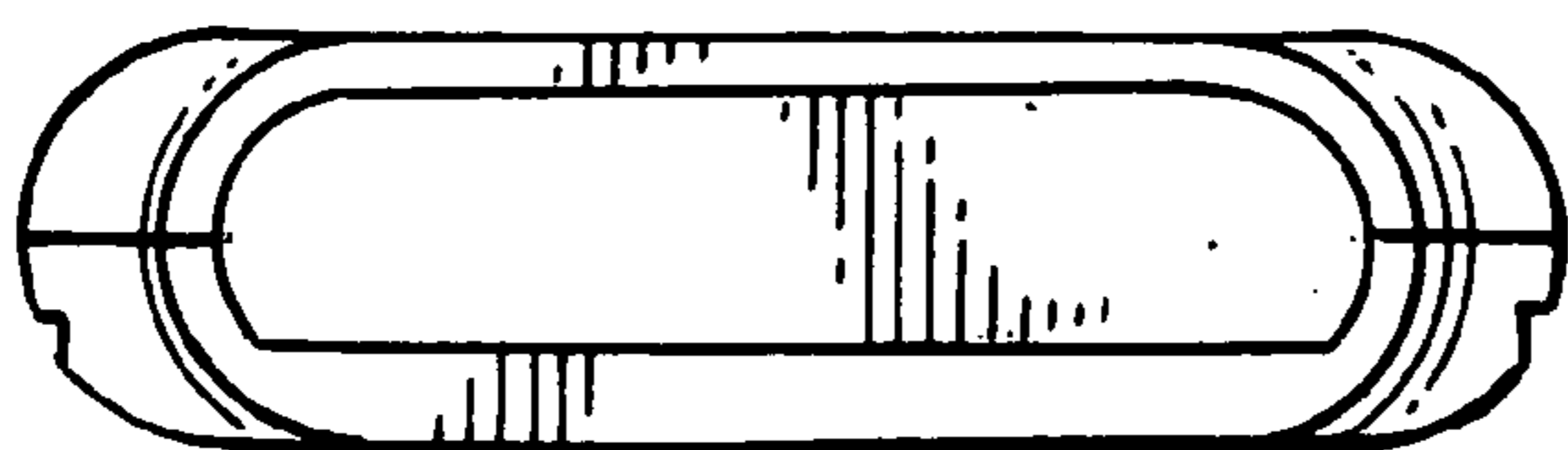


FIG. 7

FIG. 8



FIG. 9

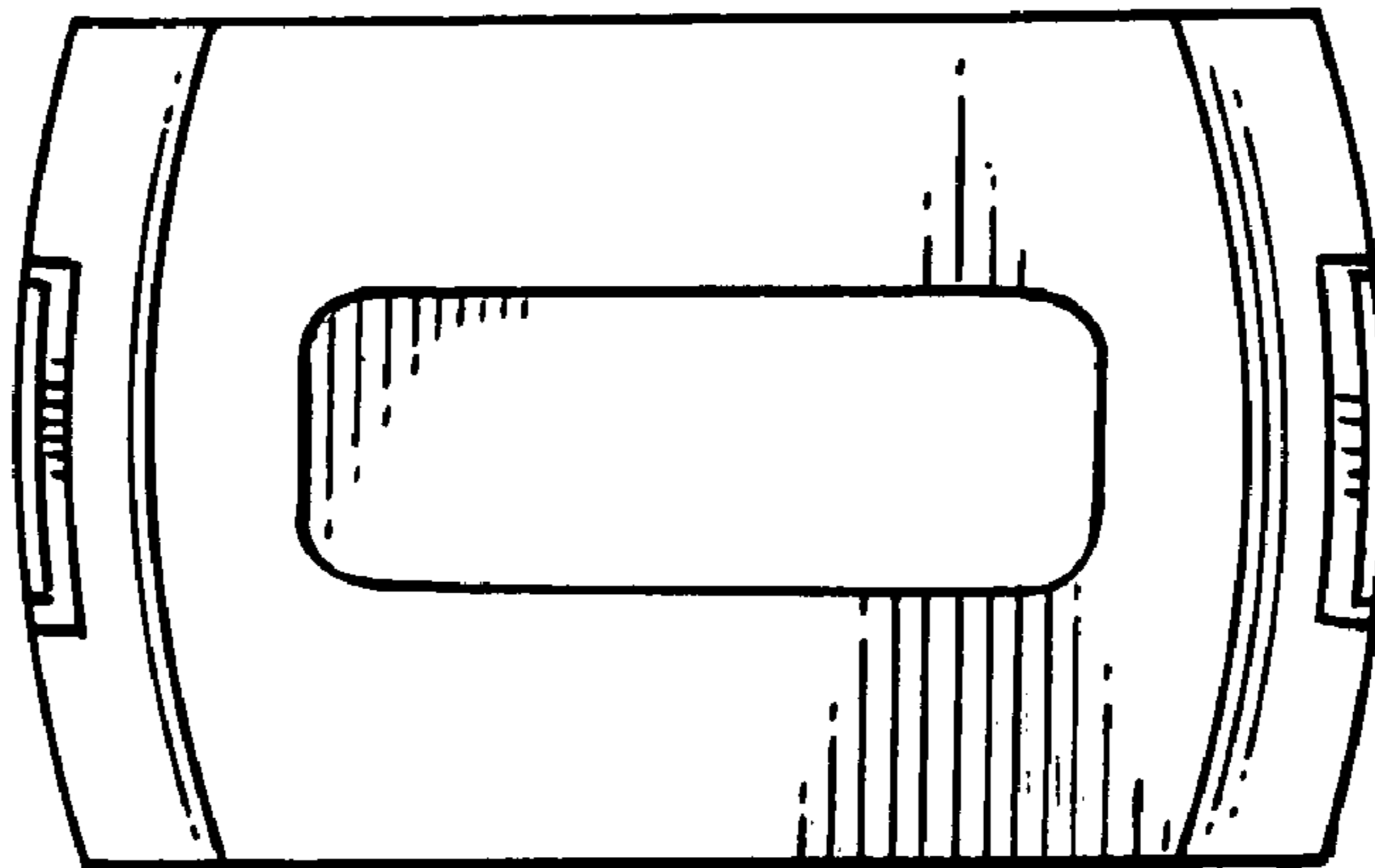


FIG. 10

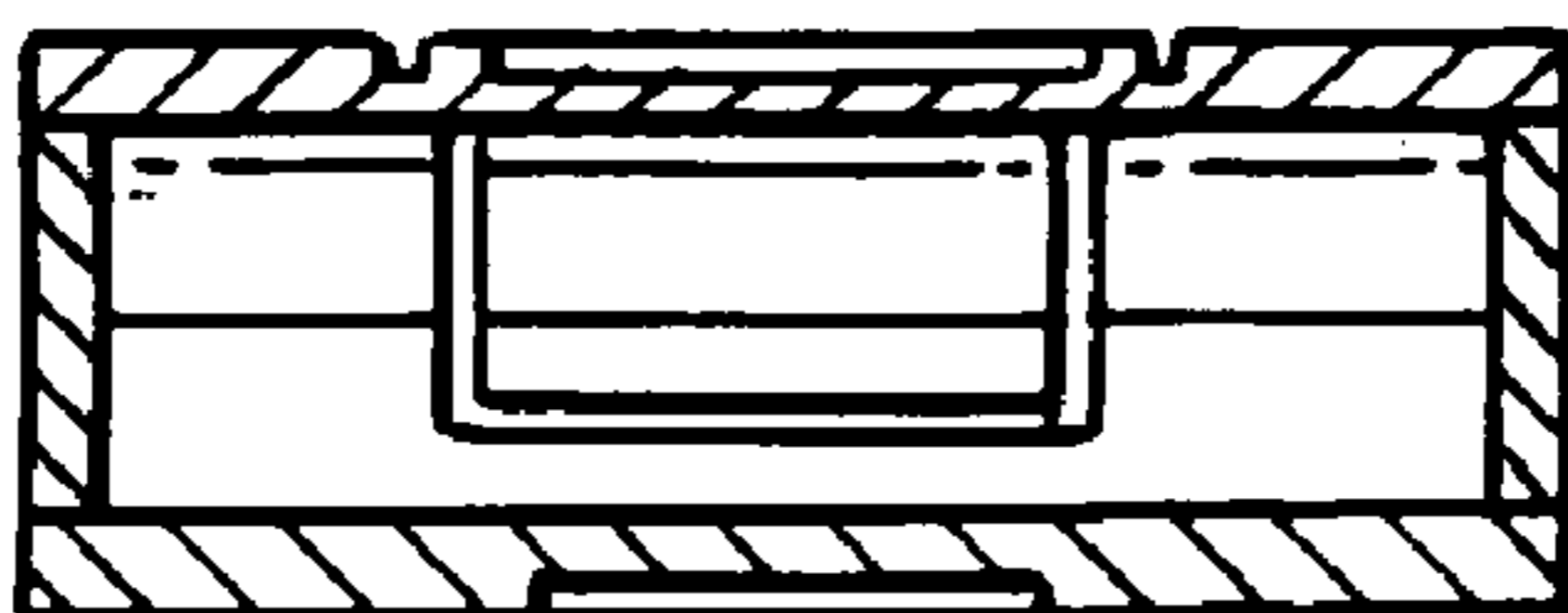


FIG. 11

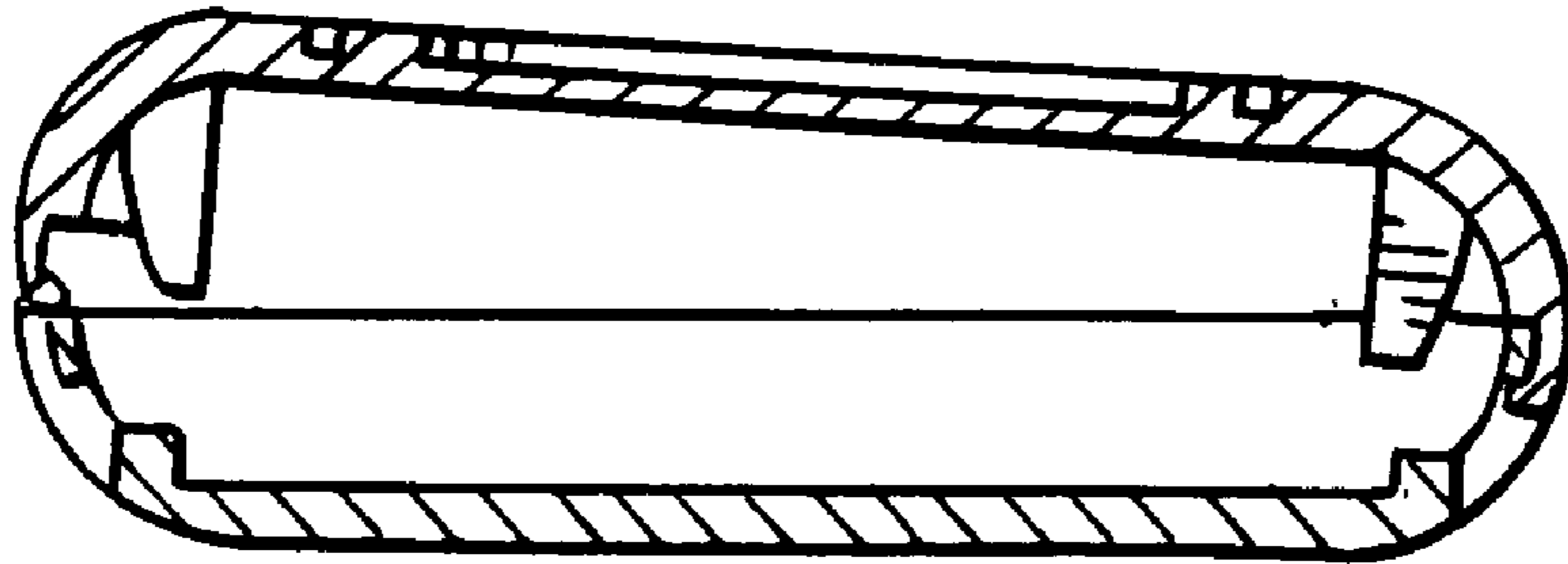


FIG. 12

