



US00D640441S

(12) **United States Design Patent**  
**Cairns**

(10) **Patent No.:** **US D640,441 S**

(45) **Date of Patent:** **\*\* Jun. 21, 2011**

(54) **DOOR LIFTING DEVICE**

(76) **Inventor:** **Laurence Cecil Yates Cairns,**  
Ballygawley (GB)

(\*\*) **Term:** **14 Years**

(21) **Appl. No.:** **29/370,268**

(22) **Filed:** **Jun. 23, 2010**

(51) **LOC (9) Cl.** ..... **12-05**

(52) **U.S. Cl.** ..... **D34/28**

(58) **Field of Classification Search** ..... D34/31,  
D34/28; 254/93 H, 93 R, 8 B, 120, 131,  
254/106; D8/14

See application file for complete search history.

(56) **References Cited**

**U.S. PATENT DOCUMENTS**

1,694,173	A *	12/1928	Goranson	.....	254/131
2,989,286	A *	6/1961	Gillespie	.....	254/120
4,834,339	A *	5/1989	Clarke	.....	254/93 R
4,846,443	A *	7/1989	Collins et al.	.....	254/8 B
5,048,795	A *	9/1991	Vitale	.....	254/93 R
6,079,696	A *	6/2000	Bette	.....	254/131

6,296,230	B1 *	10/2001	Roth	.....	254/131
6,497,399	B1 *	12/2002	Nelson	.....	254/131
D595,472	S *	6/2009	Kimura	.....	D34/31
D602,671	S *	10/2009	McMorris et al.	.....	D34/28
2010/0044657	A1 *	2/2010	Patrick et al.	.....	254/130

\* cited by examiner

*Primary Examiner* — Cynthia Ramirez

(57) **CLAIM**

The ornamental design for a door lifting device, as shown and described.

**DESCRIPTION**

FIG. 1 is a perspective view of a door lifting device showing my design;

FIG. 2 is a perspective view with the platform lifted up the guide posts thereof;

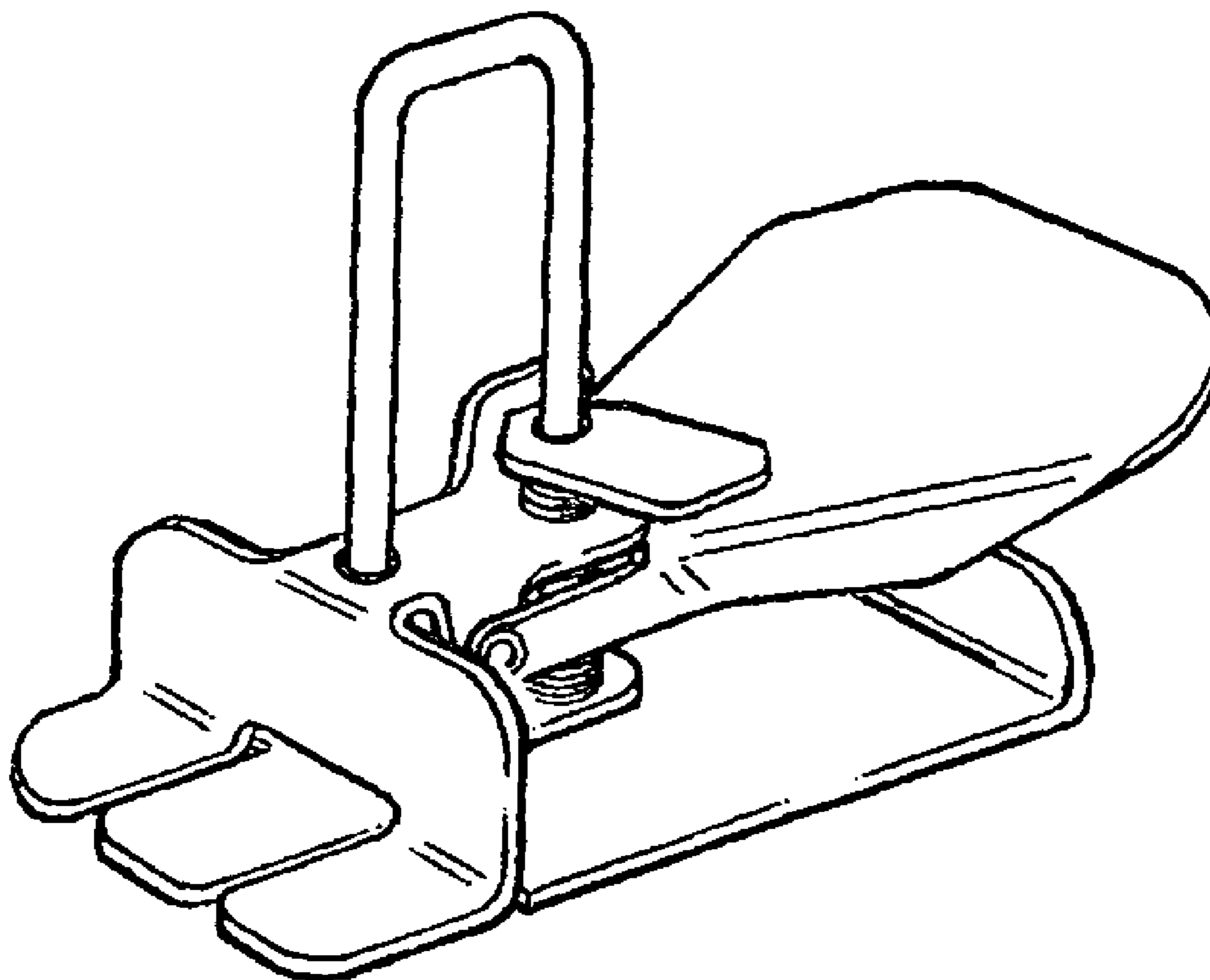
FIG. 3 is a right side elevation view thereof;

FIG. 4 is a rear side elevation view thereof;

FIG. 5 is a front elevation view with the platform lifted up the guide post thereof; and,

FIG. 6 is a top plan view thereof.

**1 Claim, 1 Drawing Sheet**



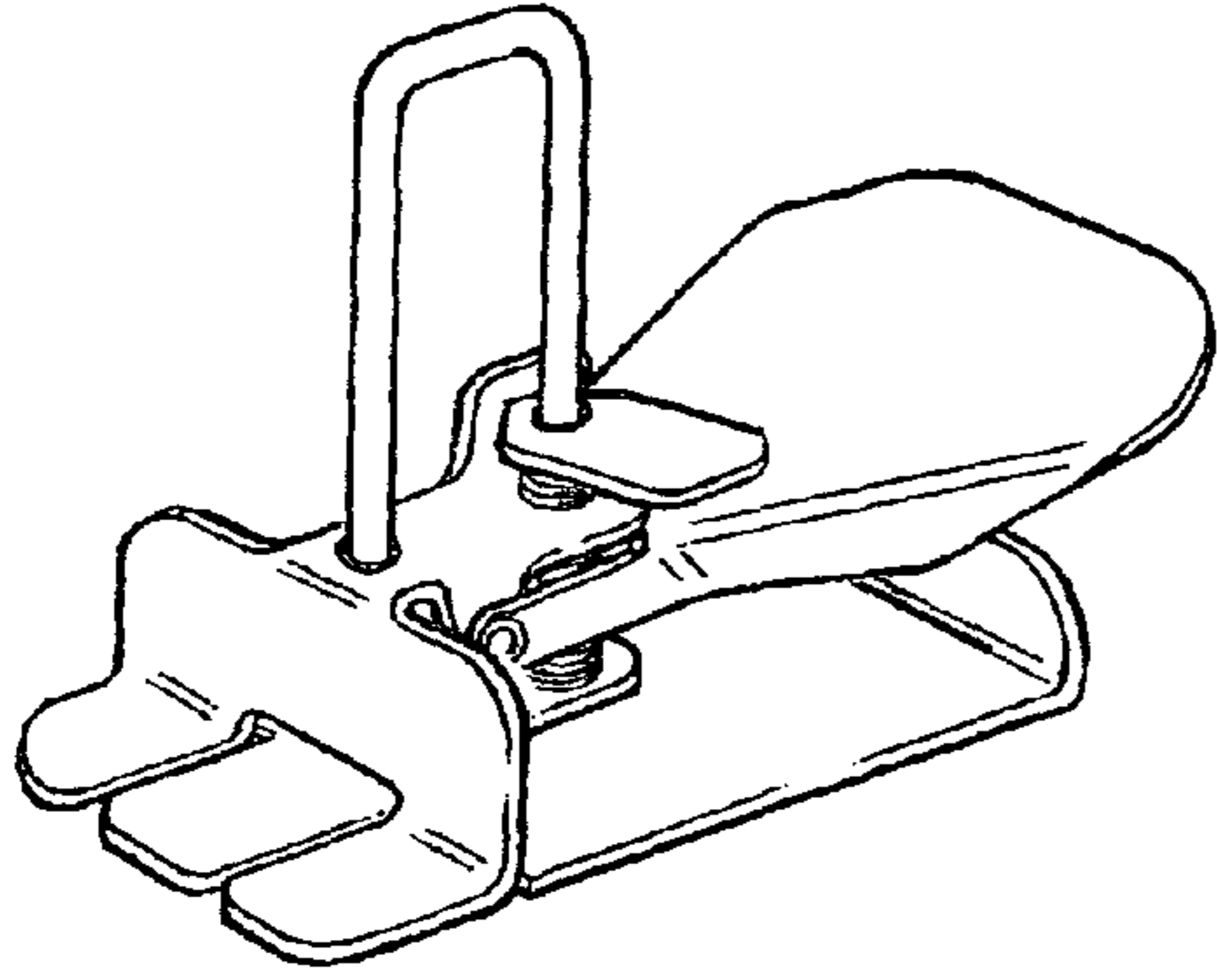


Figure 1

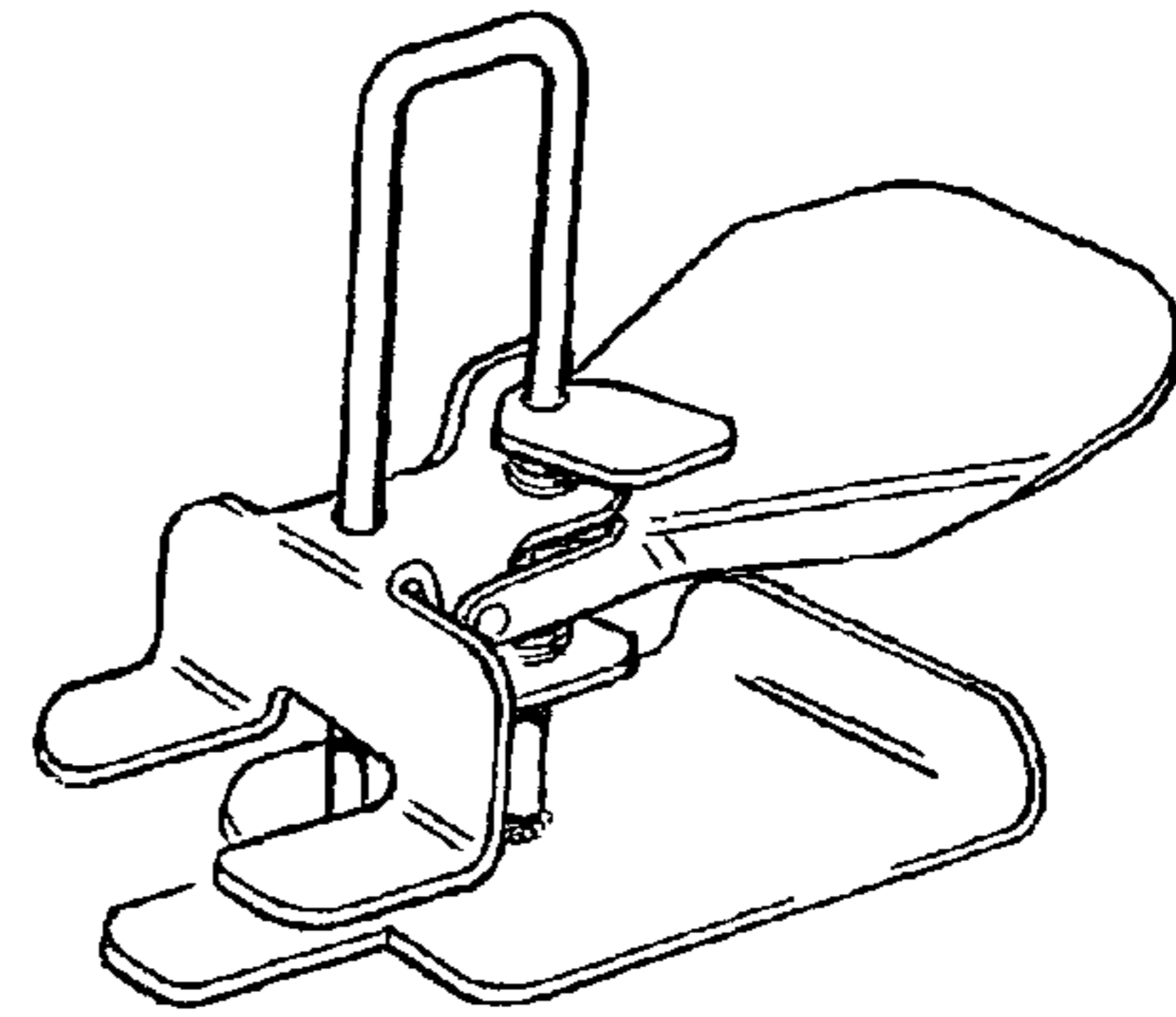


Figure 2

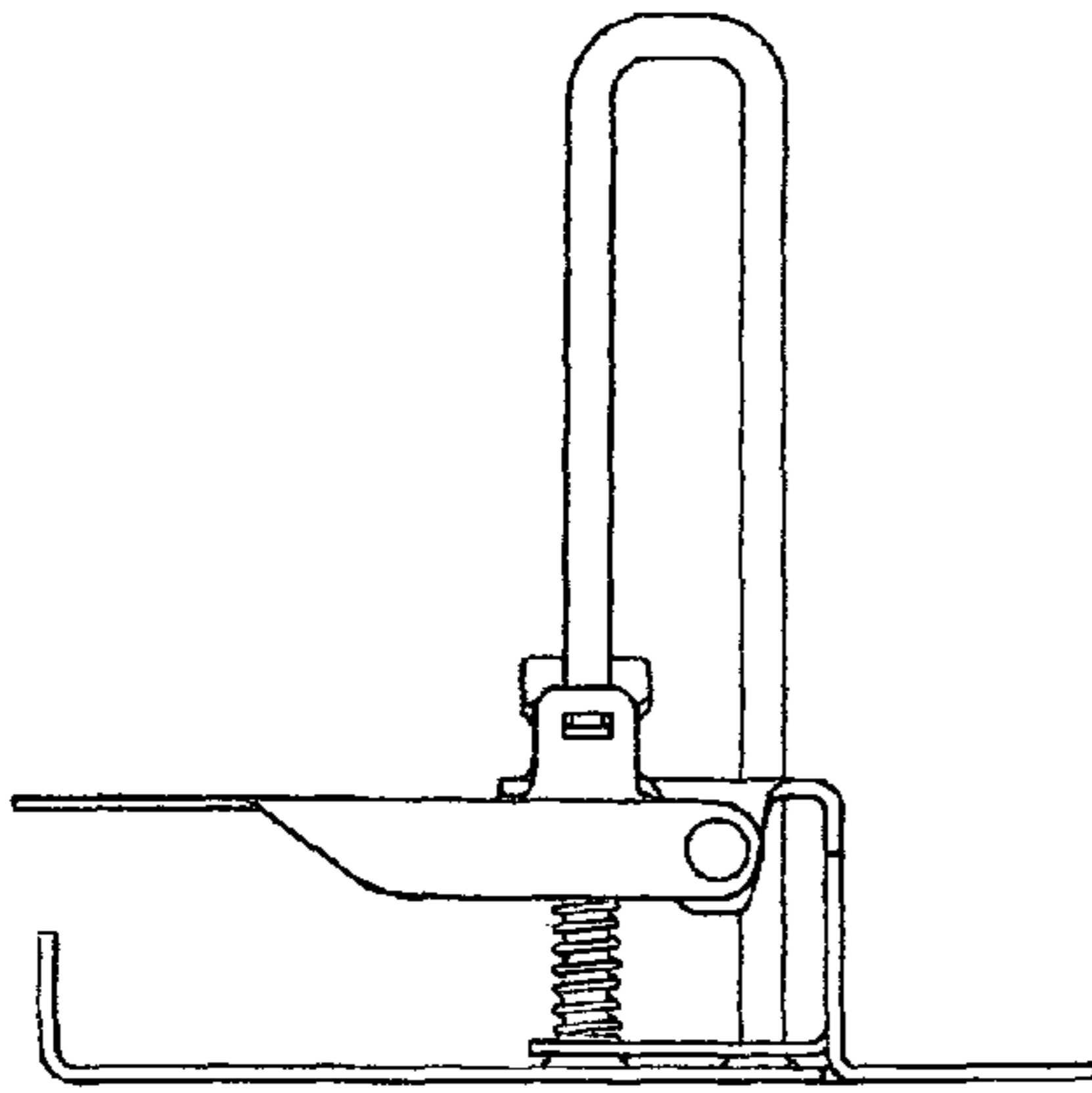


Figure 3

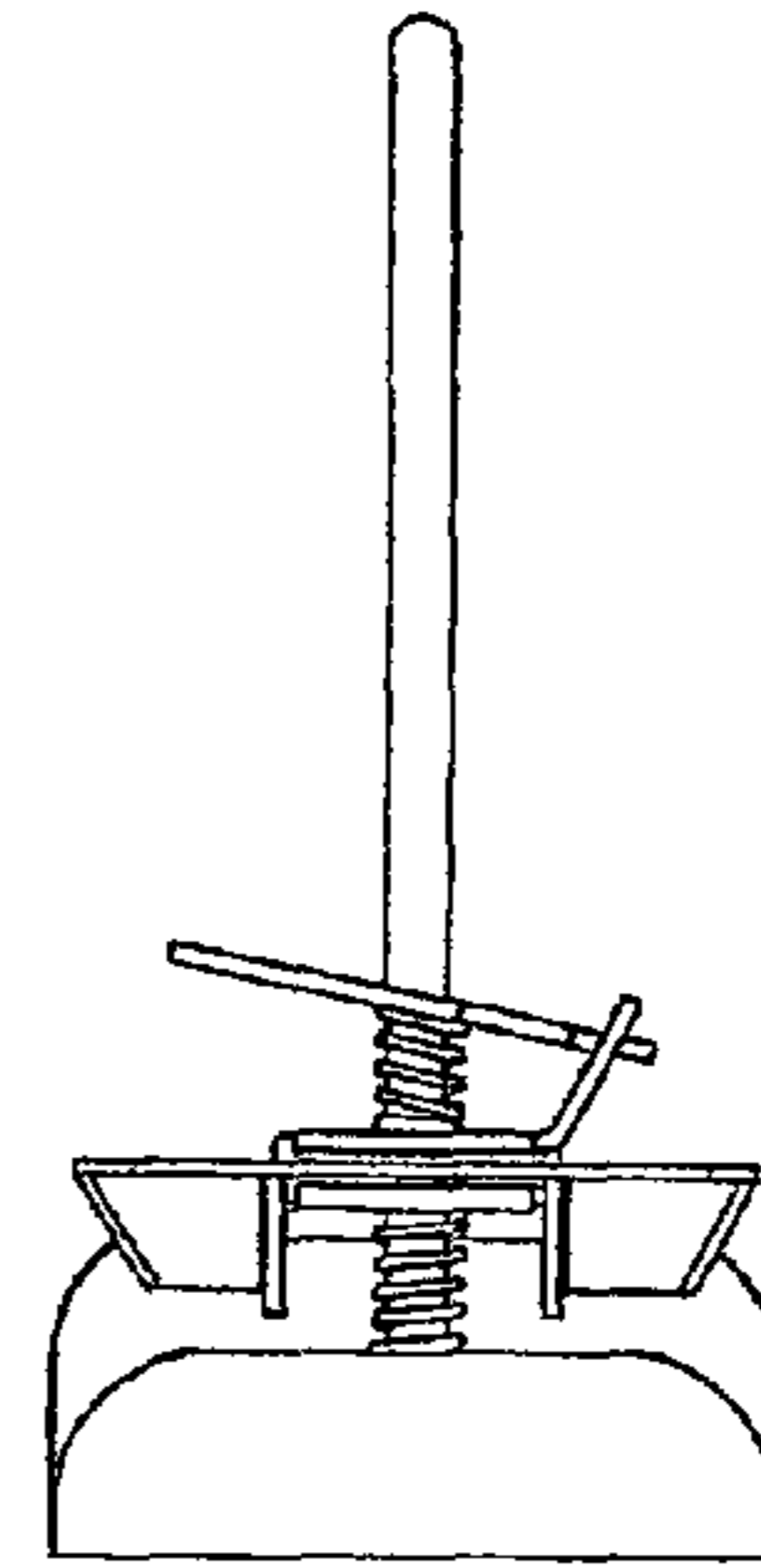


Figure 4

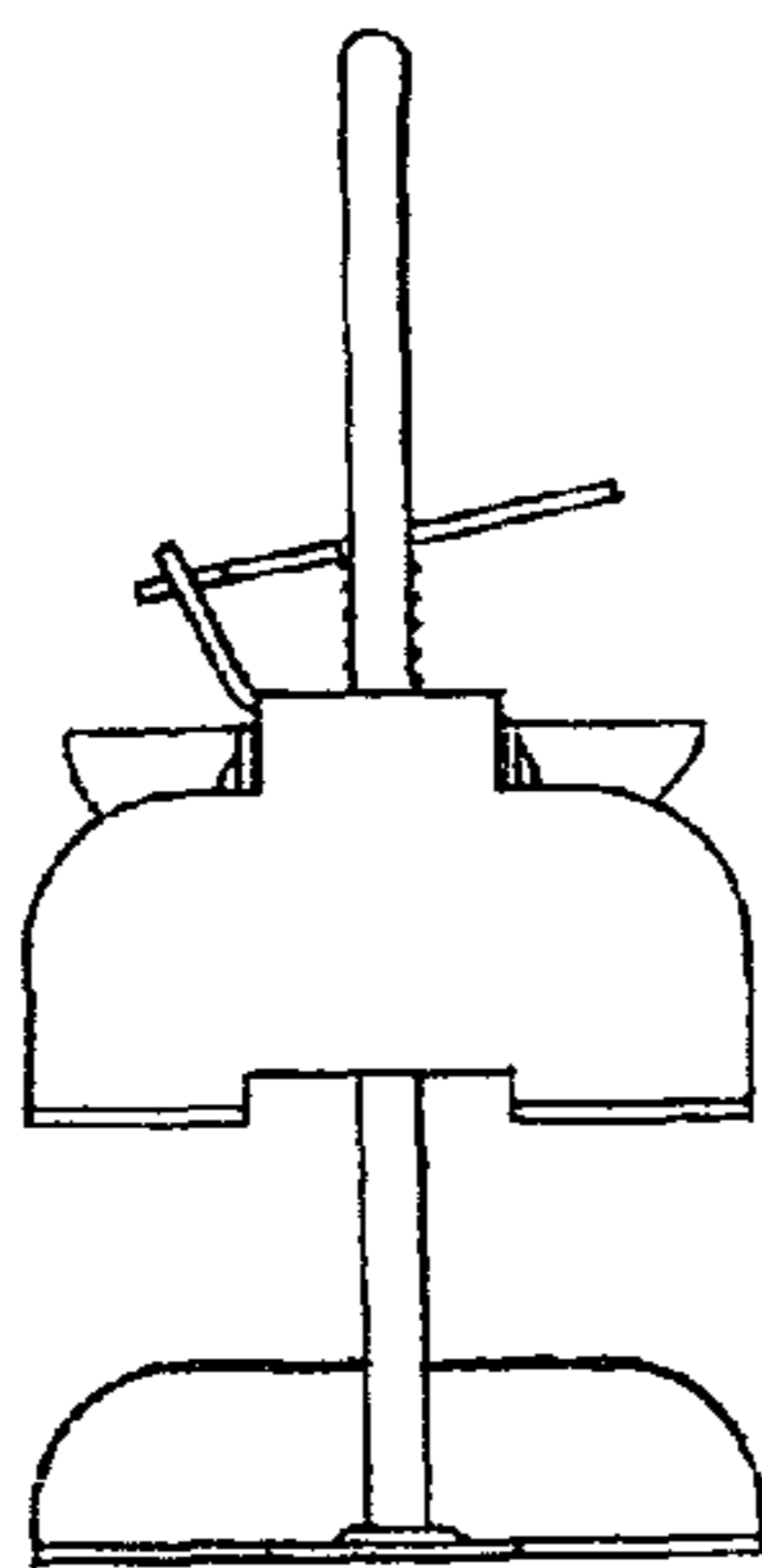


Figure 5

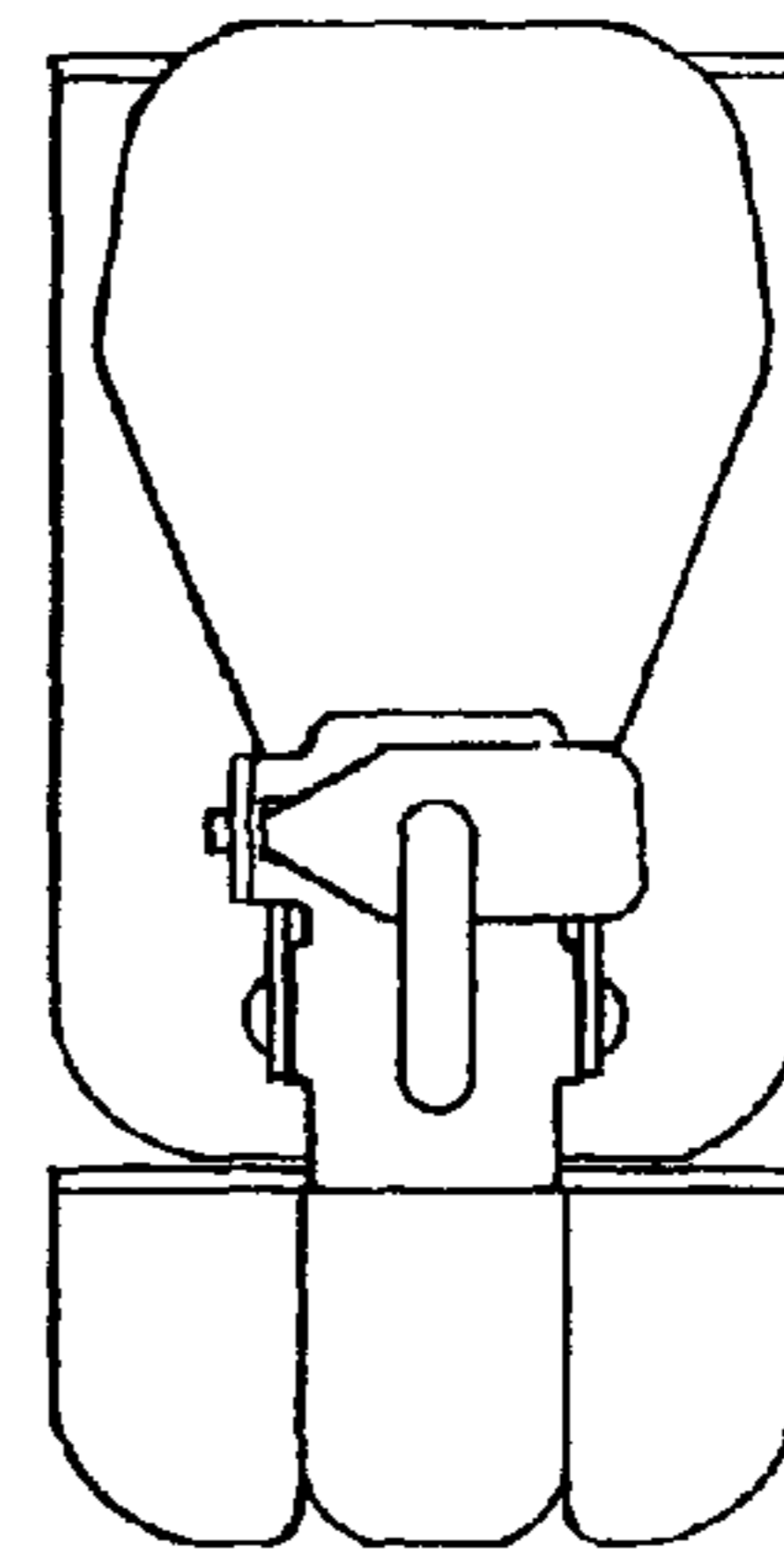


Figure 6