



US00D640440S

(12) **United States Design Patent**  
**Thurm**

(10) **Patent No.:** **US D640,440 S**  
(45) **Date of Patent:** **\*\* \*Jun. 21, 2011**

(54) **SCISSOR UTILITY LIFT**

(76) Inventor: **Kenneth R. Thurm**, Orange, CA (US)

(\* ) Notice: This patent is subject to a terminal disclaimer.

(\*\*) Term: **14 Years**

(21) Appl. No.: **29/351,186**

(22) Filed: **Dec. 1, 2009**

(51) **LOC (9) Cl.** ..... **12-05**

(52) **U.S. Cl.** ..... **D34/28**

(58) **Field of Classification Search** ..... D34/28,  
D34/31, 33; D12/101, 406, 408; 280/410,  
280/402; 254/2 C, 8 R, 10 R, 45, 124, 88;  
414/539, 540, 541, 678, 921

See application file for complete search history.

(56) **References Cited**

**U.S. PATENT DOCUMENTS**

3,458,073	A	7/1969	Dawson
3,991,857	A	11/1976	Wolk et al.
4,077,607	A	3/1978	Lovelady
4,460,158	A	7/1984	Chiesa et al.
4,494,764	A	1/1985	Kelley
4,681,299	A	7/1987	Siebert
5,123,802	A	6/1992	Bell
5,228,712	A	7/1993	Speier
5,234,307	A	8/1993	Scott
5,271,603	A	12/1993	White
D346,255	S	4/1994	Francis et al.
5,358,265	A	10/1994	Yaple
5,462,398	A	10/1995	Hymer
D378,155	S	2/1997	Bartow et al.
5,769,369	A	6/1998	Meinel
5,769,396	A	6/1998	Tischendorf
5,839,875	A	11/1998	Miller et al.
5,899,655	A	5/1999	Miller et al.
5,979,878	A	11/1999	Blankenship
D422,392	S	4/2000	Weinstein
6,092,787	A	7/2000	Nayman
6,095,746	A	8/2000	Bergin
6,338,470	B1	1/2002	Steely et al.
6,345,693	B1	2/2002	Yeo et al.
D455,884	S	4/2002	Ogrodnick

6,371,449	B1	4/2002	Chamberlain
6,464,207	B2	10/2002	Creel et al.
6,575,310	B2	6/2003	Chamoun
6,579,055	B1	6/2003	Williams
6,598,855	B1	7/2003	Petrone et al.
6,648,300	B2	11/2003	Chamoun
D495,107	S	8/2004	Thurm
7,066,448	B2	6/2006	Thurm
7,134,643	B1	11/2006	Williams et al.
D586,524	S	2/2009	Mertes
D596,823	S	7/2009	Thurm

**OTHER PUBLICATIONS**

WWW.HANDYINDUSTRIES.COM, "1500 B.O.B.", 1 pg.  
Kowa Precision Tools, "The #1 Motorcycle Tool Company—Lifts, Stands & Tools for Your Every Need!?", 1 pg.  
WWW.MOTORCYCLEJACKS.COM, "Air Powered Hydraulic Motorcycle/ATV Work Station", Aug. 4, 2008, 1 pg.

(Continued)

*Primary Examiner* — Cynthia E Ramirez

(74) *Attorney, Agent, or Firm* — Stetina Brunda Garred & Brucker

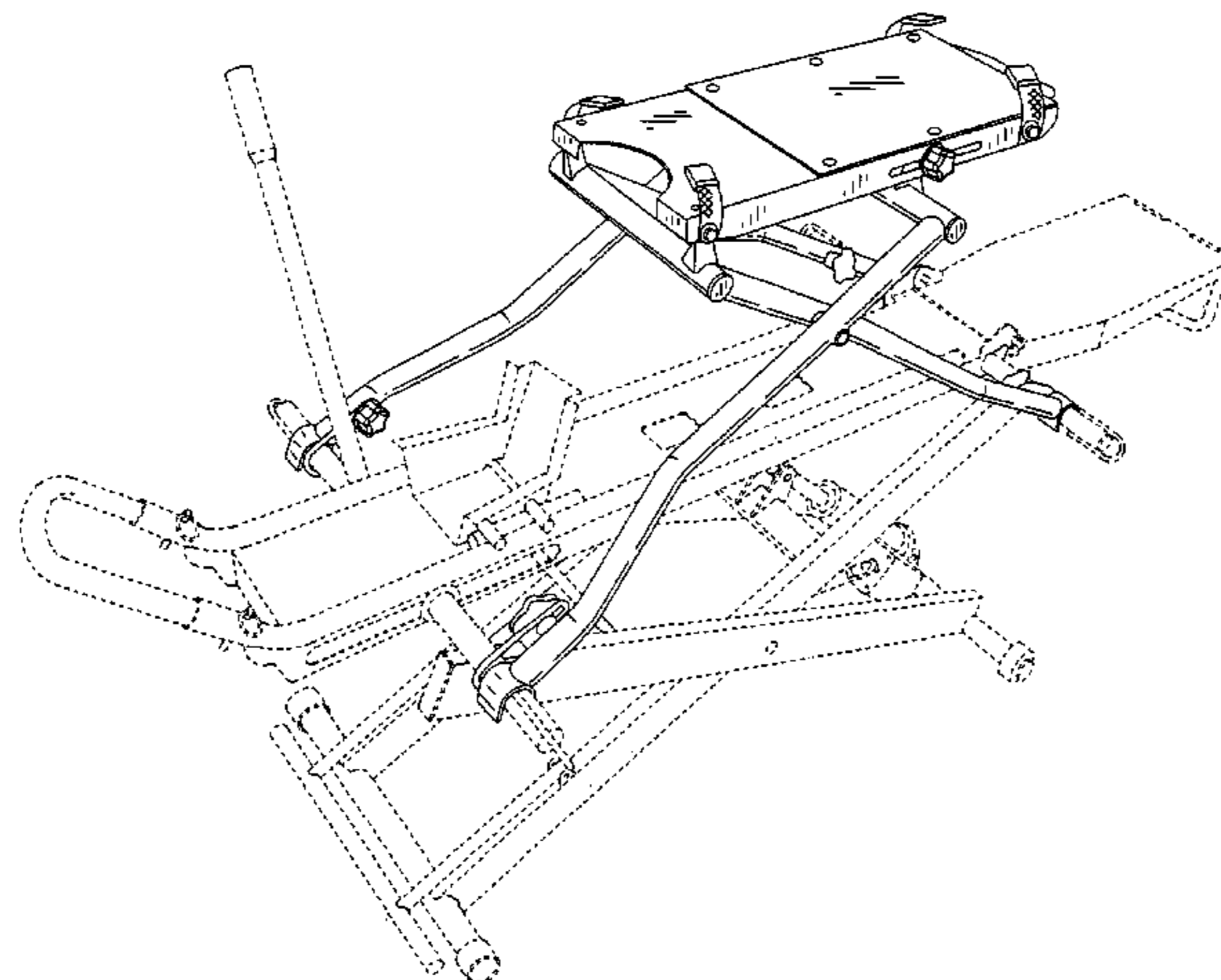
(57) **CLAIM**

The ornamental design for a scissor utility lift, as shown and described.

**DESCRIPTION**

FIG. 1 front perspective view of the scissor utility lift of the present invention showing my new design with the dotted lines depicting solely environmental structure and forming no part of the claimed design;  
FIG. 2 is a bottom perspective view thereof;  
FIG. 3 is a front elevational view thereof;  
FIG. 4 is a rear elevational view thereof;  
FIG. 5 is a top plan view thereof;  
FIG. 6 is a side elevational view thereof; and,  
FIG. 7 is a bottom plan view thereof.

**1 Claim, 3 Drawing Sheets**



OTHER PUBLICATIONS

WWW.LIFT-BUDDY.COM, "Hydraulic Foot Pump Operated Lift", Jun. 12, 2008, 5 pgs.

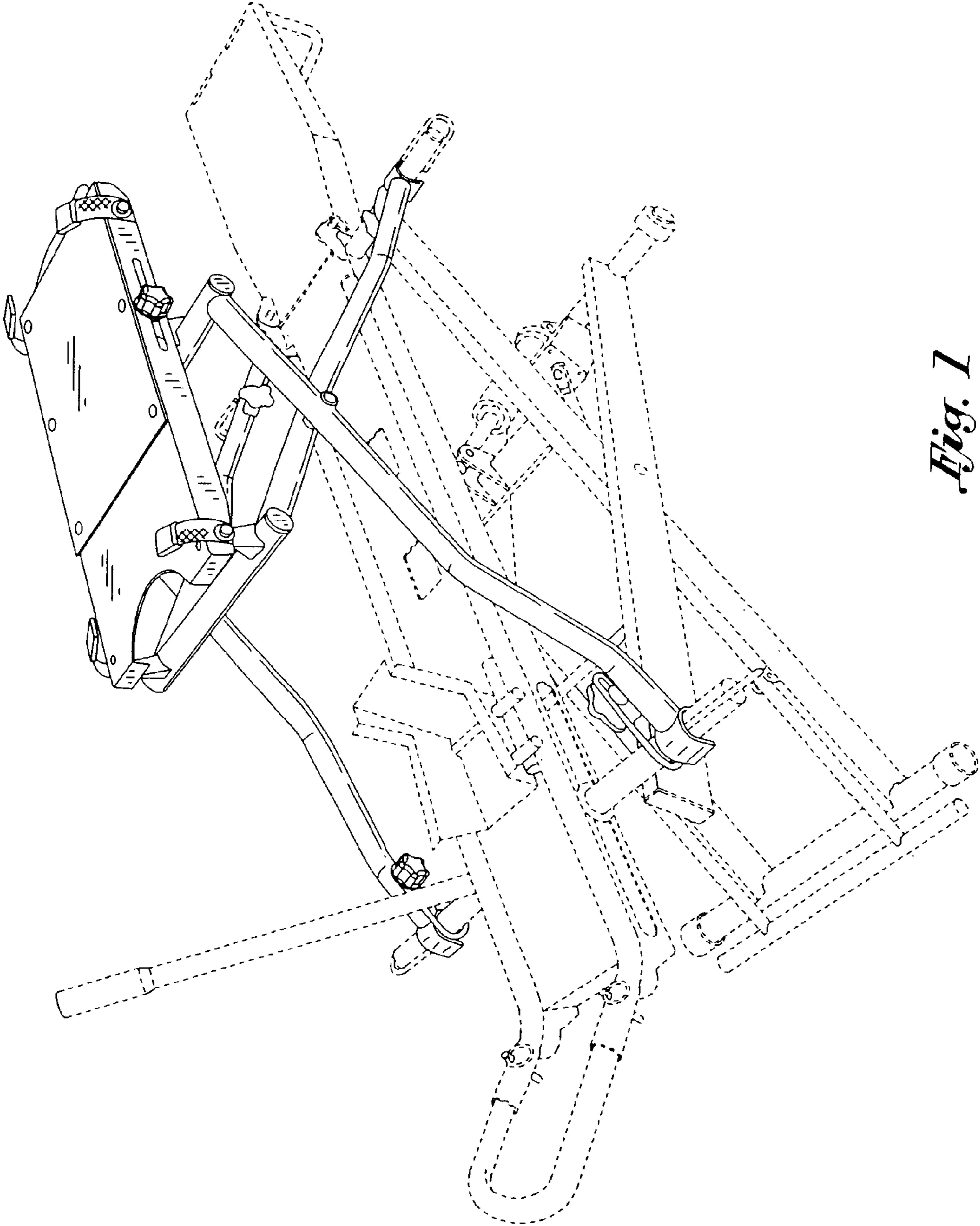
WWW.AMAZINGPRODUCTS.COM, "Amazing UpLift Motorcycle Lift", Aug. 4, 2003, 2 pgs.

WWW.MASTERHOIST.COM, "Master Hoist", Jun. 12, 2003, 5 pgs.

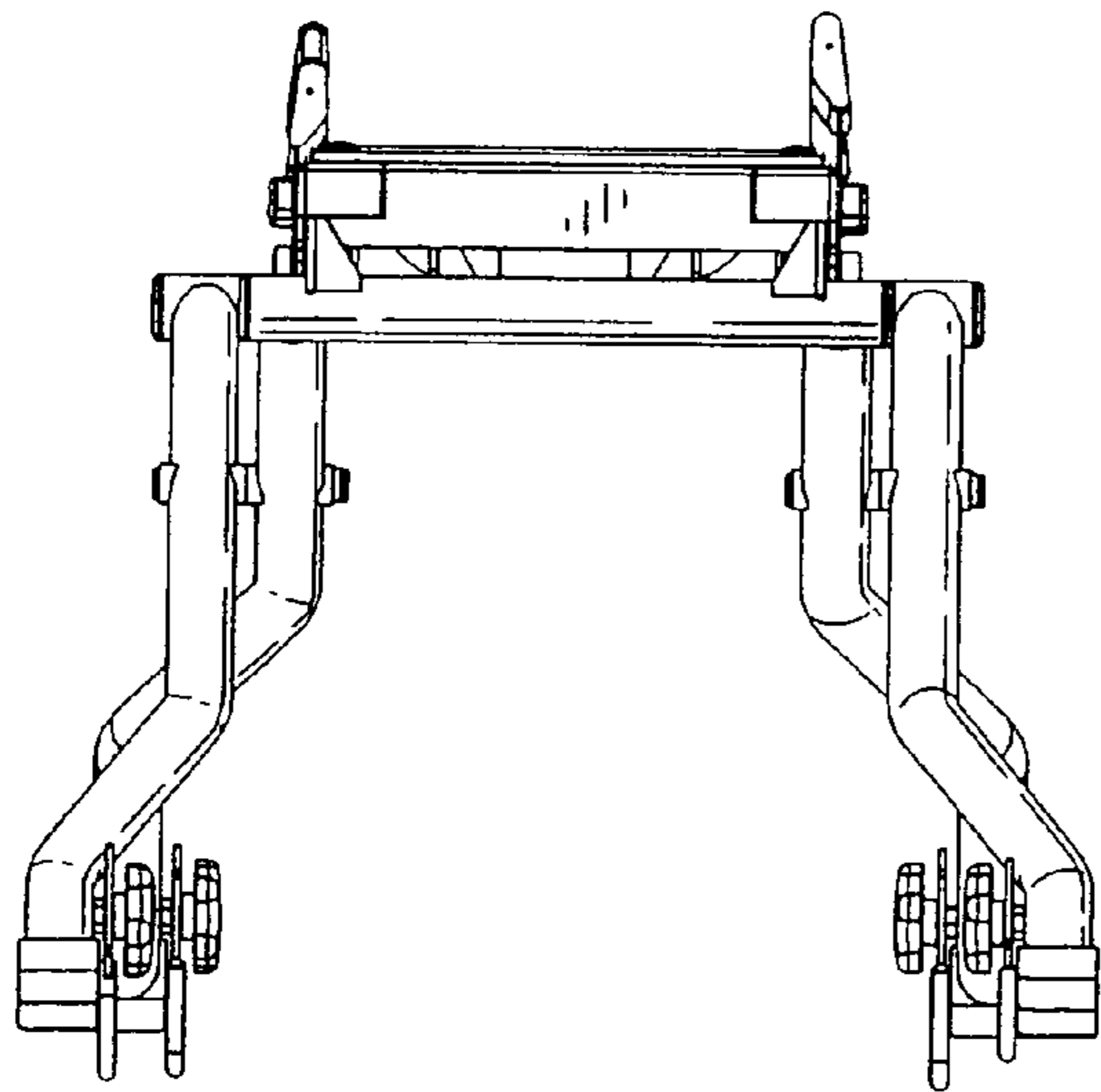
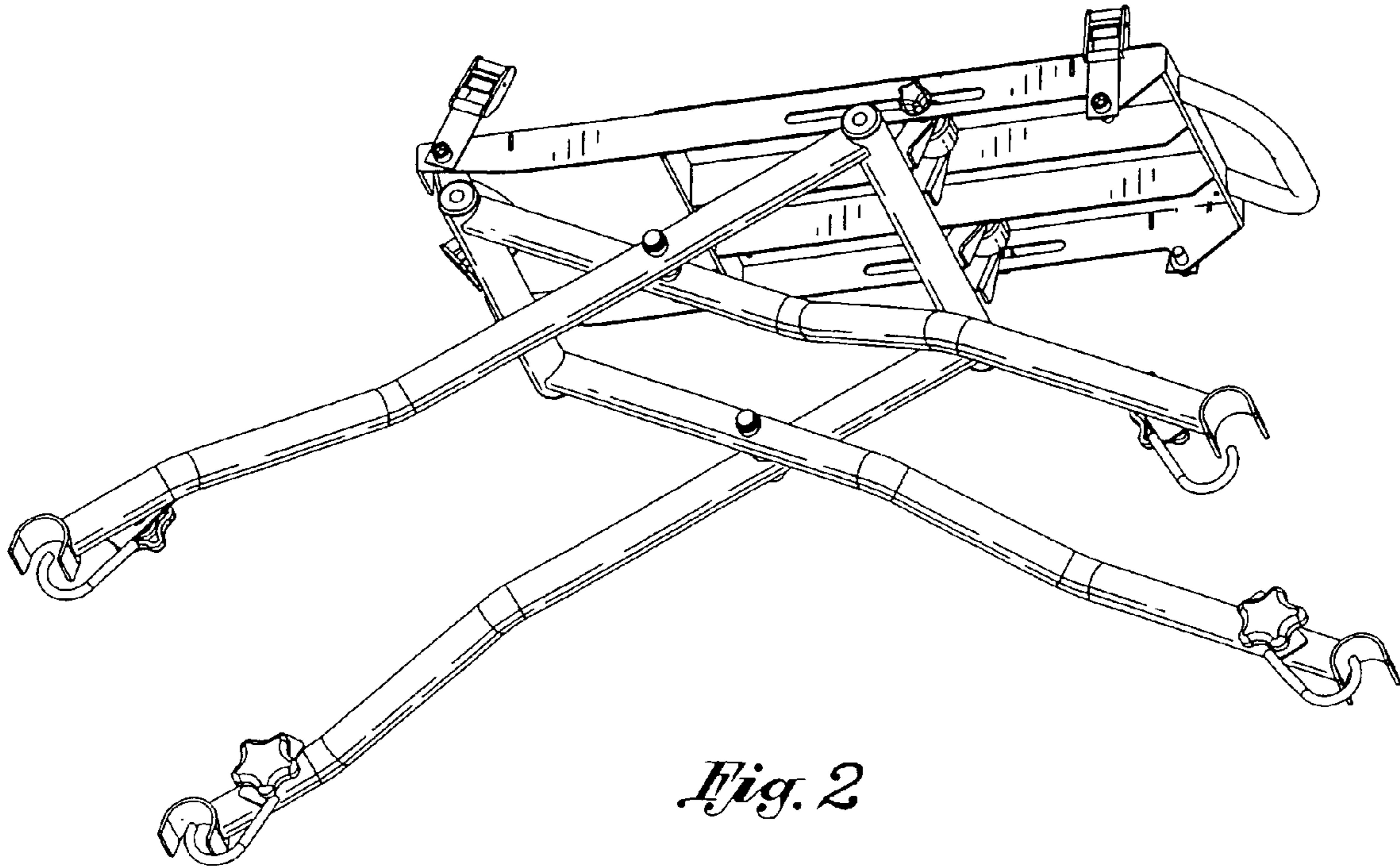
WWW.MASTERHOIST.COM, "The Sportstar Adaptor and Dyna Adaptor", Aug. 4, 2003, 4 pgs.

WWW.ALLPRODUCTS.COM, "Motorcycle Hydraulic Workstand", Aug. 4, 2003, 1 pg.

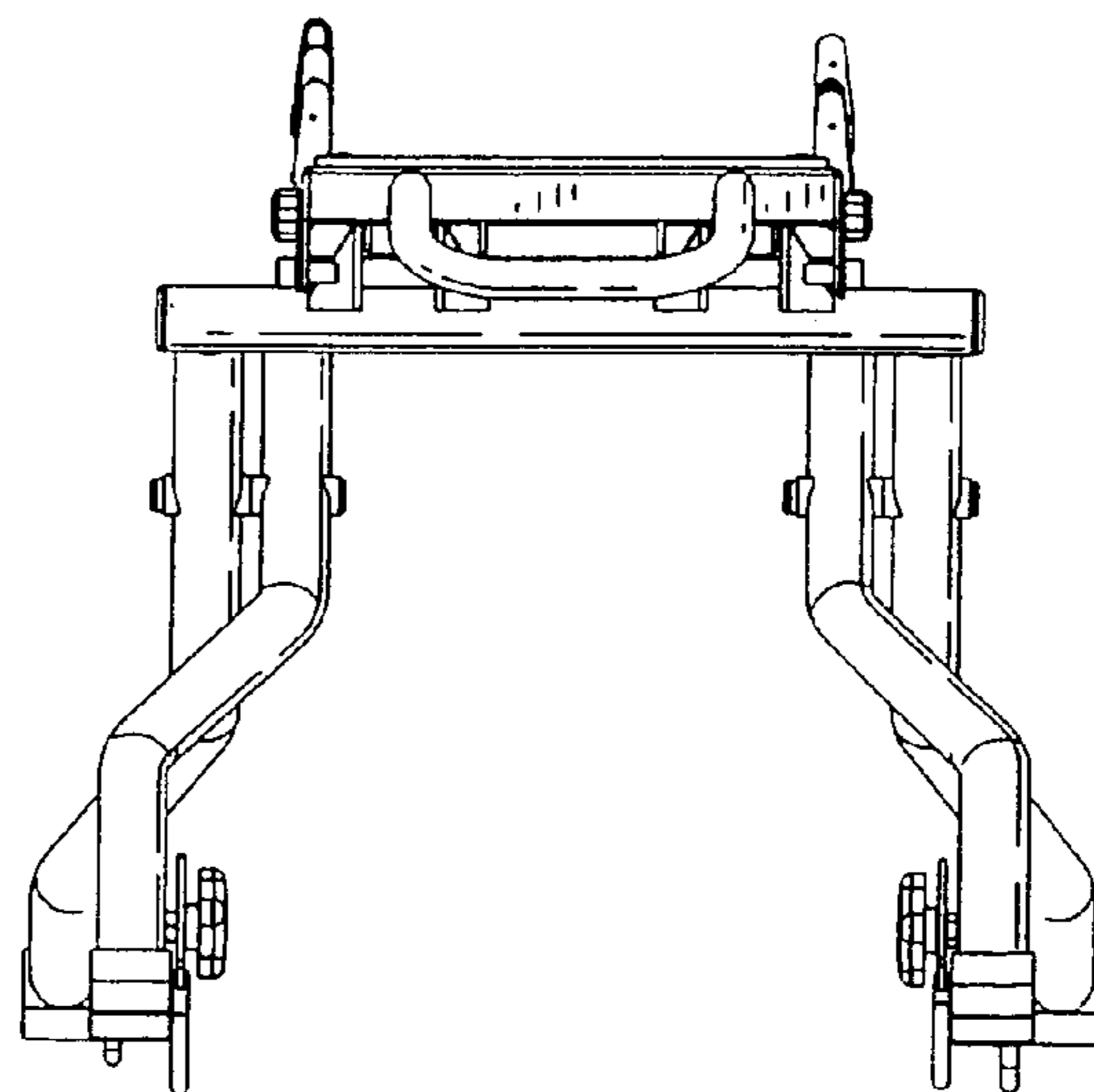
WWW.MOTORCYCLEJACKS.COM, "The MAL-2 Show Edition Motorcycle/ATV Jack", August 4, 2003, 6 pgs.



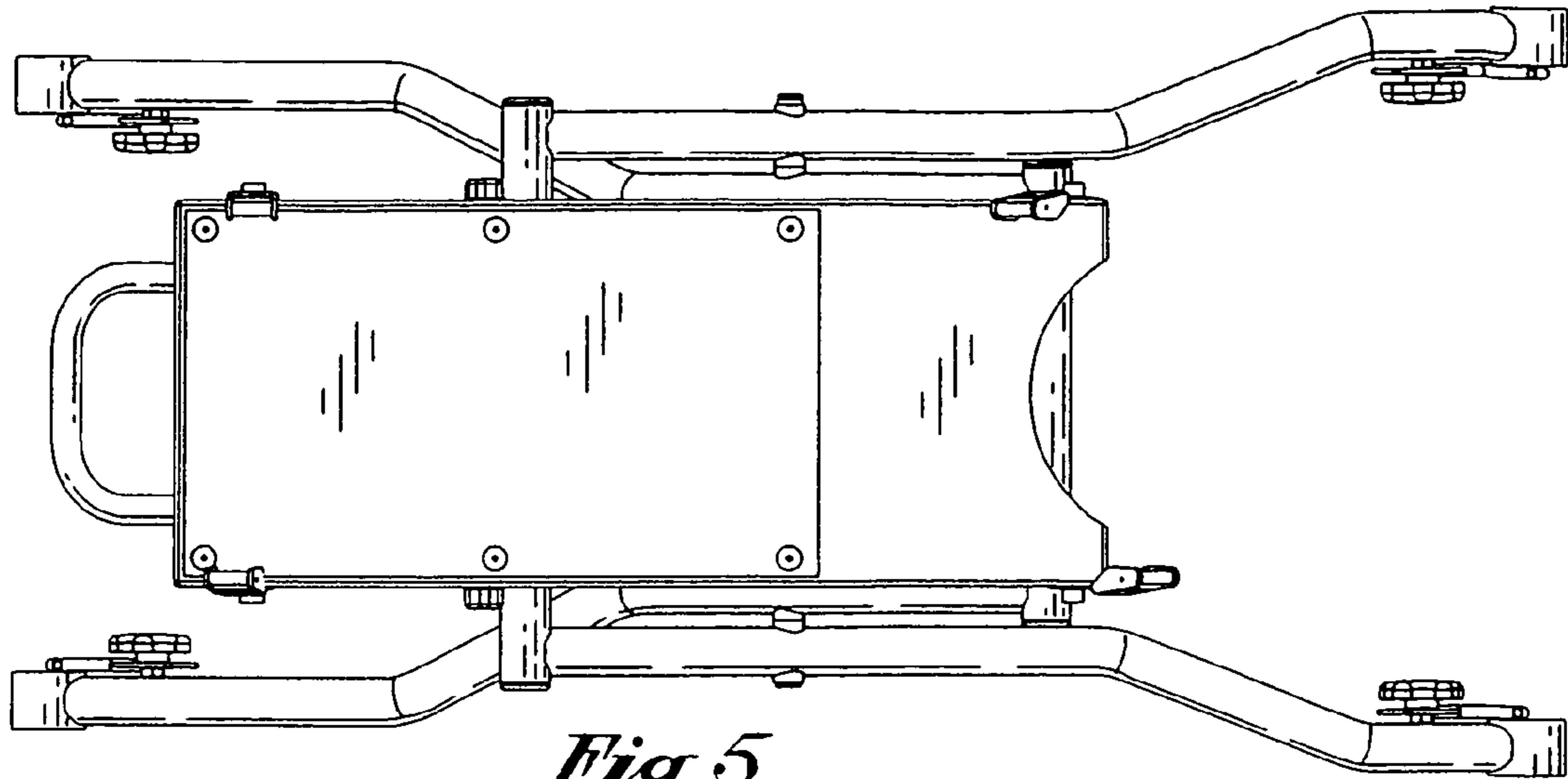
*Fig. 1*



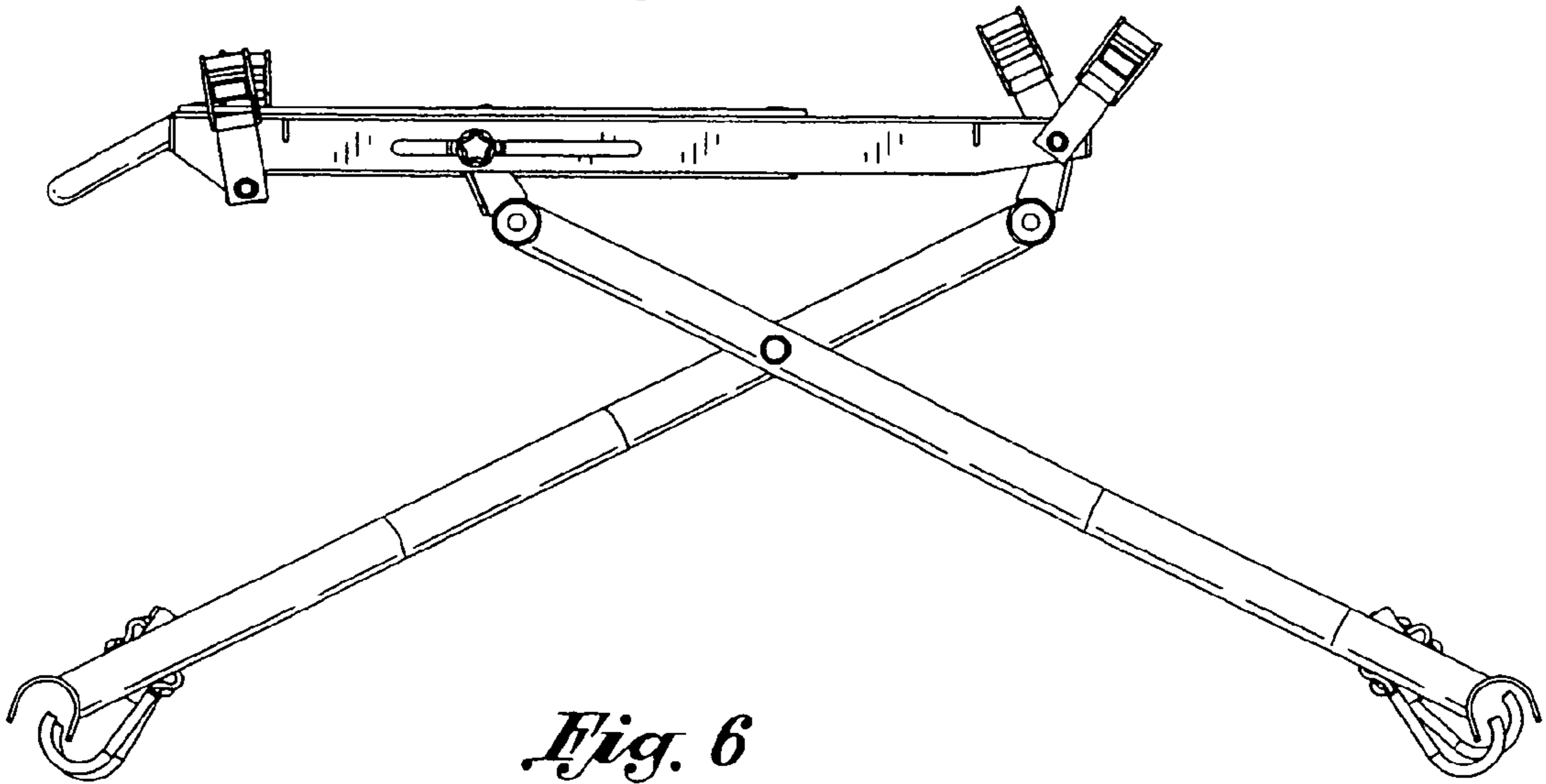
*Fig. 3*



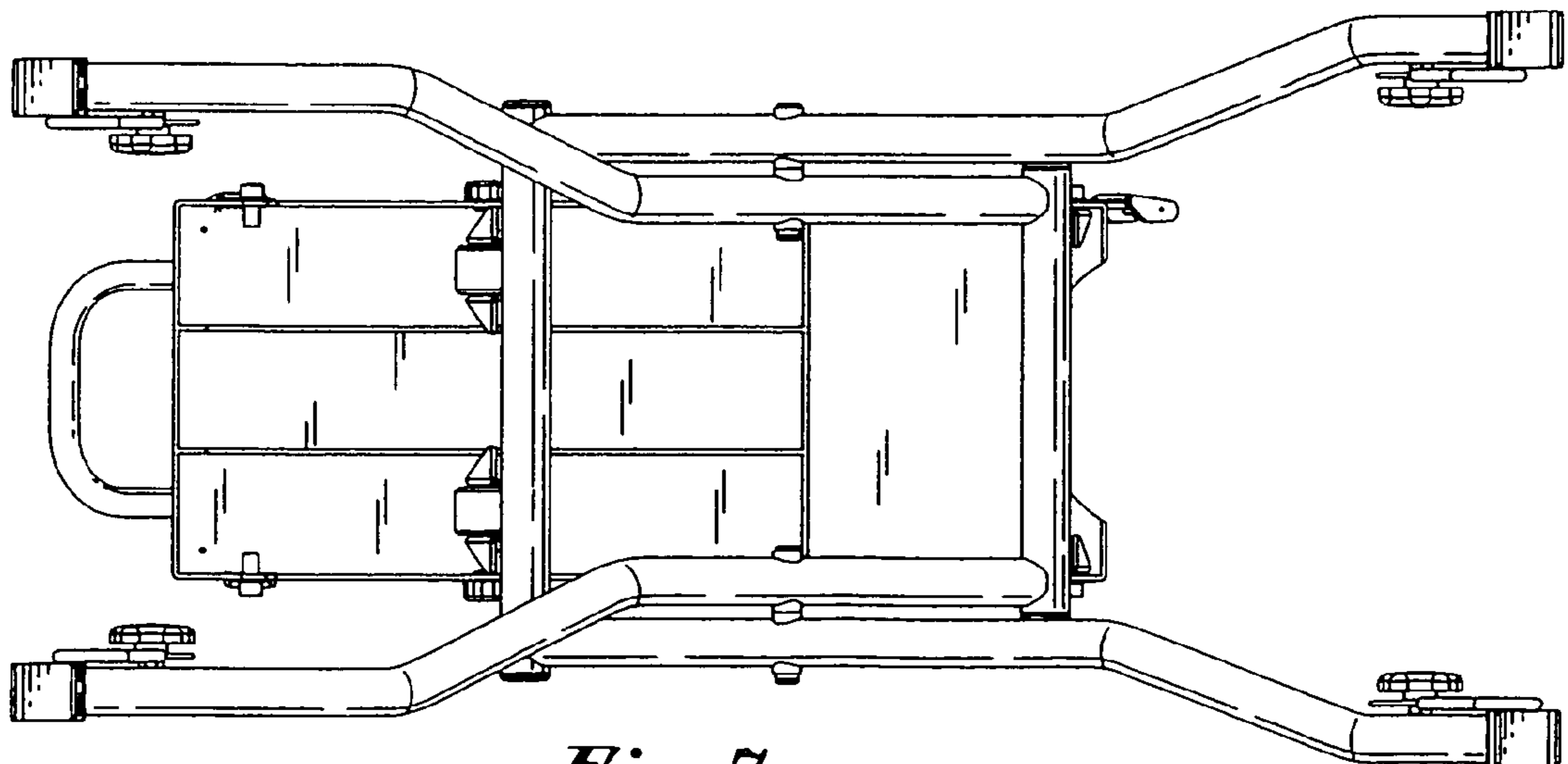
*Fig. 4*



*Fig. 5*



*Fig. 6*



*Fig. 7*