



US00D640439S

(12) **United States Design Patent**
Morris

(10) **Patent No.:** **US D640,439 S**
(45) **Date of Patent:** **** Jun. 21, 2011**

(54) **WHEEL**
(75) Inventor: **Michael A. Morris**, Rancho Palos Verdes, CA (US)
(73) Assignee: **GEO Plastics**, Los Angeles, CA (US)
(**) Term: **14 Years**
(21) Appl. No.: **29/381,644**
(22) Filed: **Dec. 21, 2010**

5,167,439 A 12/1992 Green et al.
5,316,377 A 5/1994 Markling et al.
D352,687 S 11/1994 Markling
D391,731 S 3/1998 Wu
D410,312 S 5/1999 Liao
5,934,763 A 8/1999 Conradsson et al.
D419,516 S 1/2000 Gagnon
D422,258 S 4/2000 Hale, Jr.
D444,283 S 6/2001 Konkle

(Continued)

OTHER PUBLICATIONS

Report for Canadian Industrial Design Application No. 135149, dated Jun. 2, 2010.

(Continued)

Primary Examiner — Cynthia E Ramirez
(74) *Attorney, Agent, or Firm* — Knobbe, Martens, Olson & Bear LLP

Related U.S. Application Data

(62) Division of application No. 29/352,330, filed on Dec. 18, 2009, now Pat. No. Des. 632,044.
(51) **LOC (9) Cl.** **12-02**
(52) **U.S. Cl.** **D34/27**
(58) **Field of Classification Search** D34/1-27;
D12/211, 206, 207, 210; 280/DIG. 6; 301/6.8,
301/64.1, 37.1, 65
See application file for complete search history.

(57) **CLAIM**
The ornamental design for a wheel, as shown and described.

(56) **References Cited**

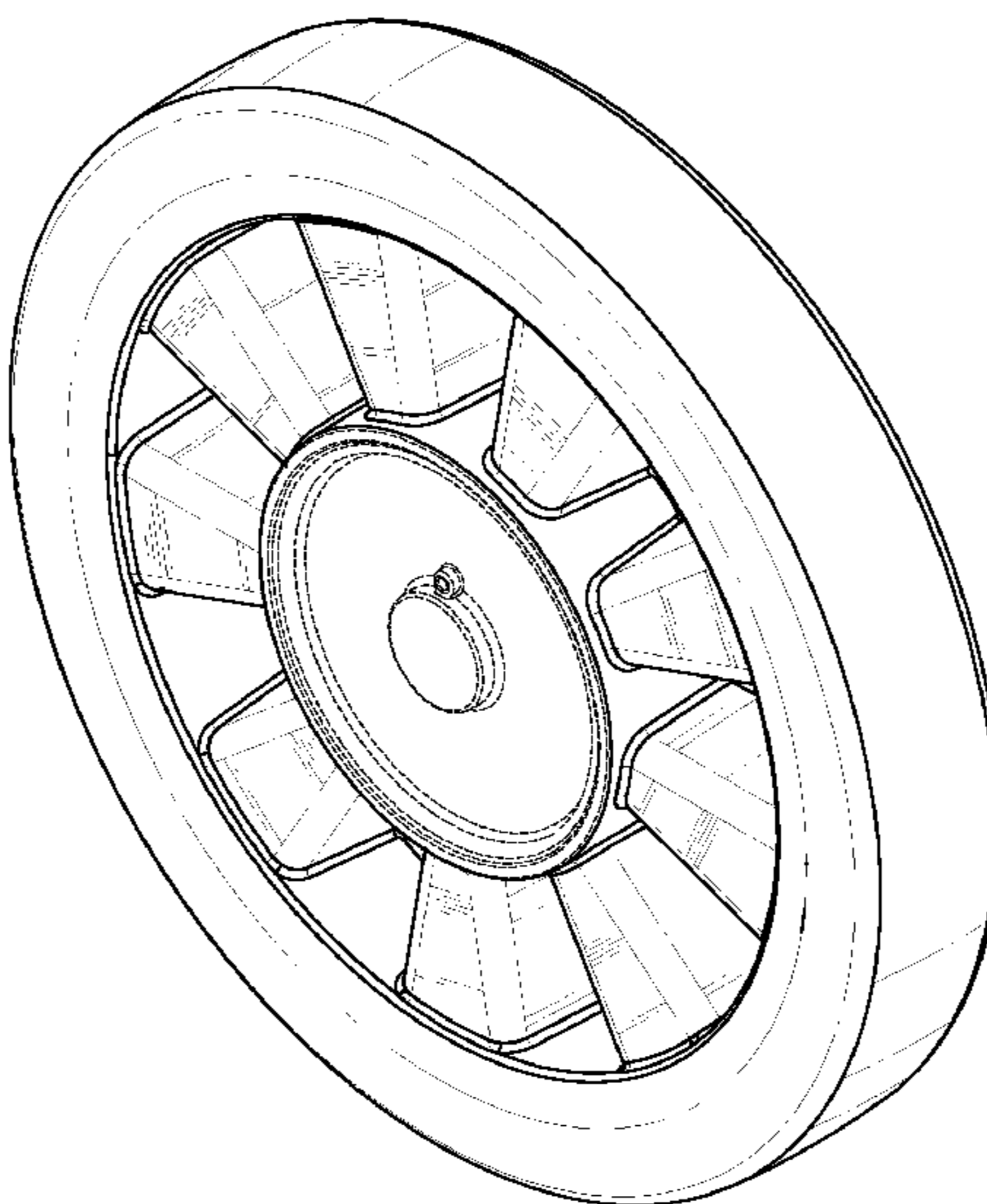
DESCRIPTION

U.S. PATENT DOCUMENTS

1,491,559 A 4/1924 Slick
3,387,894 A 6/1968 Louik
D221,833 S 9/1971 Haydock
3,730,594 A 5/1973 Zbikowski
3,843,202 A 10/1974 Lacerte
3,907,370 A 9/1975 Bard
4,095,846 A 6/1978 Agins
4,170,384 A 10/1979 Rotheiser
4,208,073 A 6/1980 Hechinger
4,351,084 A 9/1982 Fontana
4,447,093 A 5/1984 Cunard et al.
4,592,595 A 6/1986 Freeman
4,870,736 A 10/1989 Kacalieff
4,879,794 A 11/1989 Djerf
D327,048 S 6/1992 Markling et al.
D328,053 S 7/1992 Markling

FIG. 1 is a right, front, and top perspective view of an embodiment of a wheel;
FIG. 2 is a left, rear, and top perspective view of the wheel of FIG. 1;
FIG. 3 is a front elevational view of the wheel of FIG. 1;
FIG. 4 is a right elevational view of the wheel of FIG. 1;
FIG. 5 is a rear elevational view of the wheel of FIG. 1;
FIG. 6 is a left elevational view of the wheel of FIG. 1;
FIG. 7 is a top plan view of the wheel of FIG. 1; and,
FIG. 8 is a bottom plan view of the wheel of FIG. 1.
The broken line showing of a hub and spacer in FIGS. 1-8 is included for the purpose of illustrating environment and forms no part of the claimed design.

1 Claim, 8 Drawing Sheets



US D640,439 S

Page 2

U.S. PATENT DOCUMENTS

D444,284 S 6/2001 Konkle
D444,757 S 7/2001 Ward
6,913,324 B2 7/2005 Markling
D542,003 S 5/2007 Morris
D567,730 S 4/2008 Polka
D570,070 S 5/2008 Morris
7,481,498 B1 1/2009 Morris
D586,071 S 2/2009 Morris

D586,072 S 2/2009 Morris
D632,044 S * 2/2011 Morris D34/27
2010/0052412 A1 3/2010 Morris

OTHER PUBLICATIONS

Notice of Allowance for U.S. App. No. 29/352,330, dated Sep. 24, 2010.

* cited by examiner

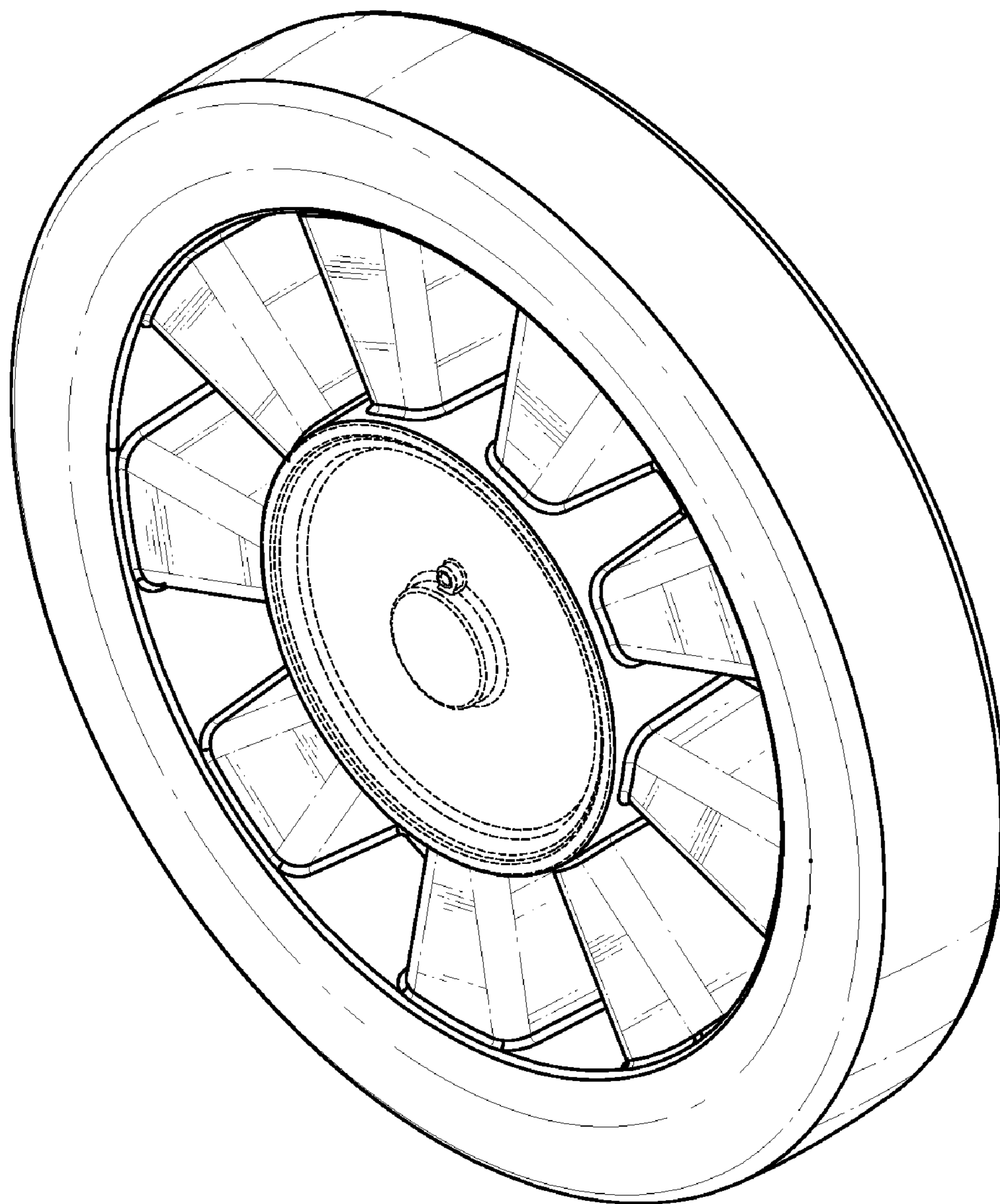


FIG. 1

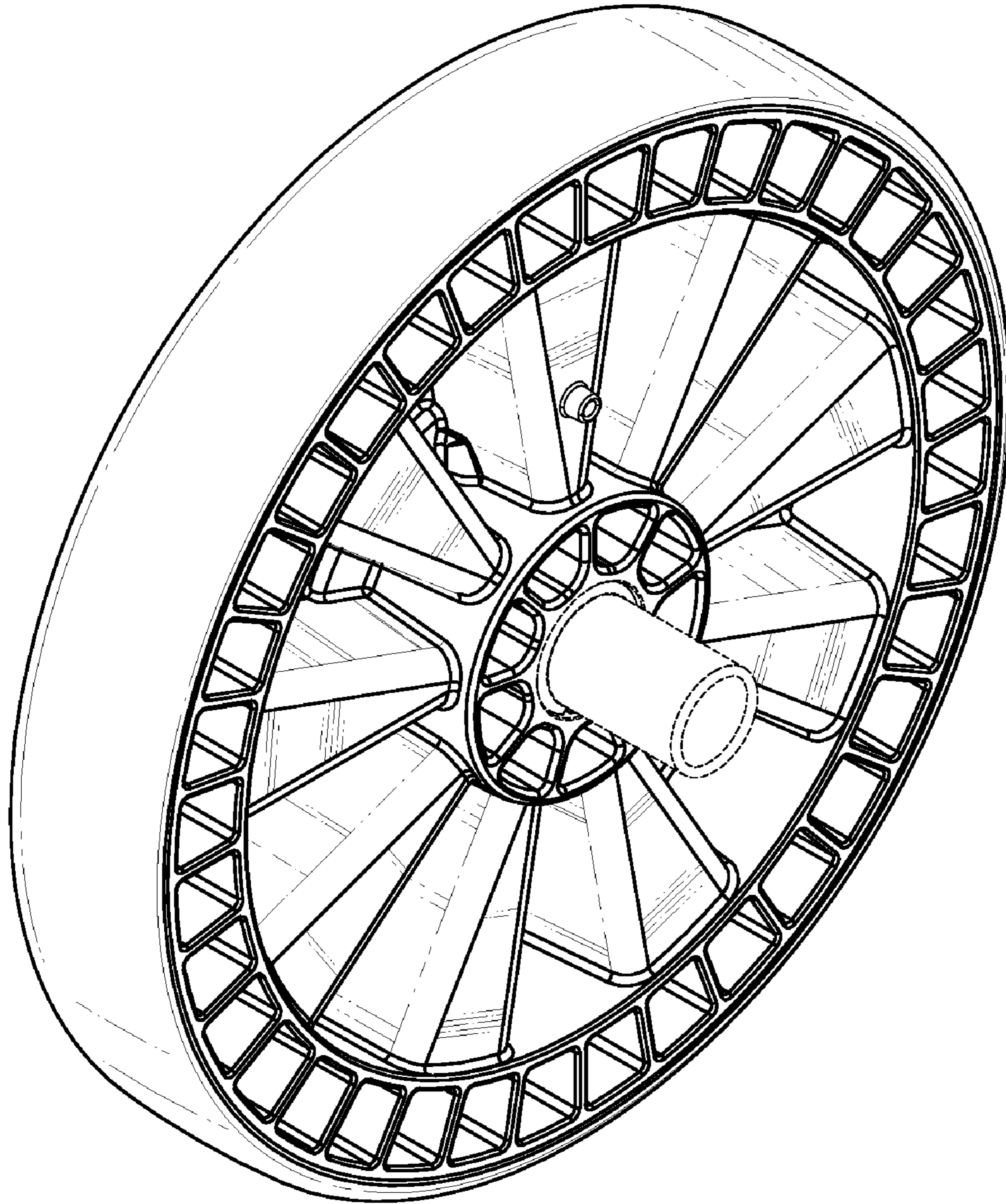


FIG. 2

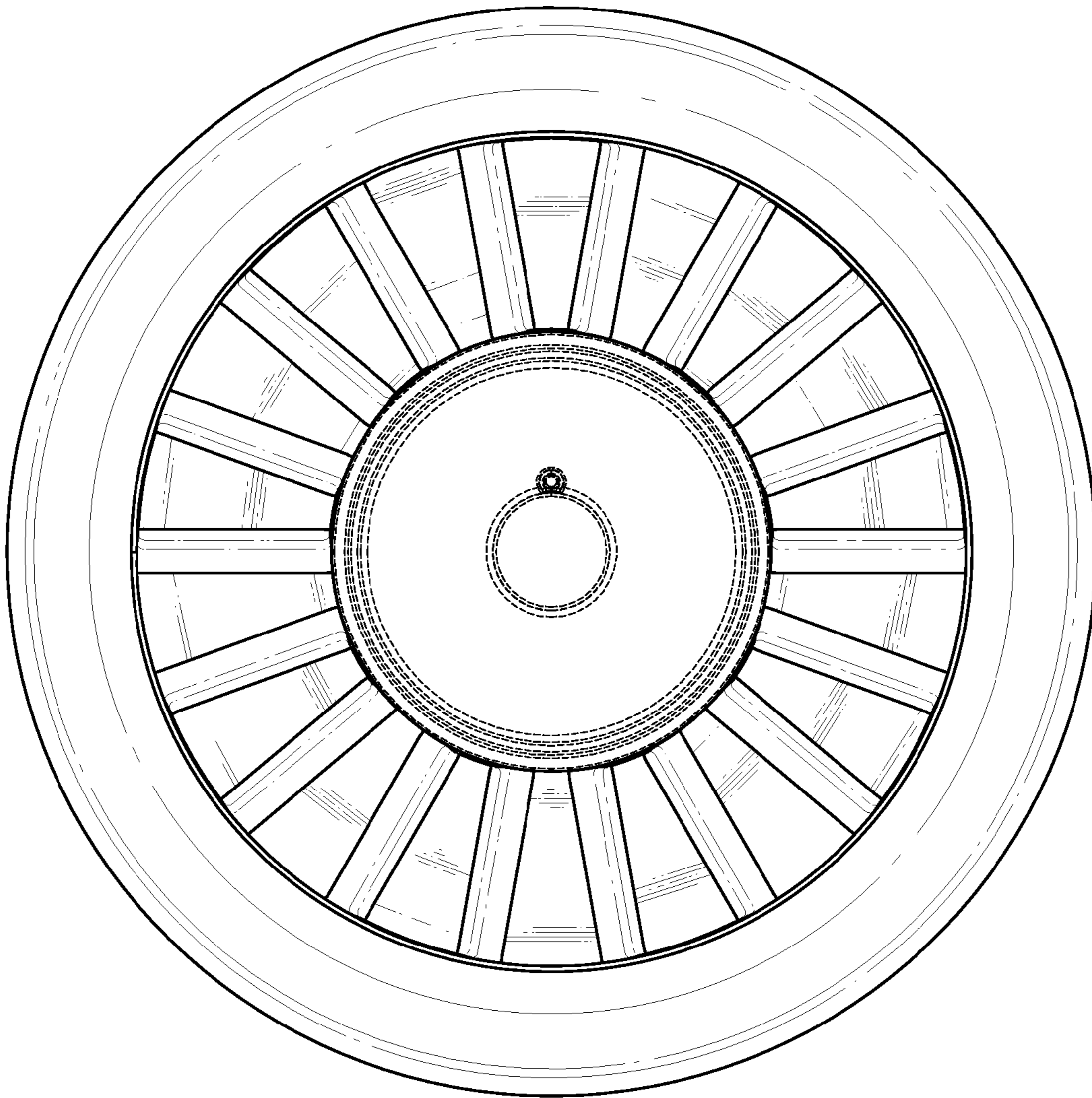


FIG. 3

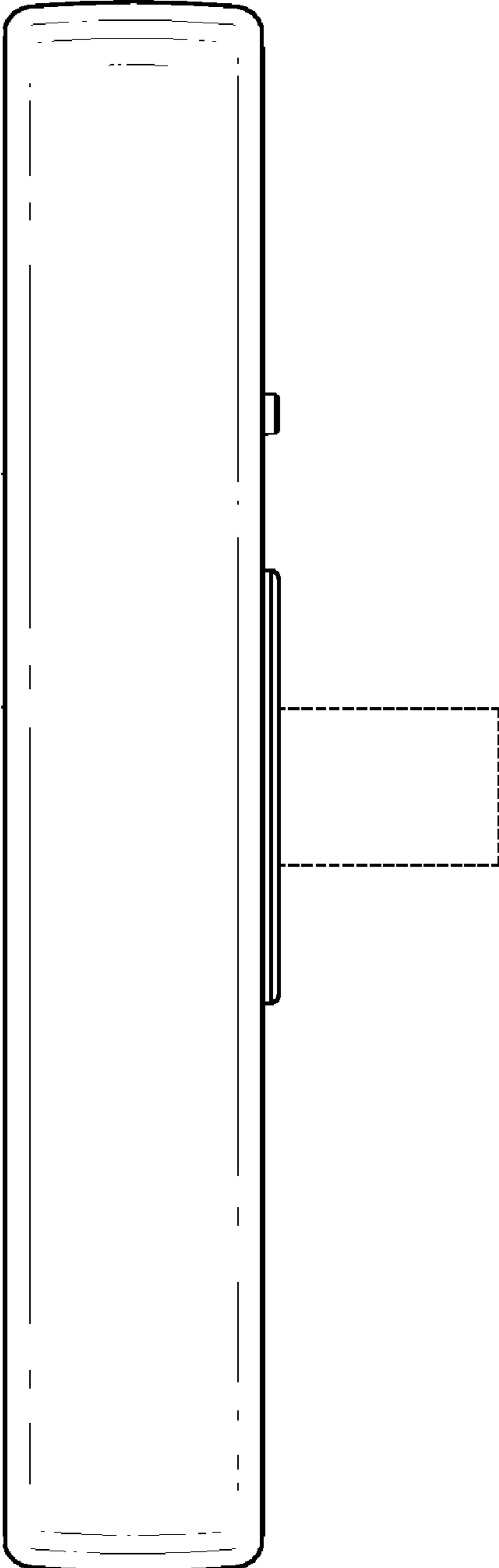


FIG. 4

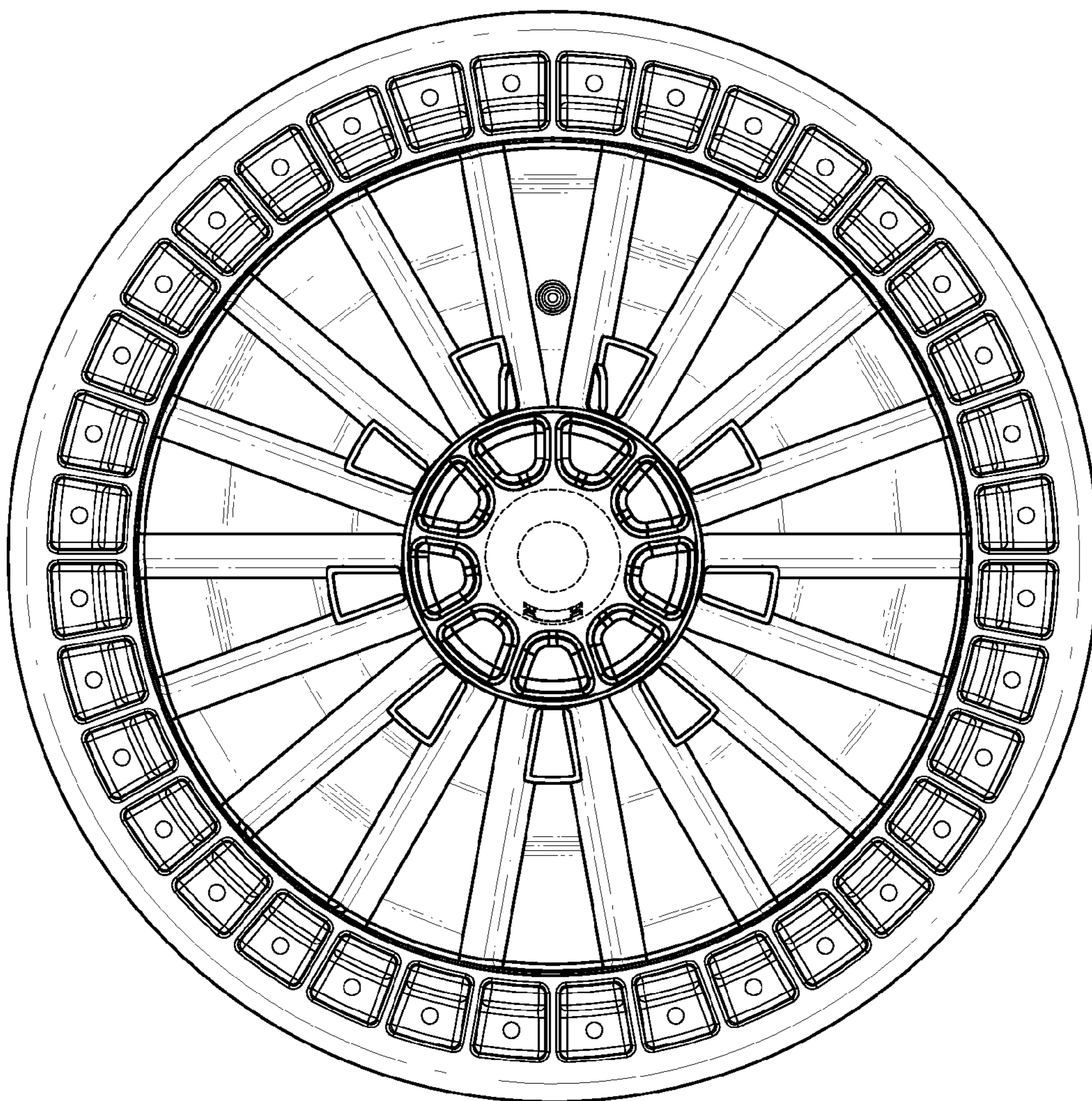


FIG. 5

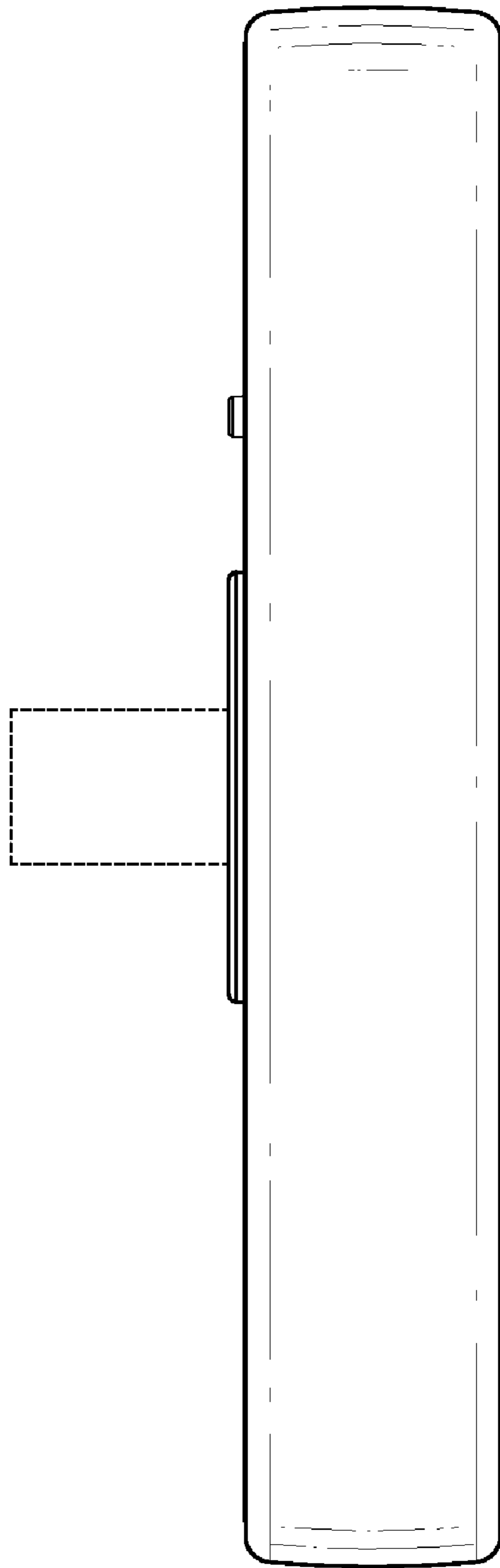


FIG. 6

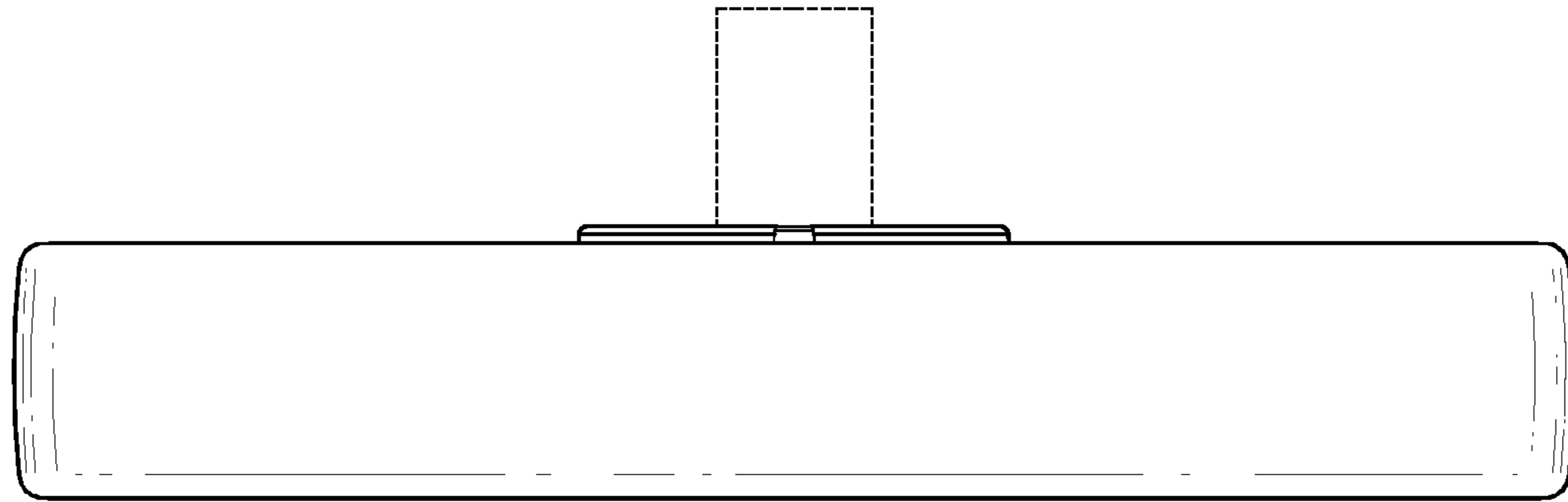


FIG. 7

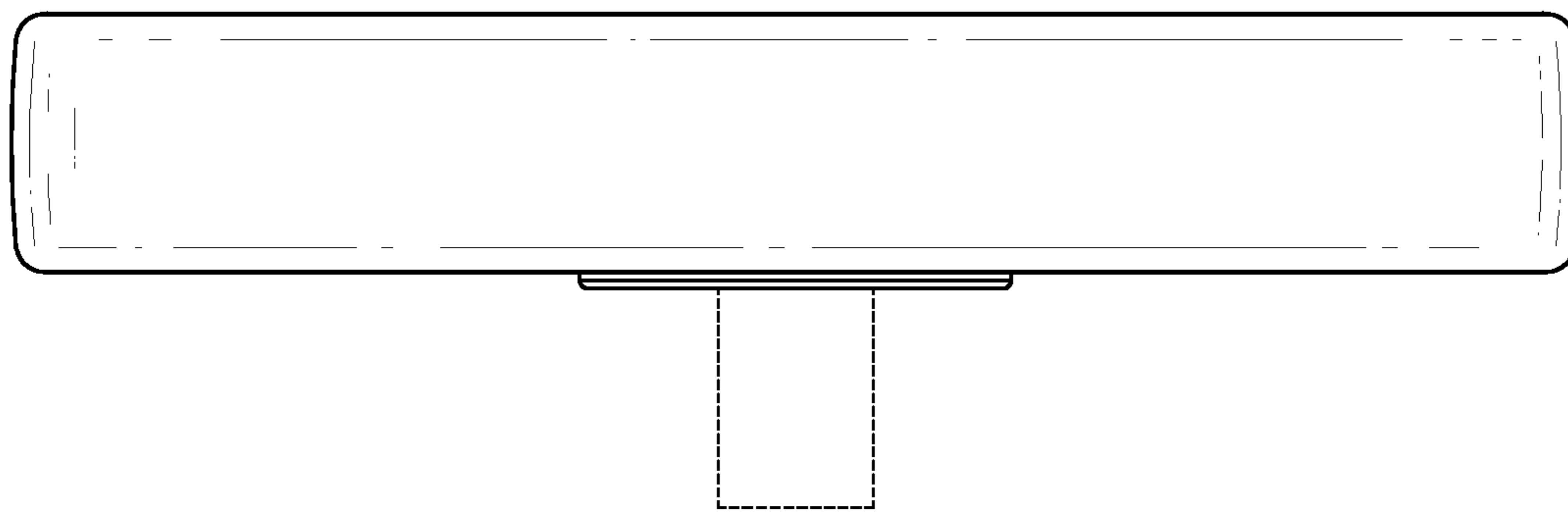


FIG. 8