



US00D640438S

(12) **United States Design Patent**
Worth

(10) **Patent No.:** **US D640,438 S**

(45) **Date of Patent:** **** Jun. 21, 2011**

(54) **LOAD CARRYING ARRANGEMENT**

(76) **Inventor:** **James Bruce Worth**, North Arlington,
NJ (US)

(**) **Term:** **14 Years**

(21) **Appl. No.:** **29/348,934**

(22) **Filed:** **Feb. 22, 2010**

(51) **LOC (9) Cl.** **12-02**

(52) **U.S. Cl.** **D34/24**

(58) **Field of Classification Search** D34/12-27;
280/33.998, 47.131, 47.315, 655.1, 79.2,
280/47.28, 47.29, 47.2, 47.19, 47.27

See application file for complete search history.

(56) **References Cited**

U.S. PATENT DOCUMENTS

D150,475	S	*	8/1948	Swenson	D34/17
D174,307	S	*	3/1955	Anderson	D34/26
D203,108	S	*	12/1965	Cohen	D34/26
4,261,596	A	*	4/1981	Douglas	280/652
D287,178	S	*	12/1986	Babb et al.	D34/24
D292,639	S	*	11/1987	Kean et al.	D34/15
5,340,135	A	*	8/1994	Womberly	280/47.19
5,551,716	A	*	9/1996	Kordecki et al.	280/47.18
D456,971	S	*	5/2002	Abel	D34/16
D465,631	S	*	11/2002	Brant	D34/16

D481,512	S	*	10/2003	Lee	D34/24
6,848,695	B2	*	2/2005	Panasewicz et al.	280/33.998
D531,376	S	*	10/2006	Tetradis	D34/24
D564,724	S	*	3/2008	Dethier	D34/24
D622,471	S	*	8/2010	Hernandez	D34/12
2008/0272578	A1	*	11/2008	Tsai	280/651

* cited by examiner

Primary Examiner — Cynthia Ramirez

(74) *Attorney, Agent, or Firm* — Lawrence G. Fridman

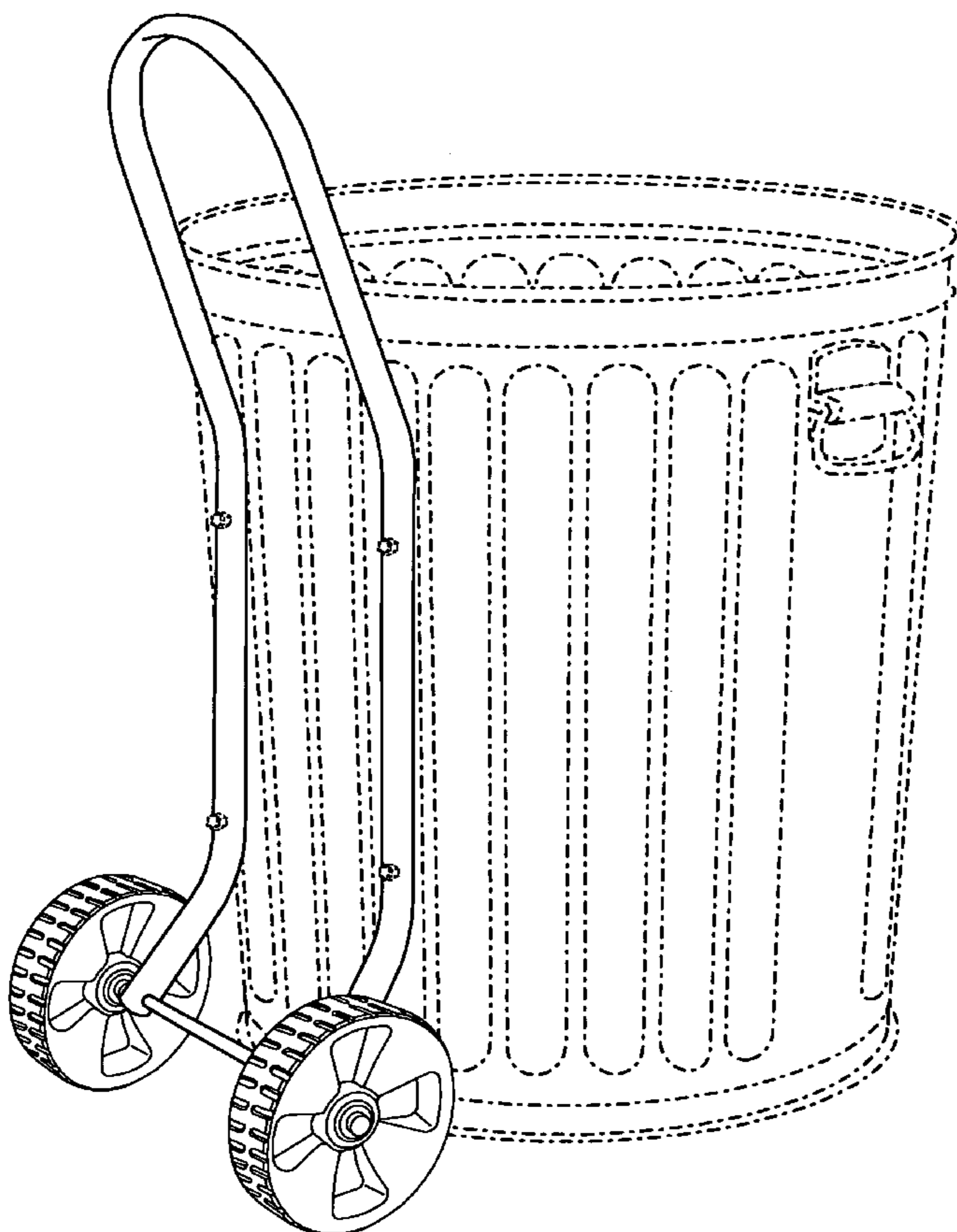
(57) **CLAIM**

The ornamental design for a load carrying arrangement, as shown and described.

DESCRIPTION

FIG. 1 is a perspective view of a load carrying arrangement showing my new design;
 FIG. 2 is a rear elevational view thereof;
 FIG. 3 is a front elevational view thereof;
 FIG. 4 is one side elevational view; the other side being a mirror image thereof;
 FIG. 5 is a top plan view thereof; and,
 FIG. 6 is a bottom plan view thereof.
 The broken line showing of a container in the figures is included for the purpose of illustrating environment and forms no part of the claimed design.

1 Claim, 6 Drawing Sheets



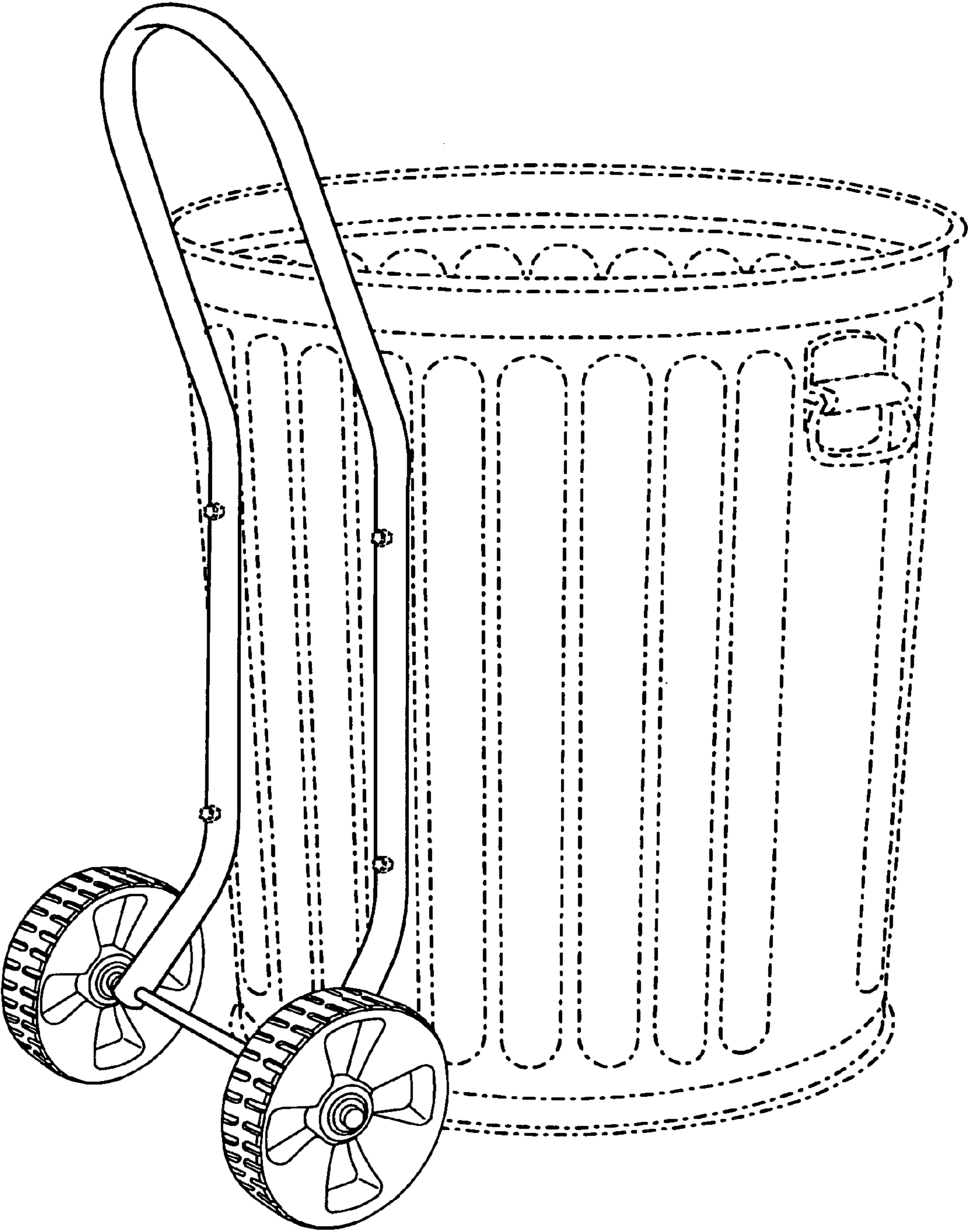


FIG. 1

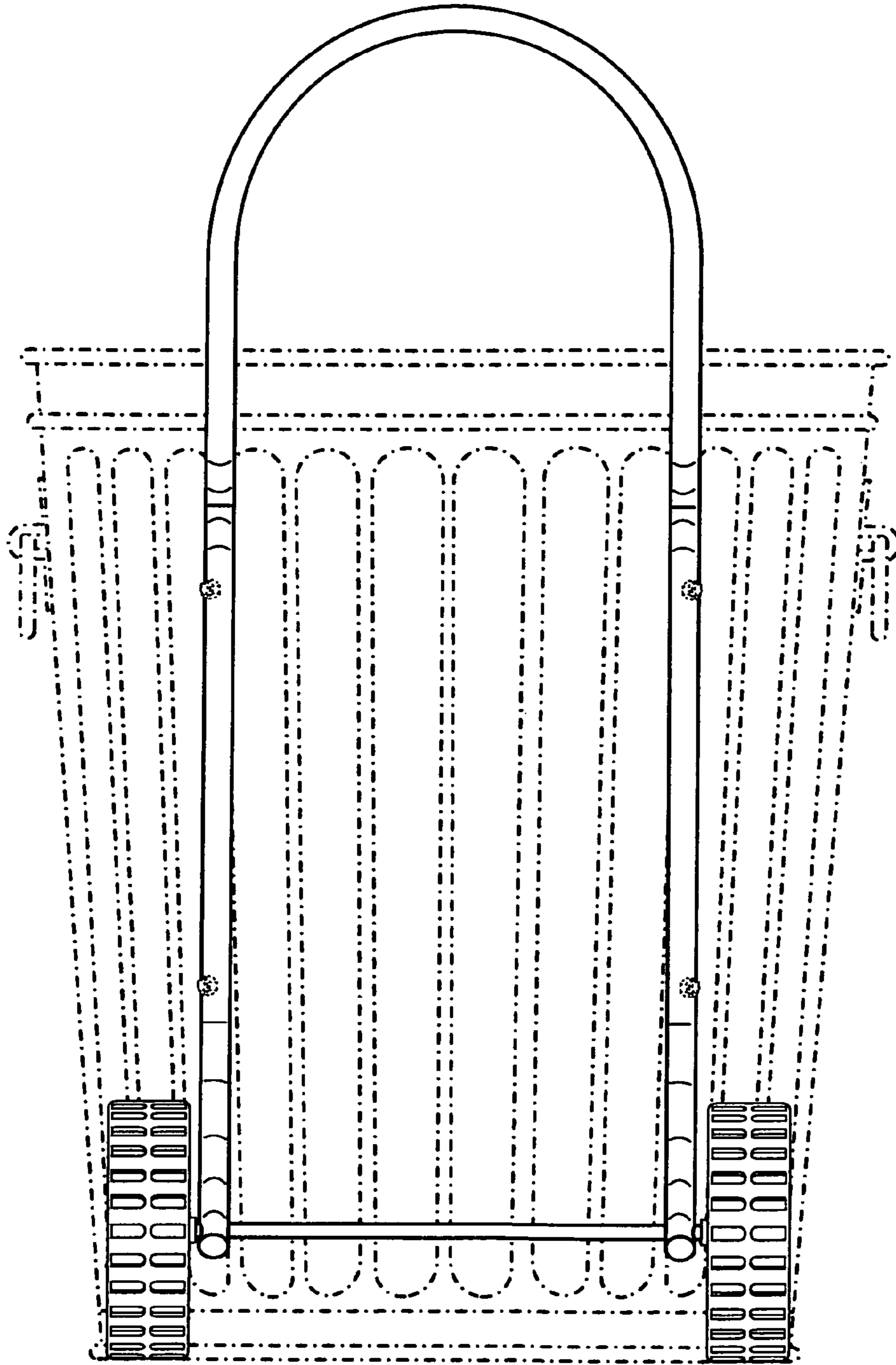


FIG. 2

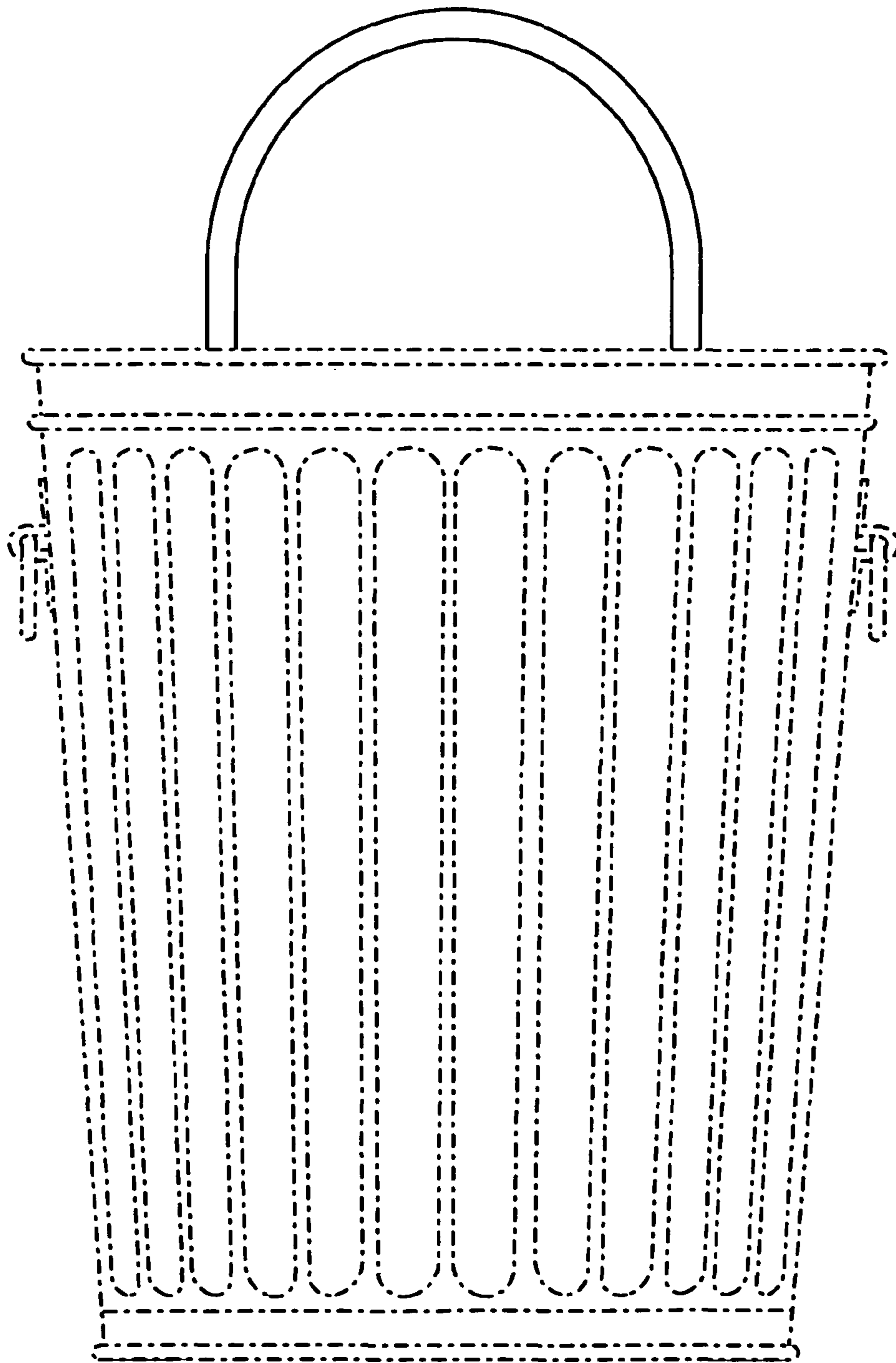


FIG. 3

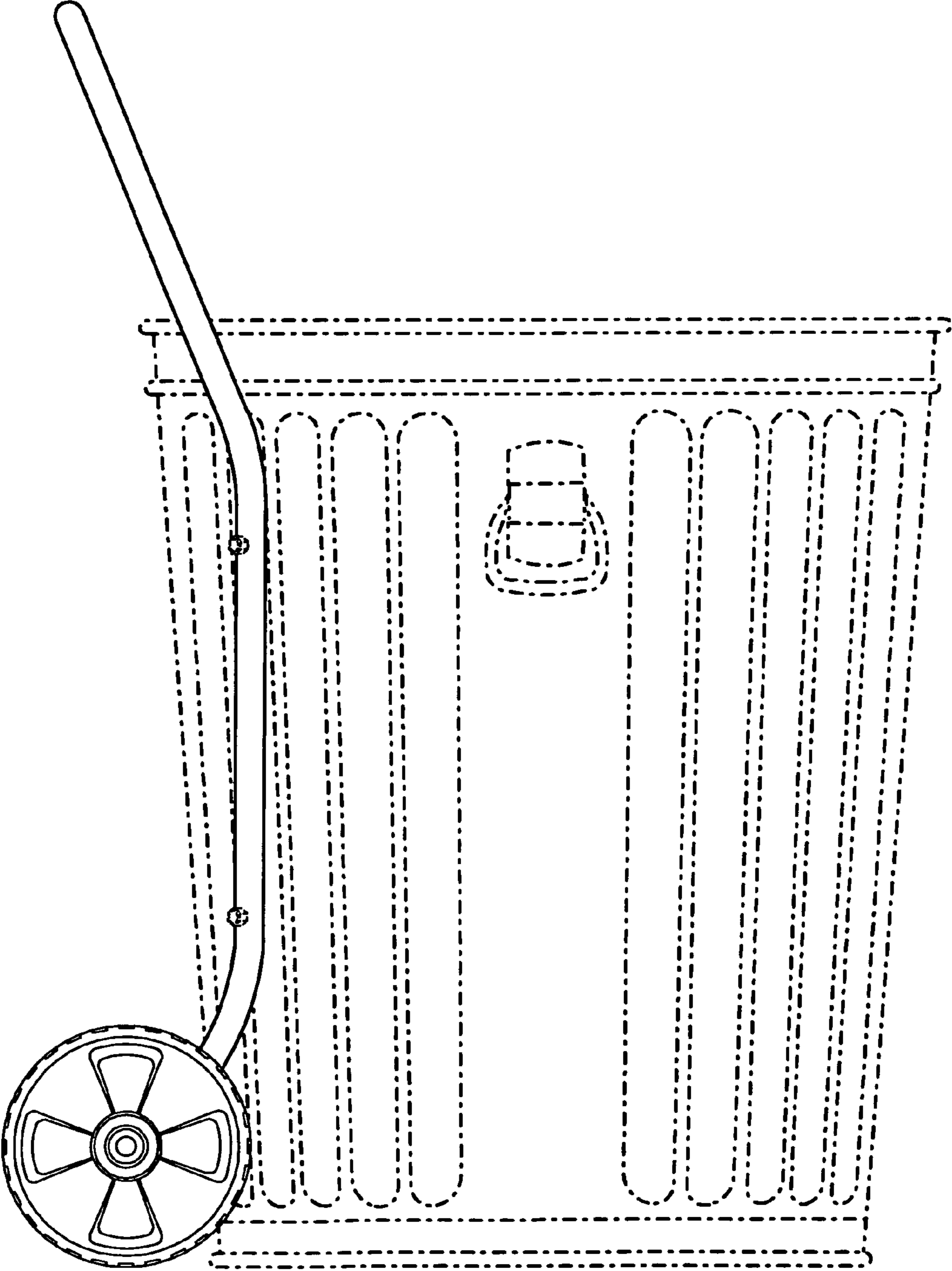


FIG. 4

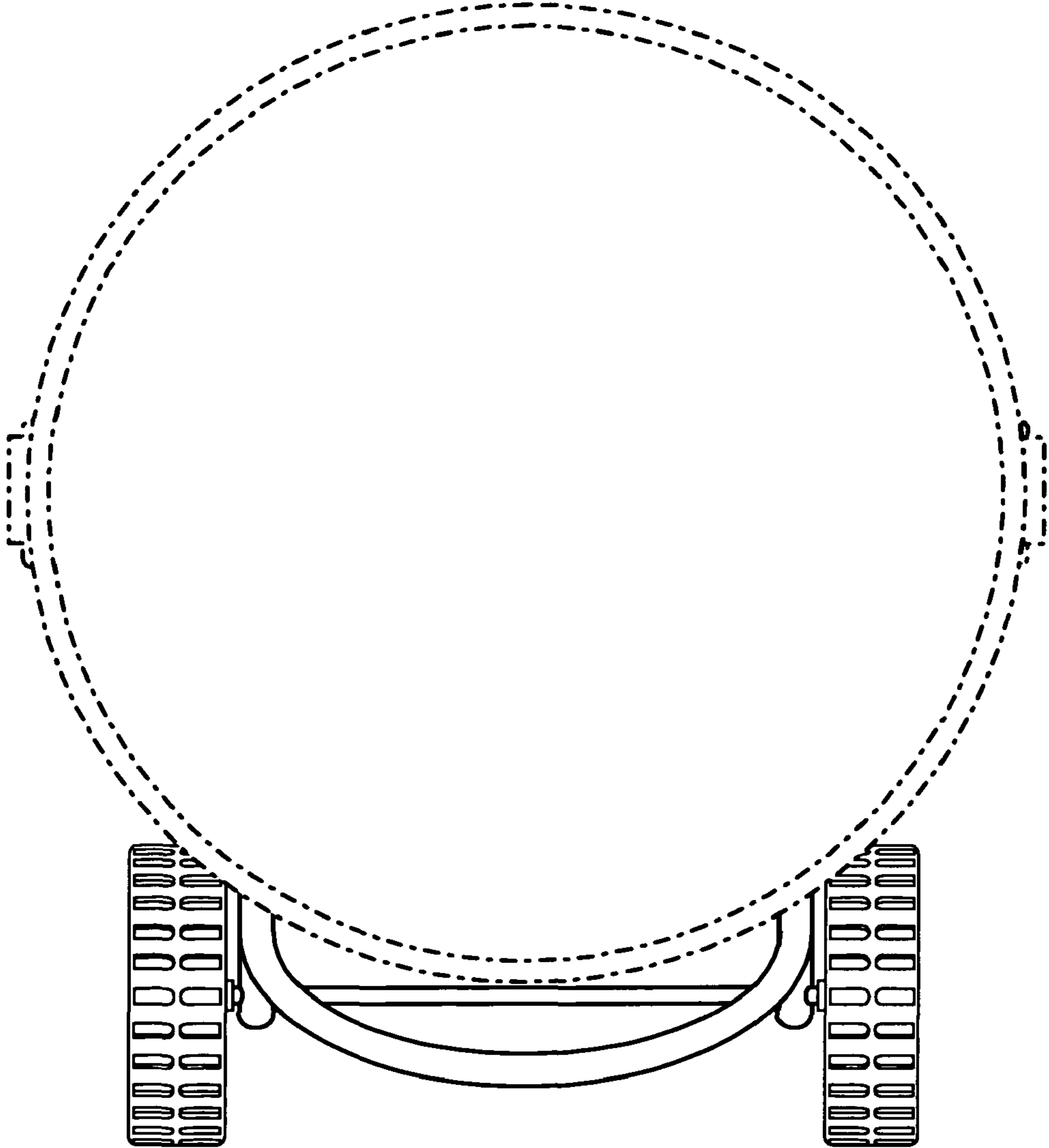


FIG. 5

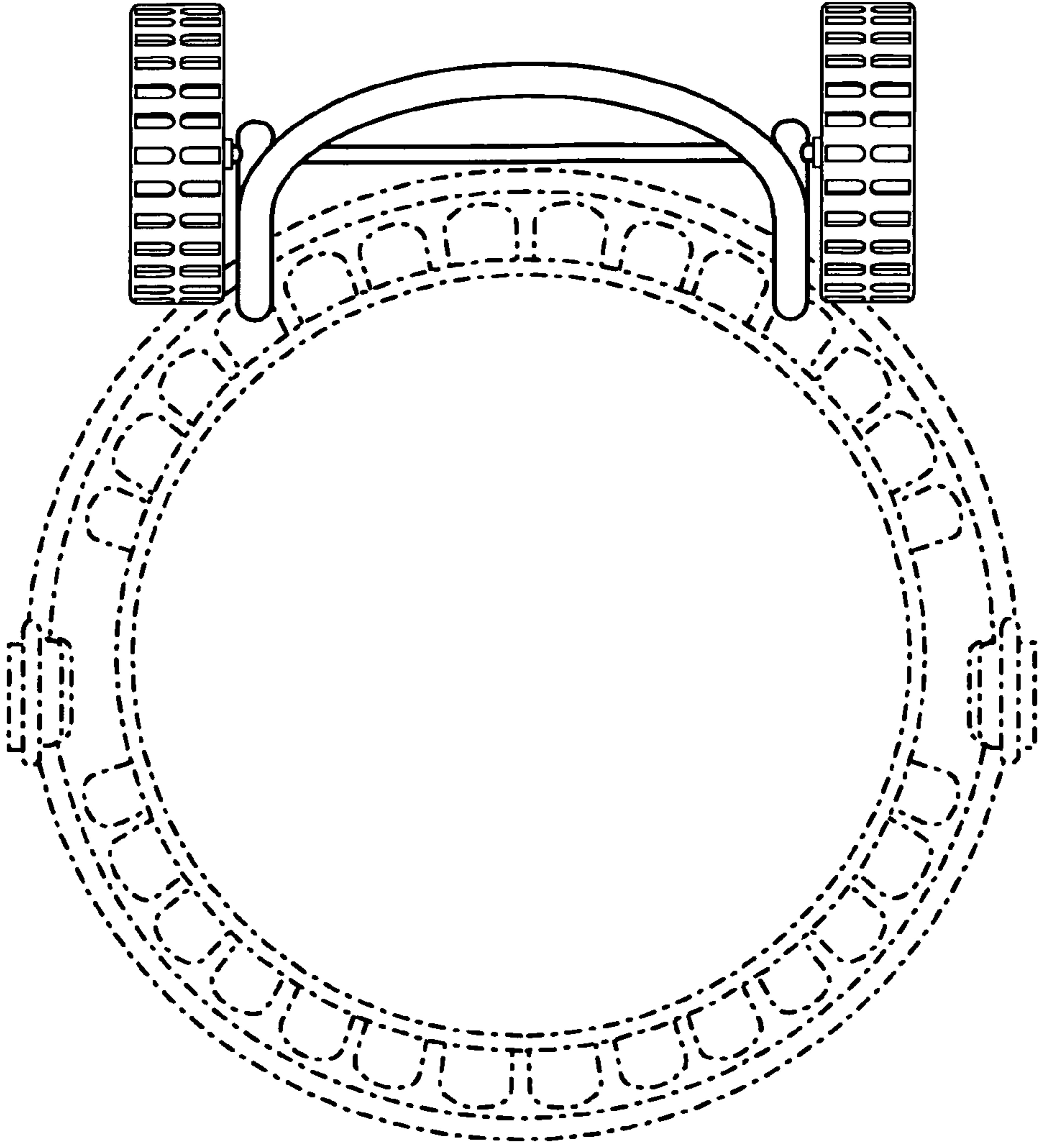


FIG. 6