



US00D640437S

(12) **United States Design Patent**  
**Opsahl et al.**

(10) **Patent No.:** **US D640,437 S**

(45) **Date of Patent:** **\*\* Jun. 21, 2011**

(54) **AIR CONDITIONING MAINTENANCE CART ASSEMBLY**

(75) Inventors: **Scott Opsahl**, Lakeville, MN (US);  
**Marc Rosone**, Northville, MI (US); **Tim Wagaman**, Owatonna, MN (US); **Mark McMasters**, Owatonna, MN (US)

(73) Assignee: **SPX Corporation**, Charlotte, NC (US)

(\*\*) Term: **14 Years**

(21) Appl. No.: **29/368,850**

(22) Filed: **Aug. 31, 2010**

(51) **LOC (9) Cl.** ..... **12-02**

(52) **U.S. Cl.** ..... **D34/19**

(58) **Field of Classification Search** ..... D34/12-27;  
D6/445, 447, 432, 438; 280/47.35, 79.7;  
312/249.1, 257, 324, 249.8

See application file for complete search history.

(56) **References Cited**

**U.S. PATENT DOCUMENTS**

D299,345 S *	1/1989	Foy et al.	.....	D14/307
5,518,310 A *	5/1996	Ellman et al.	.....	312/249.12
D419,230 S *	1/2000	Ciccone	.....	D23/333
D430,374 S *	8/2000	Betcher et al.	.....	D34/20
D442,756 S *	5/2001	Jarvis et al.	.....	D34/19

D465,895 S *	11/2002	Pfefferle et al.	.....	D34/19
6,626,445 B2 *	9/2003	Murphy et al.	.....	280/47.34
D535,453 S *	1/2007	Japuntich et al.	.....	D34/27
2004/0222335 A1 *	11/2004	Panek, Jr.	.....	248/129

\* cited by examiner

*Primary Examiner* — Cynthia E Ramirez

(74) *Attorney, Agent, or Firm* — Baker & Hostetler LLP

(57) **CLAIM**

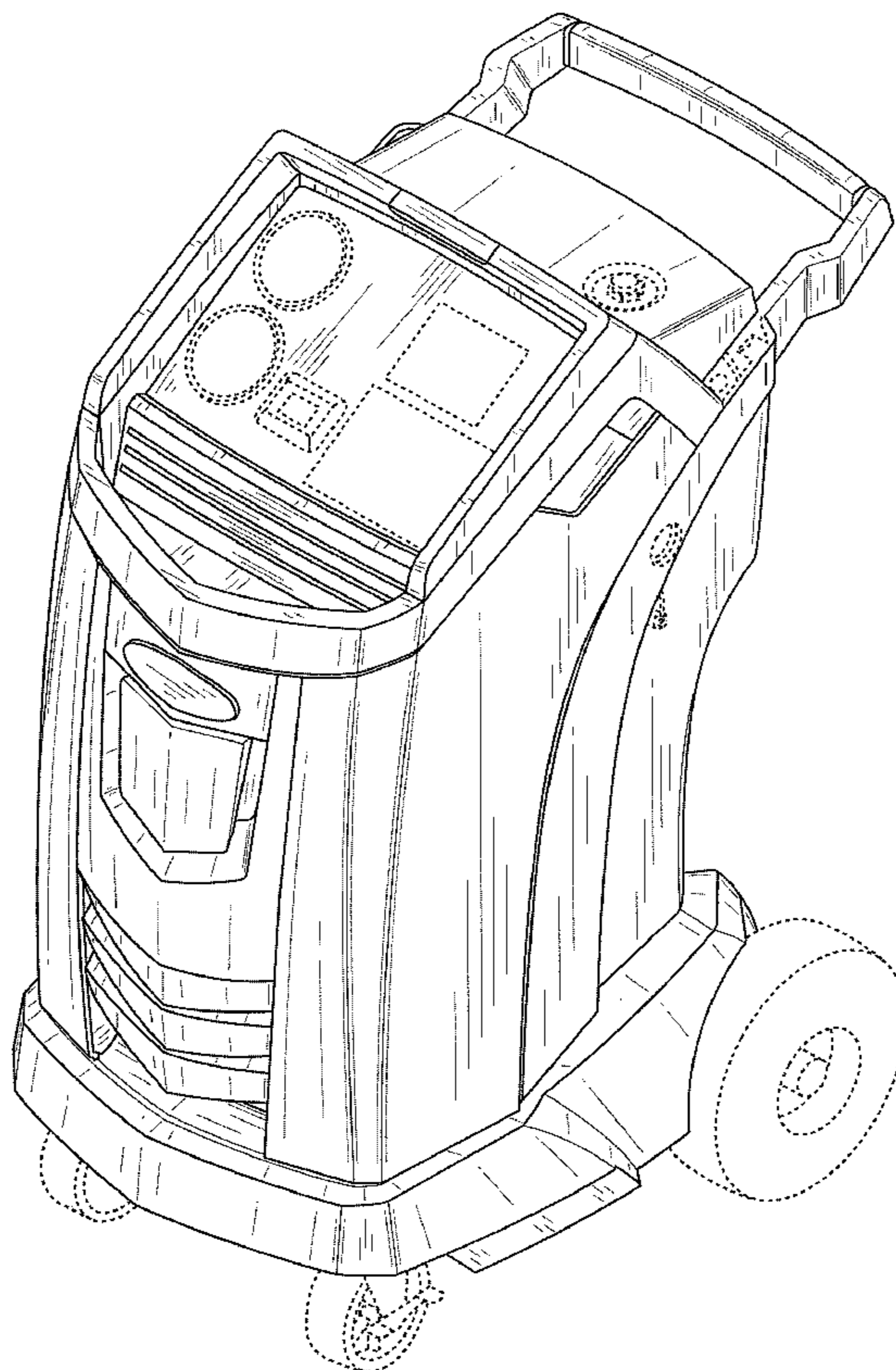
The ornamental design for an air conditioning maintenance cart assembly, as shown and described.

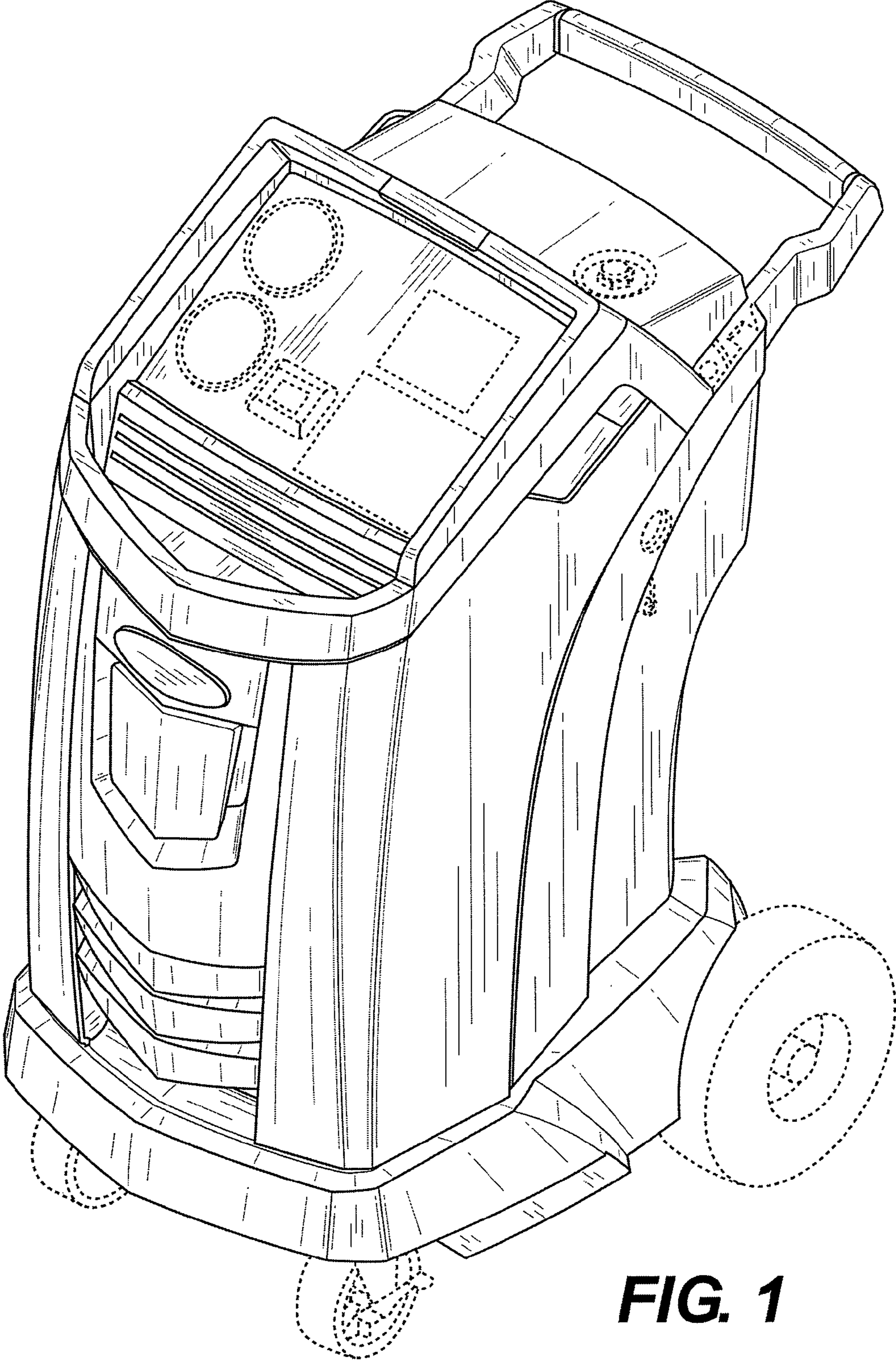
**DESCRIPTION**

FIG. 1 is a perspective view of the front, right side and top of the air conditioning maintenance cart assembly;  
FIG. 2 is a perspective view of the rear, left side and bottom of the cart assembly;  
FIG. 3 is a front view of the cart assembly;  
FIG. 4 is a rear view of the cart assembly;  
FIG. 5 is a right side view of the cart assembly;  
FIG. 6 is a left side view of the cart assembly;  
FIG. 7 is a top view of the cart assembly; and,  
FIG. 8 is a bottom view of the cart assembly.

The broken line showing in the figures is included for the purpose of illustrating environment and forms no part of the claimed design.

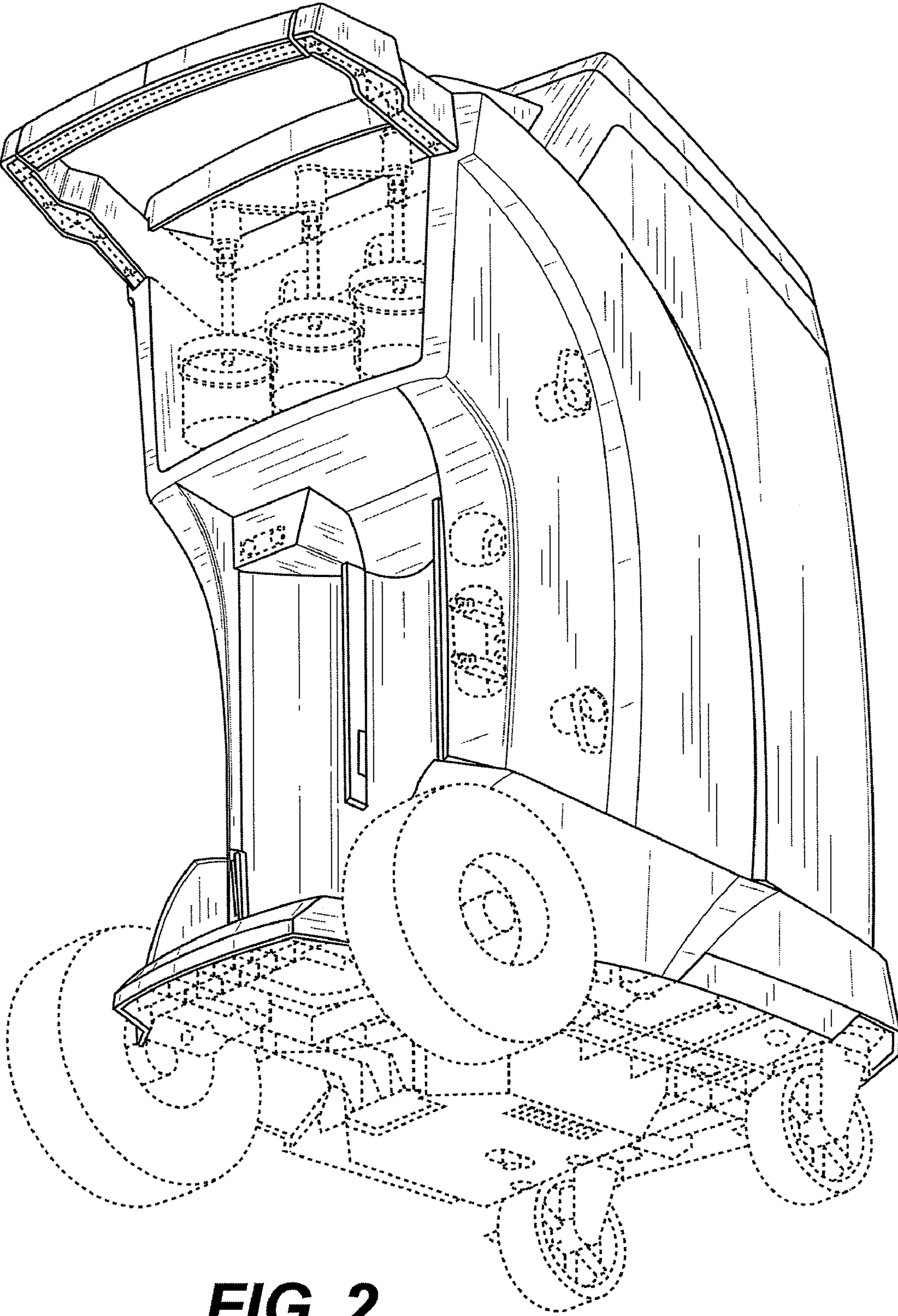
**1 Claim, 8 Drawing Sheets**



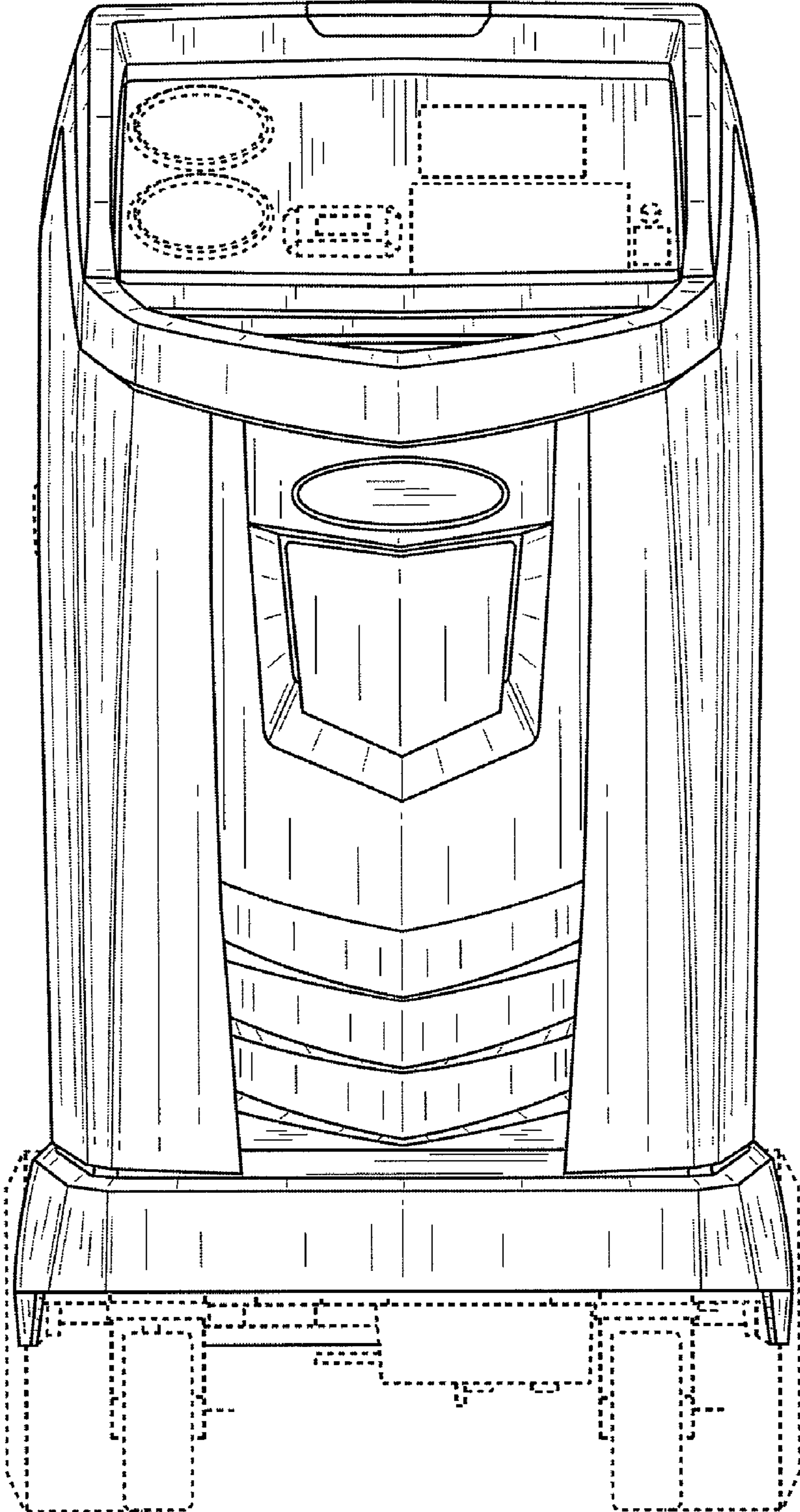


**FIG. 1**

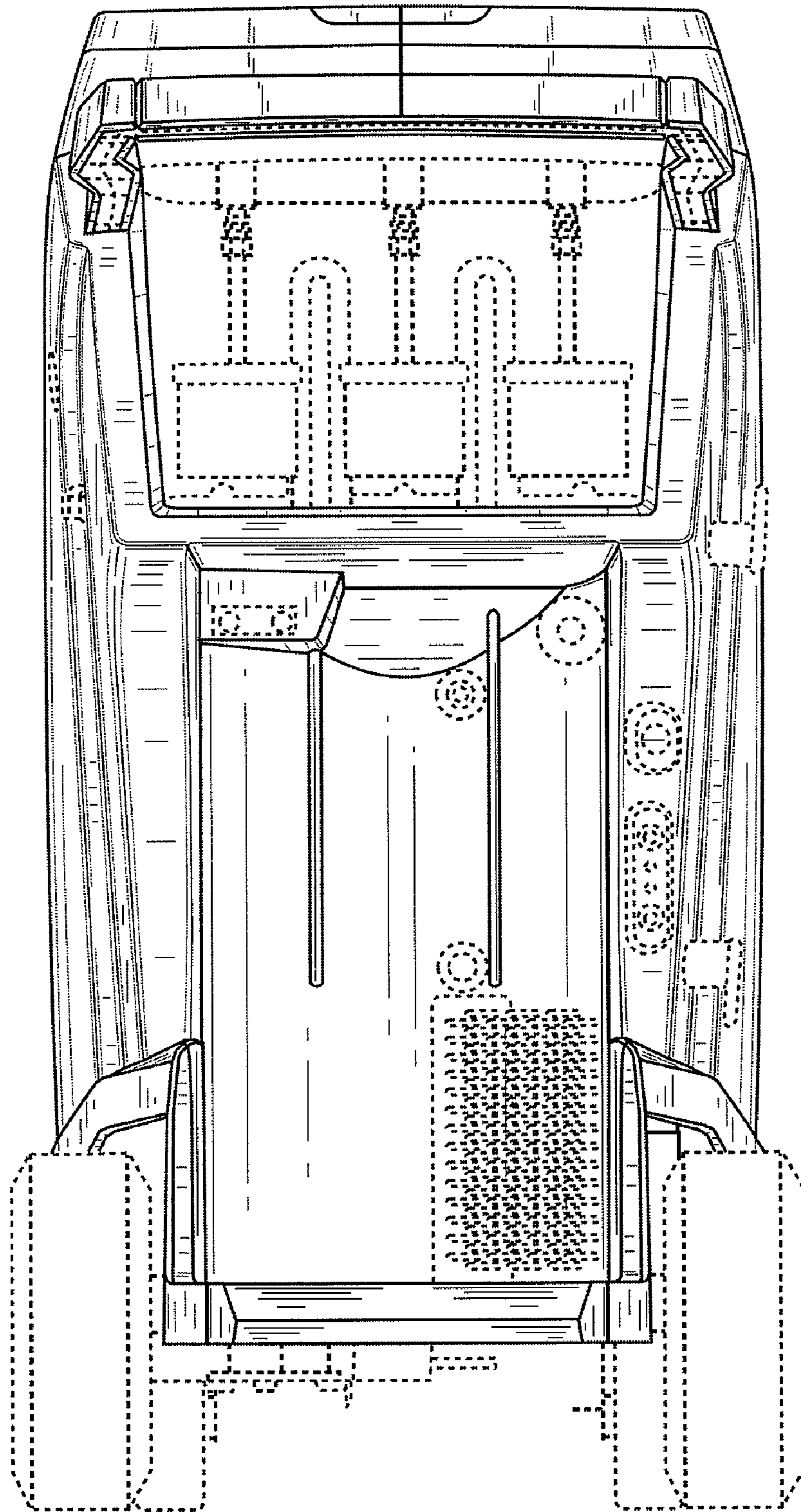




**FIG. 2**

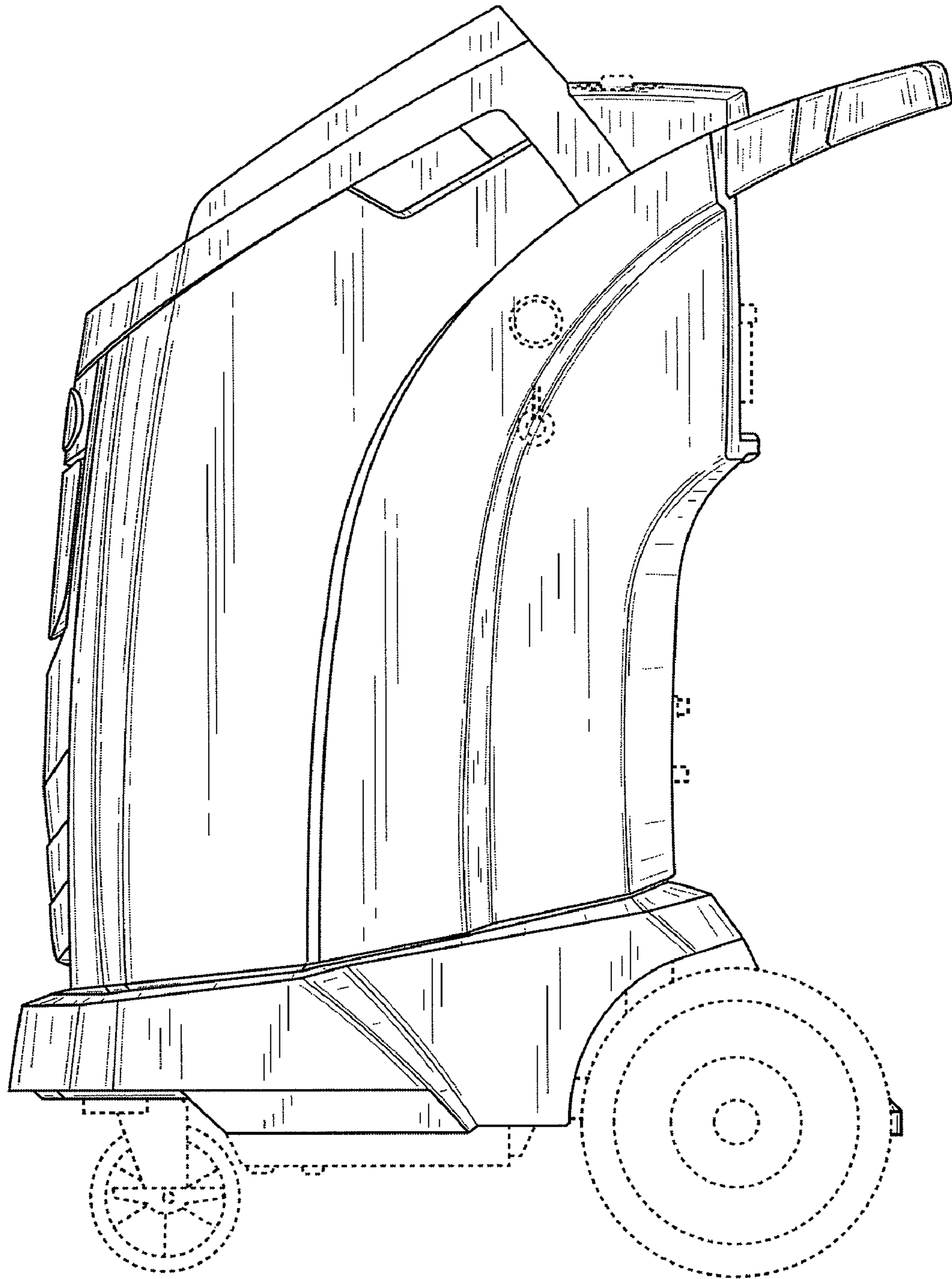


**FIG. 3**

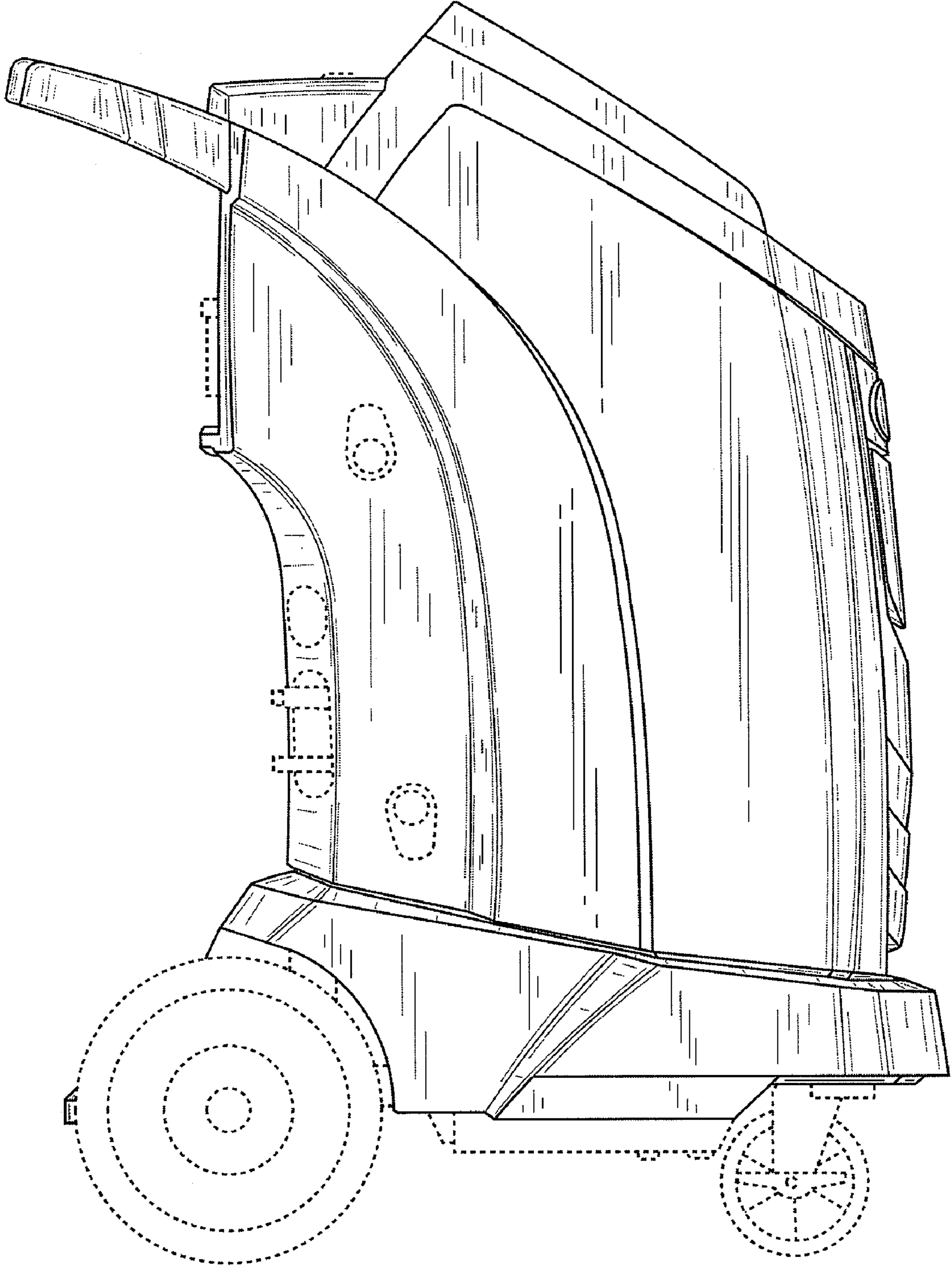


**FIG. 4**

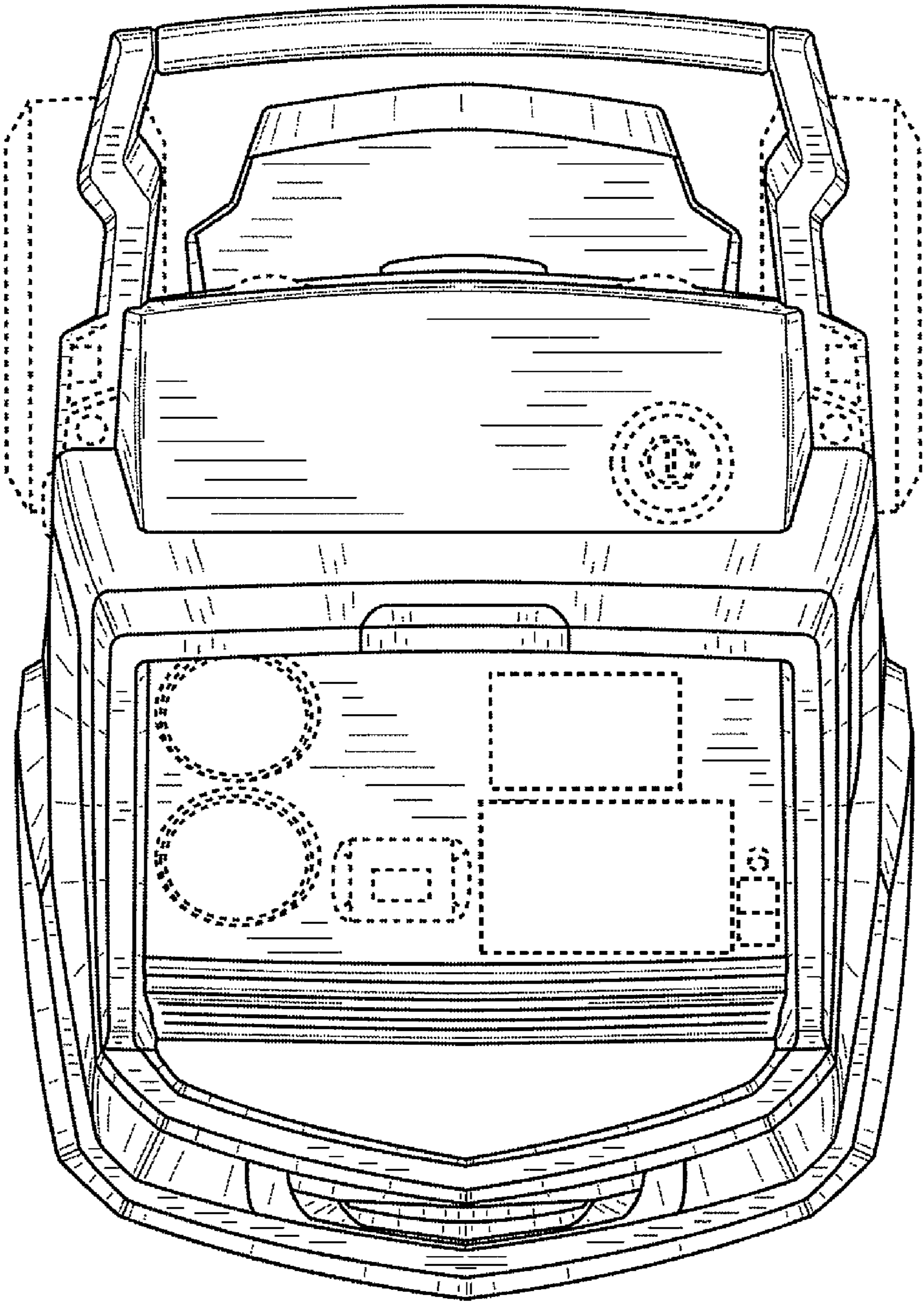




**FIG. 5**

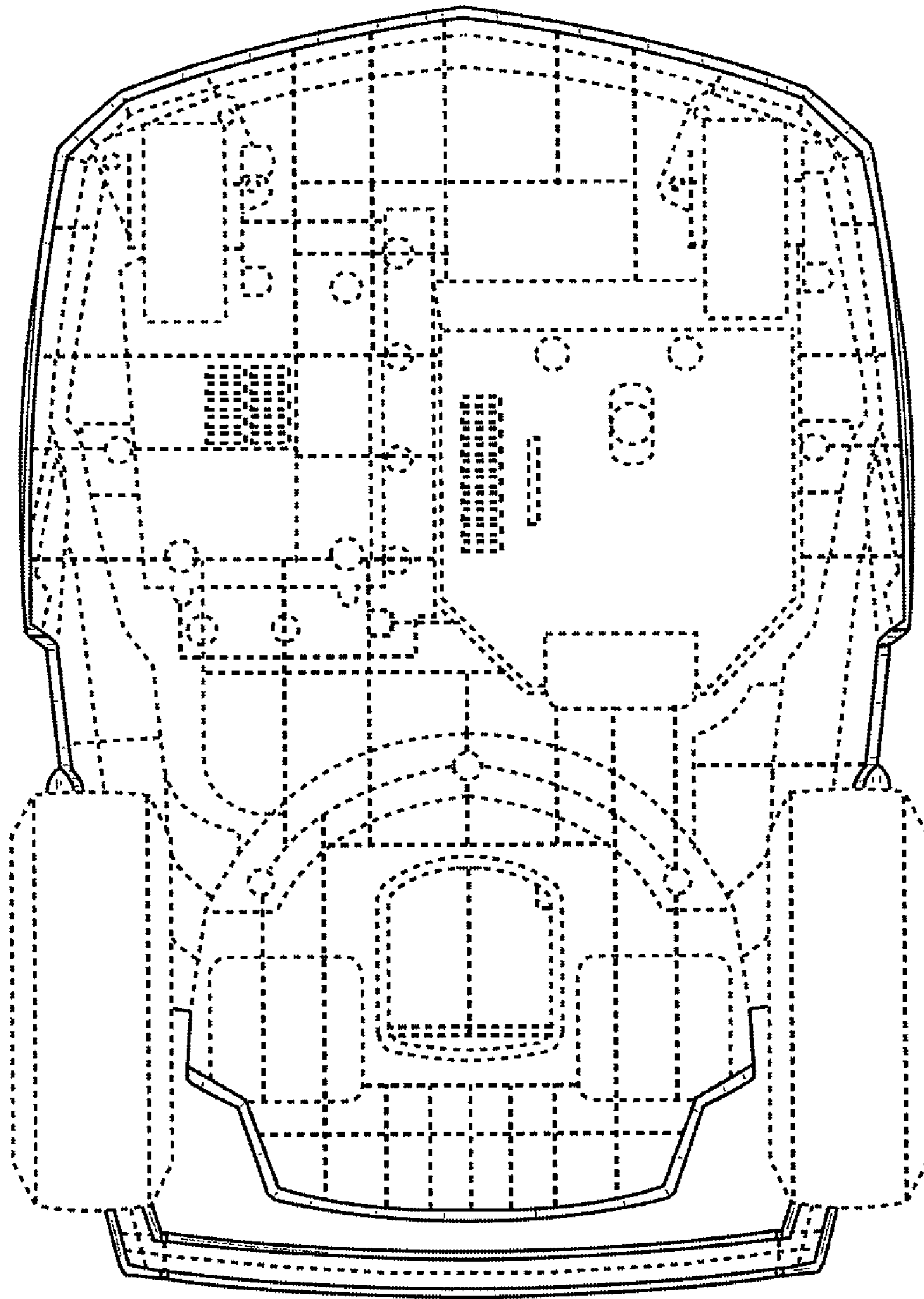


**FIG. 6**



**FIG. 7**





**FIG. 8**