



US00D640436S

(12) **United States Design Patent**
Perelli et al.

(10) **Patent No.:** **US D640,436 S**
(45) **Date of Patent:** **** Jun. 21, 2011**

- (54) **A-FRAME CART**
- (75) Inventors: **Thomas Perelli**, Winchester, VA (US);
Mark Allen Catron, Winchester, VA
(US); **Grant Matthew Mason**, Stephens
City, VA (US)
- (73) Assignee: **Rubbermaid Commercial Products,**
LLC, Winchester, VA (US)

D561,972	S	2/2008	Roever	
7,377,538	B2 *	5/2008	Stuart et al.	280/651
D578,269	S	10/2008	Van LANDINGHAM, Jr.	
D594,170	S	6/2009	Catron	
D608,071	S *	1/2010	Presnell	D34/21
D608,969	S *	1/2010	Wise	D34/12
D618,420	S *	6/2010	Perelli et al.	D34/17
2004/0212162	A1	10/2004	Calmeise et al.	
2004/0227315	A1	11/2004	Van LANDINGHAM, Jr.	

- (**) Term: **14 Years**
- (21) Appl. No.: **29/340,753**

FOREIGN PATENT DOCUMENTS

CA	133846	8/2010
----	--------	--------

OTHER PUBLICATIONS

- (22) Filed: **Jul. 24, 2009**
- (51) **LOC (9) Cl.** **12-02**
- (52) **U.S. Cl.** **D34/17**
- (58) **Field of Classification Search** D34/12-27;
280/651, 641, 79.11, 79.3, 42, 47.18, 47.2,
280/47.27

Chilean Office Action, Feb. 14, 2011.
* cited by examiner

See application file for complete search history.

Primary Examiner — Cynthia Ramirez
(74) *Attorney, Agent, or Firm* — Dennis J. Williamson;
Moore & Van Allen, PLLC

(56) **References Cited**

(57) **CLAIM**
We claim the ornamental design for an A-frame cart, as shown
and described.

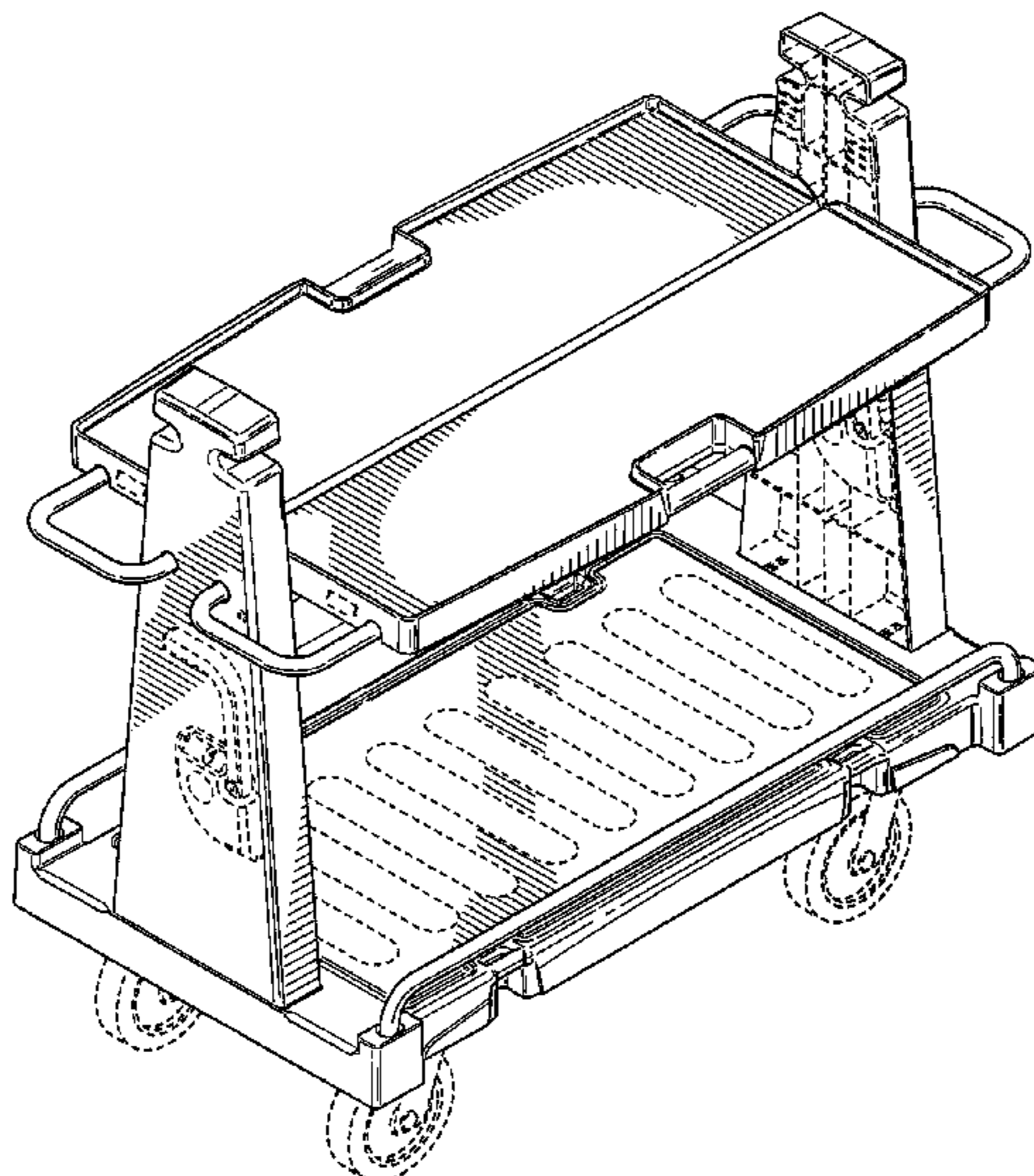
U.S. PATENT DOCUMENTS

2,886,186	A	5/1959	Hamilton	
D199,670	S	12/1964	Inglis	
4,740,010	A *	4/1988	Moskovitz	280/641
4,763,799	A *	8/1988	Cohn et al.	211/187
D313,878	S *	1/1991	Rinkewich	D34/21
4,998,023	A	3/1991	Kitts	
D345,839	S *	4/1994	Senese	D34/14
D361,187	S *	8/1995	Snell	D34/21
D361,188	S *	8/1995	Perelli	D34/21
D363,590	S *	10/1995	Kazmerchek et al.	D34/21
D366,749	S *	1/1996	Carlson et al.	D34/27
D381,168	S	7/1997	Delmerico	
D391,032	S	2/1998	Delmerico	
D400,334	S	10/1998	Hawkins	
6,474,665	B1 *	11/2002	Fink et al.	280/79.2
D485,410	S	1/2004	Van LANDINGHAM, Jr.	
D487,604	S	3/2004	Van LANDINGHAM, Jr.	
D554,323	S	10/2007	Roth	
D559,496	S	1/2008	Zorzo	

DESCRIPTION

FIG. 1 is a perspective view showing an embodiment of our new design for an A-frame cart;
FIG. 2 is a left side view showing our new design shown in FIG. 1;
FIG. 3 is a right side view showing our new design shown in FIG. 1;
FIG. 4 is a top view showing our new design shown in FIG. 1;
FIG. 5 is a bottom view showing our new design shown in FIG. 1; and,
FIG. 6 is a front view showing our new design shown in FIG. 1, the back view being identical.
The portions shown in broken lines are not part of the claimed design but show the environment in which the design is associated.

1 Claim, 6 Drawing Sheets



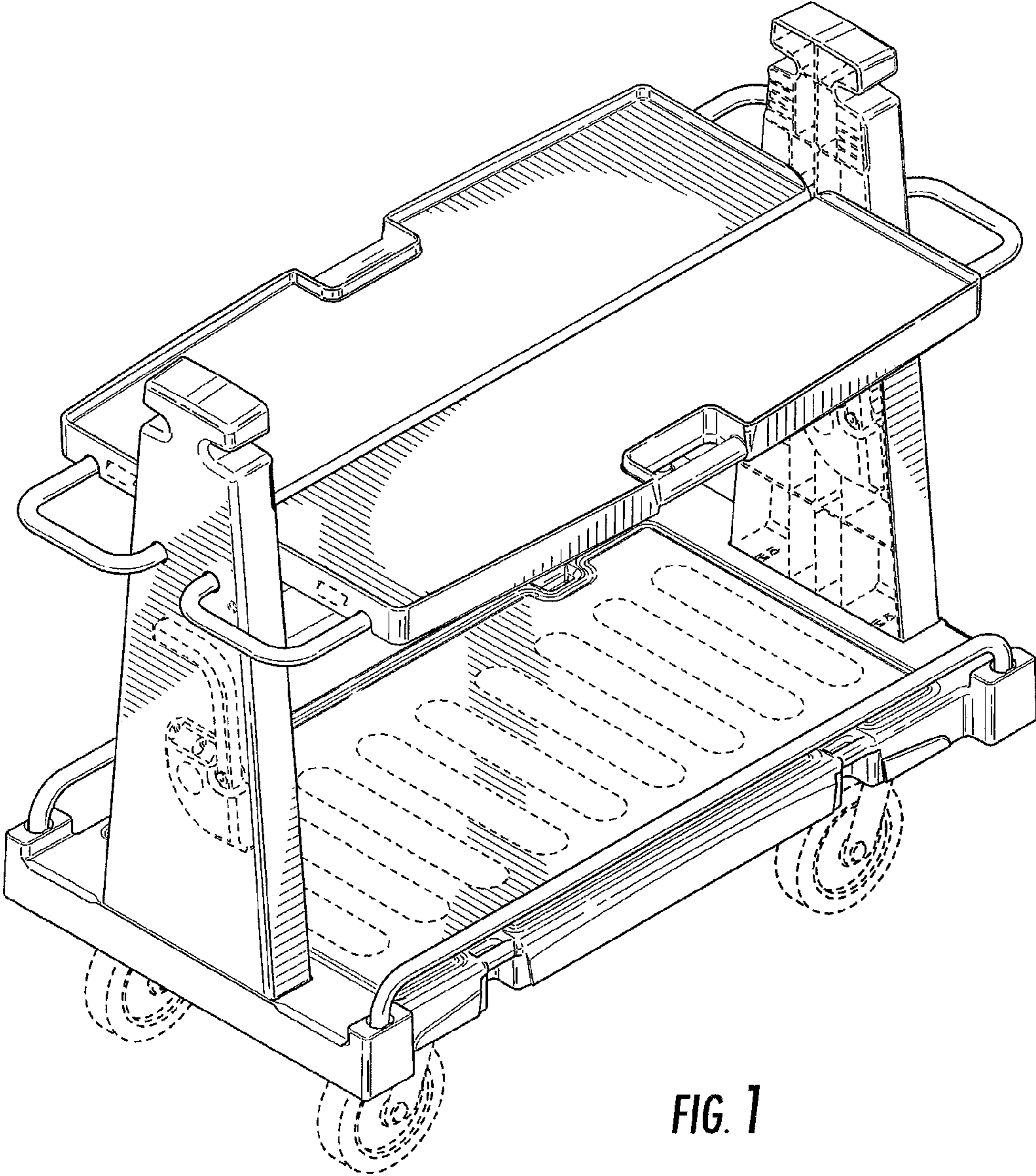


FIG. 1

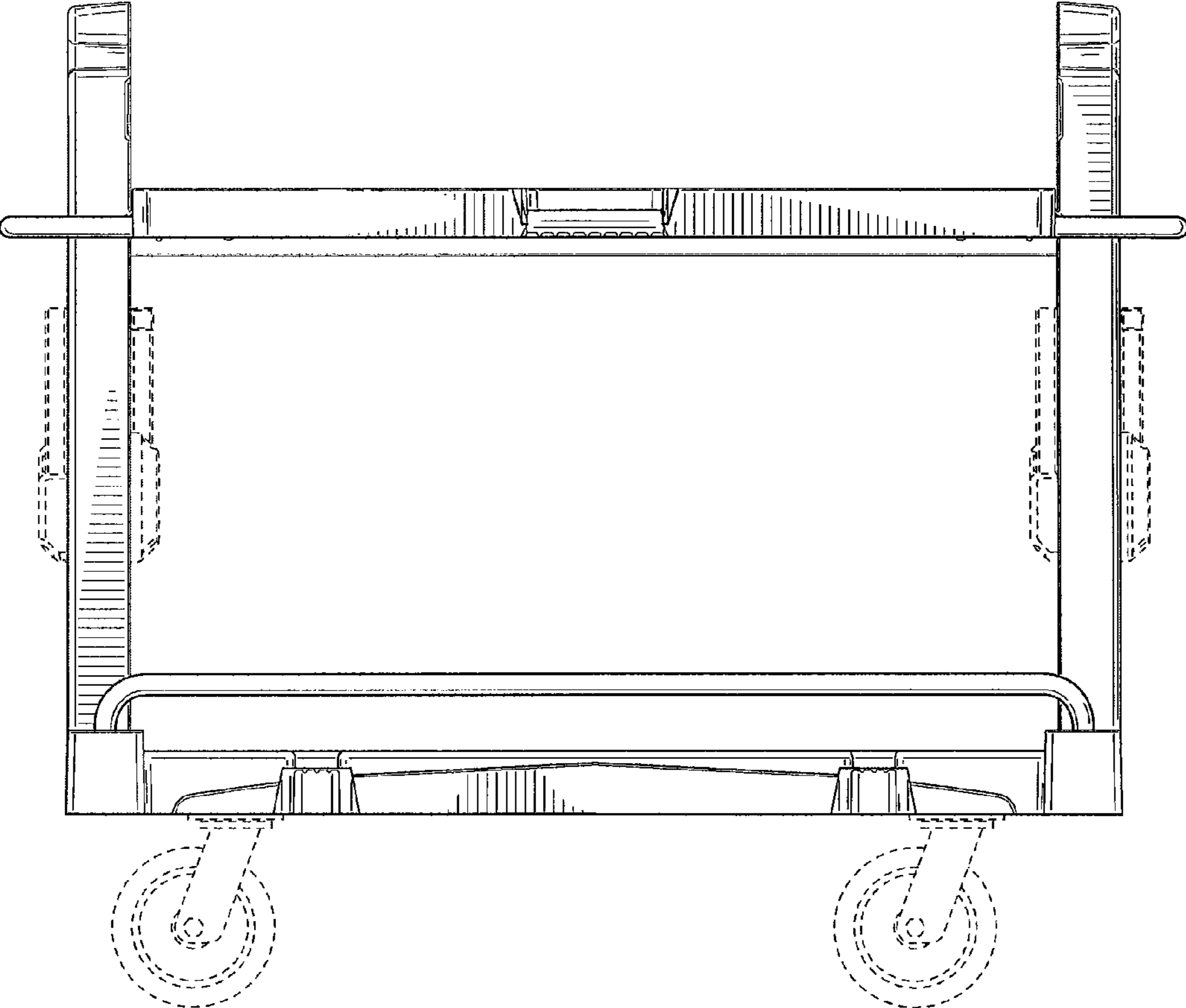


FIG. 2

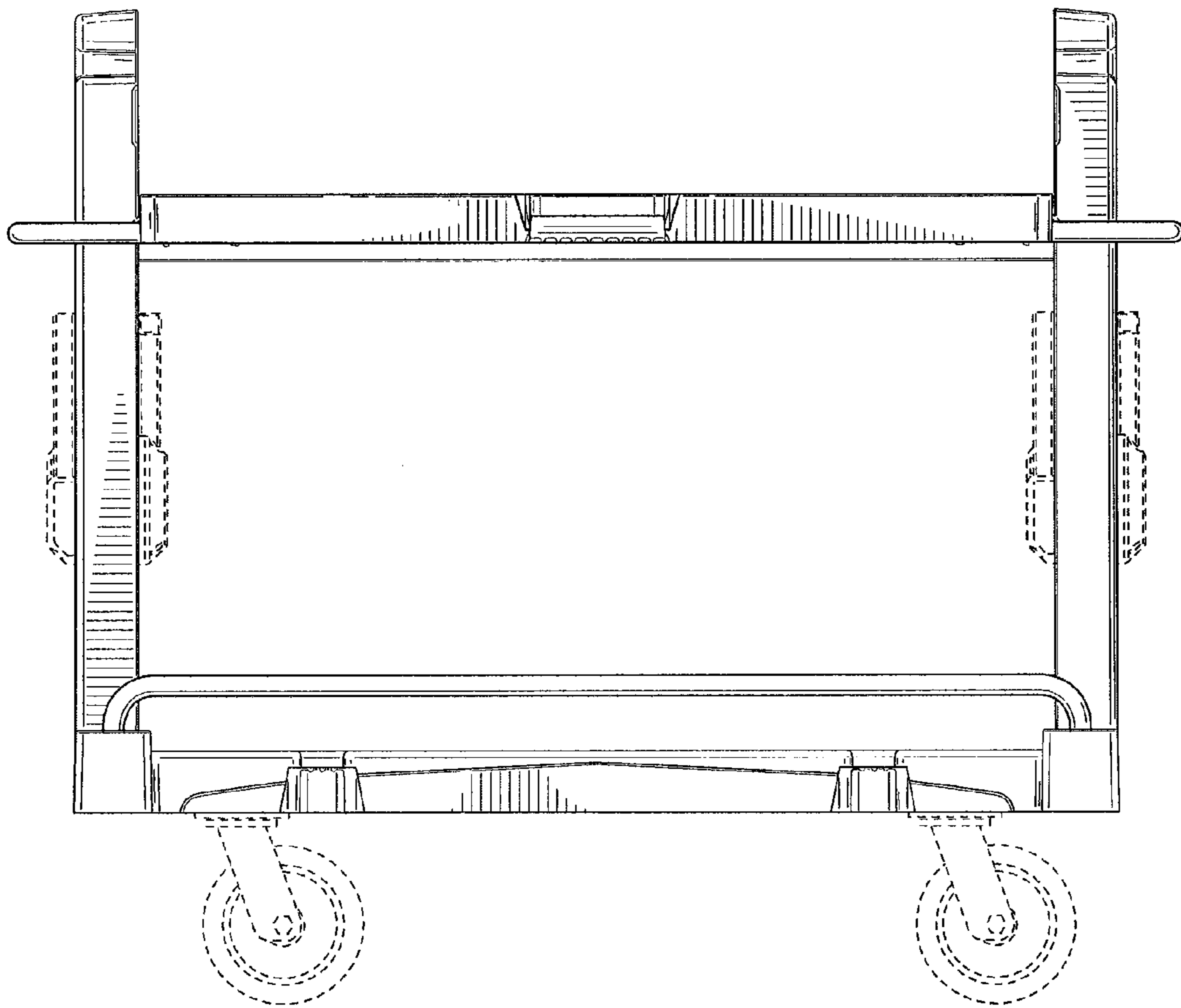


FIG. 3

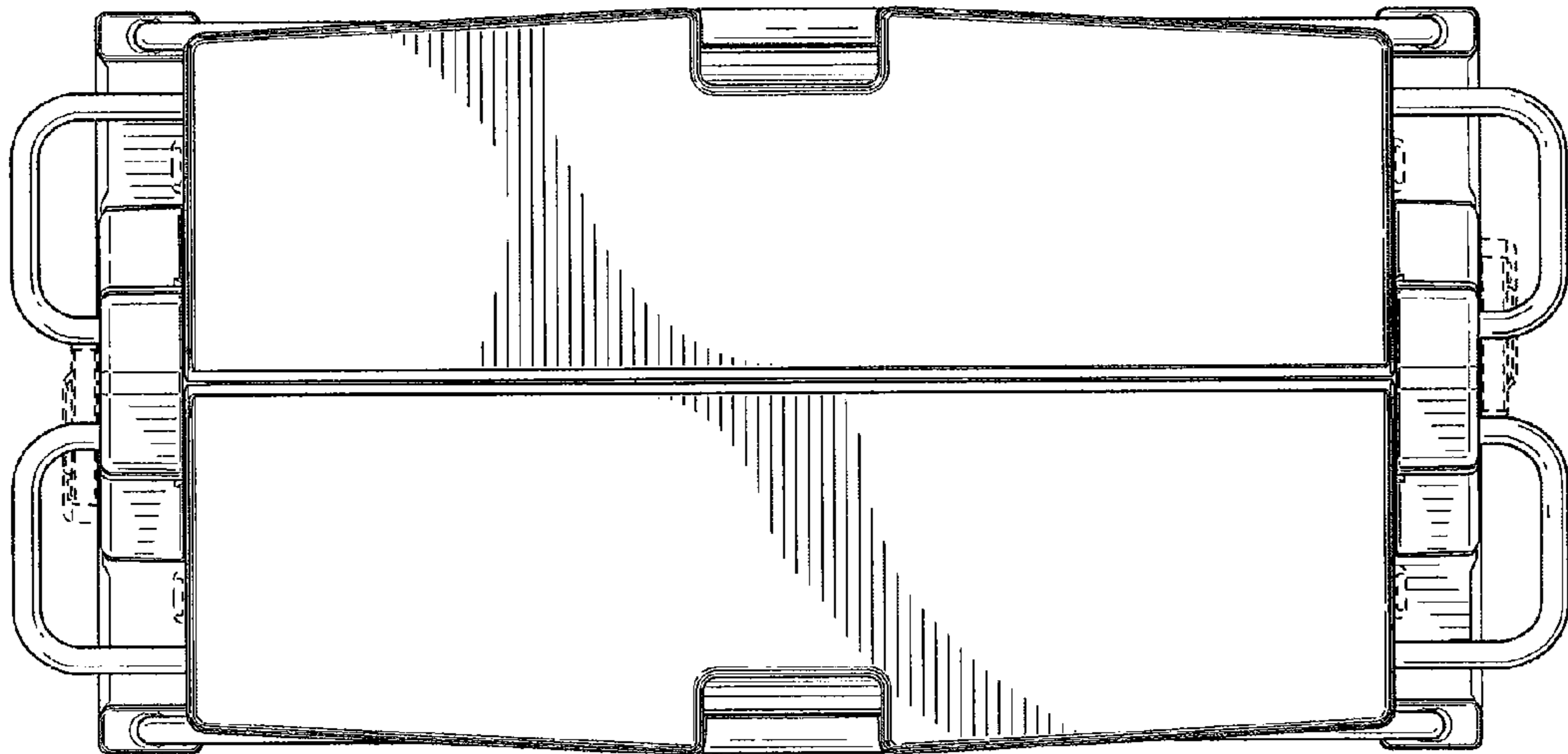


FIG. 4

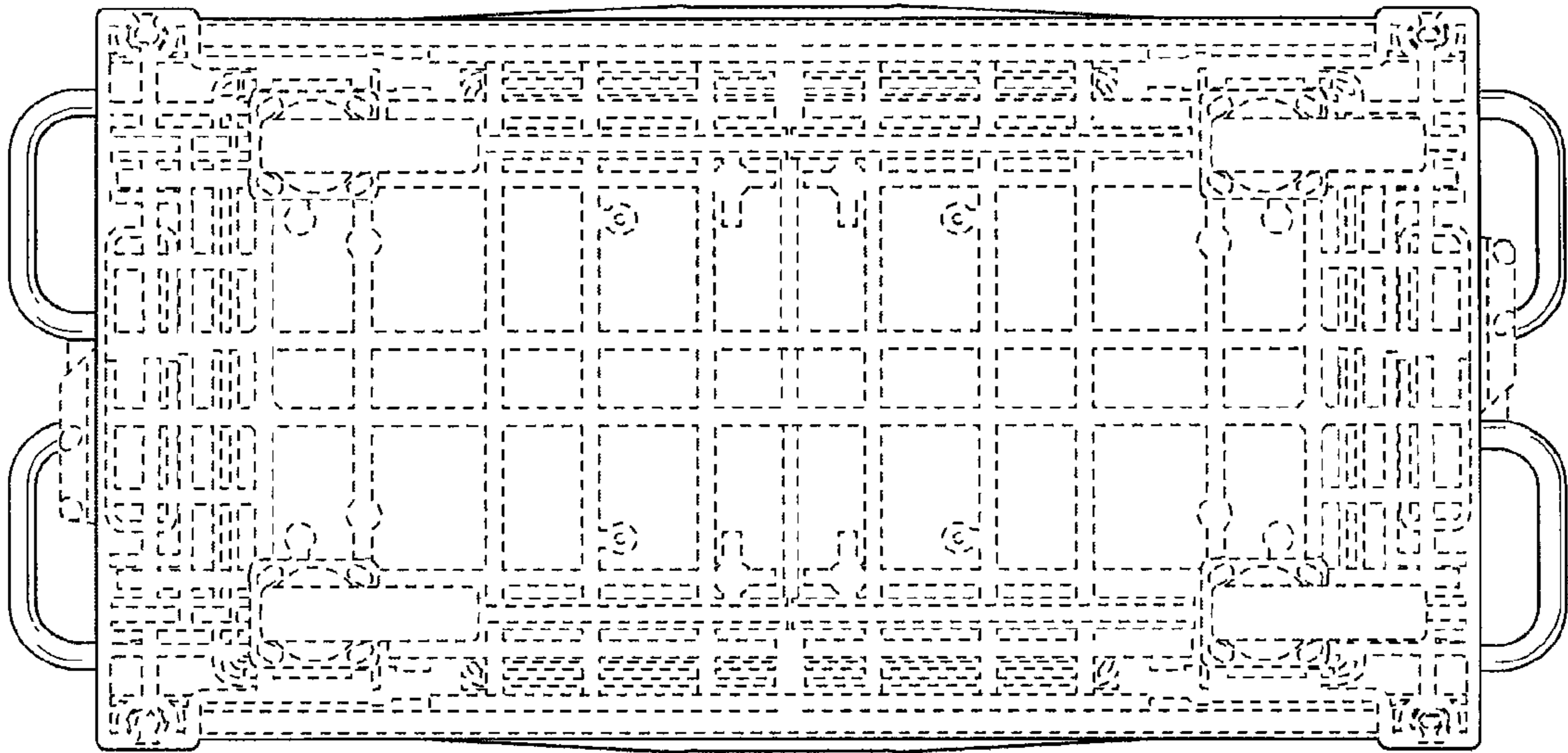


FIG. 5

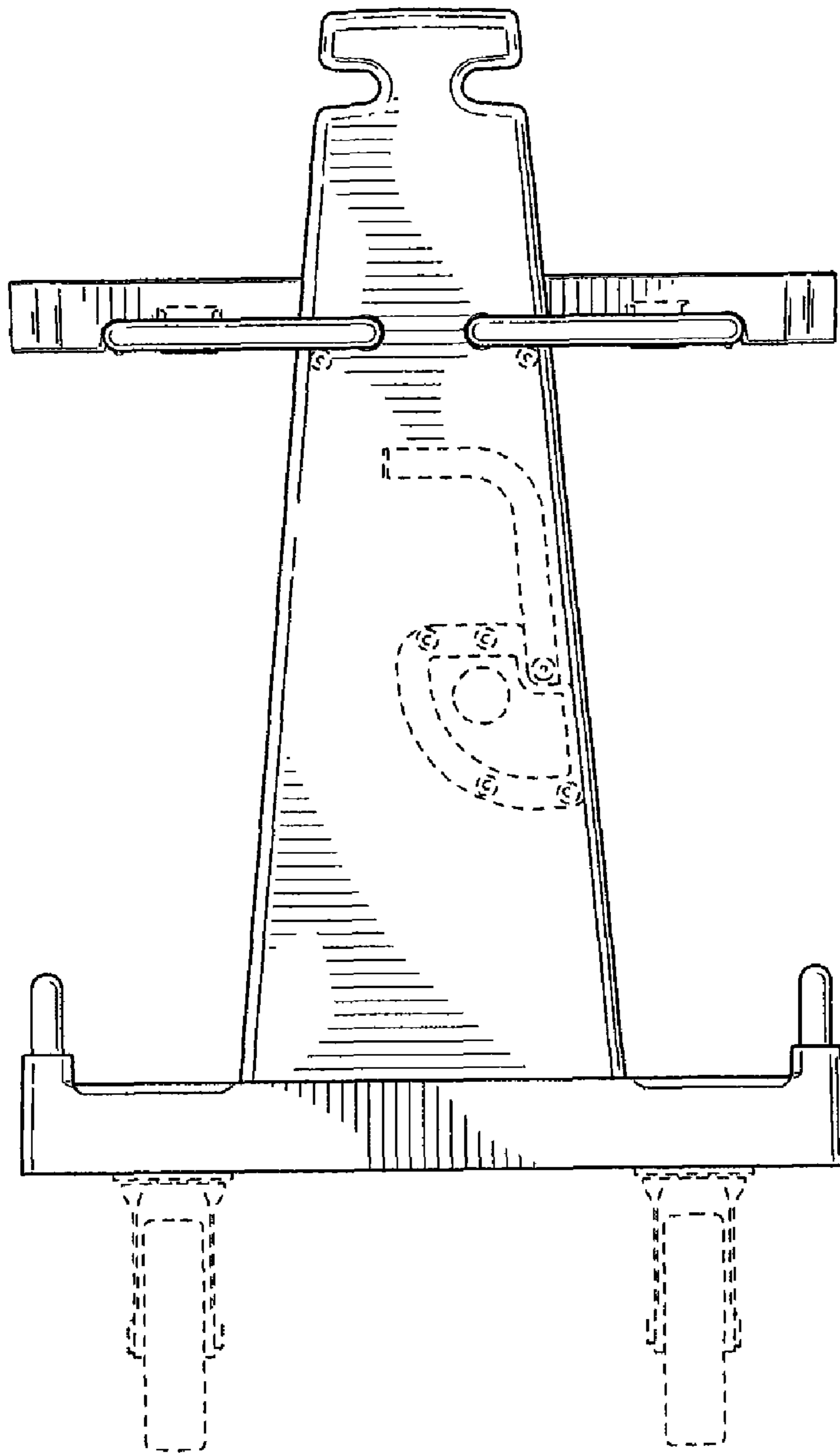


FIG. 6