

US00D640435S

(12) **United States Design Patent**
Jensen

(10) **Patent No.:** **US D640,435 S**
(45) **Date of Patent:** **** Jun. 21, 2011**

(54) **COMBINED WASTEBASKET AND CLOTHES HAMPER**

(76) Inventor: **Douglas Jensen**, Calabasas, CA (US)

(**) Term: **14 Years**

(21) Appl. No.: **29/367,228**

(22) Filed: **Aug. 4, 2010**

(51) **LOC (9) Cl.** **09-09**

(52) **U.S. Cl.** **D34/4; D32/37**

(58) **Field of Classification Search** D34/1,
D34/4, 5, 6, 7, 8, 9, 10, 11; 220/908, 908.1,
220/909, 911; D32/37, 36; D99/37; D11/149;
D19/82; 273/1.5 R, 1.5 A, 400, 403; D21/703
See application file for complete search history.

D383,348 S	9/1997	Frankel	
D395,132 S	6/1998	Drew	
D409,135 S	5/1999	Davis	
D429,896 S	8/2000	Clarke	
D456,739 S	5/2002	Hopkins	
D461,430 S	8/2002	Hopkins	
D475,494 S *	6/2003	Kotsias D34/4
D529,250 S	9/2006	Sofy et al.	
D535,795 S	1/2007	Sofy et al.	
D536,149 S	1/2007	Sofy et al.	
2004/0038760 A1	2/2004	Diaz et al.	

* cited by examiner

Primary Examiner — Cynthia E Ramirez
(74) *Attorney, Agent, or Firm* — Kelly Lowry & Kelley, LLP

(57) **CLAIM**
The ornamental design for a combined wastebasket and clothes hamper, as shown and described.

DESCRIPTION

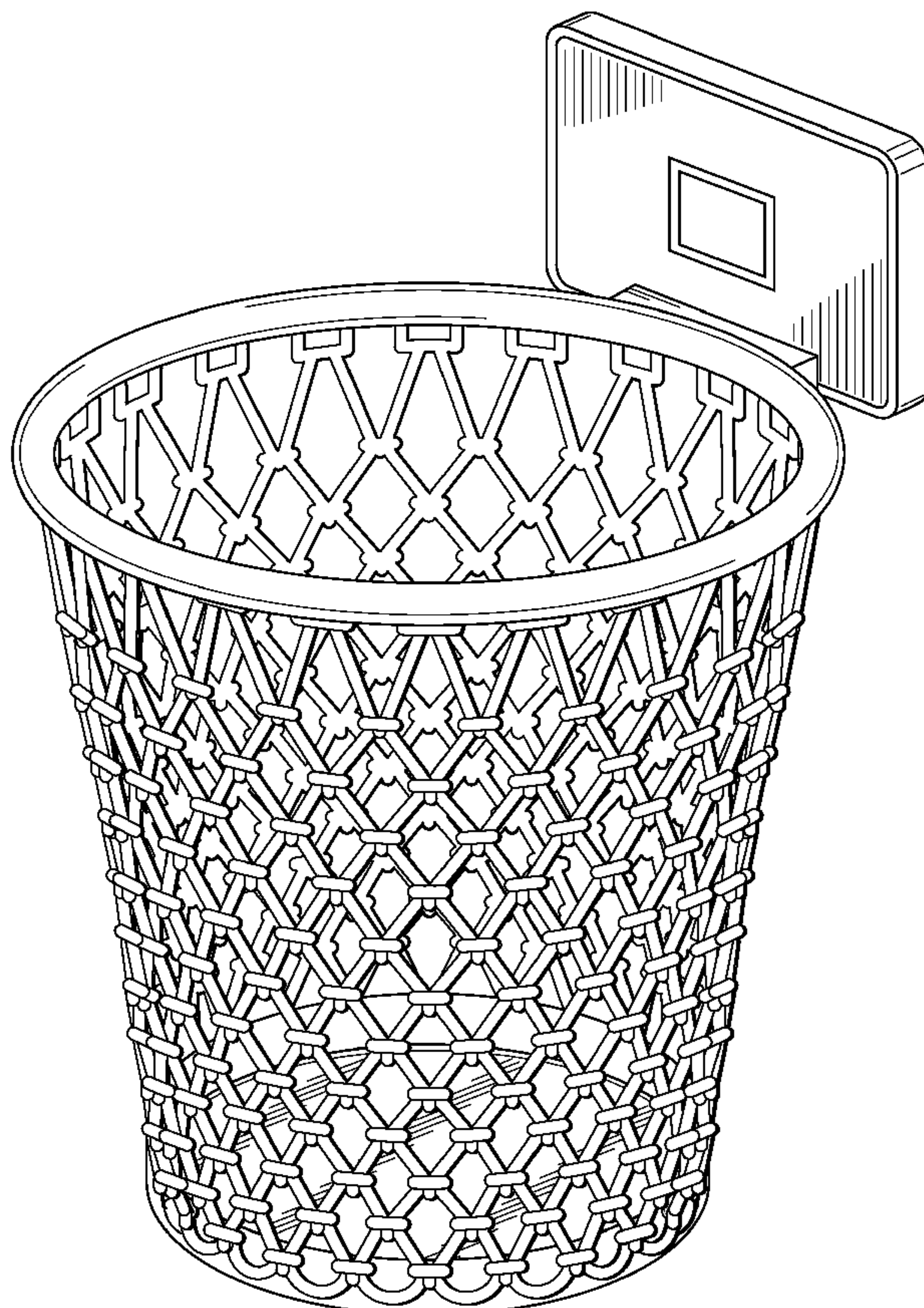
FIG. 1 is a top, front and left side perspective view of a combined wastebasket and clothes hamper embodying my new design;
FIG. 2 is a front elevational view thereof;
FIG. 3 is a rear elevational view thereof;
FIG. 4 is a left-side elevational view thereof;
FIG. 5 is a right-side elevational view thereof;
FIG. 6 is a top plan view thereof; and,
FIG. 7 is a bottom plan view thereof.

(56) **References Cited**

U.S. PATENT DOCUMENTS

D305,817 S *	1/1990	Elliott D32/37
D308,432 S	6/1990	White et al.	
D309,808 S	8/1990	Phelps et al.	
5,096,191 A	3/1992	Fang	
D327,981 S	7/1992	Speers	
D333,373 S	2/1993	Pacelli	
D339,890 S *	9/1993	Montgomery D34/1
D360,667 S	7/1995	Liu	
D379,872 S	6/1997	Sanchez et al.	

1 Claim, 7 Drawing Sheets



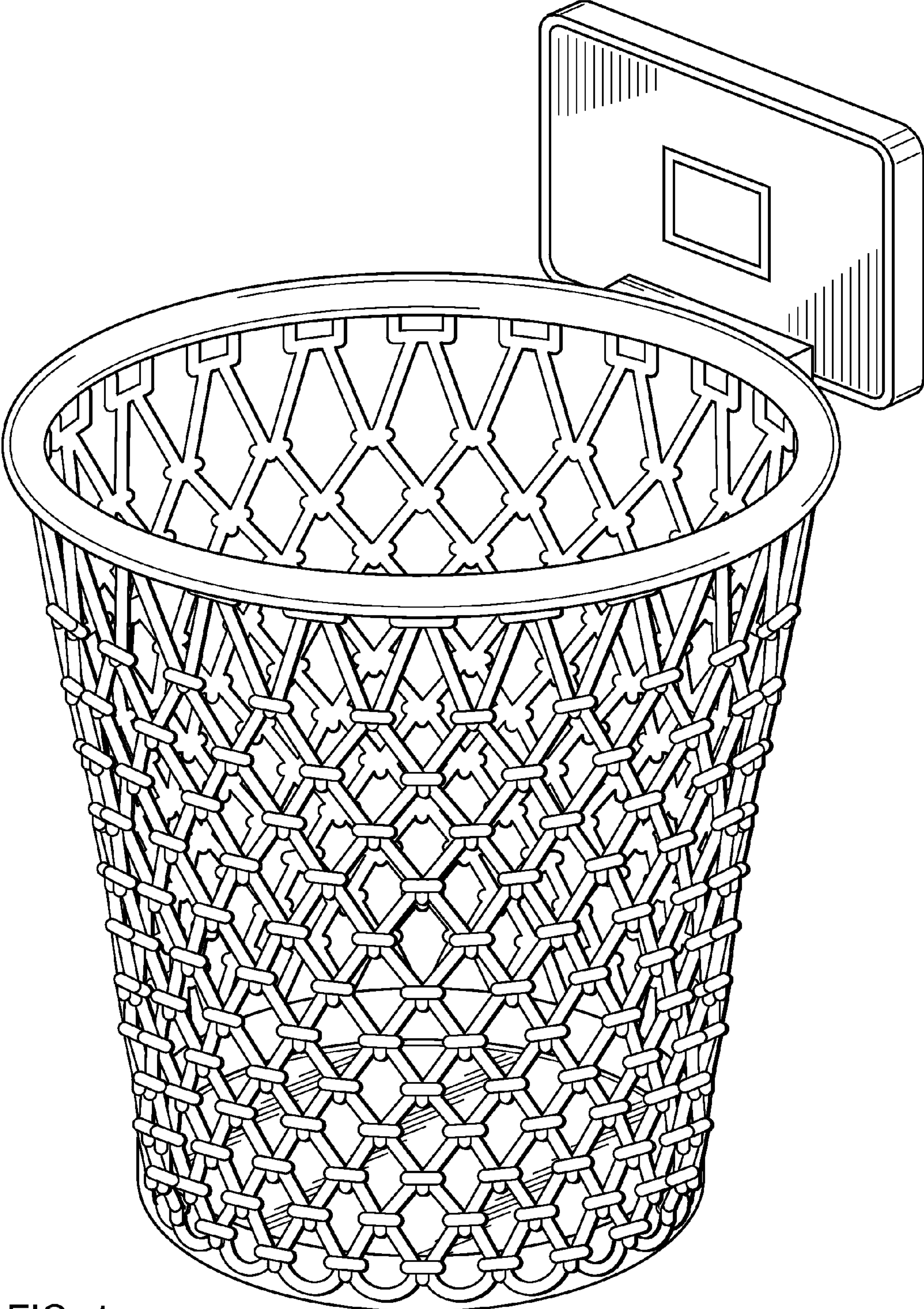


FIG. 1

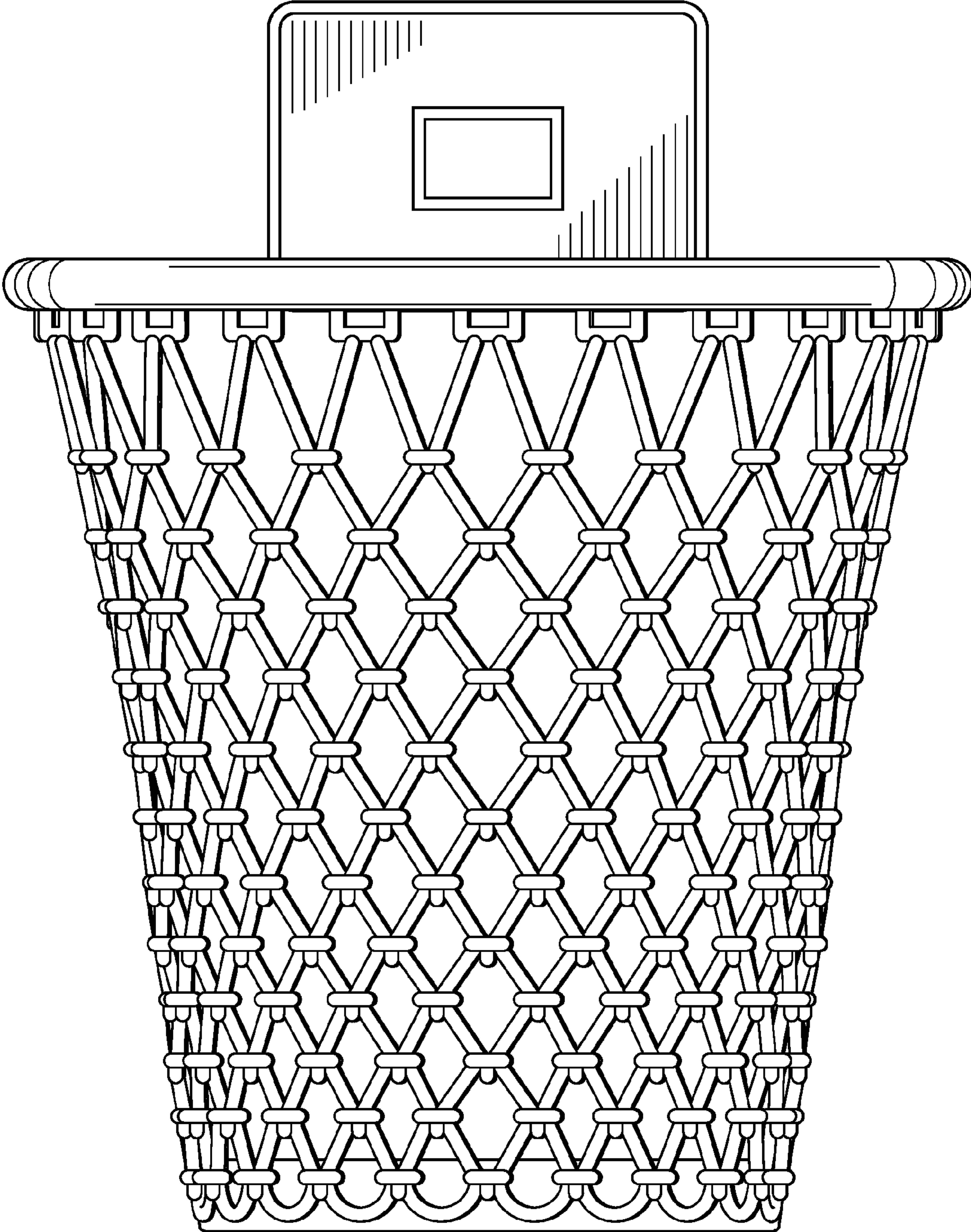


FIG. 2

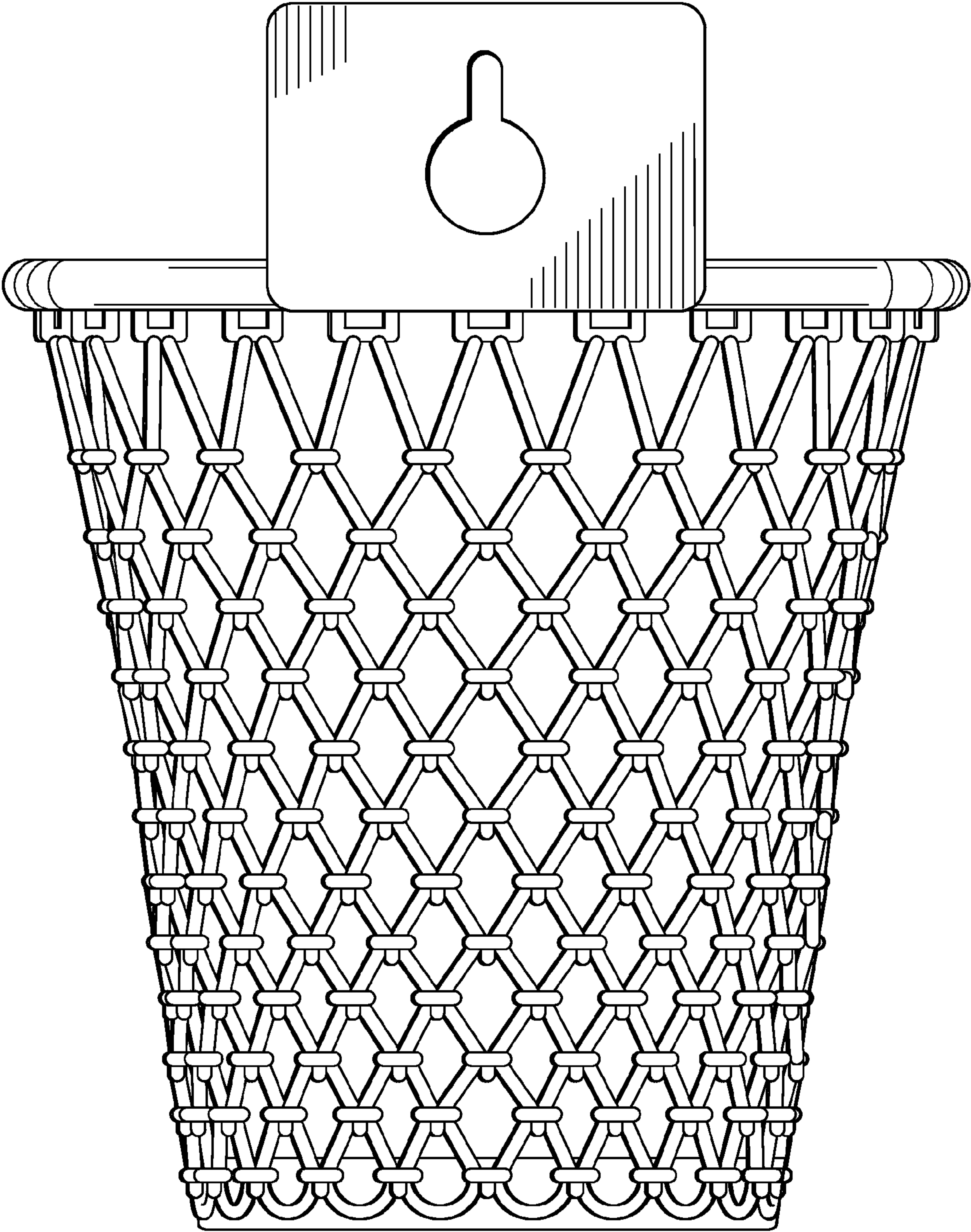


FIG. 3

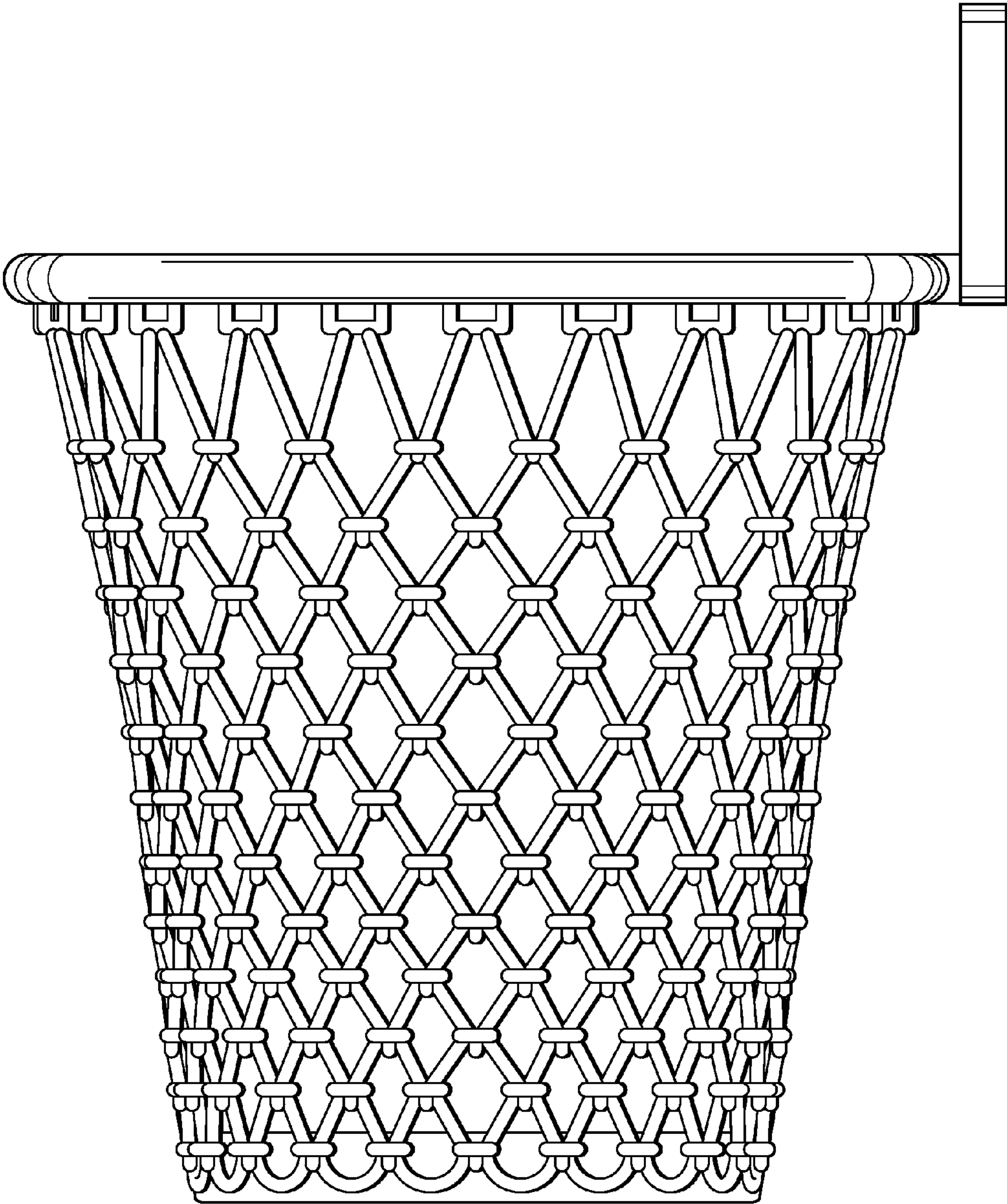


FIG. 4

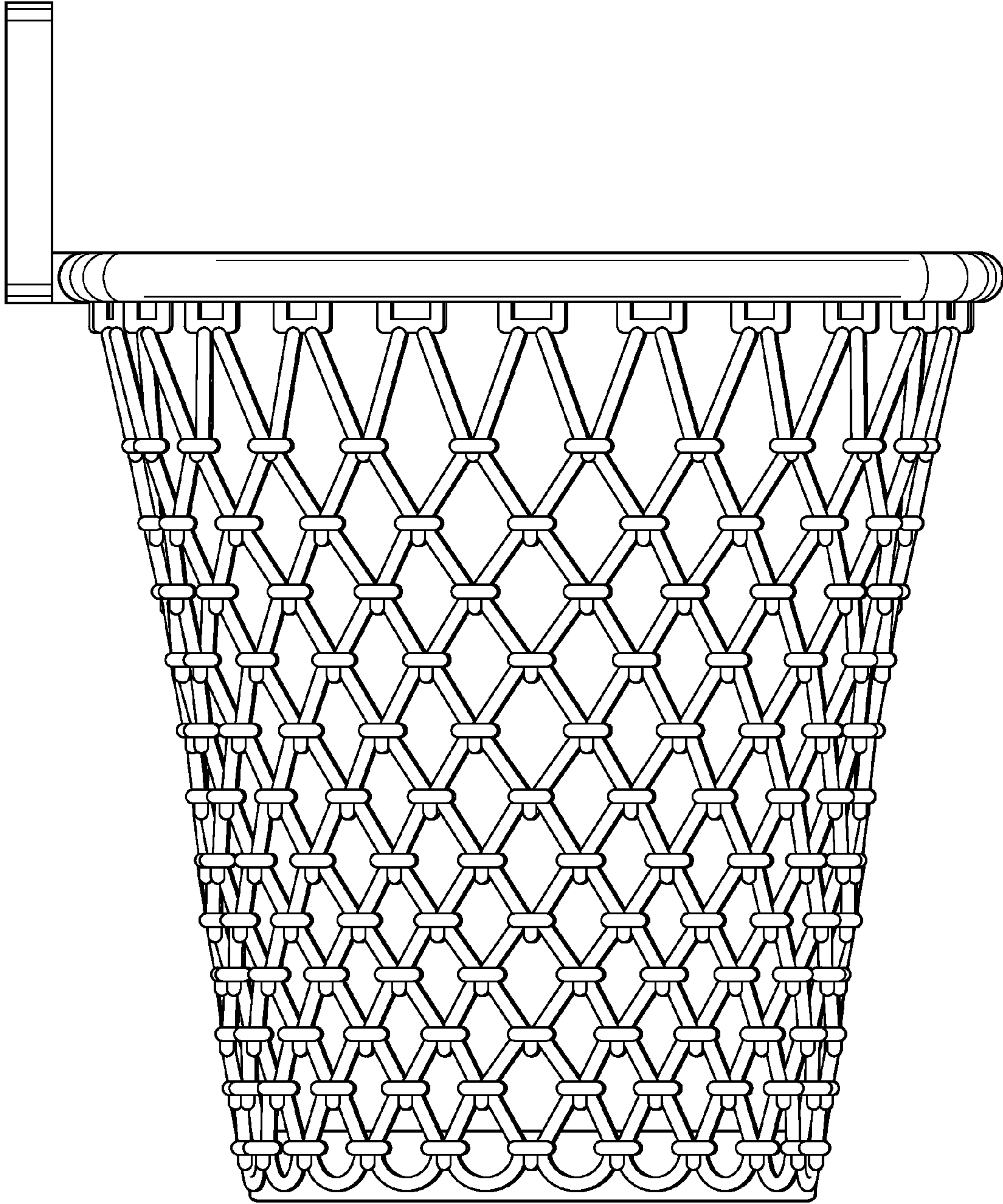


FIG. 5

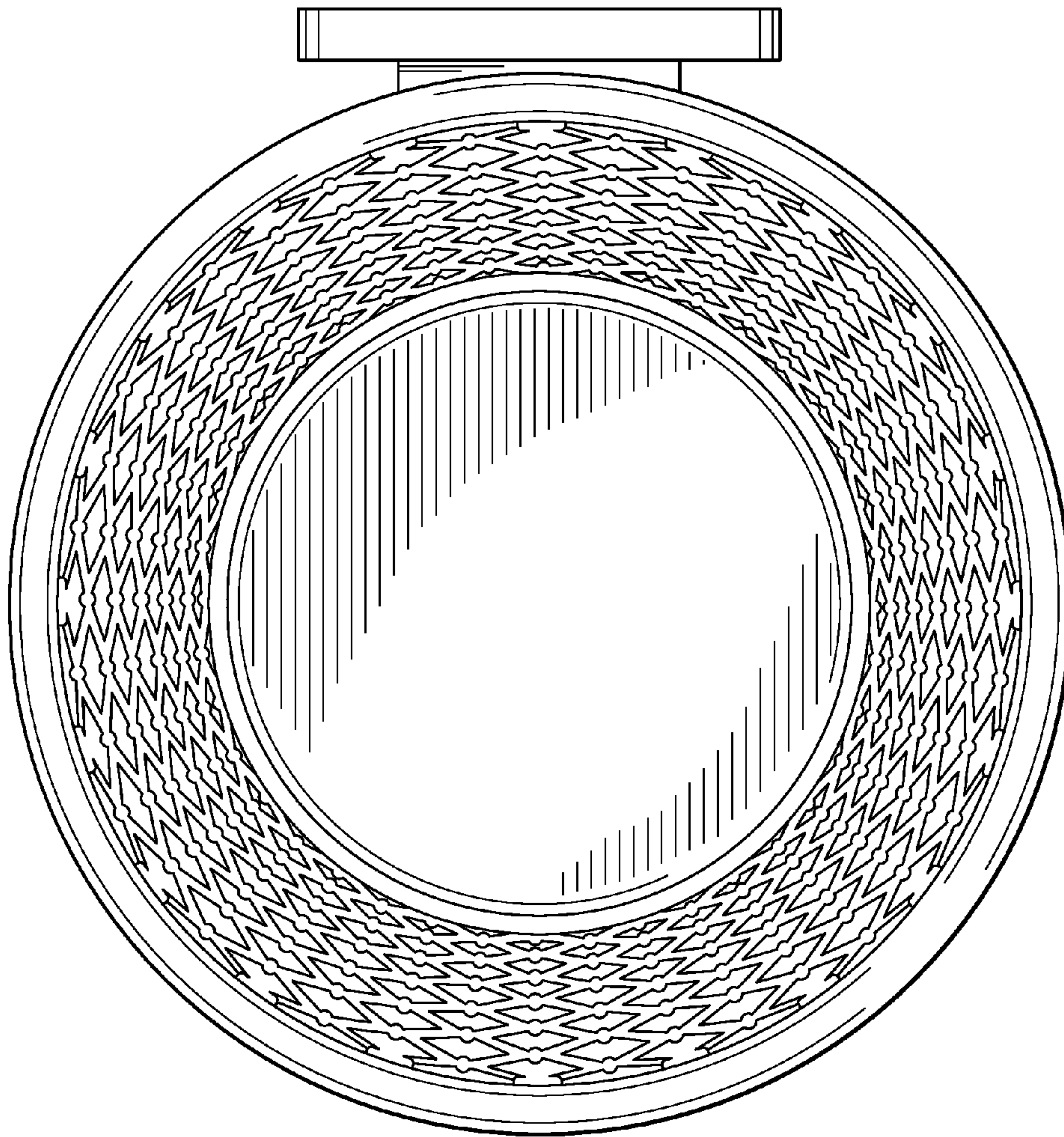


FIG. 6

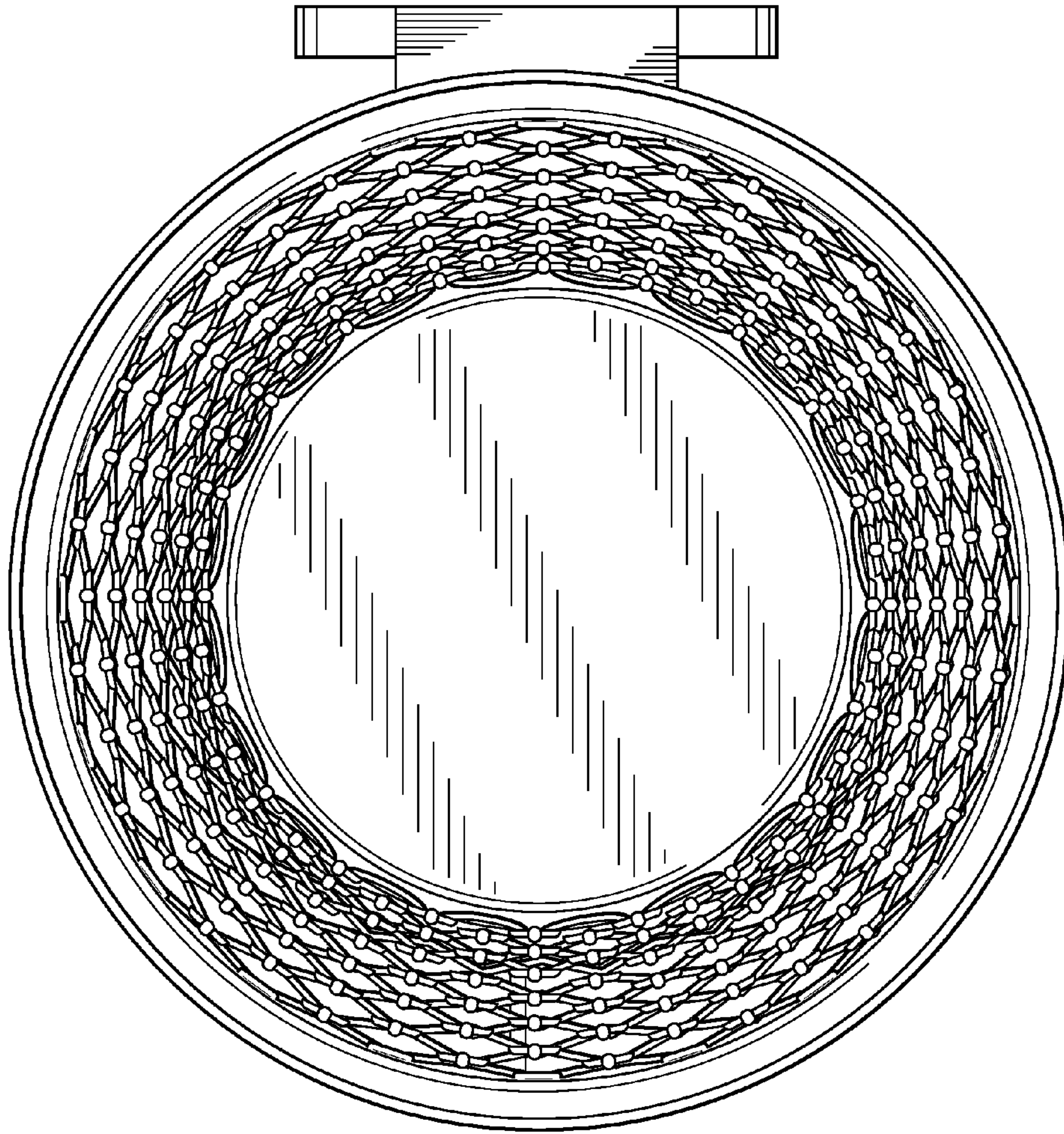


FIG. 7