



US00D640432S

(12) **United States Design Patent**
Jackson

(10) **Patent No.:** **US D640,432 S**

(45) **Date of Patent:** **** Jun. 21, 2011**

(54) **SQUEEGEE WITH SPRAY BOTTLE ATTACHED**

(76) **Inventor:** **Edward A. Jackson**, Ruskin, FL (US)

(**) **Term:** **14 Years**

(21) **Appl. No.:** **29/381,419**

(22) **Filed:** **Dec. 20, 2010**

(51) **LOC (9) Cl.** **04-01**

(52) **U.S. Cl.** **D32/42; D9/718; D32/41**

(58) **Field of Classification Search** **D32/40-46;**
15/244.1-244.4, 209.1, 245, 245.1, 228;
D9/718; 401/25, 138-140

See application file for complete search history.

(56) **References Cited**

U.S. PATENT DOCUMENTS

2,436,454	A *	2/1948	Sensenbach et al.	401/139
3,837,747	A	9/1974	Seymore	
D254,708	S	4/1980	Mack	
4,273,459	A	6/1981	Hardy	
D305,868	S	2/1990	Westall	
D318,158	S *	7/1991	Ediger et al.	D32/42
5,054,945	A	10/1991	Iggulden	

5,364,198	A	11/1994	Skenderi	
D377,698	S *	1/1997	Schaffer	D32/42
D386,852	S *	11/1997	Viner	D32/42
D407,876	S *	4/1999	Ward	D32/45
5,908,255	A	6/1999	Branch	
6,082,595	A *	7/2000	Lin	222/192
6,692,171	B2	2/2004	Vito	
2007/0101527	A1	5/2007	McCusker	

* cited by examiner

Primary Examiner — Robin Webster

(57) **CLAIM**

The ornamental design for a squeegee with spray bottle attached, as shown and described.

DESCRIPTION

FIG. 1 comprises a perspective view of the squeegee with a spray bottle attached according to our new design.

FIG. 2 is a bottom plan view thereof.

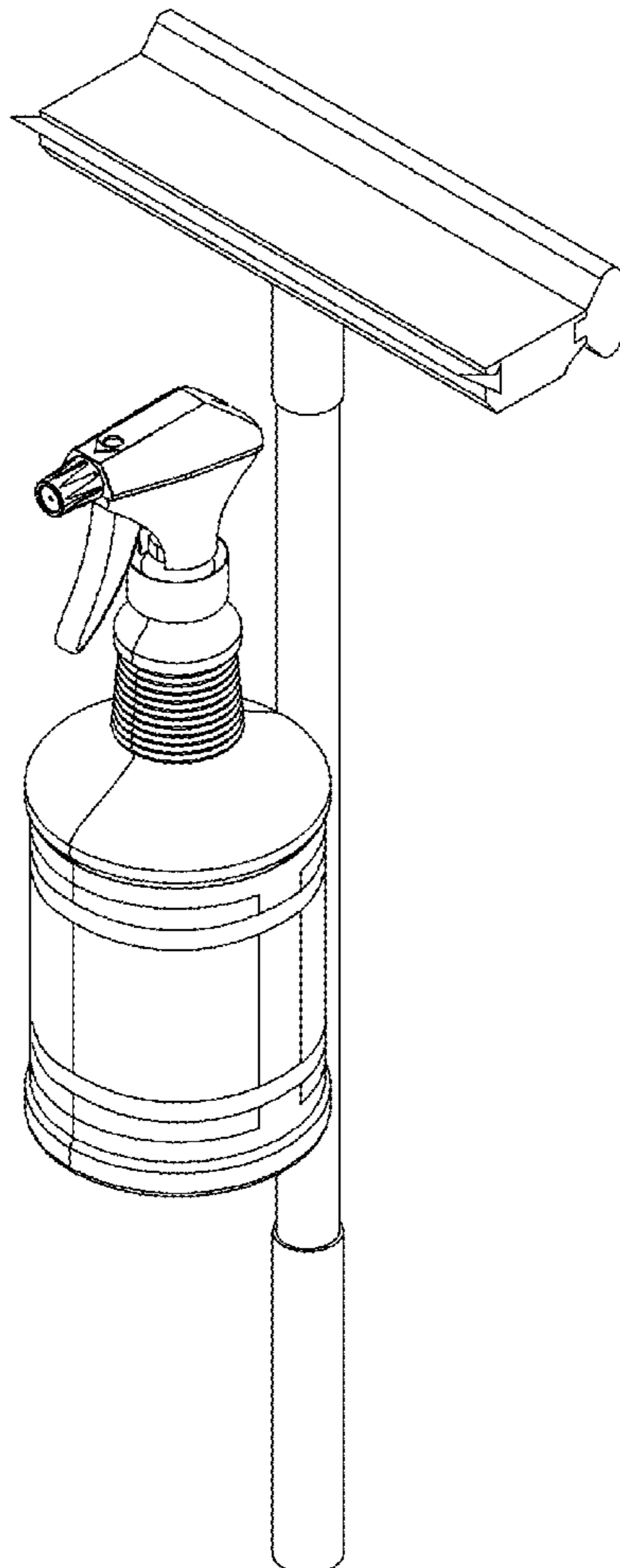
FIG. 3 is a top plan view thereof.

FIG. 4 is a right side plan view with the opposite side being a mirror image thereof.

FIG. 5 is an enlarged front plan view thereof; and,

FIG. 6 is a rear view thereof.

1 Claim, 5 Drawing Sheets



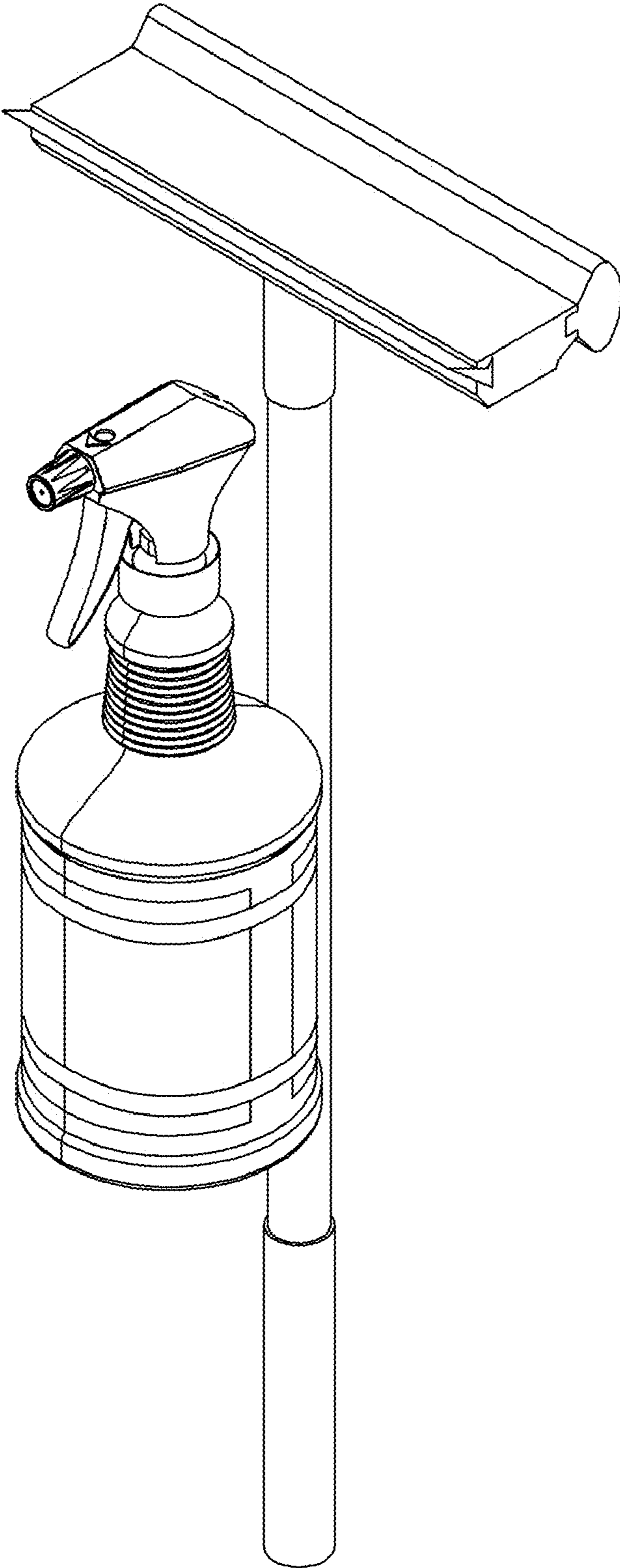


FIG. 1

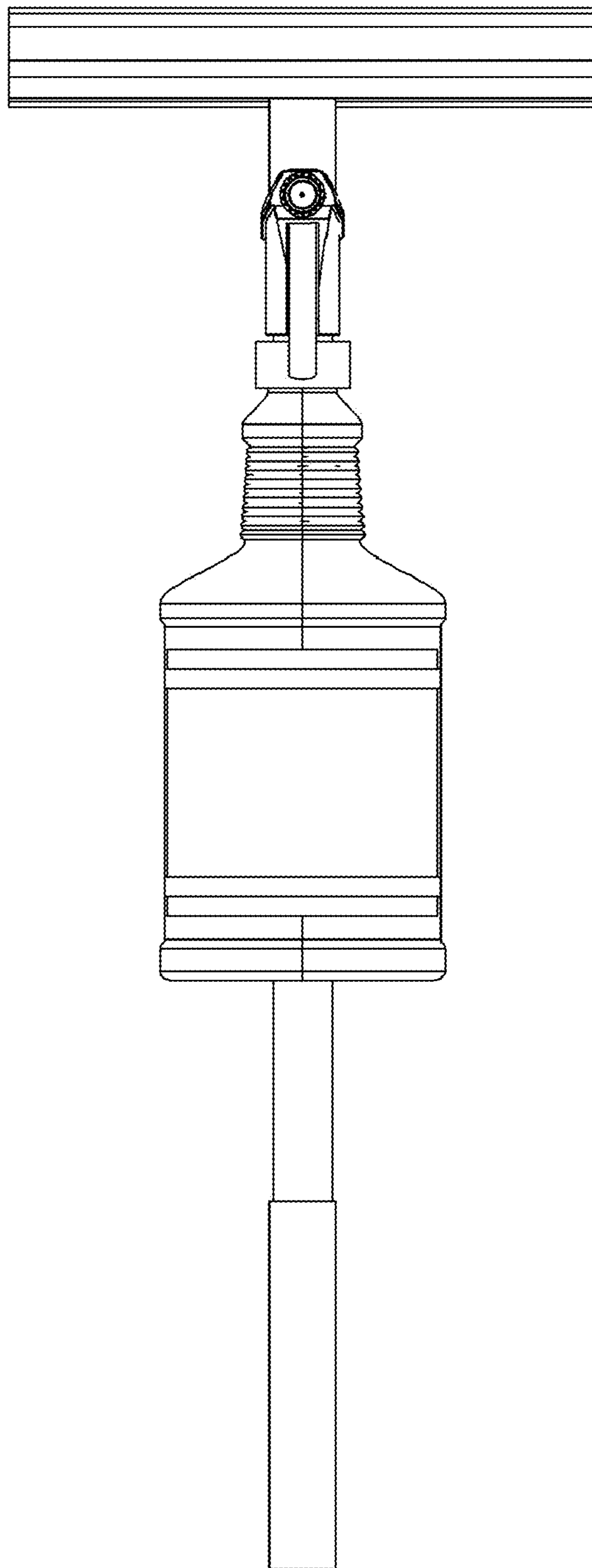


FIG. 2

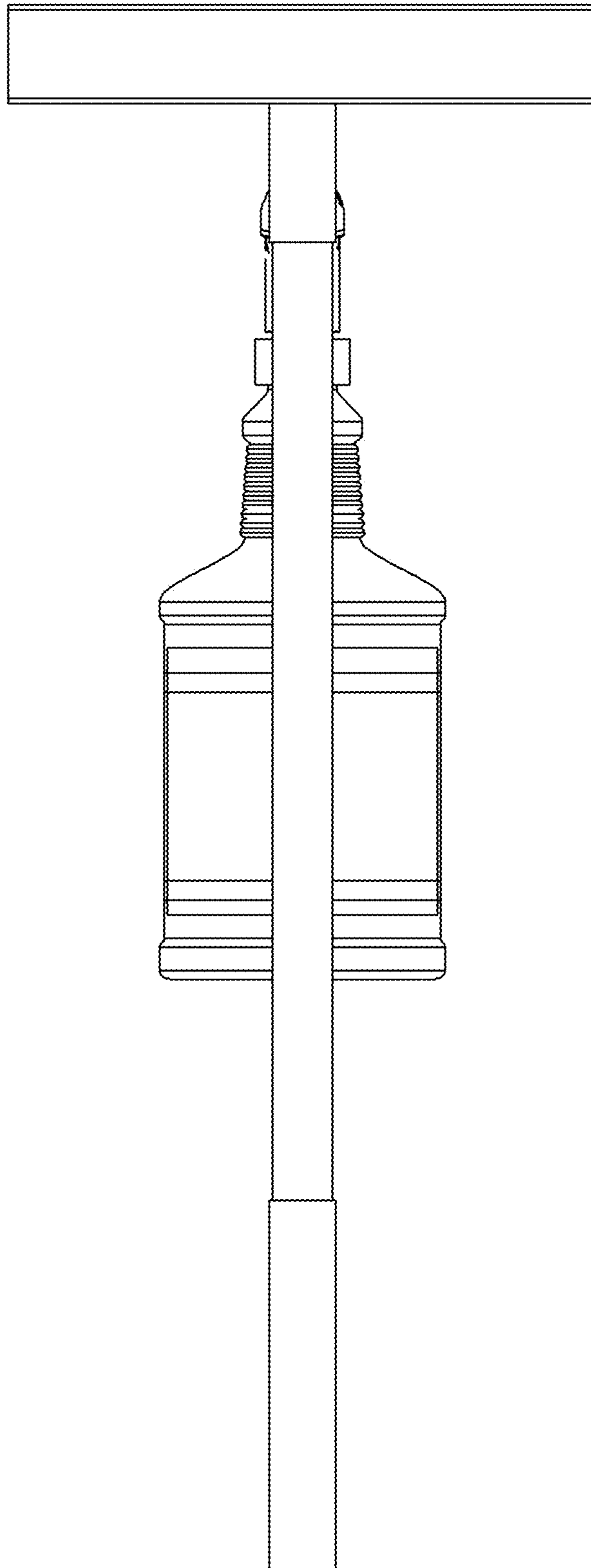


FIG. 3

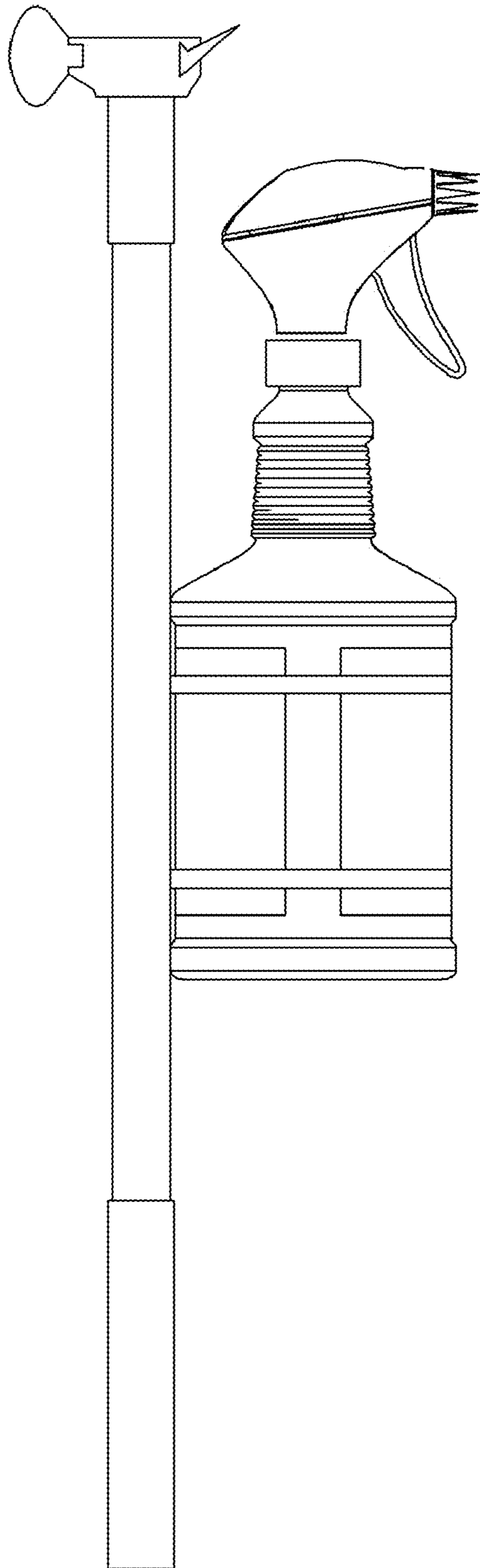


FIG. 4

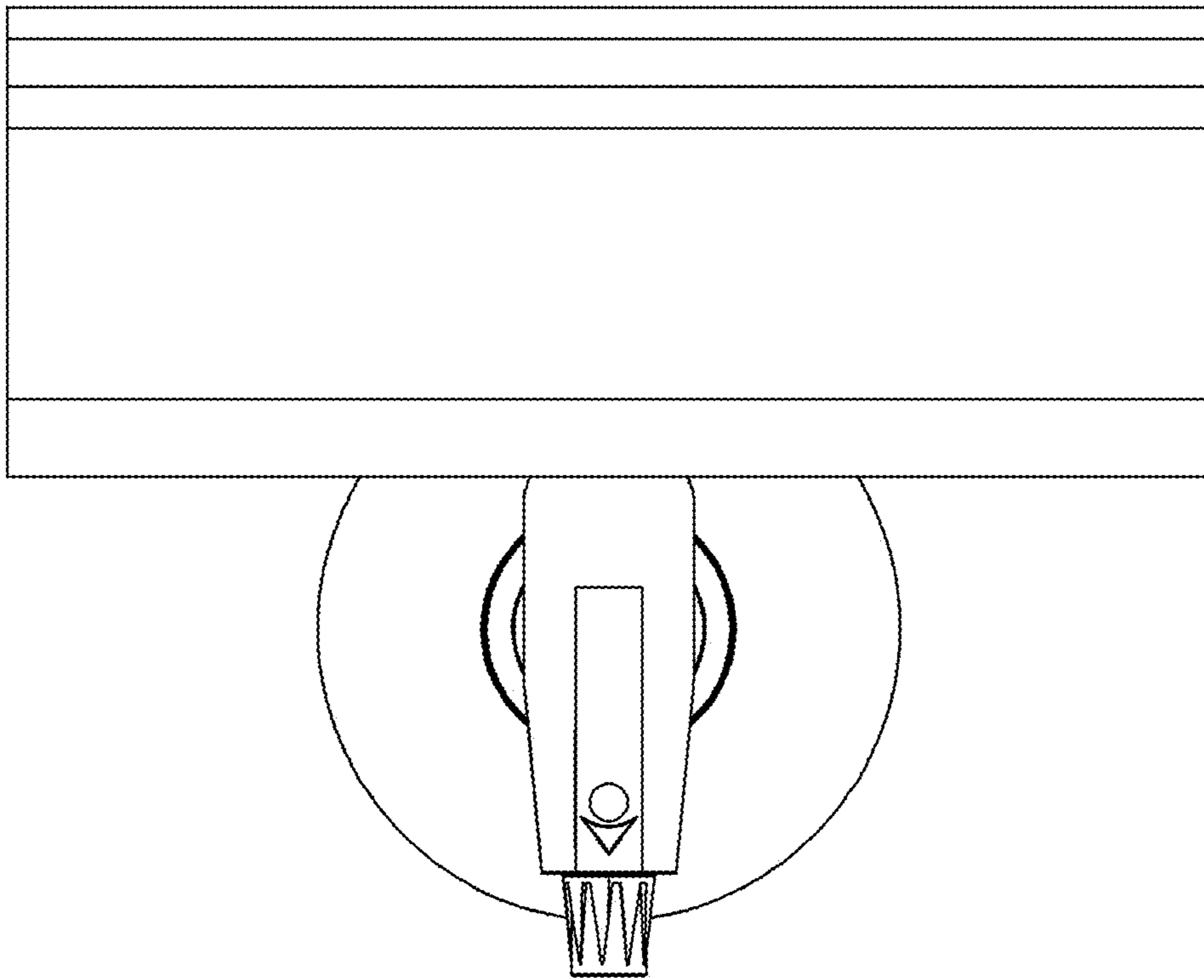


FIG. 5

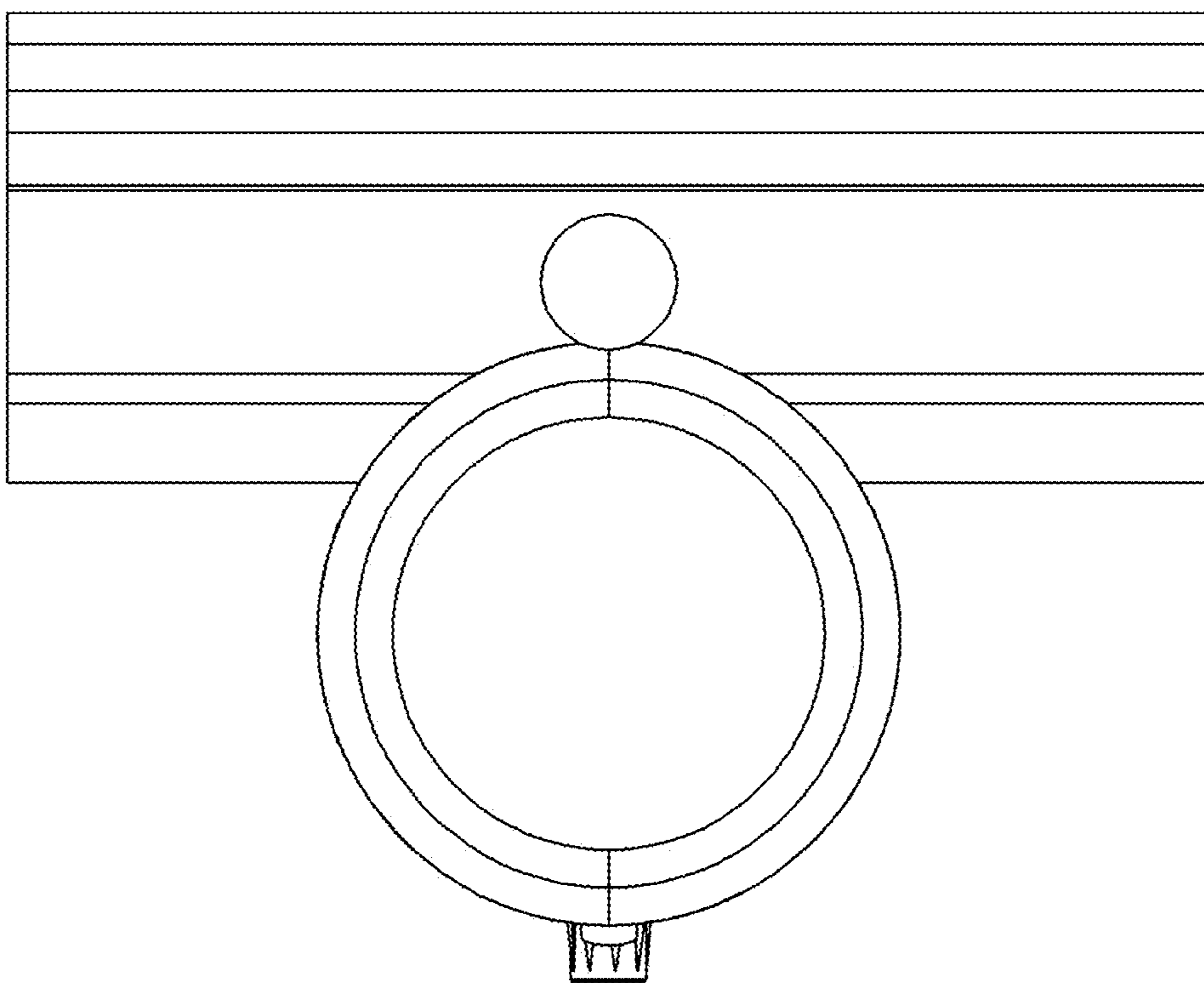


FIG. 6