



US00D640431S

(12) **United States Design Patent**
Houghton

(10) **Patent No.:** **US D640,431 S**

(45) **Date of Patent:** **** Jun. 21, 2011**

(54) **POWERED BRUSH HEAD FOR A
HAND-HELD VACUUM CLEANER**

(75) Inventor: **Stephen Houghton**, Newcastle upon
Tyne (GB)

(73) Assignee: **Black & Decker Inc.**, Newark, DE (US)

(**) Term: **14 Years**

(21) Appl. No.: **29/363,110**

(22) Filed: **Jun. 4, 2010**

(30) **Foreign Application Priority Data**

Dec. 10, 2009 (GB) 001183859

(51) **LOC (9) Cl.** **15-05**

(52) **U.S. Cl.** **D32/33**

(58) **Field of Classification Search** D32/17-18,
D32/31-33; 15/344, 329, 338, 335, 414,
15/415.1, 418-422, 409, 300.1, 322, 320
See application file for complete search history.

(56) **References Cited**

U.S. PATENT DOCUMENTS

D443,741 S * 6/2001 Parr et al. D32/32
6,839,934 B2 * 1/2005 Houghton et al. 15/329

D508,154 S * 8/2005 Carr D32/32
D520,694 S * 5/2006 Choi D32/32
D520,695 S * 5/2006 Dyson et al. D32/33
D585,167 S * 1/2009 Wishney D32/32
D590,112 S * 4/2009 Sun D32/32
D603,569 S * 11/2009 Stratford D32/32
D622,465 S * 8/2010 Crawley D32/33
2002/0013977 A1 * 2/2002 Anderson et al. 15/344
2005/0217070 A1 * 10/2005 Lee et al. 15/415.1
2010/0115726 A1 * 5/2010 Groff et al. 15/344

* cited by examiner

Primary Examiner — Ruth McInroy

(74) *Attorney, Agent, or Firm* — John Yun; Bruce S. Shapiro;
Stephen Valancius

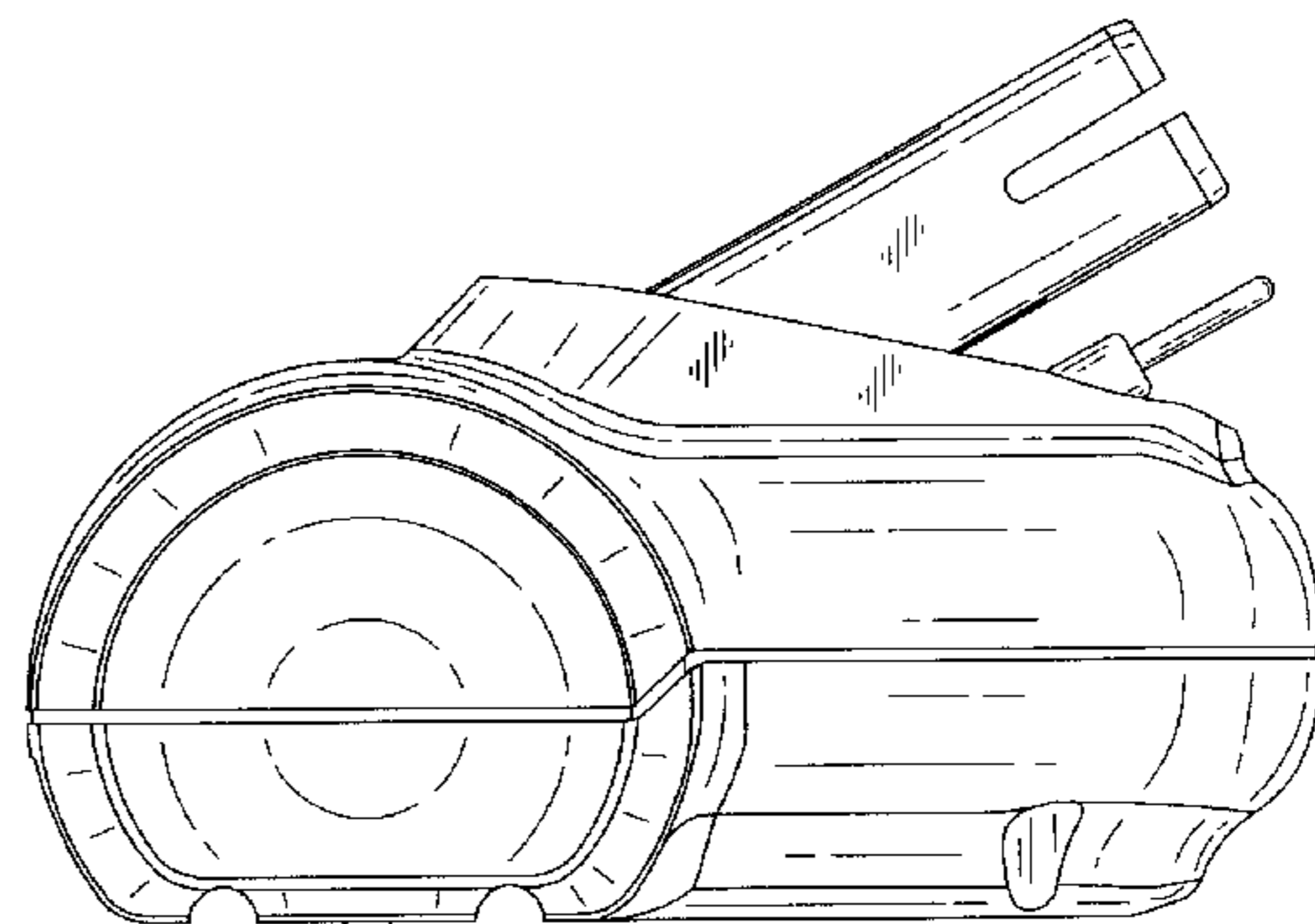
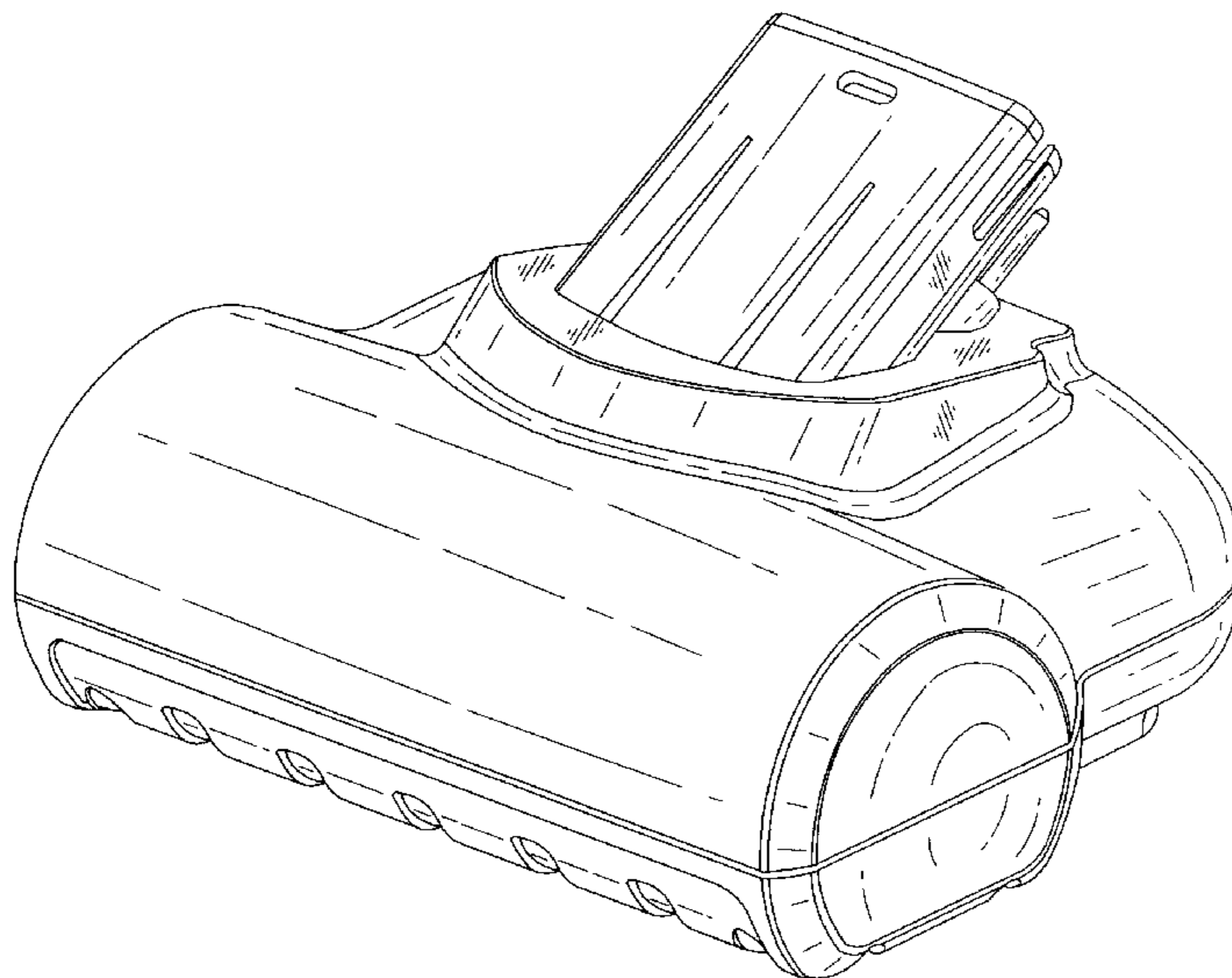
(57) **CLAIM**

The ornamental design for a powered brush head for a hand-held vacuum cleaner, as shown and described.

DESCRIPTION

FIG. 1 is a perspective view of a powered brush head for a hand-held vacuum cleaner showing my new design.
FIG. 2 is a right side view thereof;
FIG. 3 is a left side view thereof;
FIG. 4 is a front view thereof;
FIG. 5 is a rear view thereof;
FIG. 6 is a top view thereof; and,
FIG. 7 is a bottom view thereof.

1 Claim, 5 Drawing Sheets



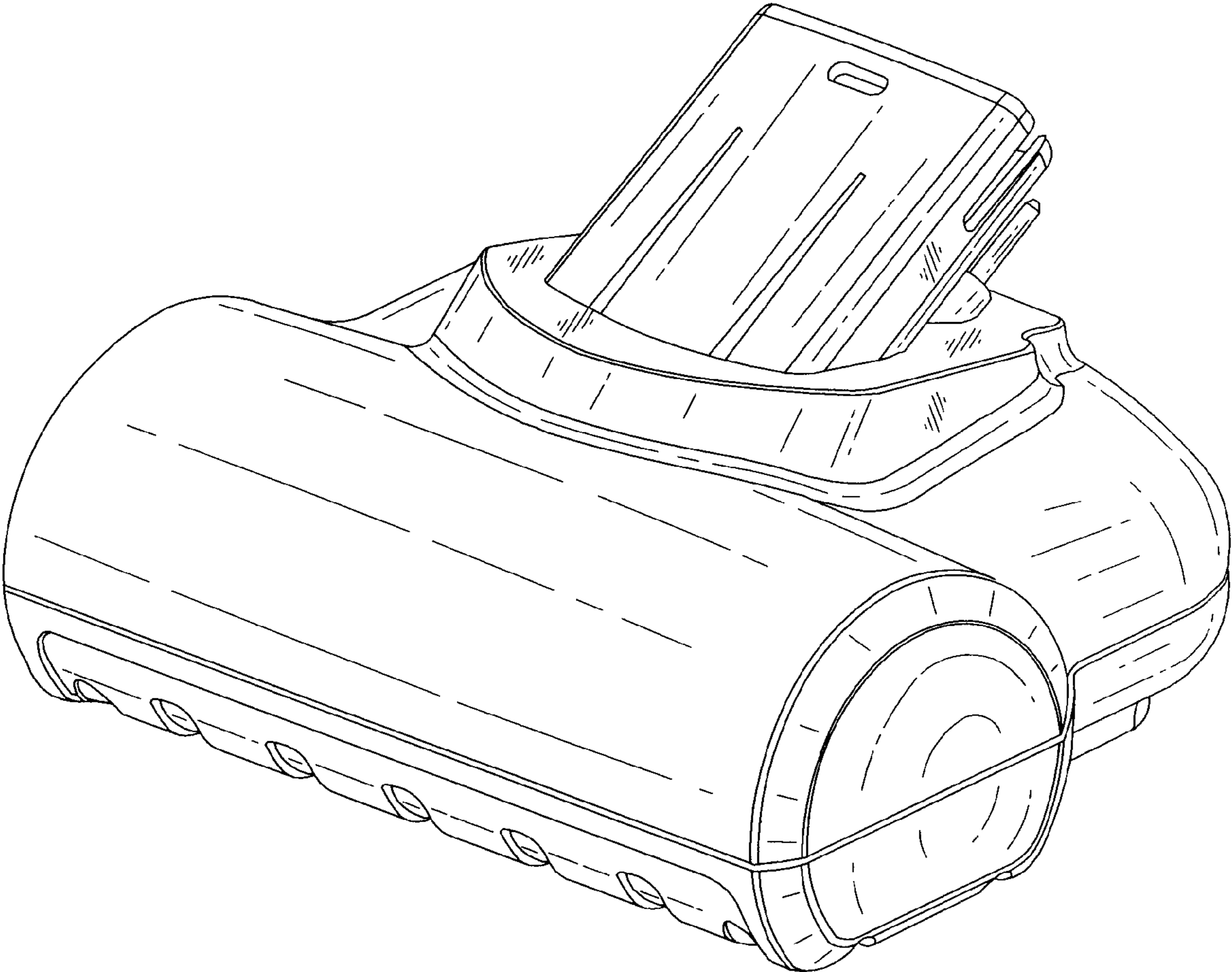


FIG.1

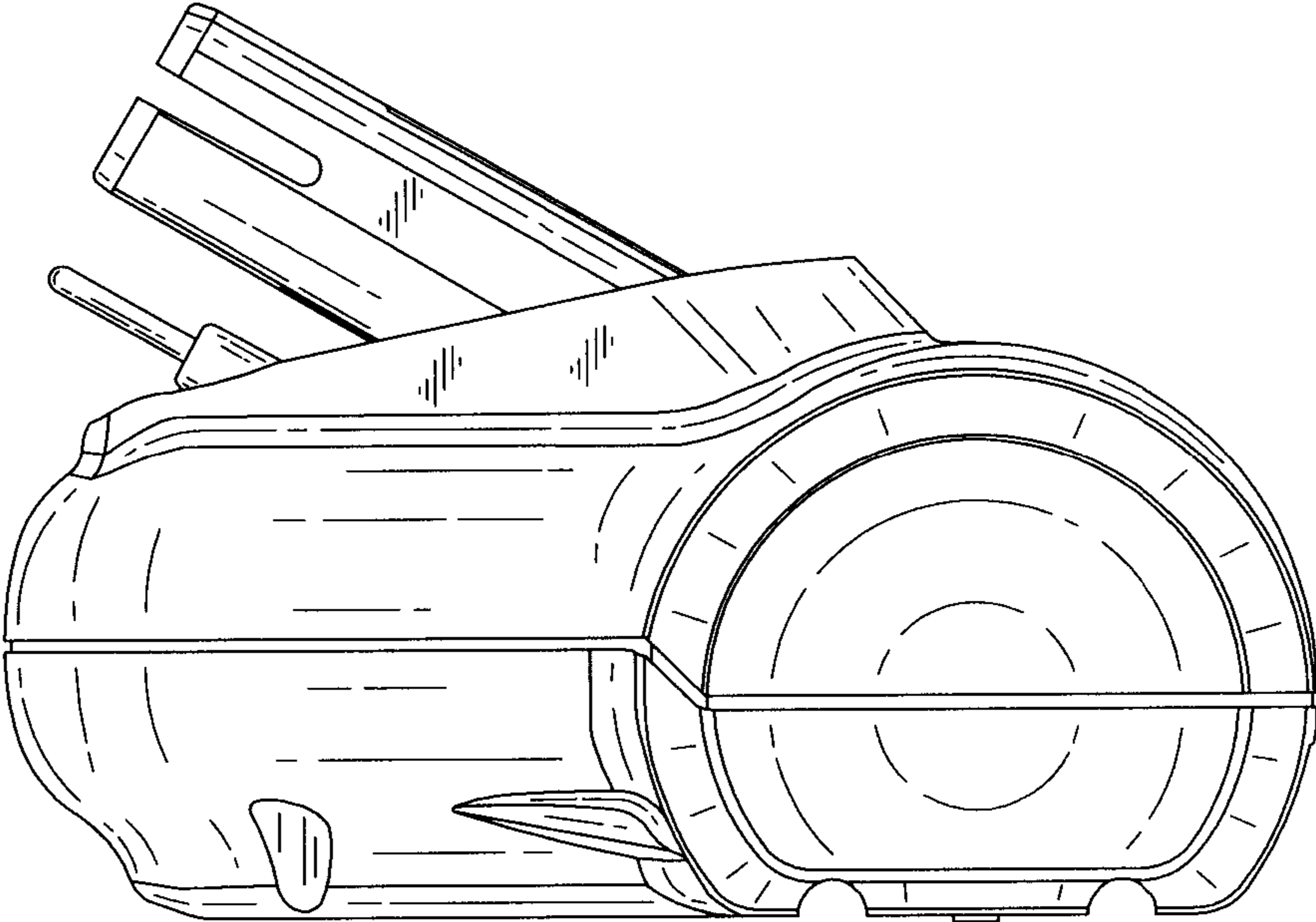


FIG. 2

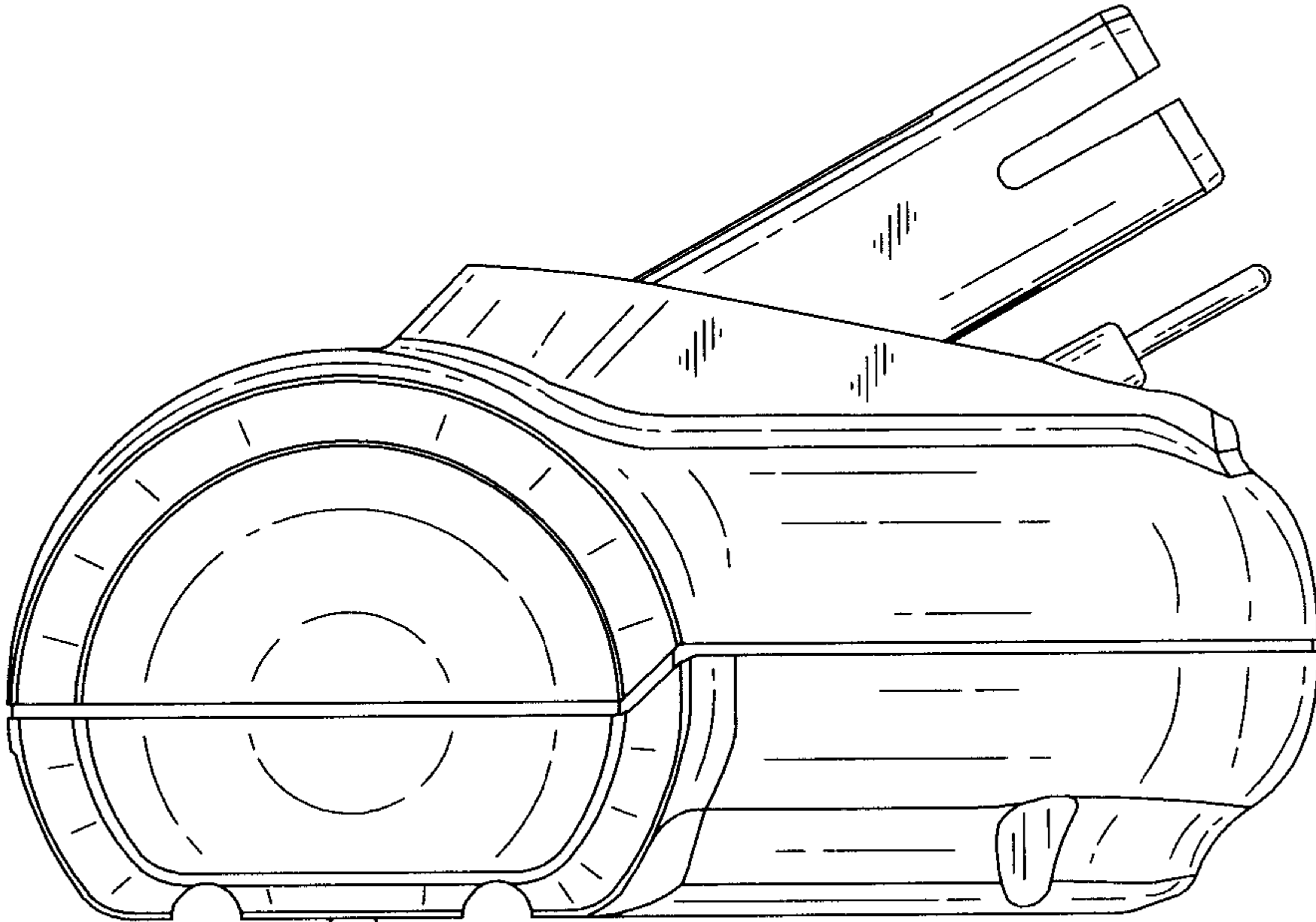


FIG. 3

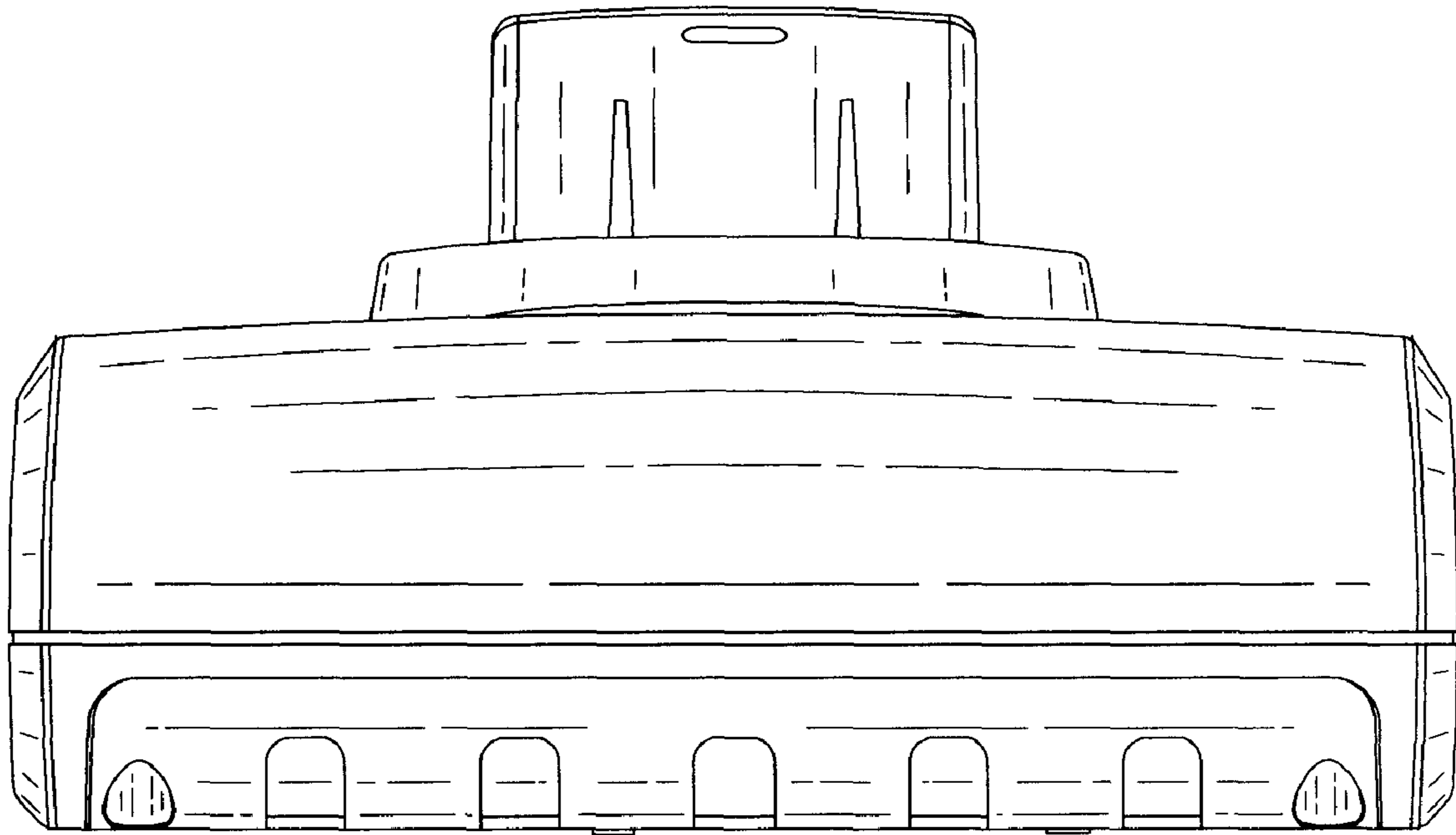


FIG.4

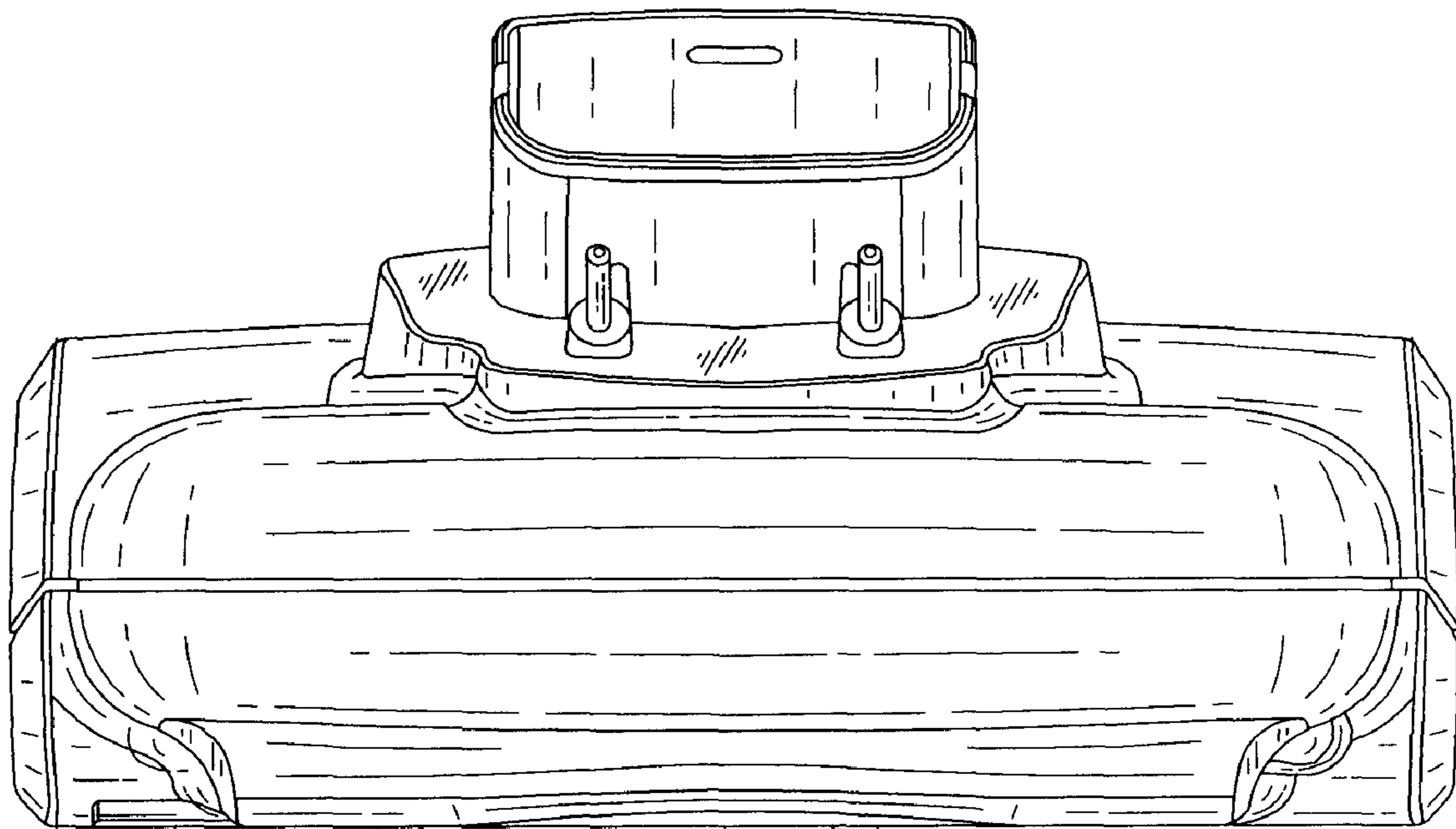


FIG.5

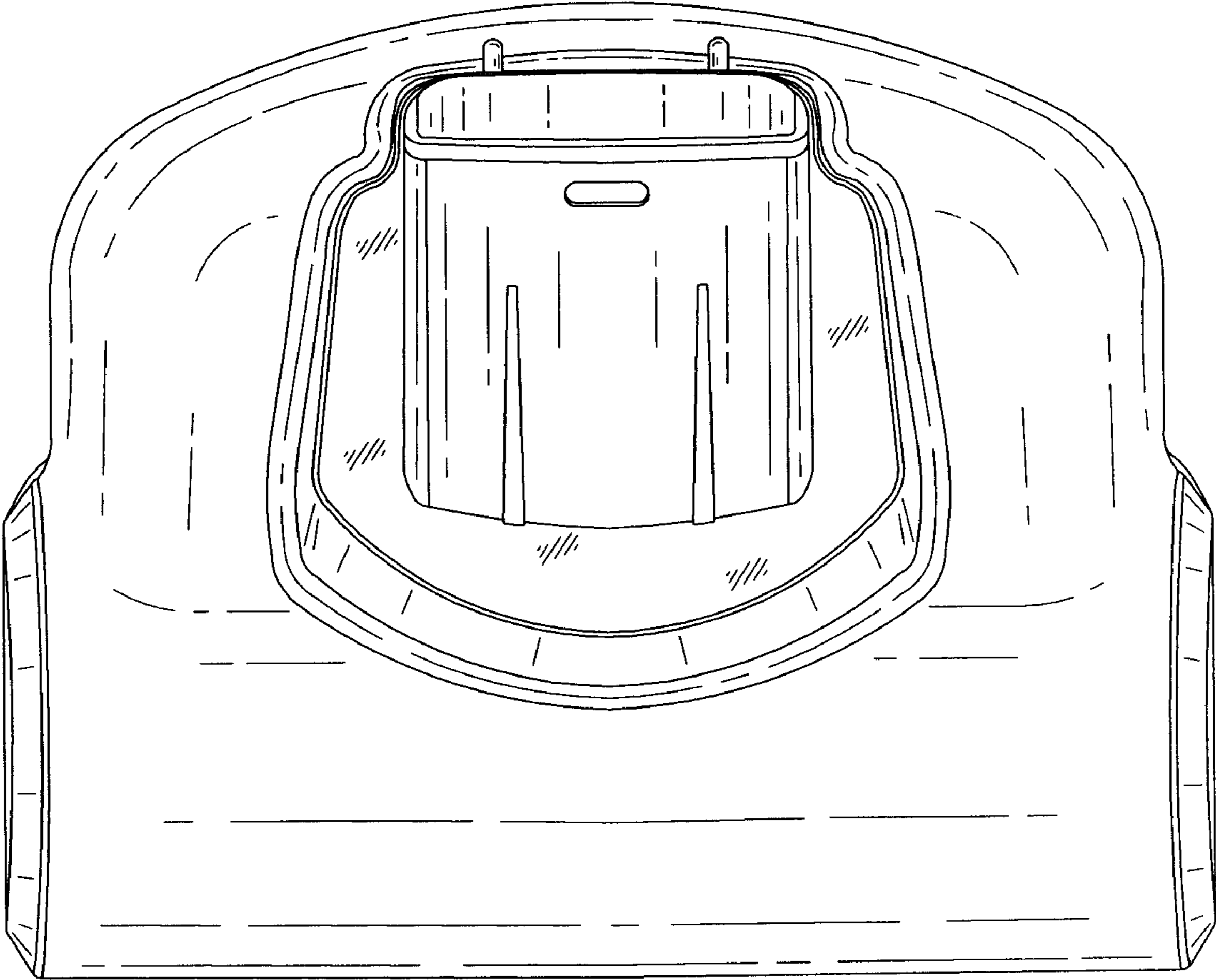


FIG.6

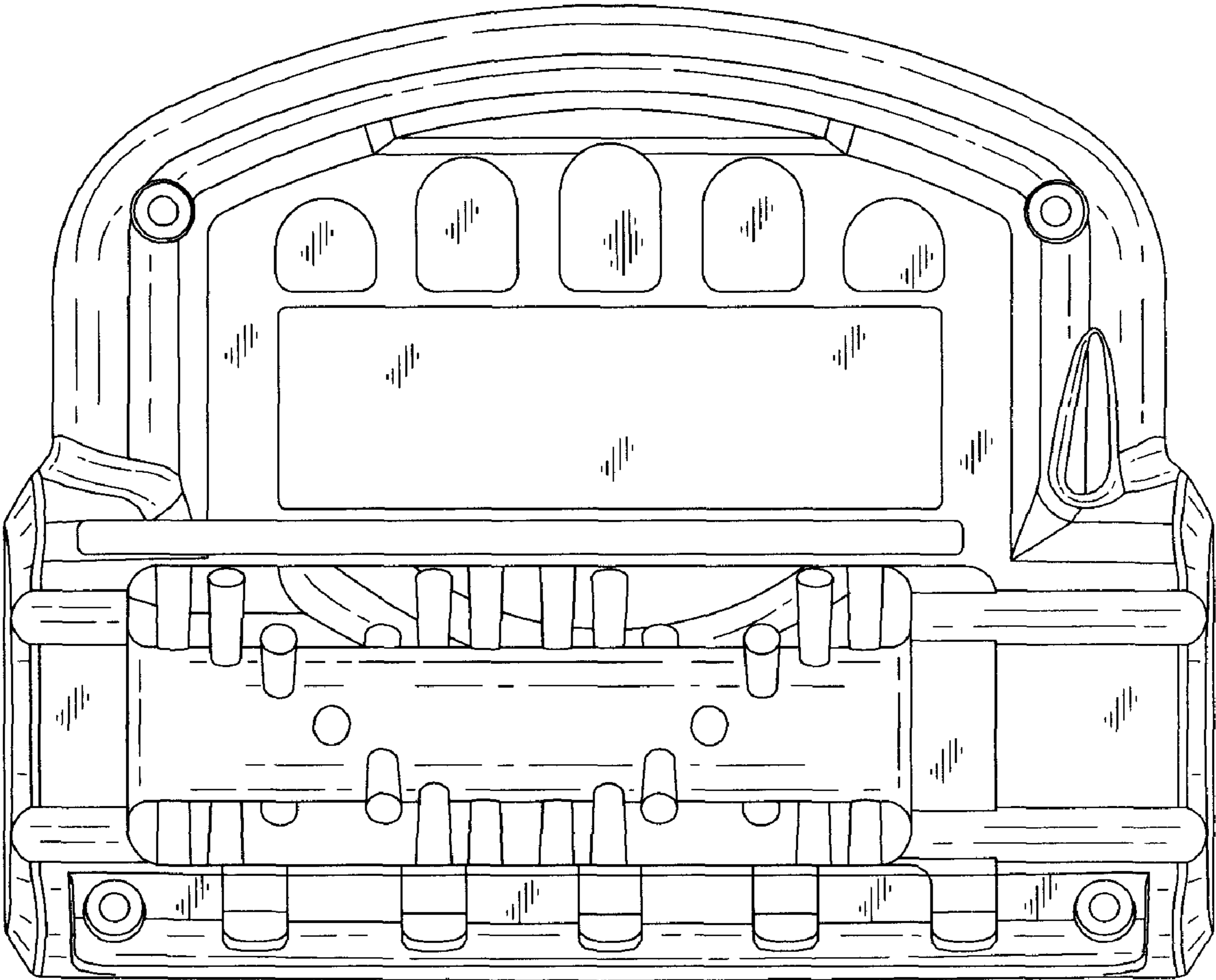


FIG.7