



US00D640415S

(12) **United States Design Patent**
Wonderley et al.

(10) **Patent No.:** **US D640,415 S**
(45) **Date of Patent:** **** *Jun. 21, 2011**

(54) **RAZOR CARTRIDGE**
(75) Inventors: **Jeffrey W. Wonderley**, Fort Defiance,
VA (US); **Frank Prochaska**,
Waynesboro, VA (US)
(73) Assignee: **American Safety Razor**, Verona, VA
(US)

5,070,613 A 12/1991 Althaus et al.
5,185,927 A 2/1993 Rivers
5,191,712 A 3/1993 Crook et al.
5,249,361 A 10/1993 Apprille, Jr. et al.
D343,254 S 1/1994 Miller et al.
D343,255 S 1/1994 Miller et al.
D345,233 S 3/1994 Gray
5,313,705 A 5/1994 Rivers et al.

(Continued)

(*) Notice: This patent is subject to a terminal disclaimer.

FOREIGN PATENT DOCUMENTS

EP 0 578 658 B1 1/1994

(Continued)

(**) Term: **14 Years**

OTHER PUBLICATIONS

(21) Appl. No.: **29/365,283**

Design Registration No. DM/053378, dated Jul. 27, 2000.

(22) Filed: **Jul. 7, 2010**

(Continued)

(51) **LOC (9) Cl.** **28-03**

(52) **U.S. Cl.** **D28/47**

(58) **Field of Classification Search** D28/44-48;
30/32, 32.05, 34.1-34.2, 41, 44-46, 47-51,
30/57-58, 77-84, 526-539, 346.5-346.56,
30/346.61

Primary Examiner — Jennifer Rivard

(74) *Attorney, Agent, or Firm* — McDermott Will & Emery
LLP

See application file for complete search history.

(57) **CLAIM**

The ornamental design for a razor cartridge, as shown and described.

(56) **References Cited**

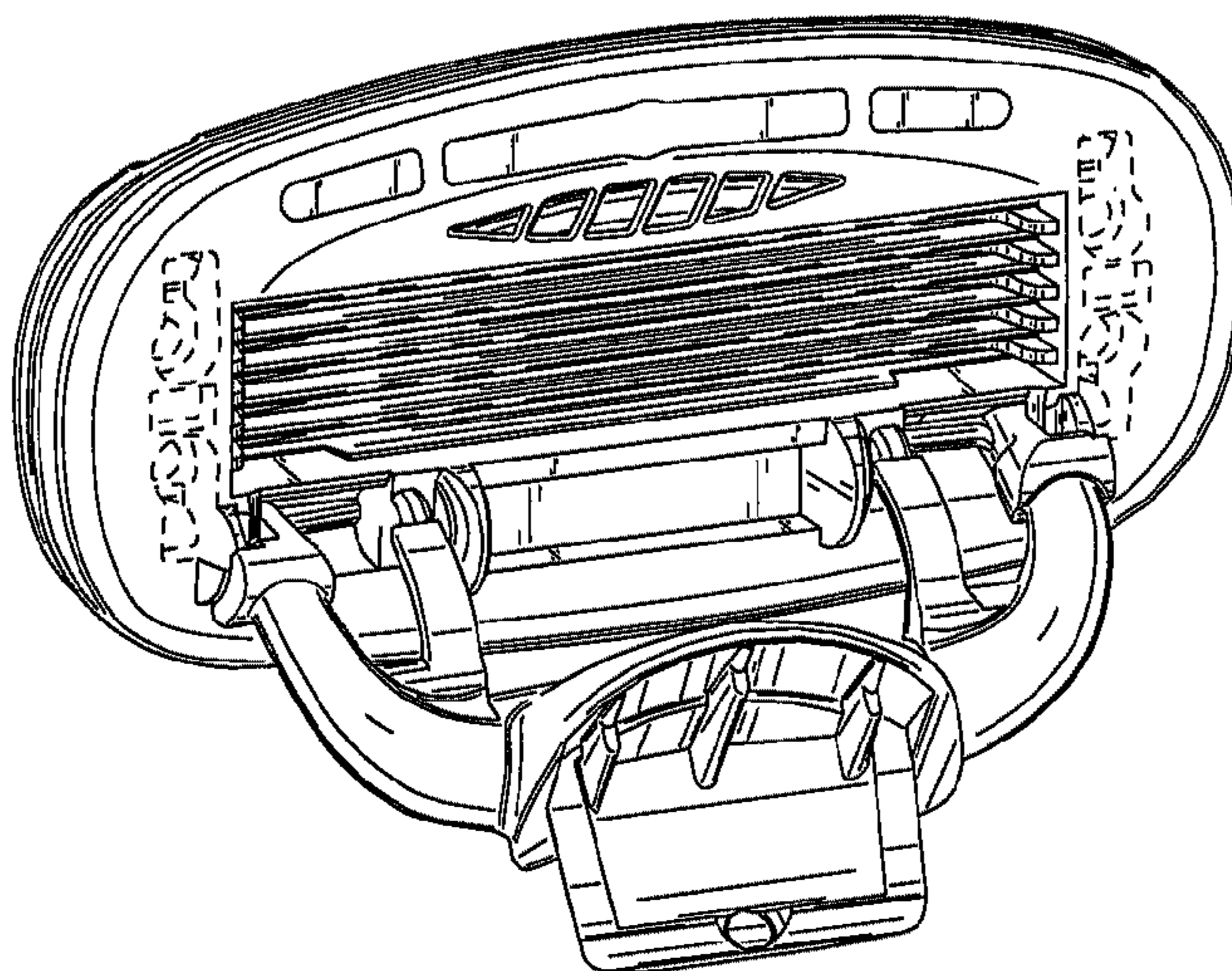
DESCRIPTION

U.S. PATENT DOCUMENTS

1,992,565 A 2/1935 Biegmann
3,327,388 A 6/1967 Sooter
3,399,455 A 9/1968 Steere, Jr.
3,609,862 A 10/1971 Ernstberger
D251,896 S 5/1979 Nissen
4,328,615 A 5/1982 Bowman et al.
D271,531 S 11/1983 Byrne
4,443,938 A 4/1984 Bowman et al.
D284,316 S 6/1986 Halm
4,709,476 A 12/1987 Shurtleff et al.
D294,528 S 3/1988 Gray
D306,216 S 2/1990 Gray
D308,427 S 6/1990 Gyllerstrom
4,985,995 A 1/1991 Coffin
4,996,772 A 3/1991 Iten

FIG. 1 is a rear perspective view of the razor cartridge, showing the new design;
FIG. 2 is a front view of the razor cartridge;
FIG. 3 is a rear view of the razor cartridge;
FIG. 4 is a side view of the razor cartridge;
FIG. 5 is another side view of the razor cartridge;
FIG. 6 is a bottom view of the razor cartridge; and,
FIG. 7 is a top view of the razor cartridge.
The broken lines showing various elements of the razor cartridge are included for the purpose of illustrating non-claimed subject matter and form no part of the claimed design.

1 Claim, 4 Drawing Sheets



US D640,415 S

Page 2

U.S. PATENT DOCUMENTS

5,341,571	A	8/1994	Prochaska	
5,359,774	A	11/1994	Althaus	
5,416,973	A	5/1995	Brown et al.	
5,426,851	A	6/1995	Gilder et al.	
5,497,550	A	3/1996	Trotta et al.	
5,522,137	A	6/1996	Andrews	
D373,218	S	8/1996	Shurtleff et al.	
5,557,851	A	9/1996	Ortiz	
5,575,068	A	11/1996	Pedersen	
5,661,907	A	9/1997	Apprille, Jr.	
5,669,139	A	9/1997	Oldroyd et al.	
5,689,883	A	11/1997	Ortiz et al.	
5,711,076	A	1/1998	Yin et al.	
5,784,790	A	7/1998	Carson, III et al.	
5,787,586	A	8/1998	Apprille, Jr. et al.	
5,794,343	A	8/1998	Lee et al.	
5,813,293	A	9/1998	Apprille, Jr. et al.	
5,865,189	A	2/1999	Andrews	
D407,531	S	3/1999	Lee	
5,893,213	A	4/1999	Motta	
5,903,979	A	5/1999	Oldroyd	
5,953,819	A	9/1999	Simms et al.	
D415,315	S *	10/1999	Swanson et al.	D28/47
6,029,354	A	2/2000	Apprille, Jr. et al.	
6,112,412	A	9/2000	Richard	
6,131,287	A	10/2000	Prochaska et al.	
6,138,361	A	10/2000	Richard et al.	
6,161,287	A	12/2000	Swanson et al.	
6,161,288	A	12/2000	Andrews	
D437,087	S	1/2001	Yamagishi	
6,167,625	B1	1/2001	King et al.	
6,182,365	B1	2/2001	Tseng et al.	
6,182,366	B1	2/2001	Richard	
6,185,823	B1	2/2001	Brown et al.	
6,192,586	B1	2/2001	Metcalf et al.	
D440,012	S	4/2001	Lee	
6,212,777	B1	4/2001	Gilder et al.	
6,216,349	B1	4/2001	Gilder et al.	
D443,111	S	5/2001	Nakasuka	
6,276,061	B1	8/2001	Rozenkranc	
6,298,557	B1	10/2001	Gilder	
6,349,471	B1	2/2002	Gruslin et al.	
6,516,518	B1	2/2003	Garraway et al.	
6,539,633	B1	4/2003	Rebaudieres	
6,550,141	B1	4/2003	Rivers et al.	
6,601,303	B2	8/2003	Gilder et al.	
6,651,342	B1	11/2003	Walker, Jr.	

6,675,479	B1	1/2004	Walker, Jr. et al.	
D487,822	S	3/2004	Lee	
D490,569	S	5/2004	Prochaska	
6,889,438	B2	5/2005	Brown et al.	
D509,321	S	9/2005	Gray	
6,941,659	B2	9/2005	Gilder	
7,043,840	B2	5/2006	Walker, Jr. et al.	
7,047,646	B2	5/2006	Coffin	
D524,986	S	7/2006	Prudden et al.	
7,131,202	B2	11/2006	Pennell et al.	
D533,684	S	12/2006	Gray et al.	
D534,313	S	12/2006	Provost et al.	
D534,315	S	12/2006	Provost et al.	
D534,686	S	1/2007	Provost et al.	
D534,688	S	1/2007	Provost et al.	
7,168,173	B2	1/2007	Worrick, III	
7,178,243	B2	2/2007	Brown et al.	
7,191,523	B2	3/2007	Miyazaki et al.	
7,197,825	B2	4/2007	Walker et al.	
D542,972	S *	5/2007	Pryor et al.	D28/47
7,210,229	B2	5/2007	Coffin	
D547,494	S	7/2007	Watson et al.	
D550,400	S *	9/2007	Orloff et al.	D28/47
D556,378	S	11/2007	Watson et al.	
D559,454	S *	1/2008	Padain et al.	D28/47
7,610,683	B2	11/2009	Brown et al.	
2004/0055156	A1	3/2004	Brown, Jr.	
2005/0022386	A1	2/2005	Macove	
2005/0198829	A1	9/2005	Gray et al.	
2005/0198830	A1	9/2005	Walker et al.	
2005/0198837	A1	9/2005	Rawle	
2005/0198839	A1	9/2005	Walker	
2006/0162167	A1	7/2006	Walker	
2006/0196054	A1	9/2006	Luxton	
2007/0062044	A1	3/2007	Walker et al.	
2008/0034590	A1 *	2/2008	Prudden et al.	30/34.2
2009/0172957	A1 *	7/2009	Prudden, Jr.	30/539
2009/0307908	A1 *	12/2009	Nakasuka	30/41

FOREIGN PATENT DOCUMENTS

EP		0 878 275	A1	11/1998
WO	WO 2005/090018		A1	9/2005
WO	WO 2005/090019		A1	9/2005

OTHER PUBLICATIONS

Design Registration No. DM/047940, dated May 25, 1999.

* cited by examiner

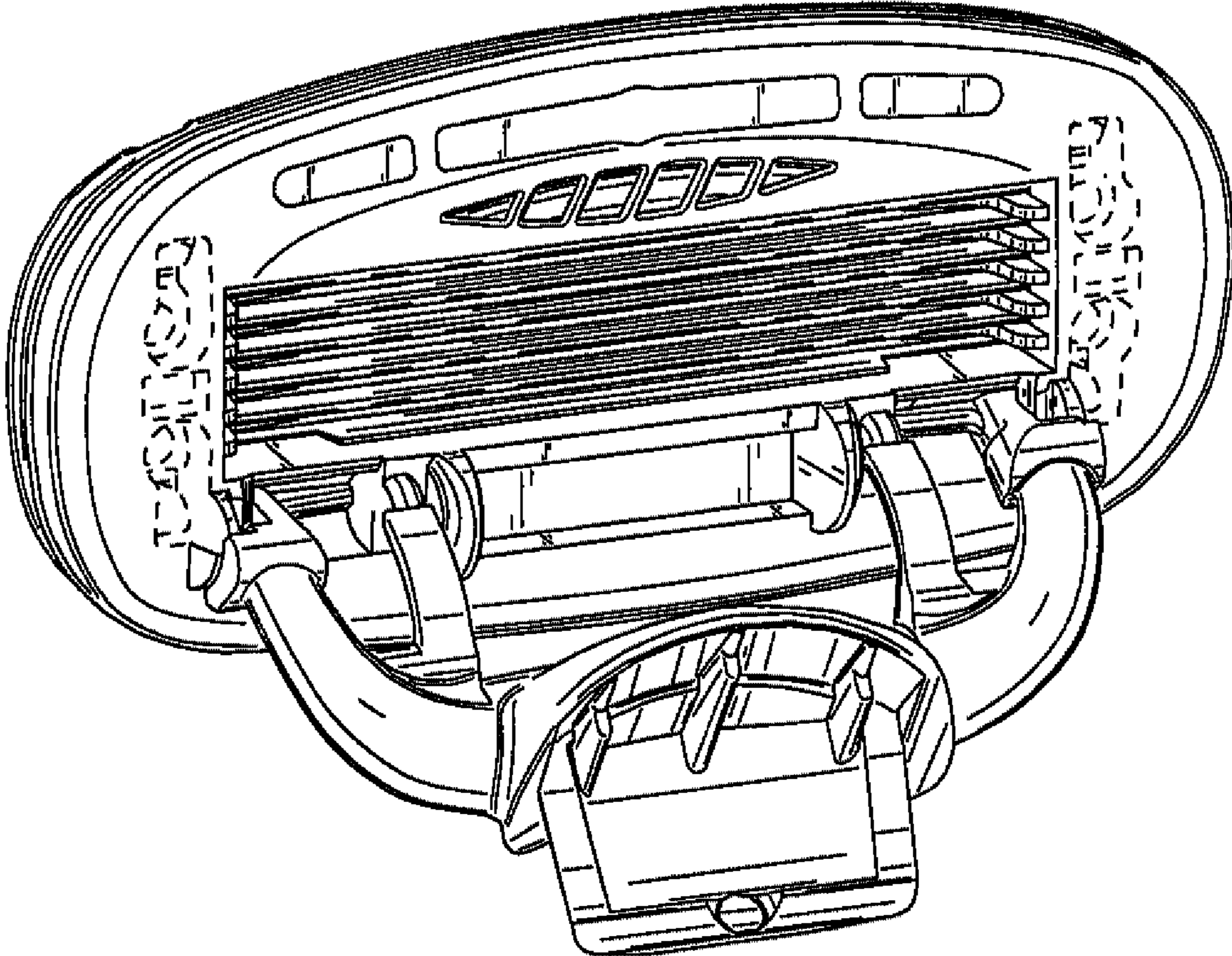


FIG. 1

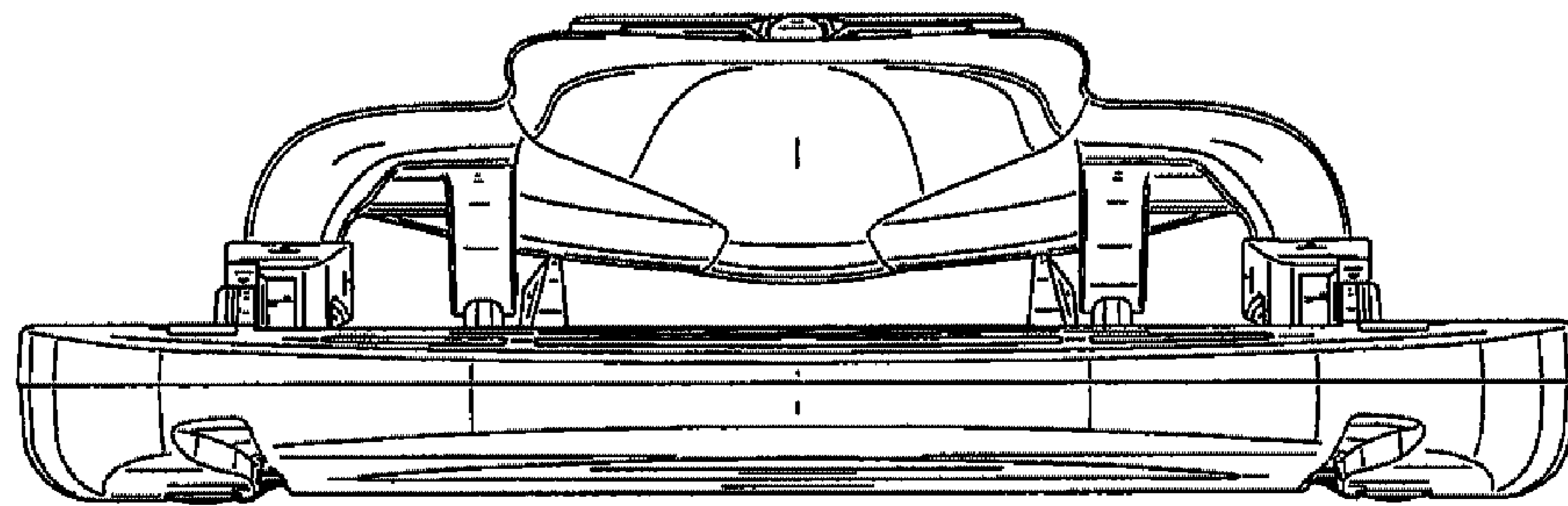


FIG. 2

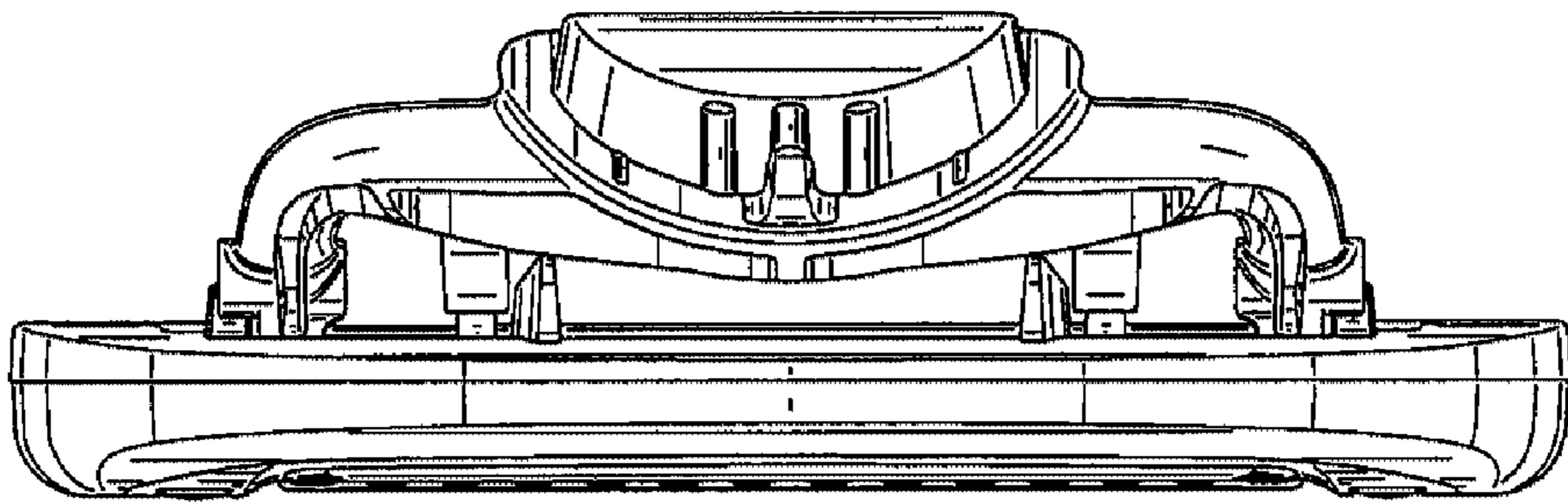


FIG. 3

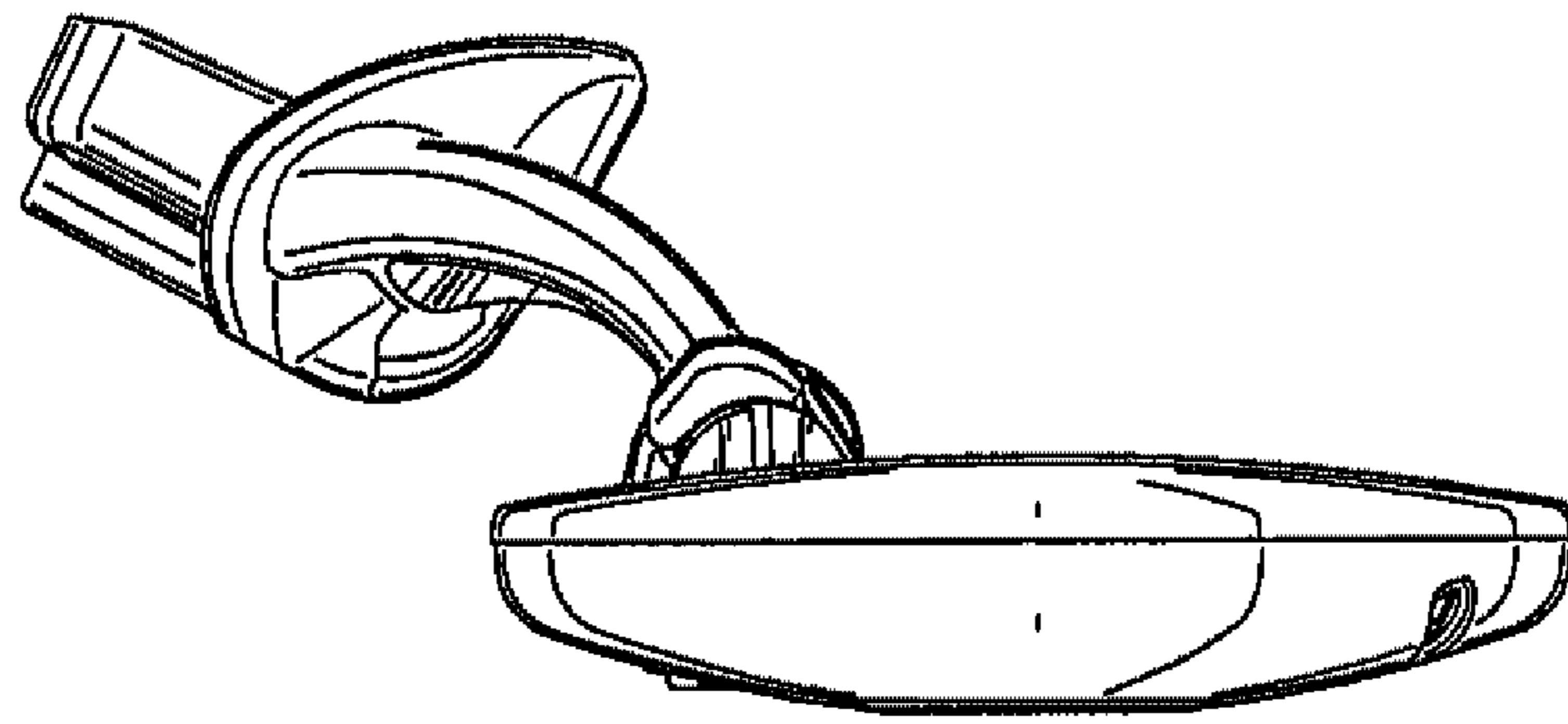


FIG. 4

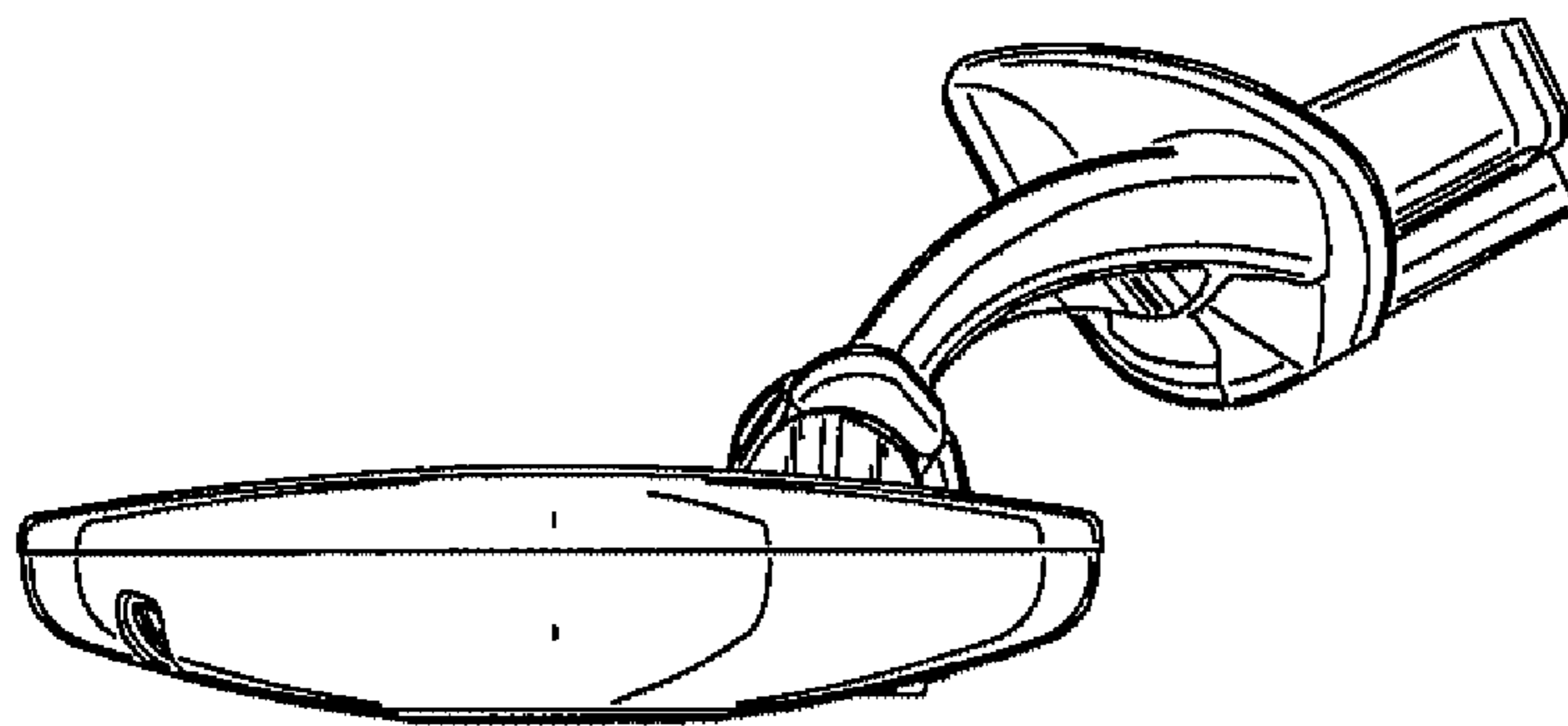


FIG. 5

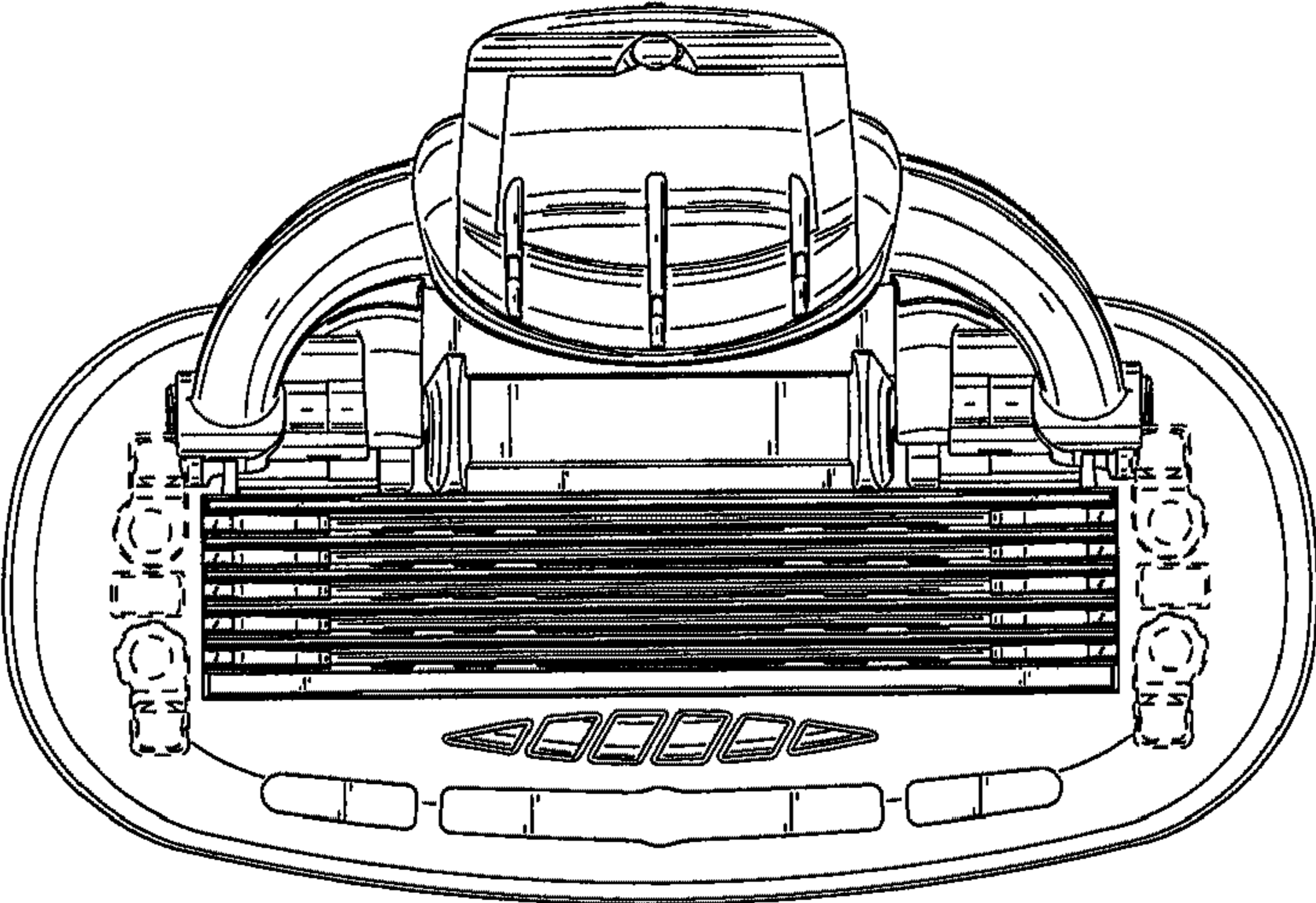


FIG. 6

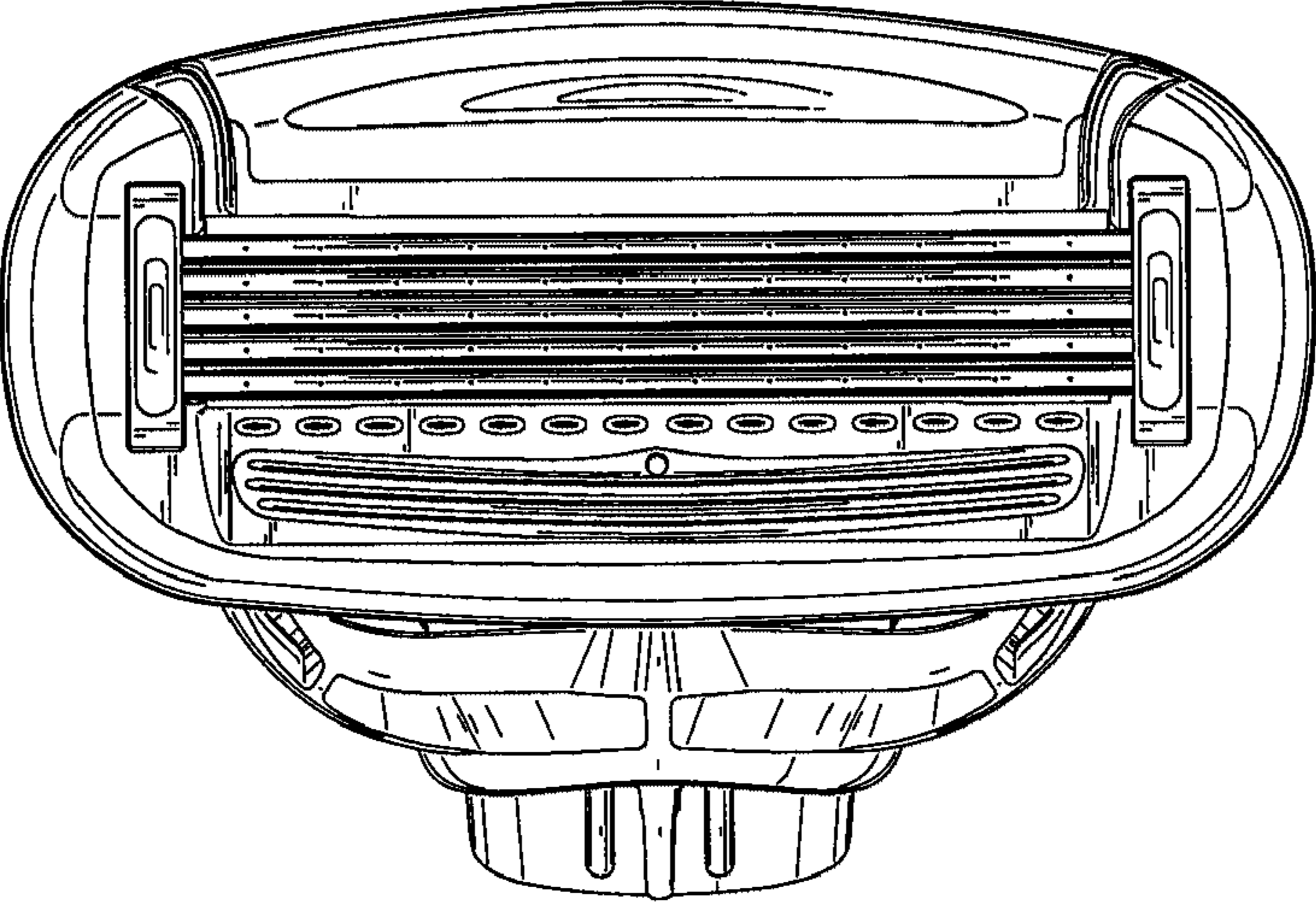


FIG. 7