



US00D640412S

(12) **United States Design Patent**  
**Chen**

(10) **Patent No.:** **US D640,412 S**

(45) **Date of Patent:** **\*\* Jun. 21, 2011**

(54) **CLIP FOR ADJUSTING THE LENGTH OF A STRAP**

D486,605 S \* 2/2004 Walker et al. .... D28/40  
D536,132 S \* 1/2007 Vergona ..... D28/40  
D580,099 S \* 11/2008 Pichon ..... D28/40  
D583,993 S \* 12/2008 Pichon ..... D28/40

(75) Inventor: **Hong-Bo Chen**, Taipei (TW)

\* cited by examiner

(73) Assignee: **BP Children's Products HK Co., Limited**, Kowloon (HK)

*Primary Examiner* — Zenia Bennett

(\*\*) Term: **14 Years**

(74) *Attorney, Agent, or Firm* — Marger Johnson & McCollom PC

(21) Appl. No.: **29/367,133**

(57) **CLAIM**

(22) Filed: **Aug. 3, 2010**

The ornamental design for clip for adjusting the length of a strap, as shown and described.

(51) **LOC (9) Cl.** ..... **28-03**

(52) **U.S. Cl.** ..... **D28/40**

(58) **Field of Classification Search** ..... D28/7,  
D28/20–22, 30–31; 132/53, 112, 126, 150,  
132/208, 219.216

See application file for complete search history.

**DESCRIPTION**

(56) **References Cited**

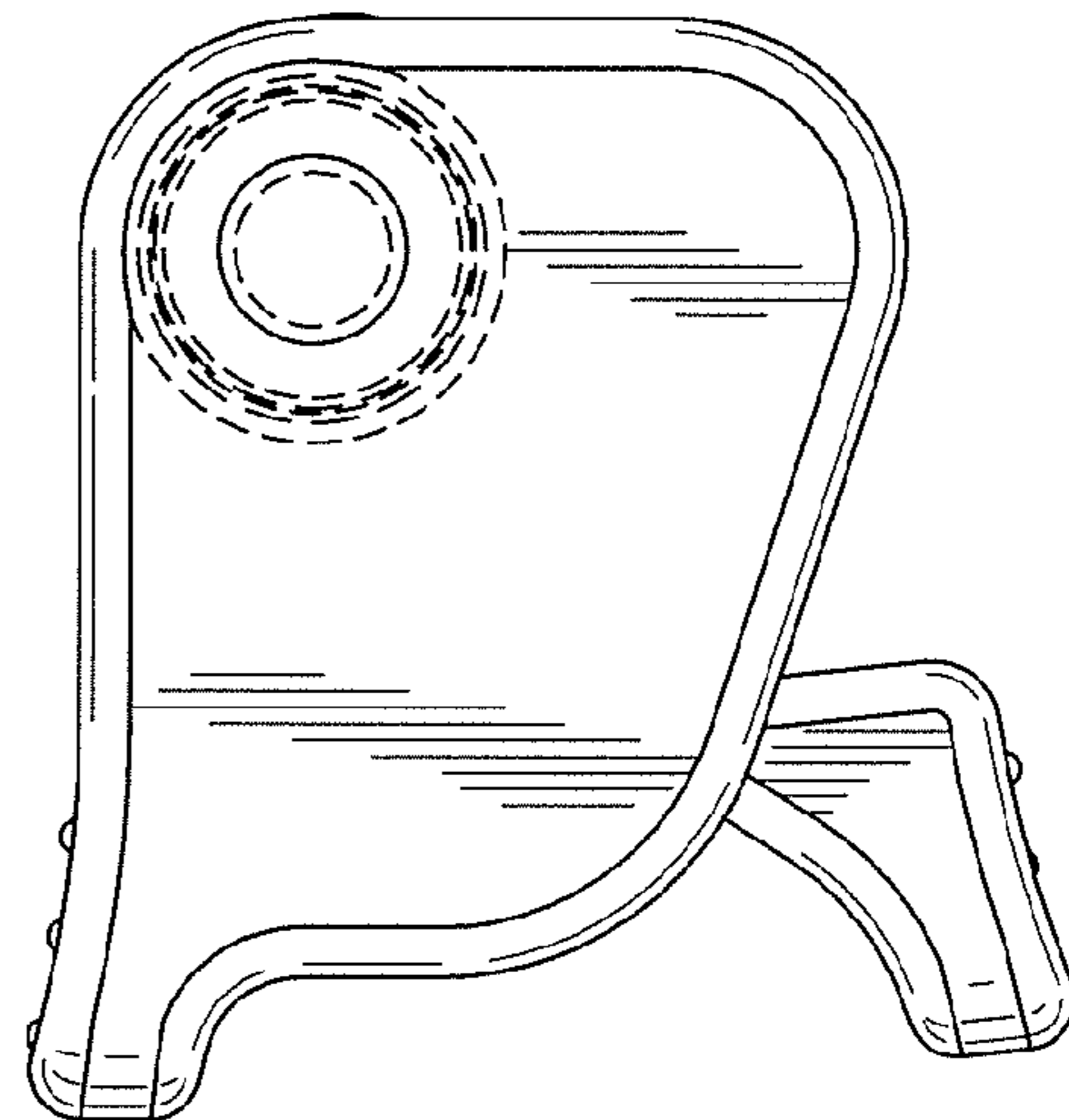
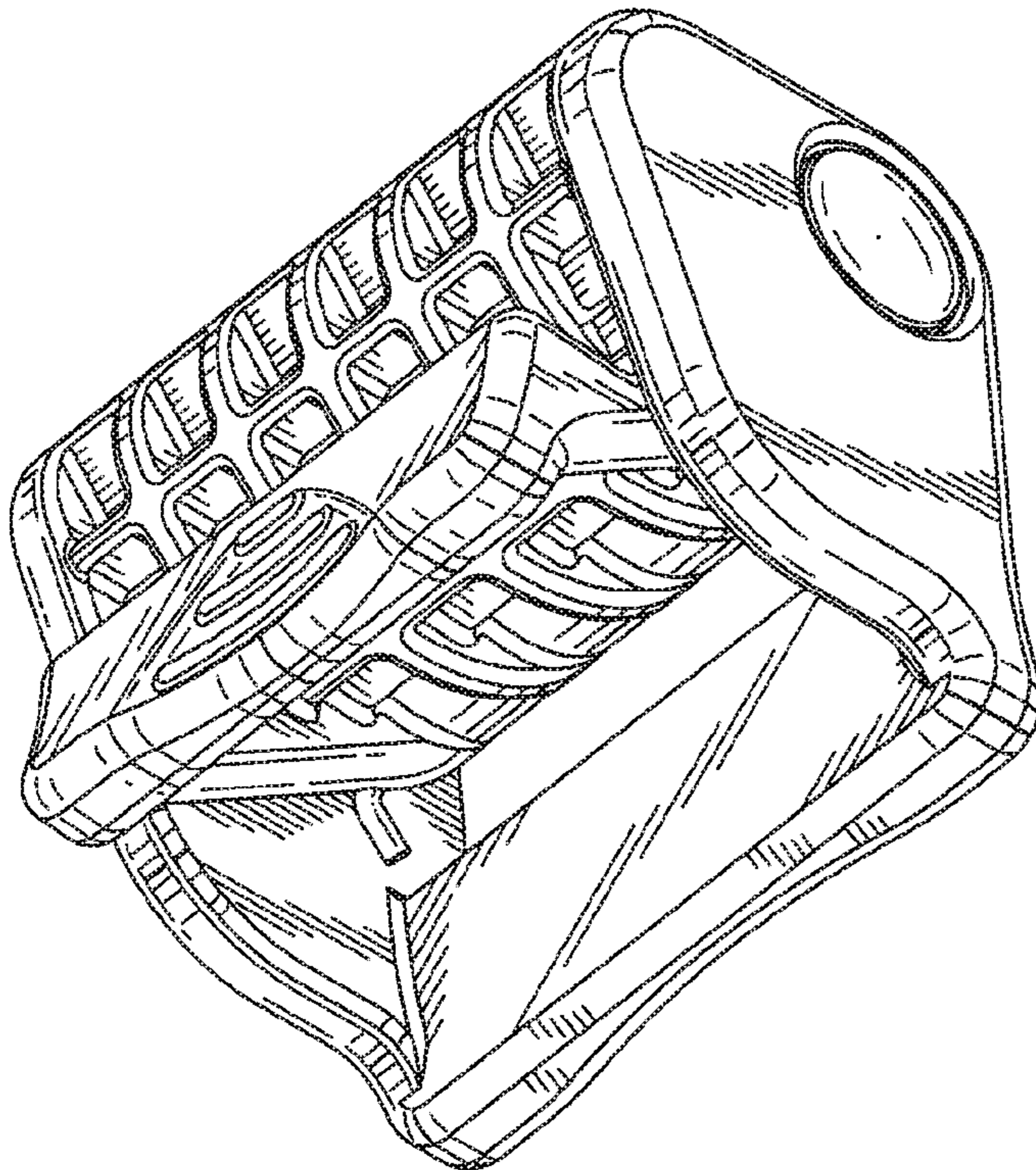
**U.S. PATENT DOCUMENTS**

D328,668 S \* 8/1992 Legrand ..... D2/978  
D410,302 S \* 5/1999 Yasuda ..... D28/40  
6,386,205 B2 \* 5/2002 Sartena ..... 132/53  
6,389,657 B1 \* 5/2002 Turner ..... 24/334  
D483,524 S \* 12/2003 Walker et al. .... D28/40

FIG. 1 is a perspective view of clip for adjusting the length of a strap showing my new design;  
FIG. 2 is a front elevational view thereof;  
FIG. 3 is a rear elevational view thereof;  
FIG. 4 is a left side elevational view thereof;  
FIG. 5 is a right side elevational view thereof;  
FIG. 6 is a top plan view thereof; and,  
FIG. 7 is a bottom plan view thereof.

The broken lines are for environmental purposes only and form no part of the claimed design.

**1 Claim, 4 Drawing Sheets**



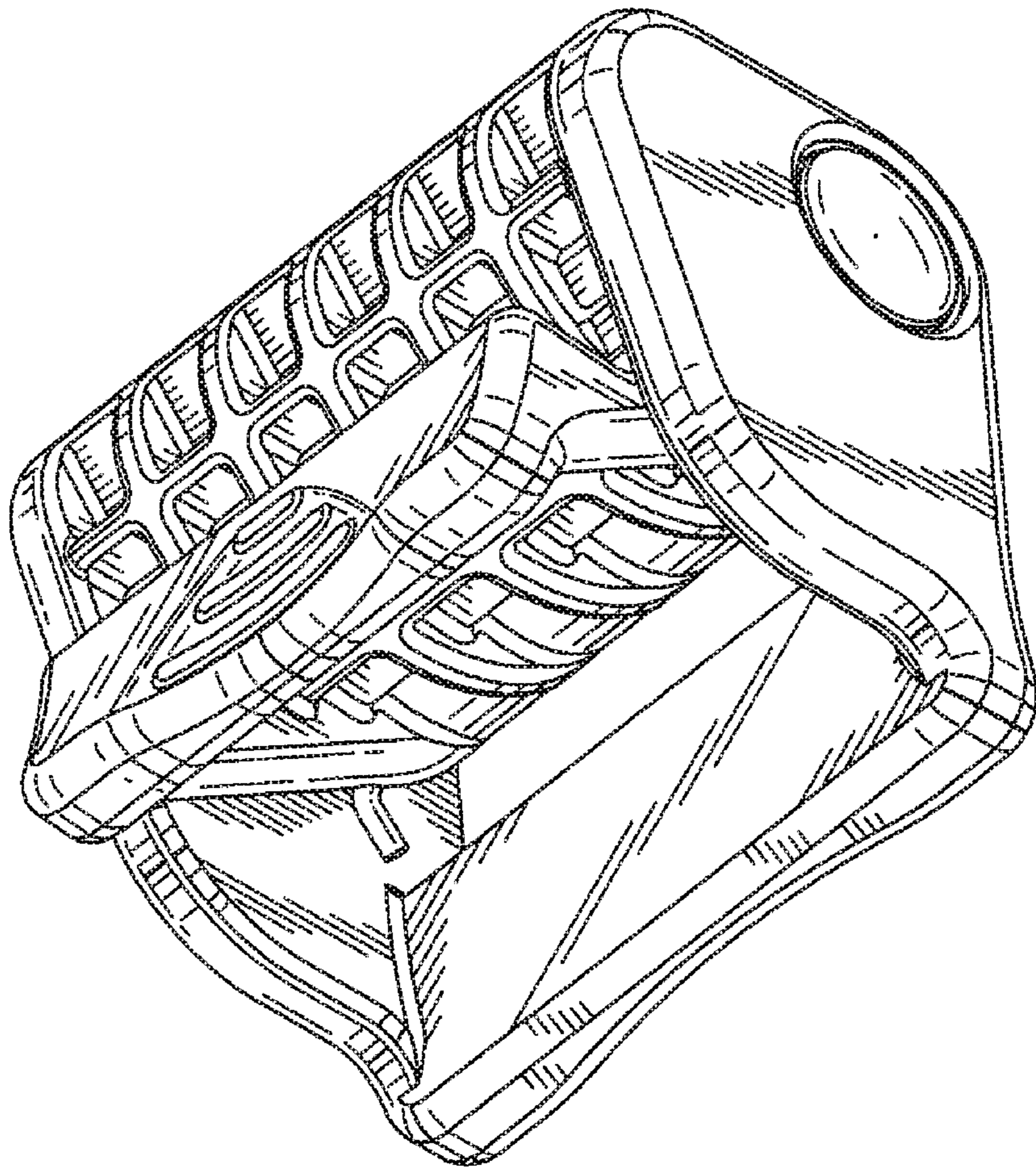


FIG. 1

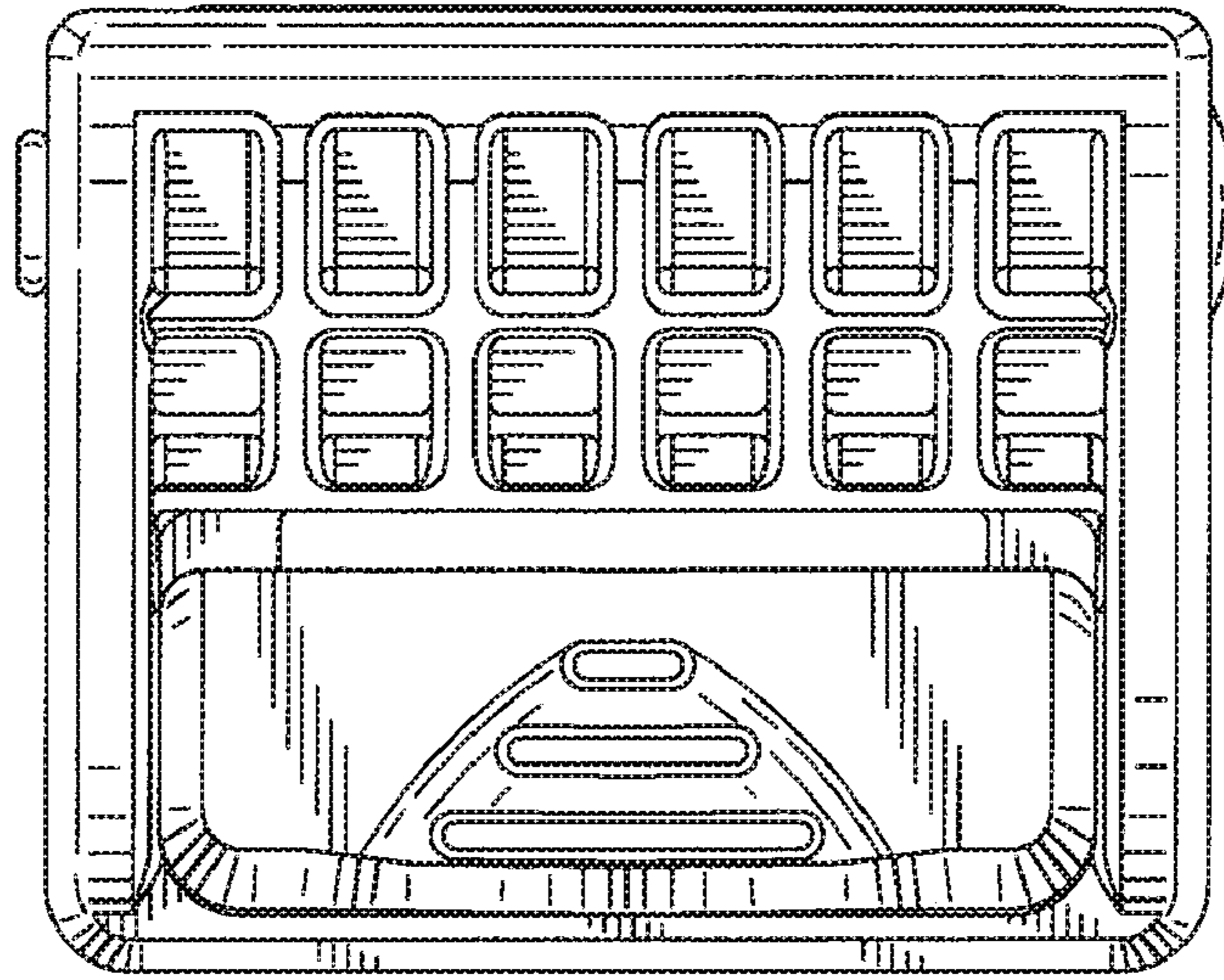


FIG. 2

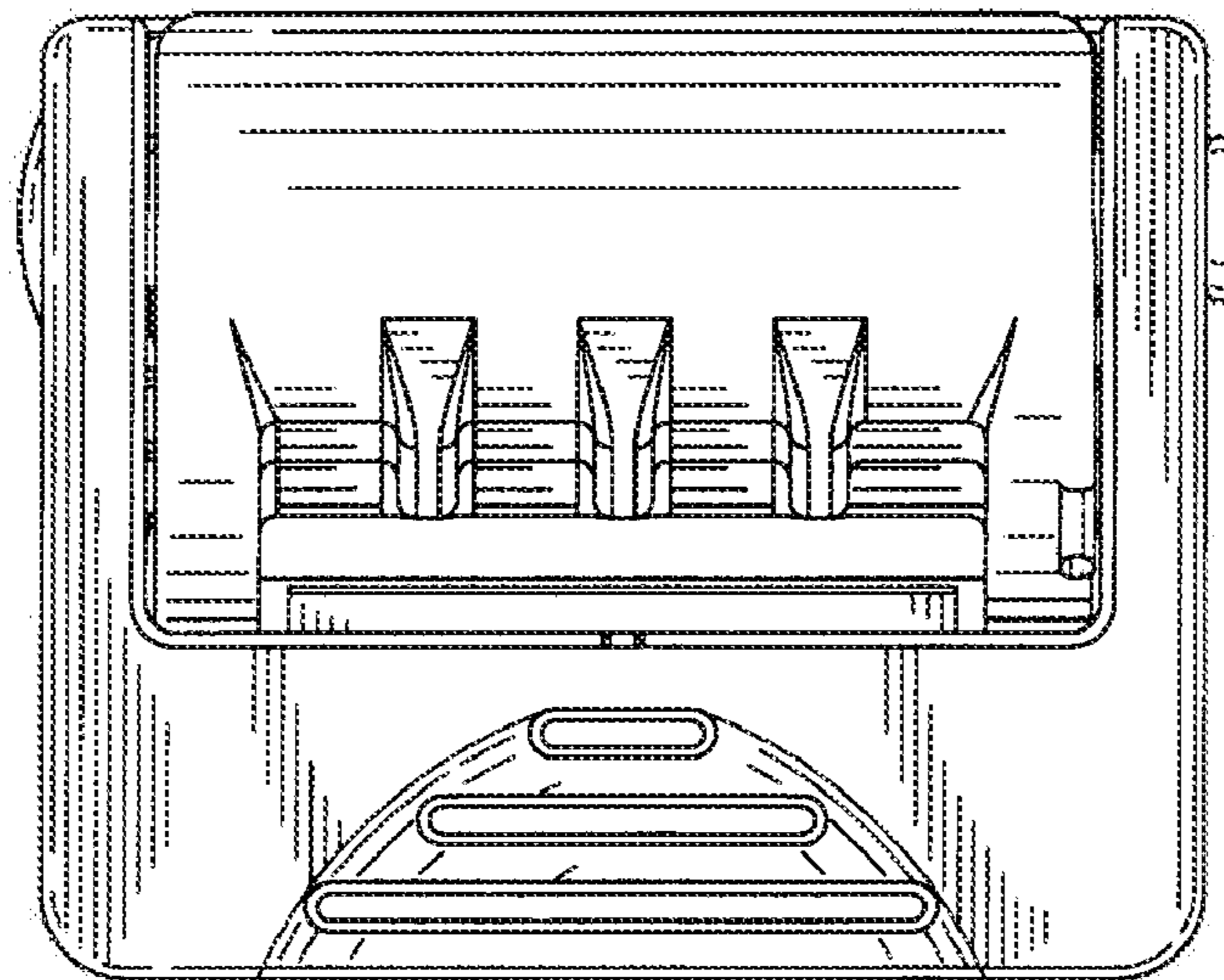
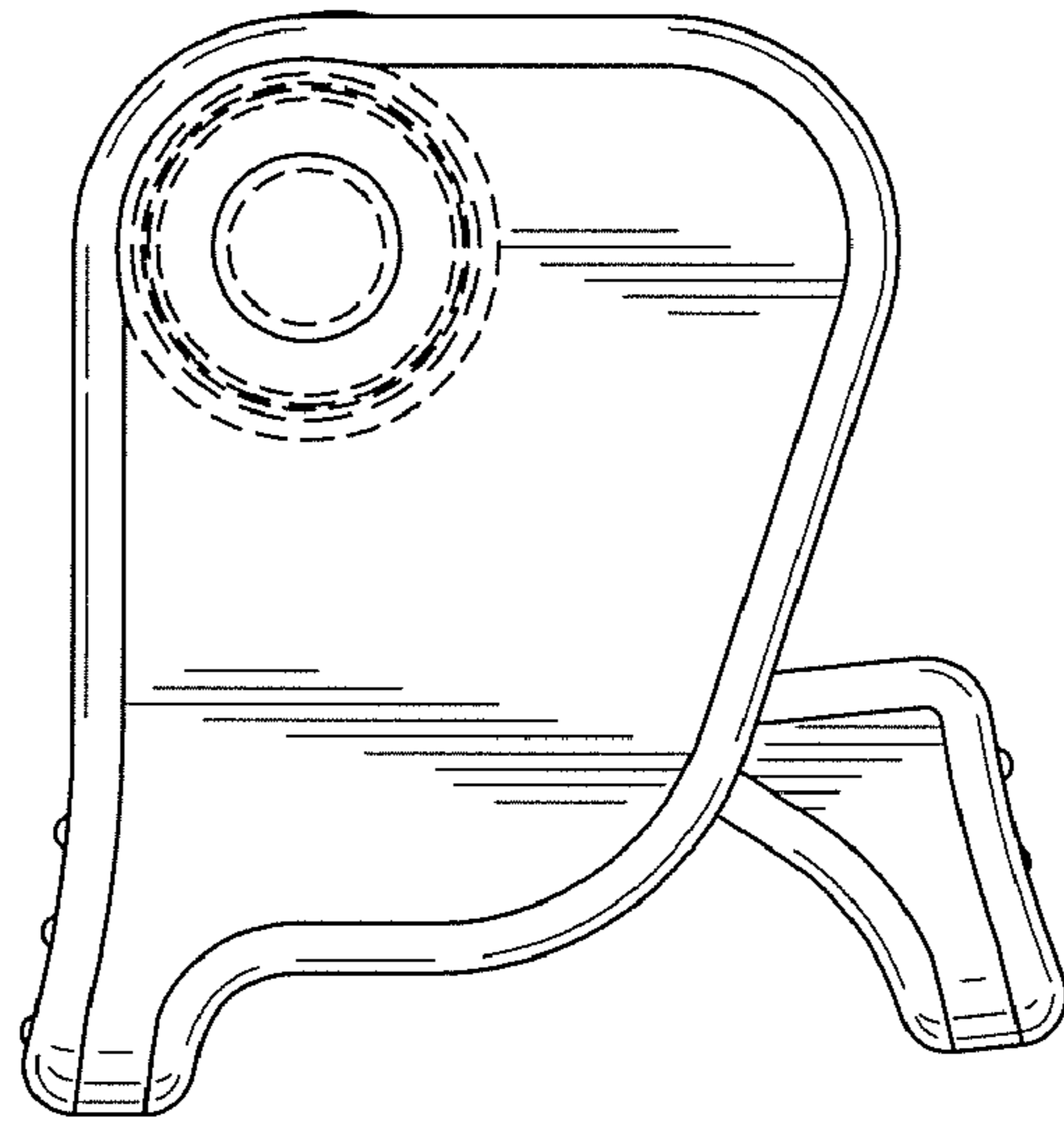
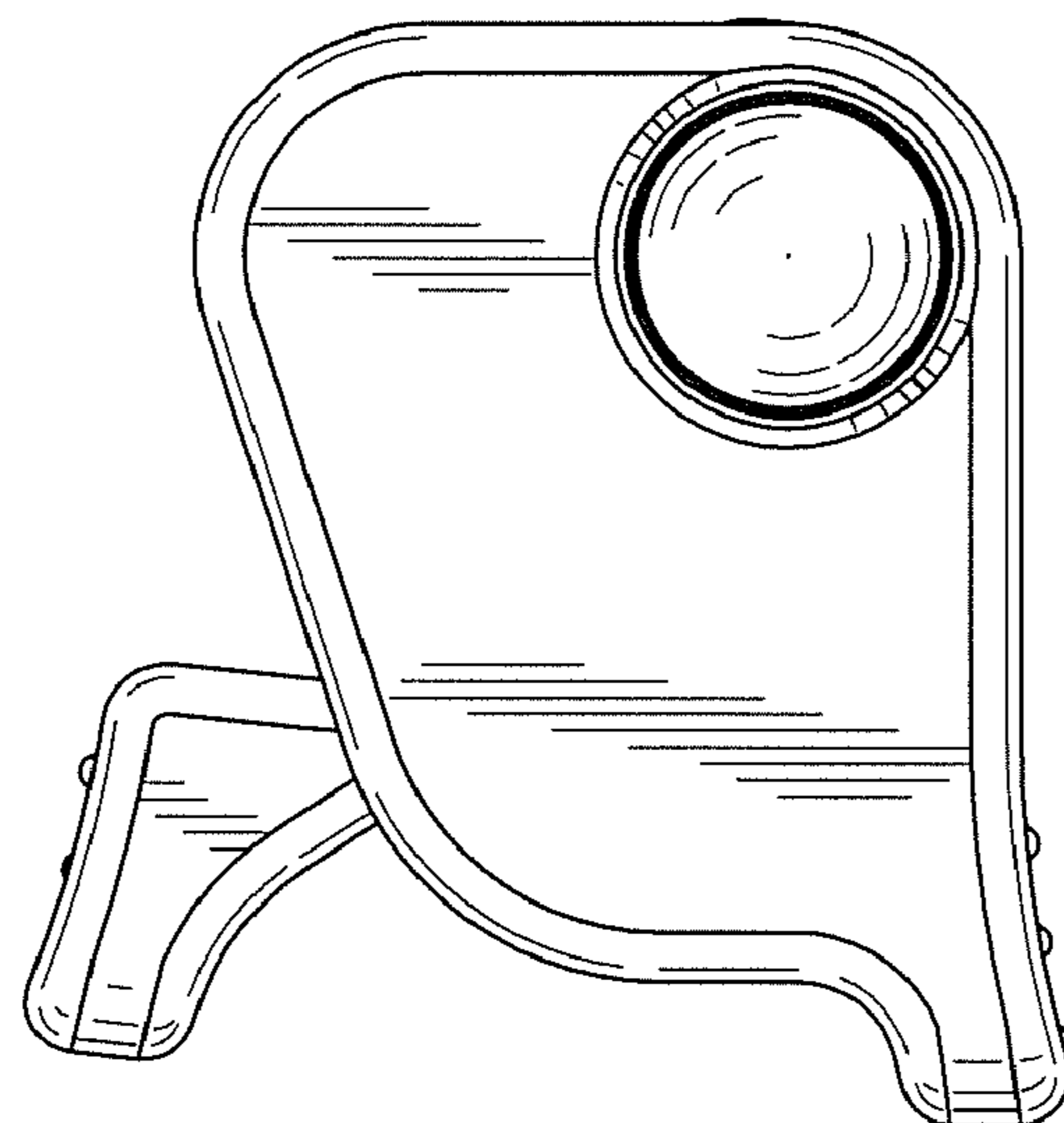


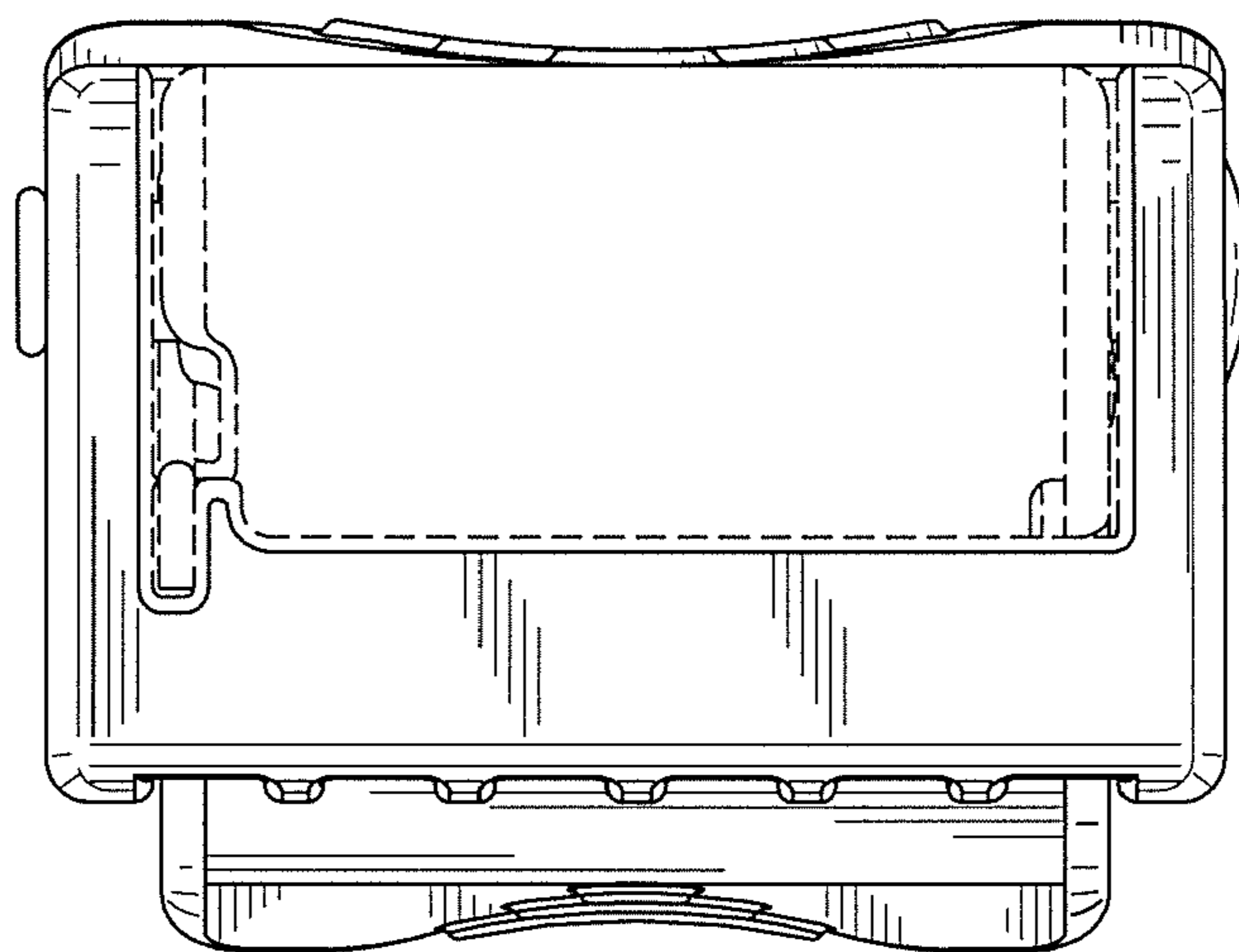
FIG. 3



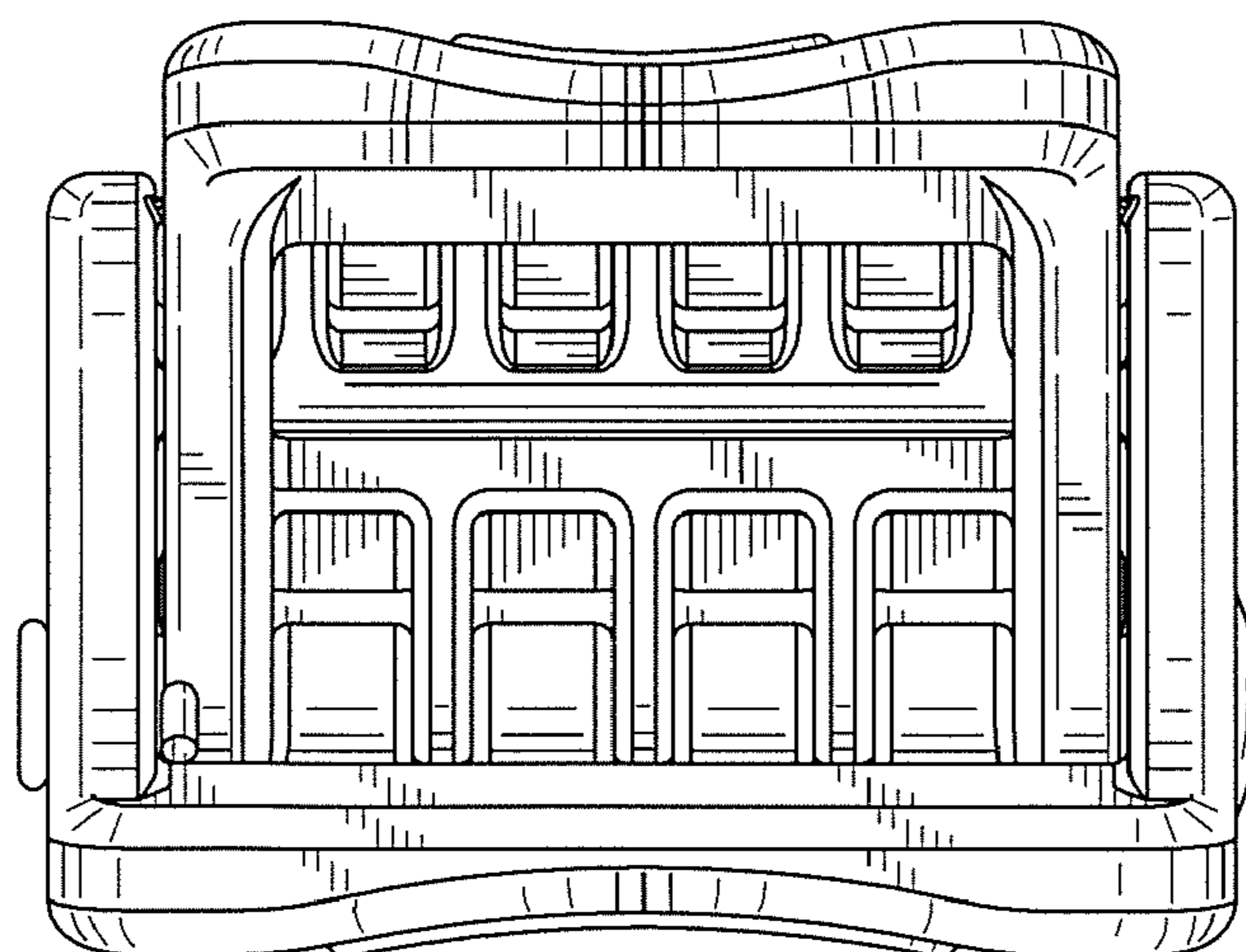
F I G. 4



F I G. 5



F I G. 6



F I G. 7