



US00D640409S

(12) **United States Design Patent**
Lin

(10) **Patent No.:** **US D640,409 S**

(45) **Date of Patent:** **** Jun. 21, 2011**

(54) **PROJECTION LAMP**

(76) Inventor: **Shan Chiang Lin**, Taoyuan (TW)

(**) Term: **14 Years**

(21) Appl. No.: **29/362,457**

(22) Filed: **May 26, 2010**

(51) **LOC (9) Cl.** **23-03**

(52) **U.S. Cl.** **D26/93**

(58) **Field of Classification Search** D26/1,
D26/24, 67-6, 93-94, 101, 104-110, 113,
D26/118; 362/3, 153, 186, 217, 255, 257,
362/277, 317, 351, 353, 362, 382, 431, 433,
362/458, 806

See application file for complete search history.

(56) **References Cited**

U.S. PATENT DOCUMENTS

D258,918 S * 4/1981 Miller, Jr. D26/93
D269,464 S * 6/1983 Caroli D26/28

D322,136 S * 12/1991 Shima et al. D26/28
D327,953 S * 7/1992 Jordan D26/28
D420,458 S * 2/2000 Guercio D26/63
D619,751 S * 7/2010 Zemel D26/93

* cited by examiner

Primary Examiner — Brian N Vinson

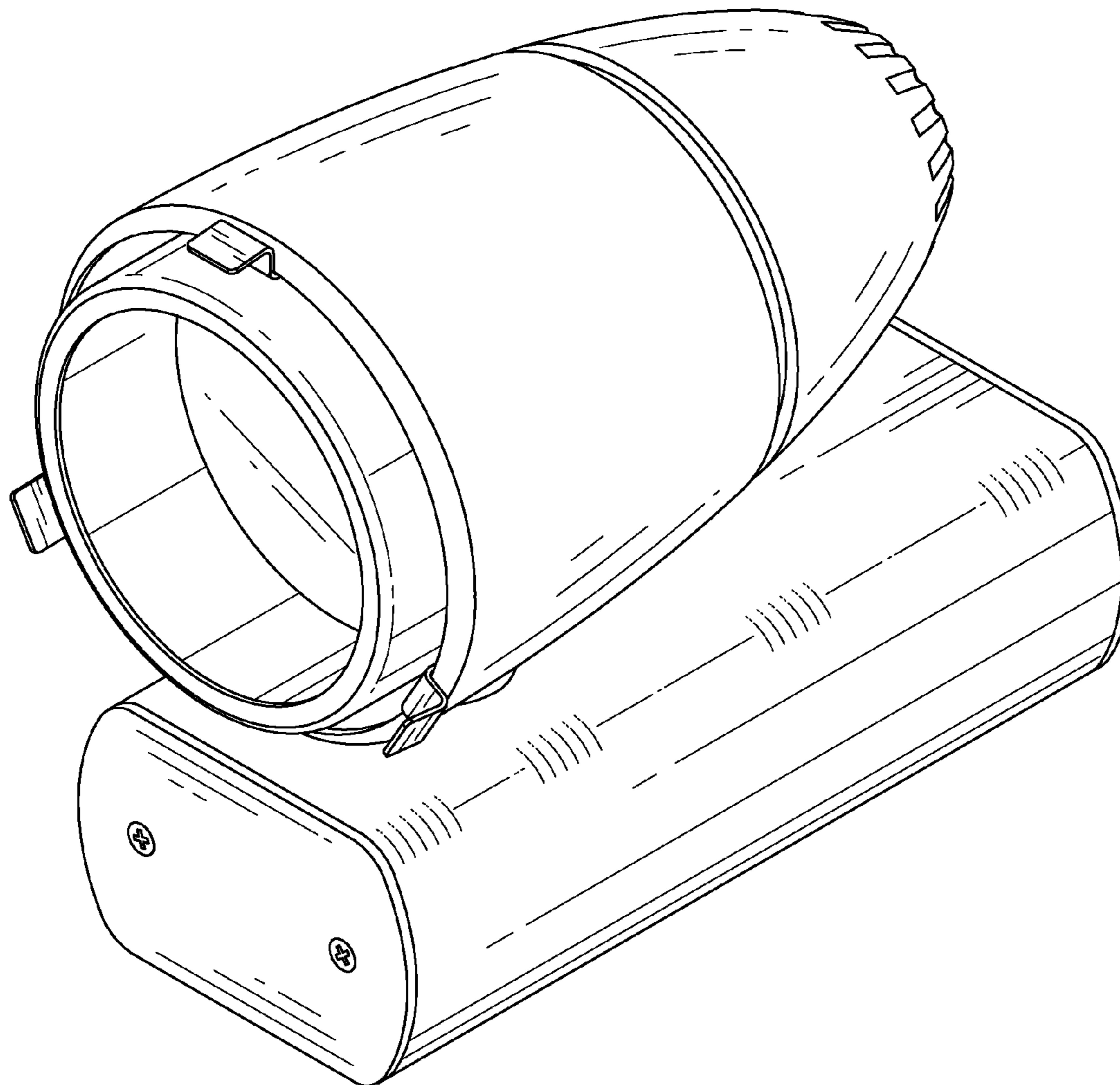
(57) **CLAIM**

The ornamental design for a projection lamp, as shown.

DESCRIPTION

FIG. 1 is a front perspective view of a projection lamp showing my new design;
FIG. 2 is a front elevational view thereof;
FIG. 3 is a rear elevational view thereof;
FIG. 4 is a left side elevational view thereof;
FIG. 5 is a right side elevational view thereof;
FIG. 6 is a top plan view thereof; and,
FIG. 7 is a bottom plan view thereof.

1 Claim, 7 Drawing Sheets



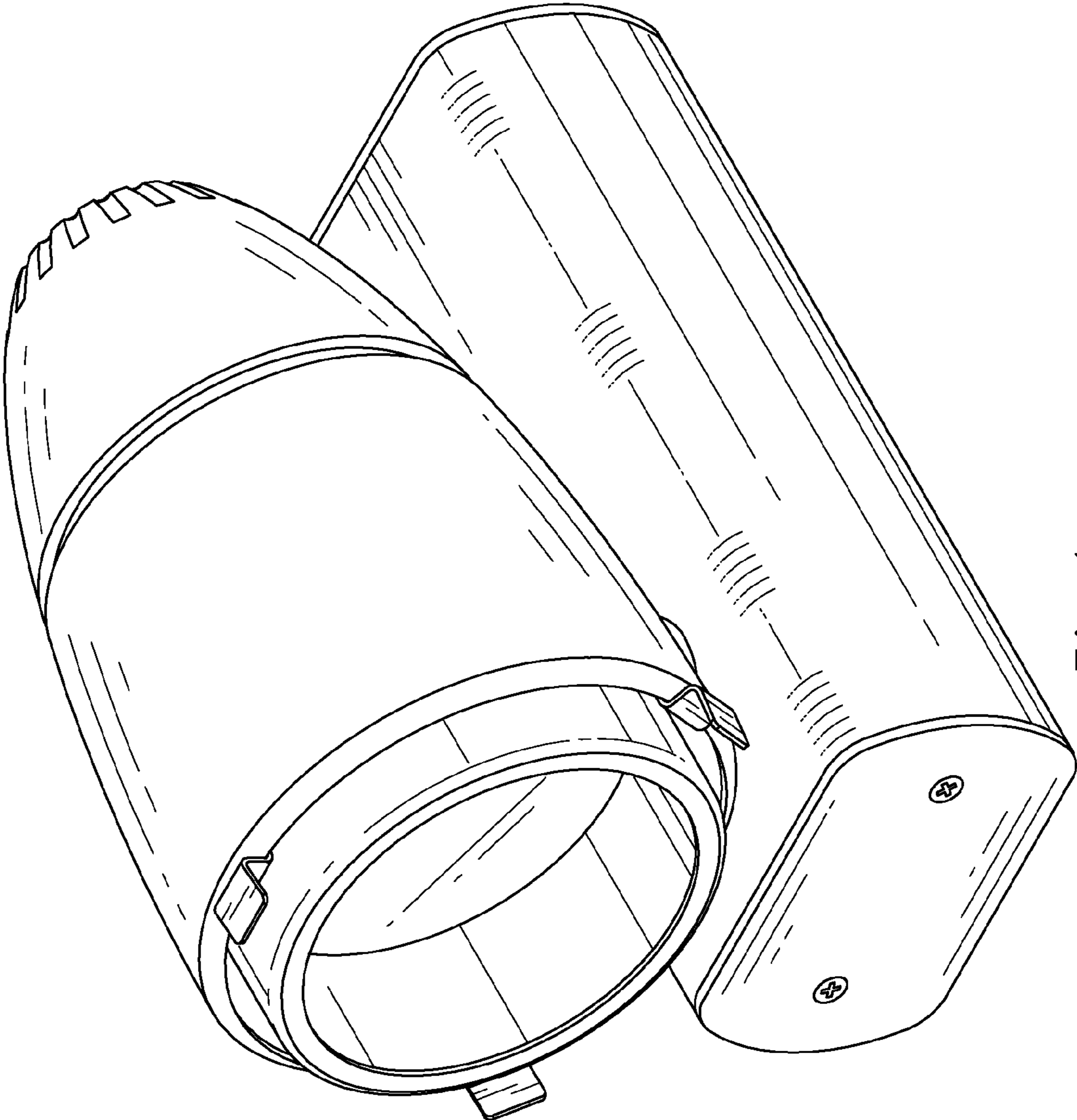


Fig. 1

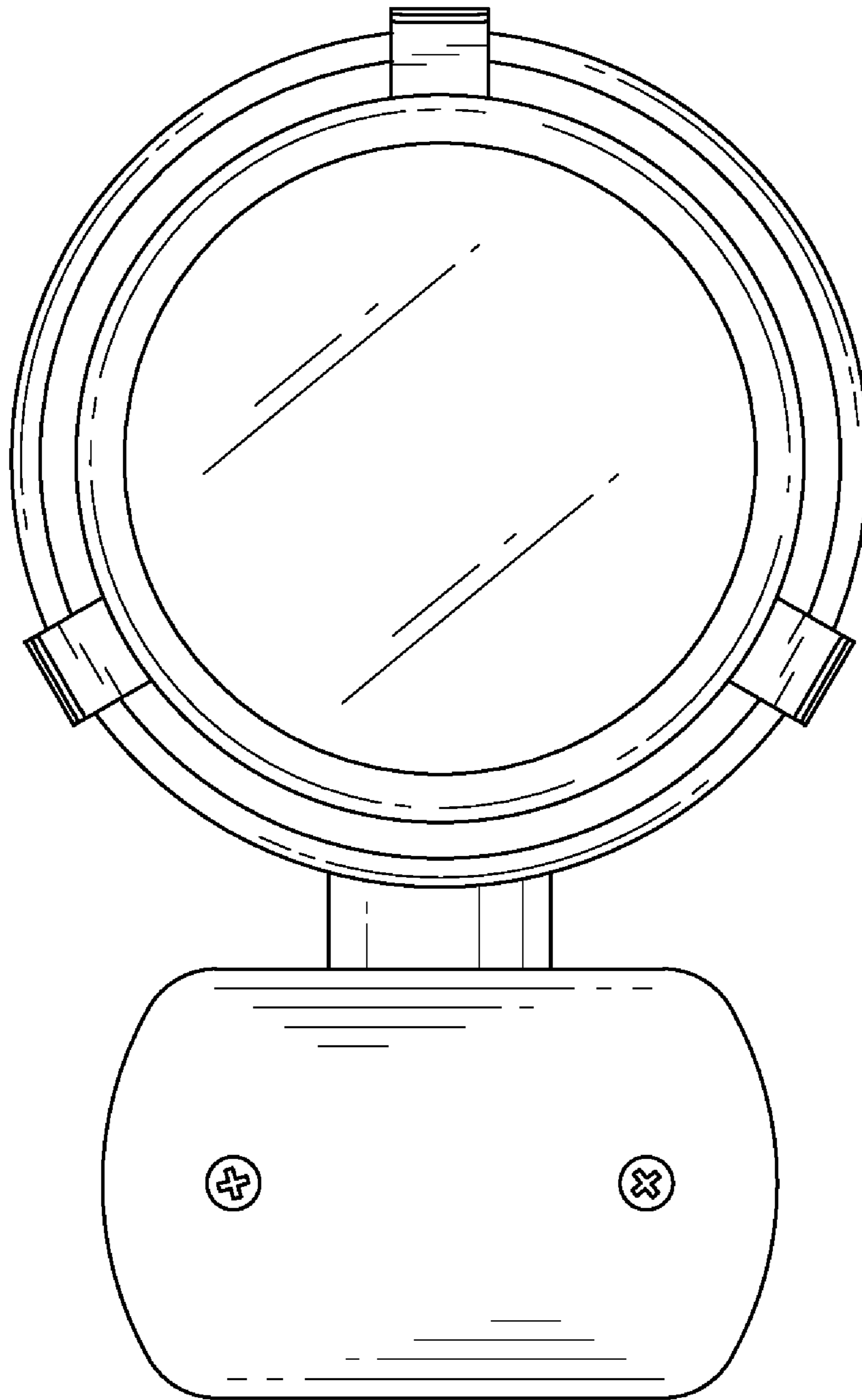


Fig. 2

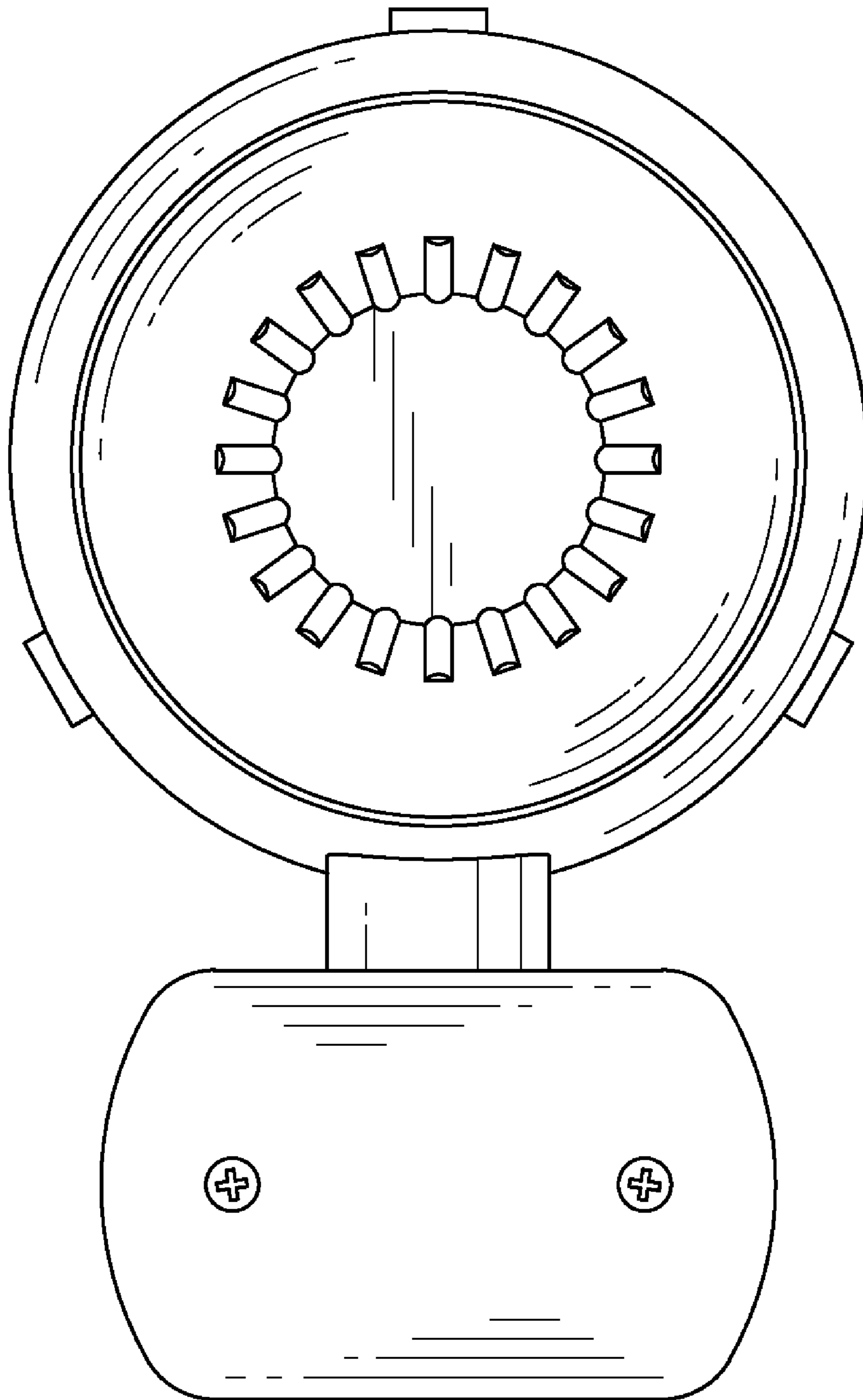


Fig. 3

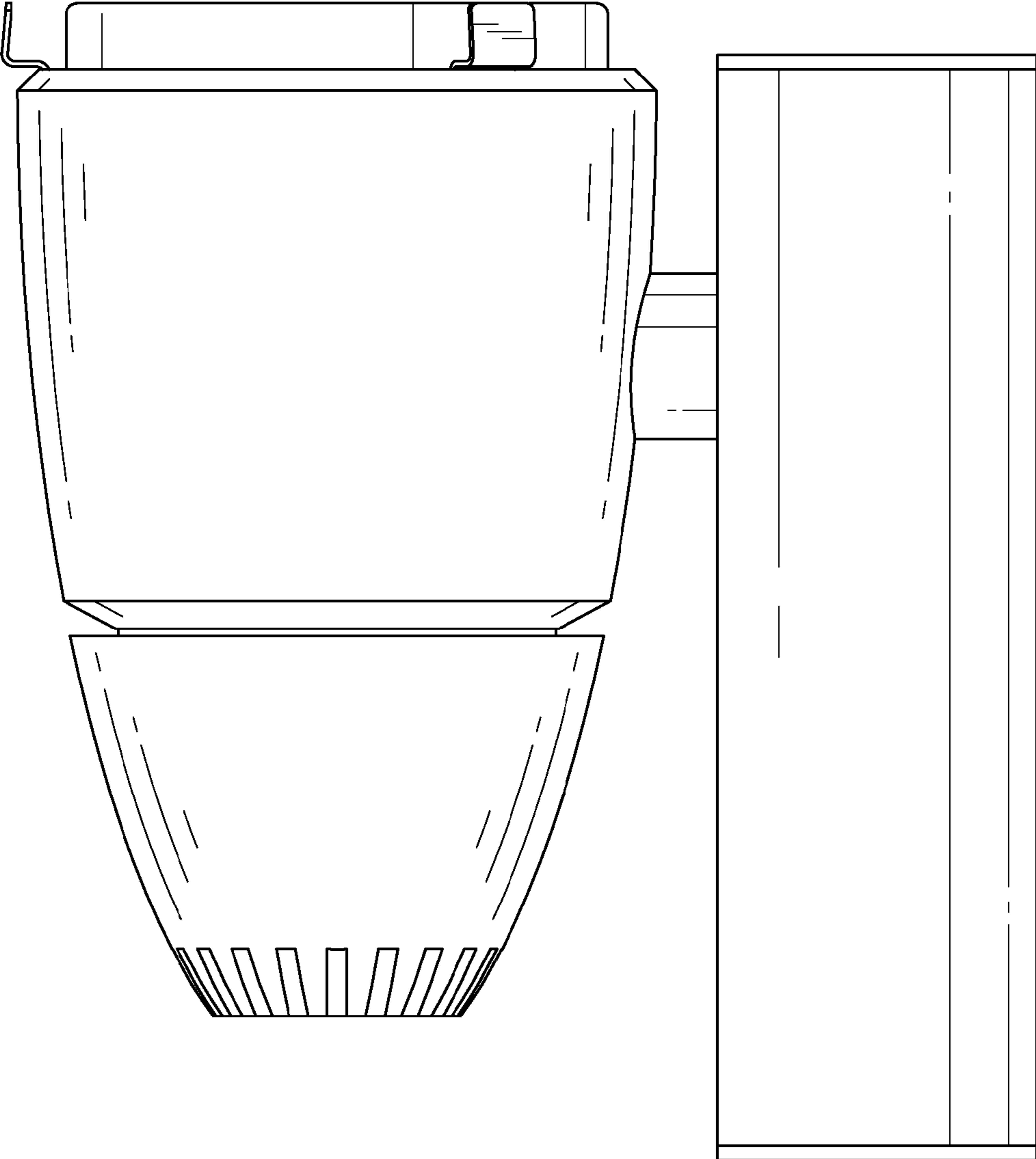


Fig. 4

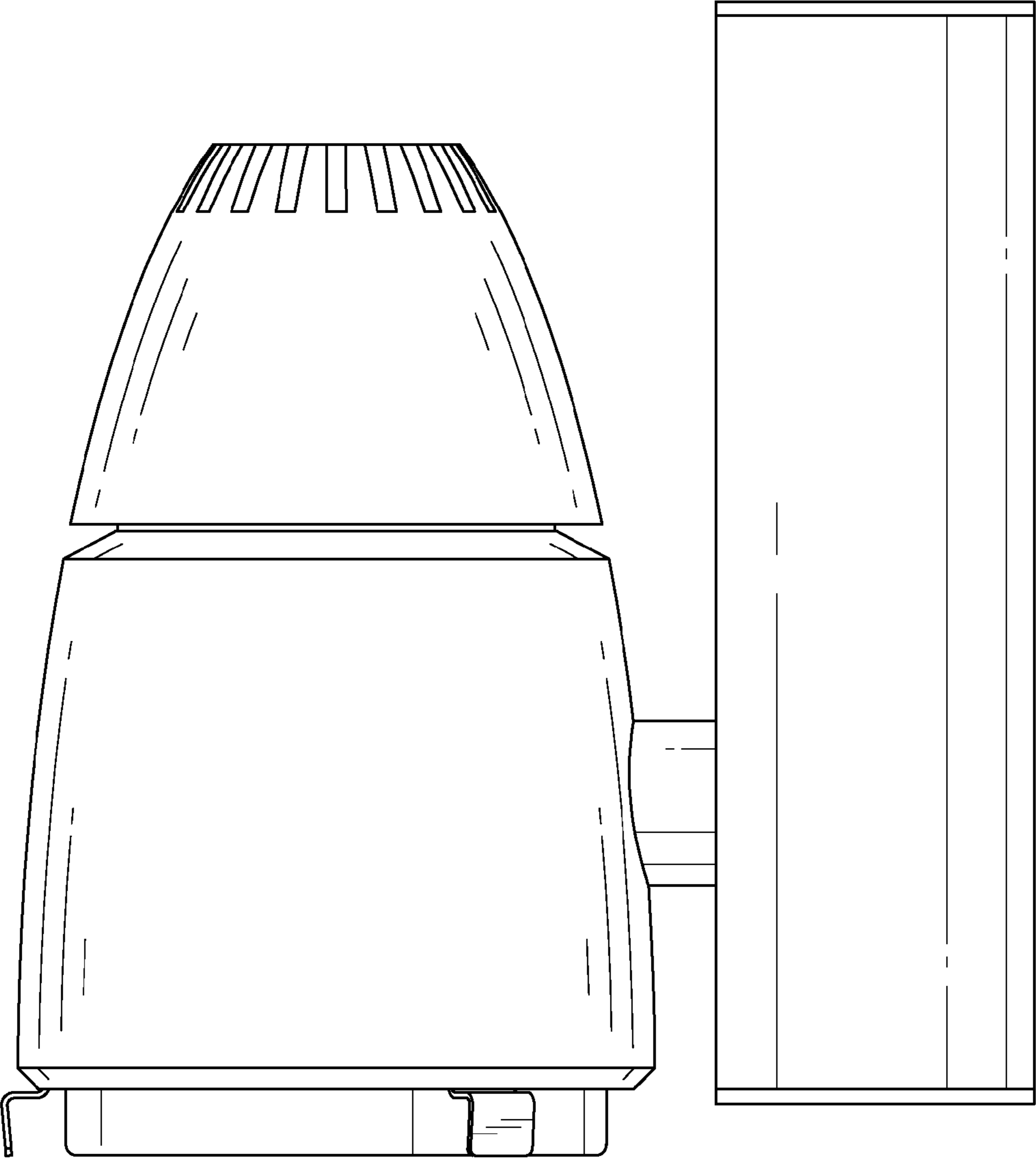


Fig. 5

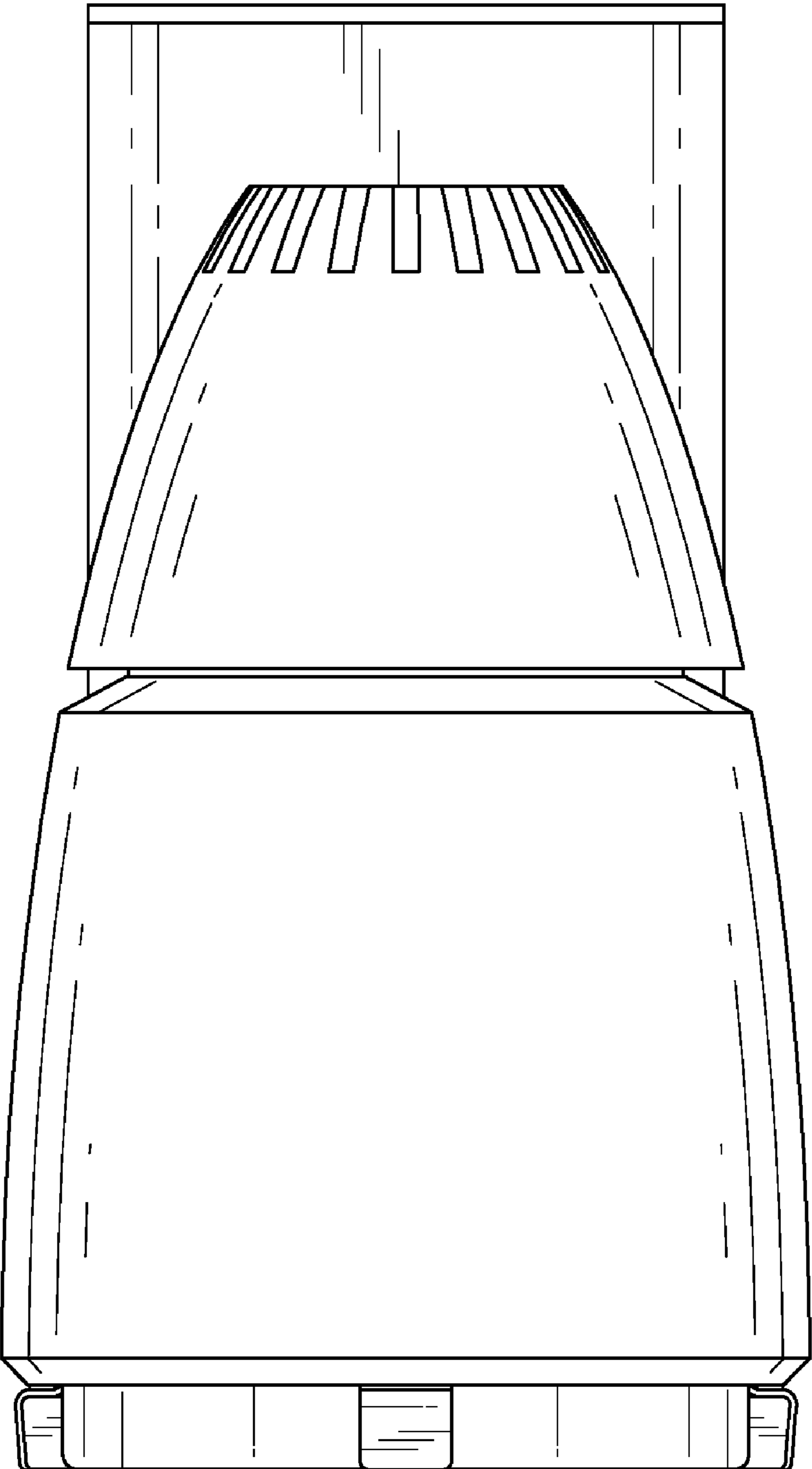


Fig. 6

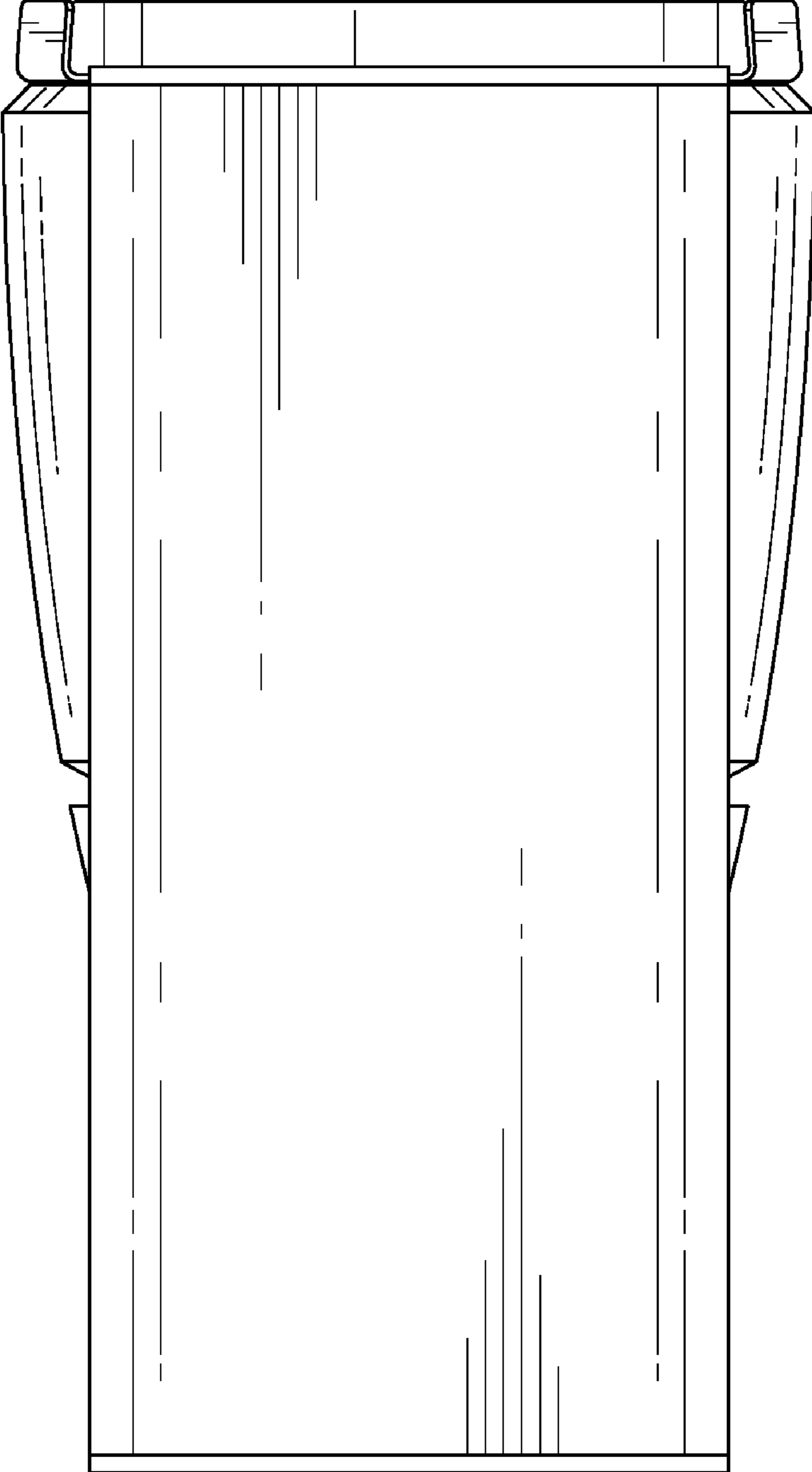


Fig. 7