



US00D640408S

(12) **United States Design Patent**
Chung

(10) **Patent No.:** **US D640,408 S**

(45) **Date of Patent:** **** Jun. 21, 2011**

(54) **CAMP LAMP**

(76) Inventor: **Kiosky Chung**, Taichung (TW)

(**) Term: **14 Years**

(21) Appl. No.: **29/341,592**

(22) Filed: **Aug. 9, 2009**

(51) **LOC (9) Cl.** **26-05**

(52) **U.S. Cl.** **D26/68**

(58) **Field of Classification Search** D26/37,
D26/40, 68; 362/153, 153.1, 157, 164, 171-174,
362/185, 186, 194, 315, 431

See application file for complete search history.

(56) **References Cited**

U.S. PATENT DOCUMENTS

5,506	A *	4/1848	Sutton	362/159
D21,421	S *	3/1892	Wright	D26/40
1,067,965	A *	7/1913	Bergener	362/159
D105,656	S *	8/1937	Federico	D26/40
2,769,899	A *	11/1956	McInnis	362/159
3,941,554	A *	3/1976	Curtis	431/89
4,321,656	A *	3/1982	Gruver, Jr.	362/180
5,228,771	A *	7/1993	Zimmerman	362/171
6,042,366	A *	3/2000	Long et al.	431/142
D426,662	S *	6/2000	Taniguchi et al.	D26/40
D440,677	S *	4/2001	Long et al.	D26/40
D443,087	S *	5/2001	Israel et al.	D26/40
D465,044	S *	10/2002	Hsieh	D26/40

6,846,091	B2 *	1/2005	Long	362/159
D537,966	S *	3/2007	Lo et al.	D26/40
D541,453	S *	4/2007	Lau	D26/40
D553,272	S *	10/2007	Leung	D26/37
D555,266	S *	11/2007	Claassen	D26/40
D556,929	S *	12/2007	Tarter et al.	D26/40
D564,112	S *	3/2008	Jen	D26/40
D576,329	S *	9/2008	Poon	D26/40

* cited by examiner

Primary Examiner — Clare E Heflin

(57) **CLAIM**

I claim the ornamental design for a camp lamp, as shown and described.

DESCRIPTION

FIG. 1 is a perspective view of a camp lamp, showing my new design;

FIG. 2 is a front elevational view thereof;

FIG. 3 is a rear elevational view thereof;

FIG. 4 is a left side elevational view thereof;

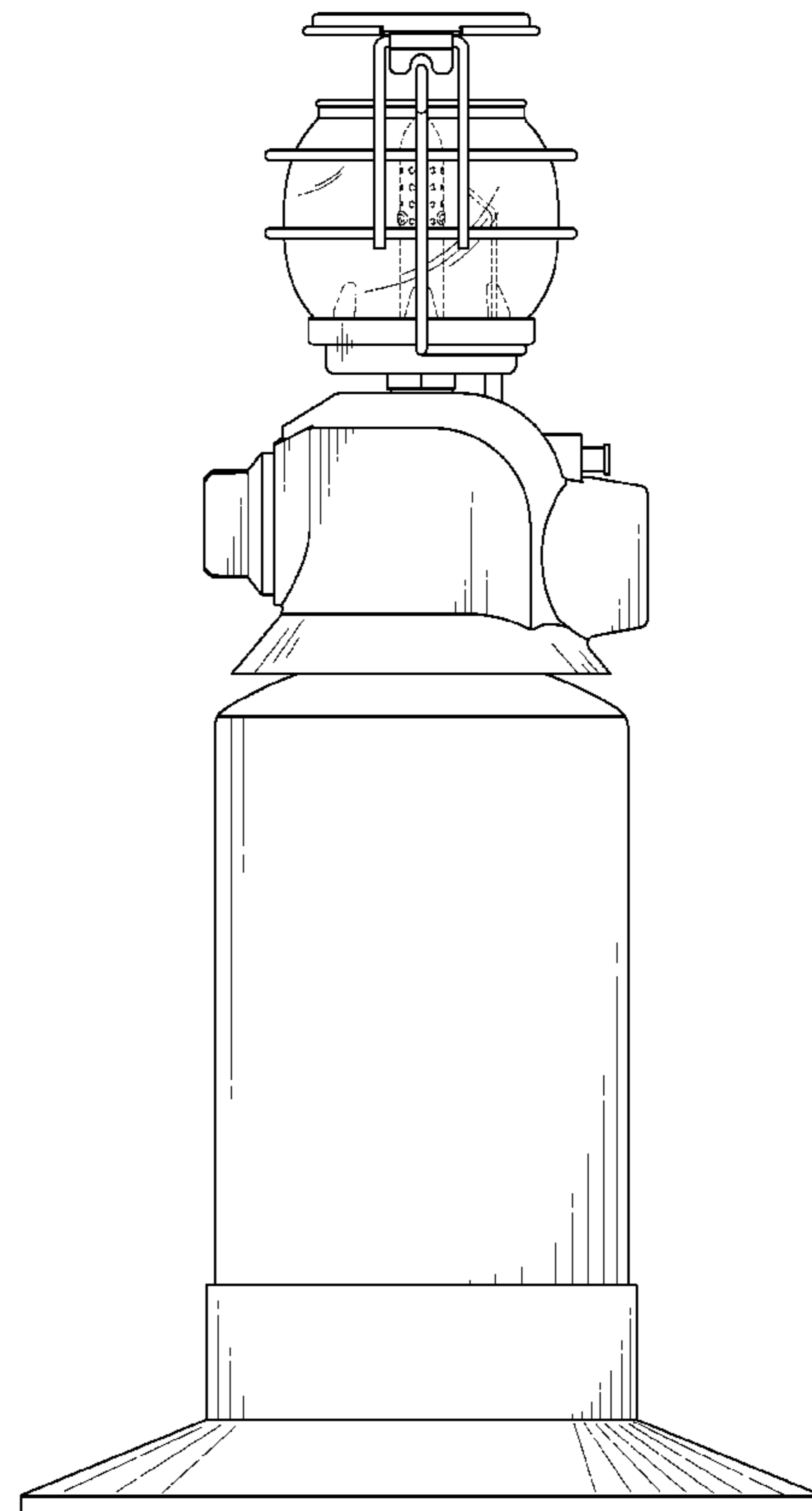
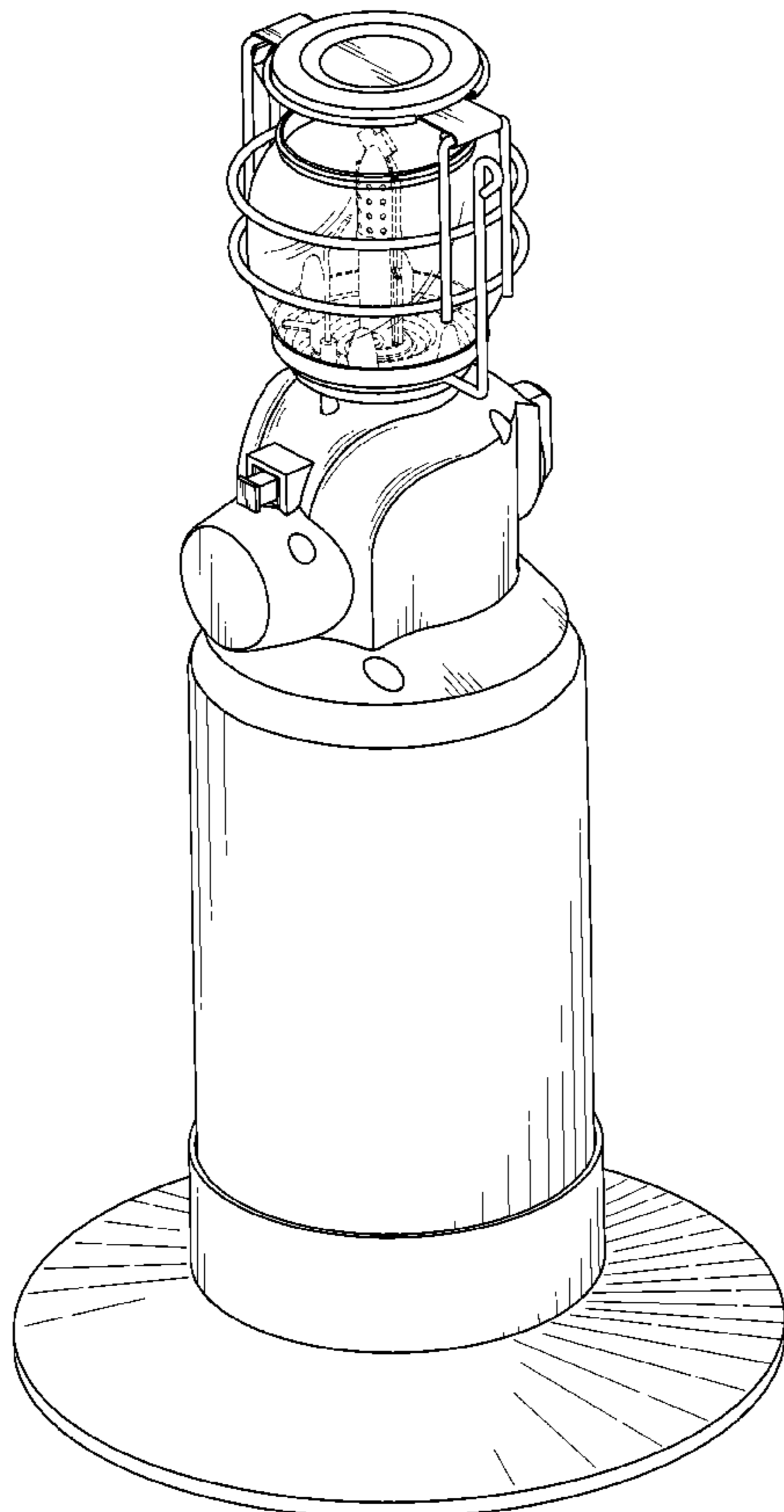
FIG. 5 is a right side elevational view thereof;

FIG. 6 is a top plan view thereof; and,

FIG. 7 is a bottom plan view thereof.

The broken lines shown in the drawings are for the purpose of illustrating unclaimed portions of the camp lamp and form no part of the claimed design.

1 Claim, 7 Drawing Sheets



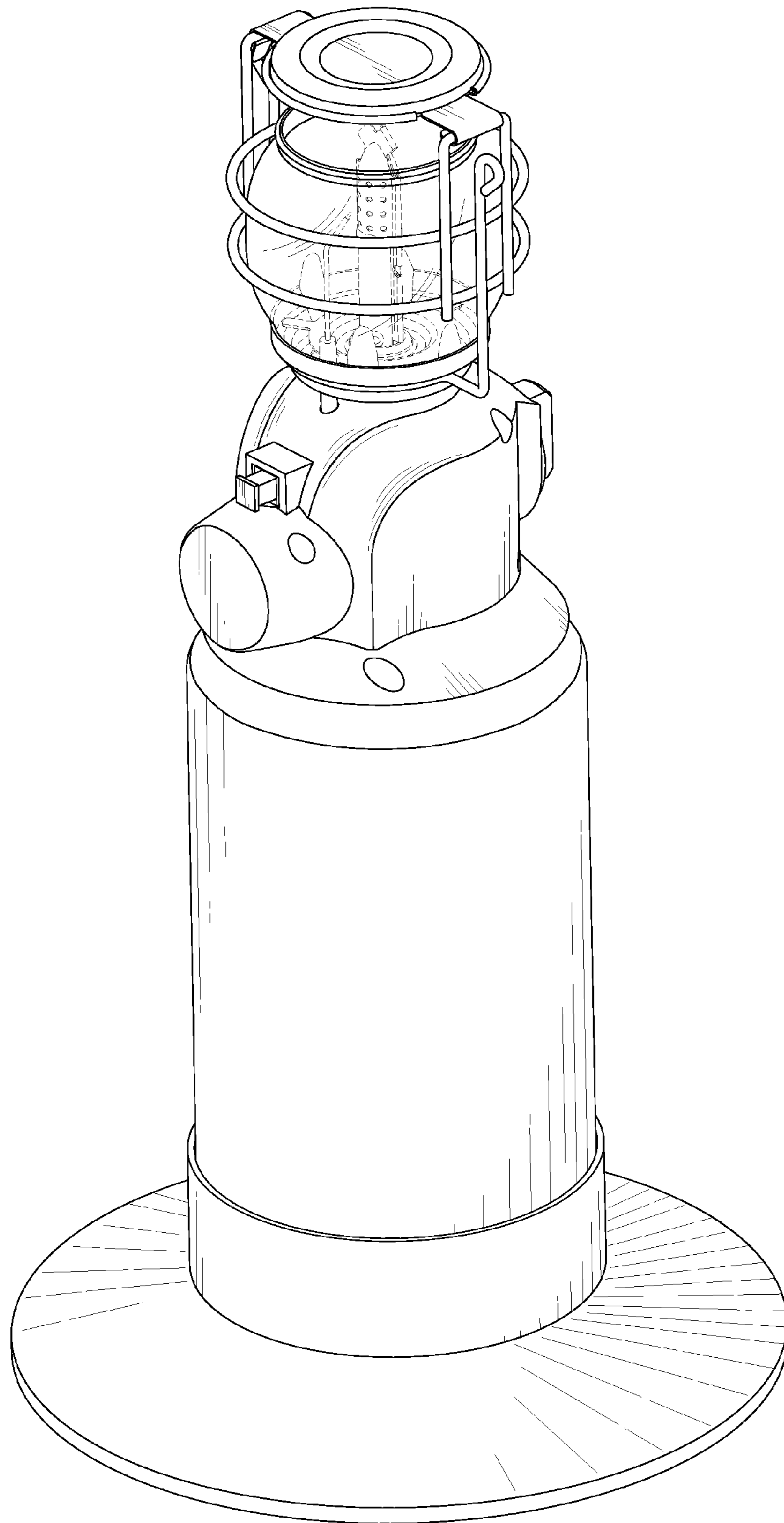


FIG. 1

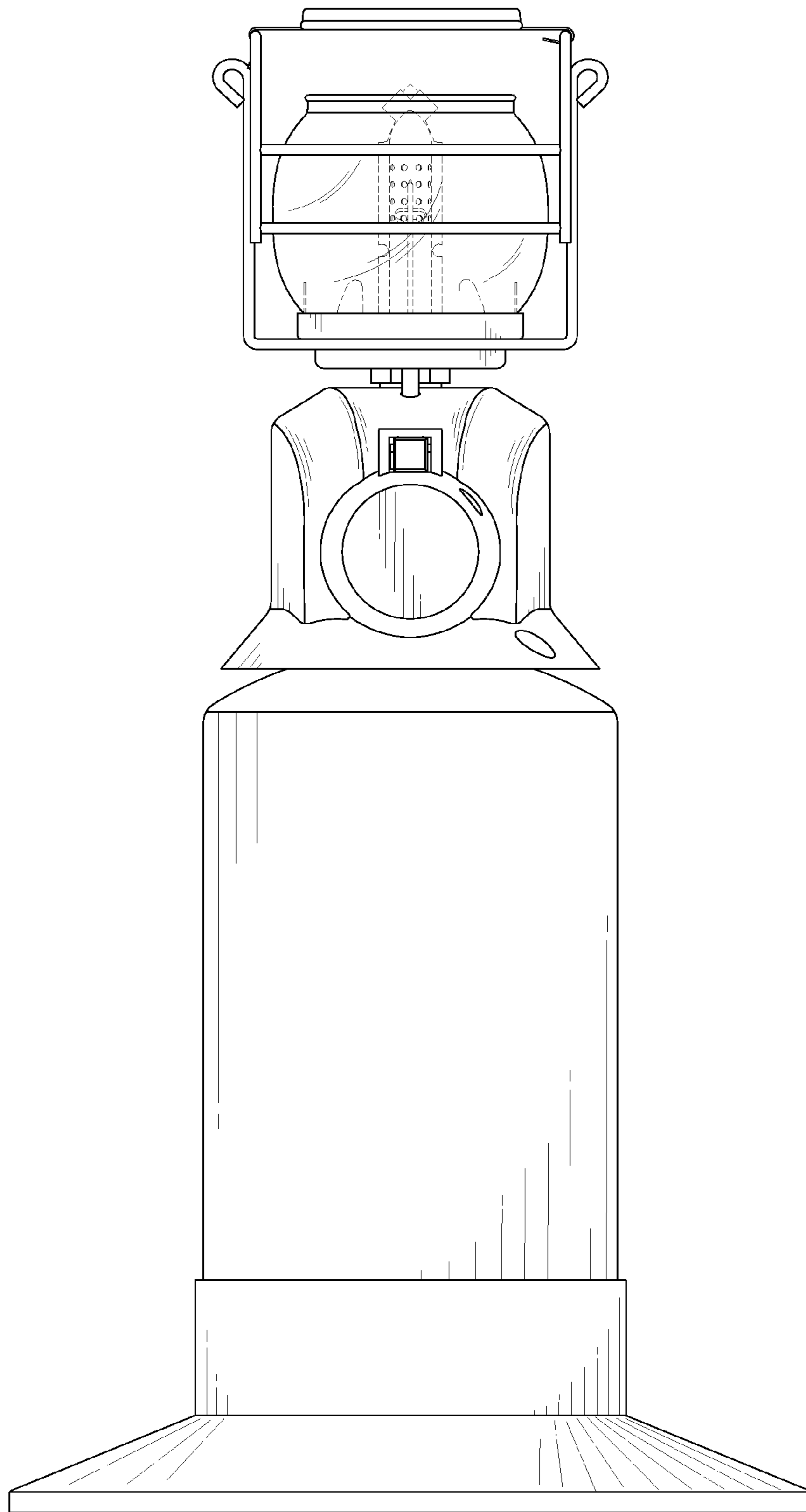


FIG. 2

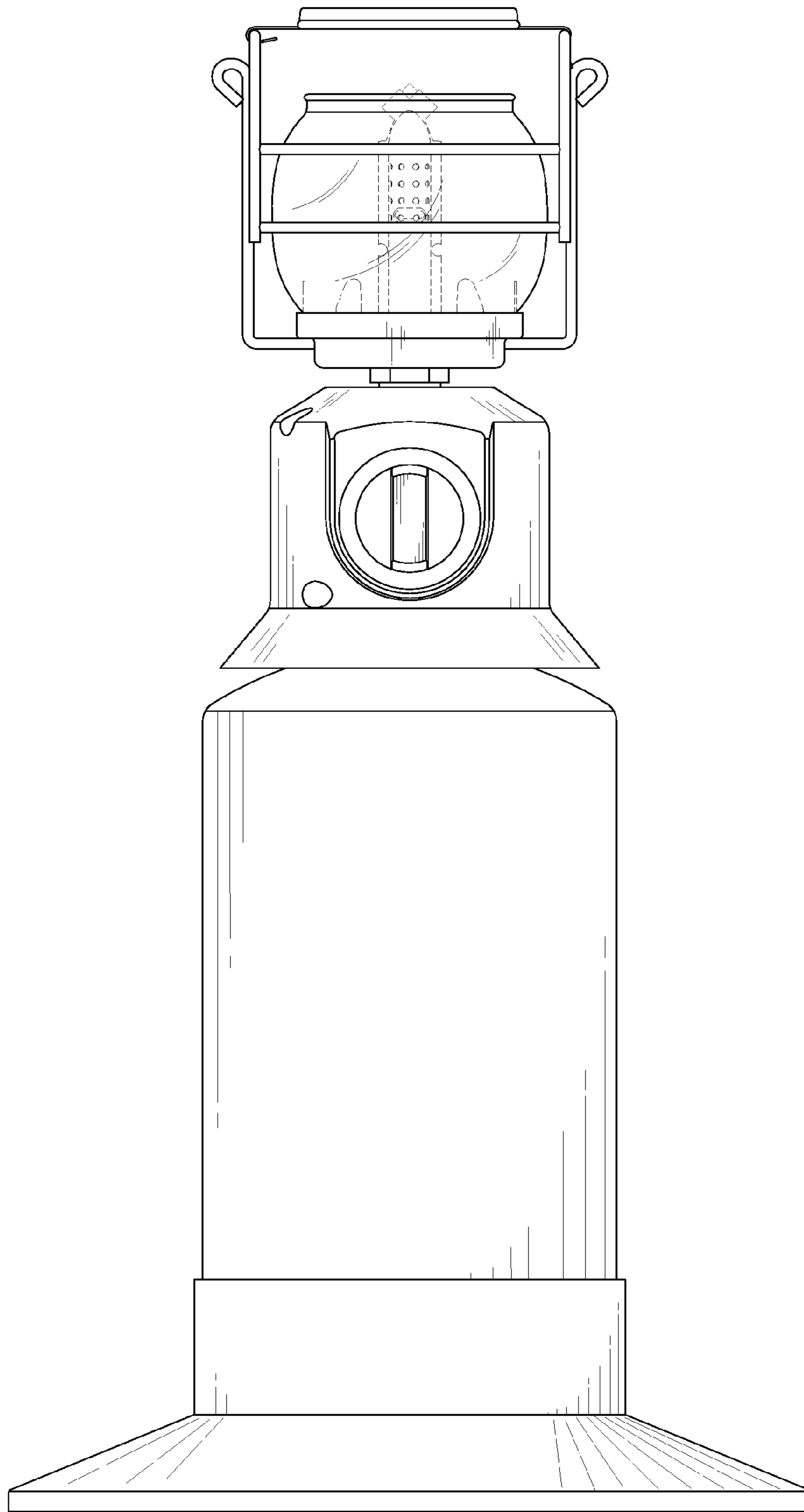


FIG. 3

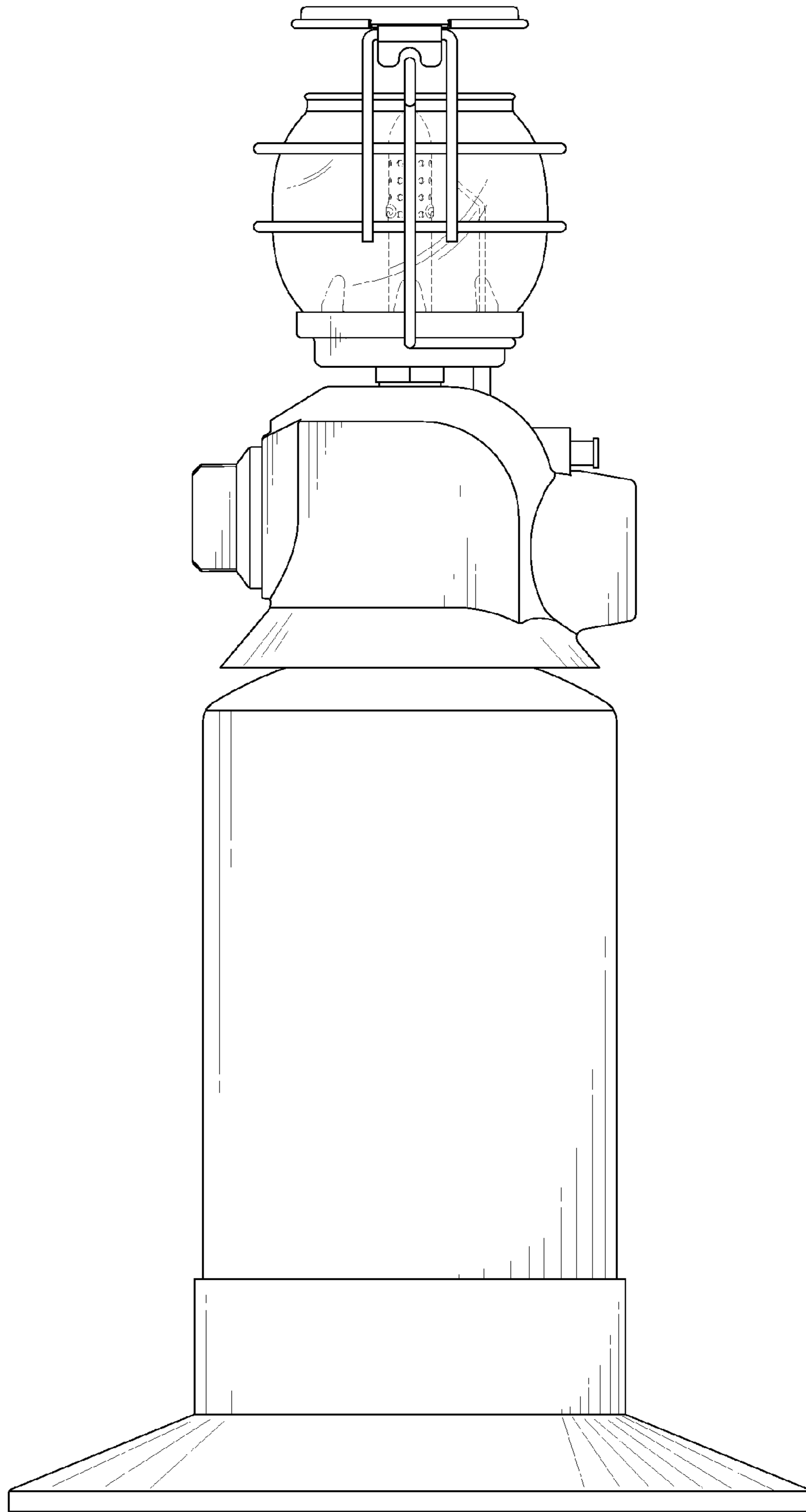


FIG. 4

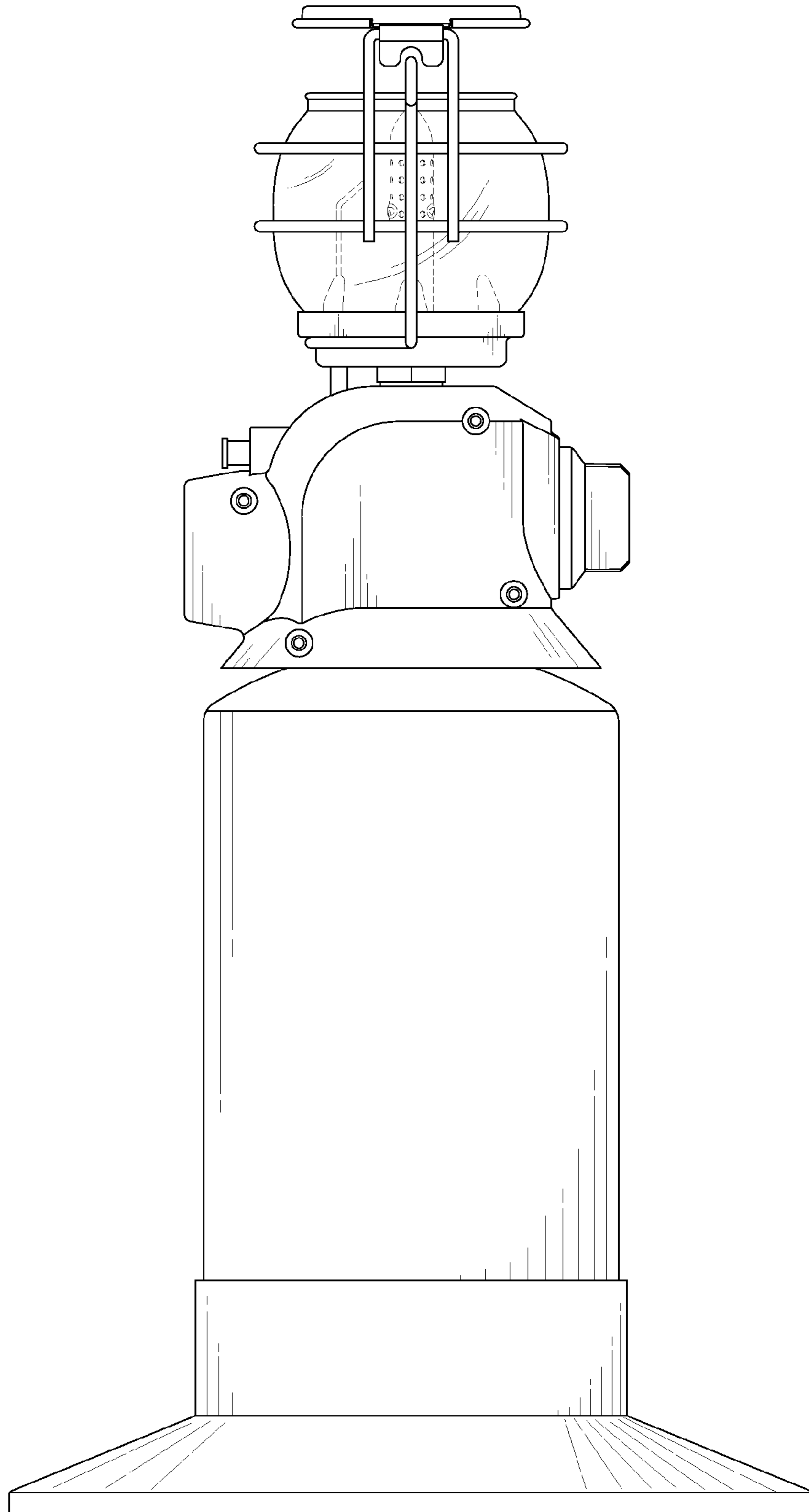


FIG. 5

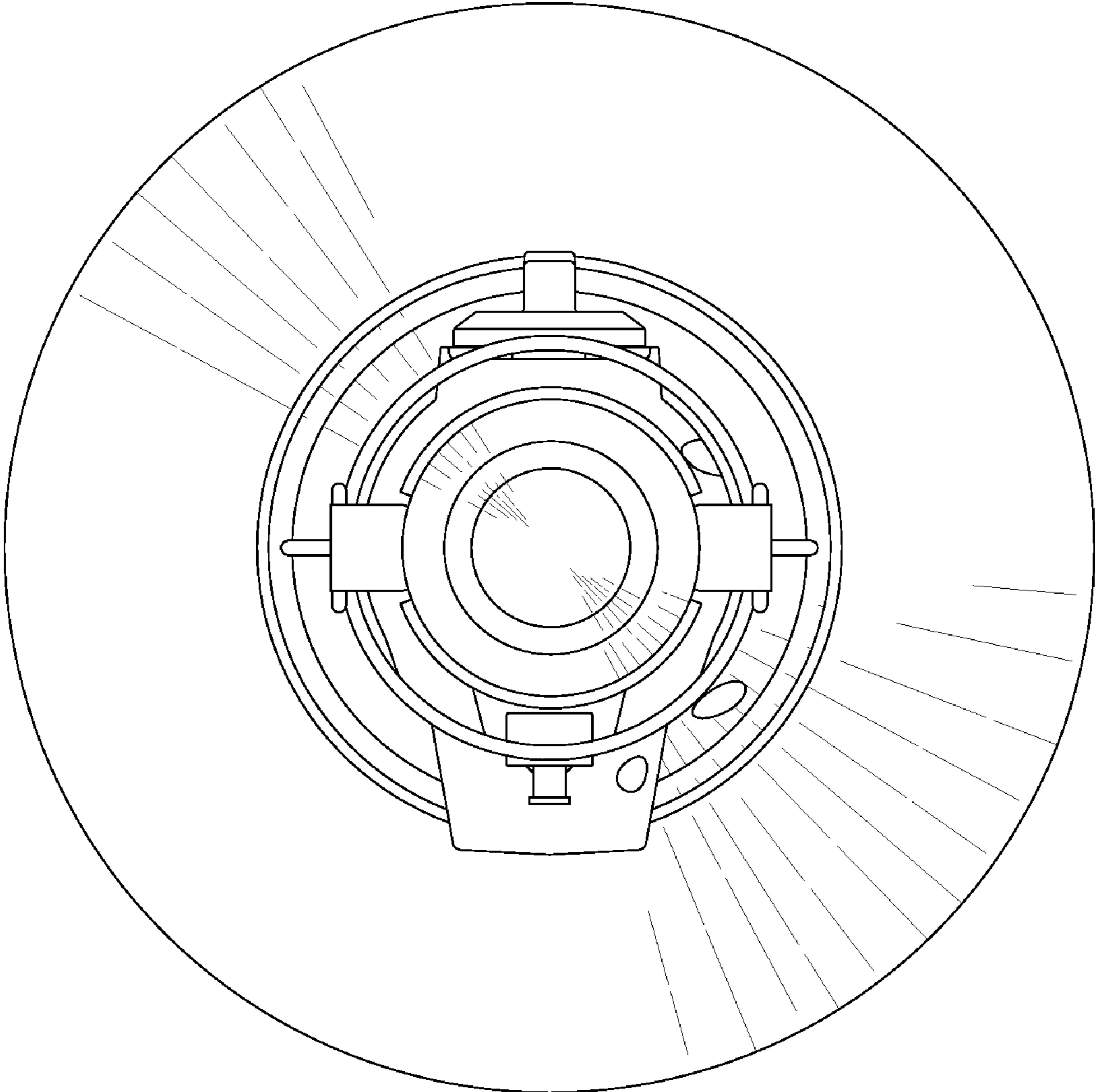


FIG. 6

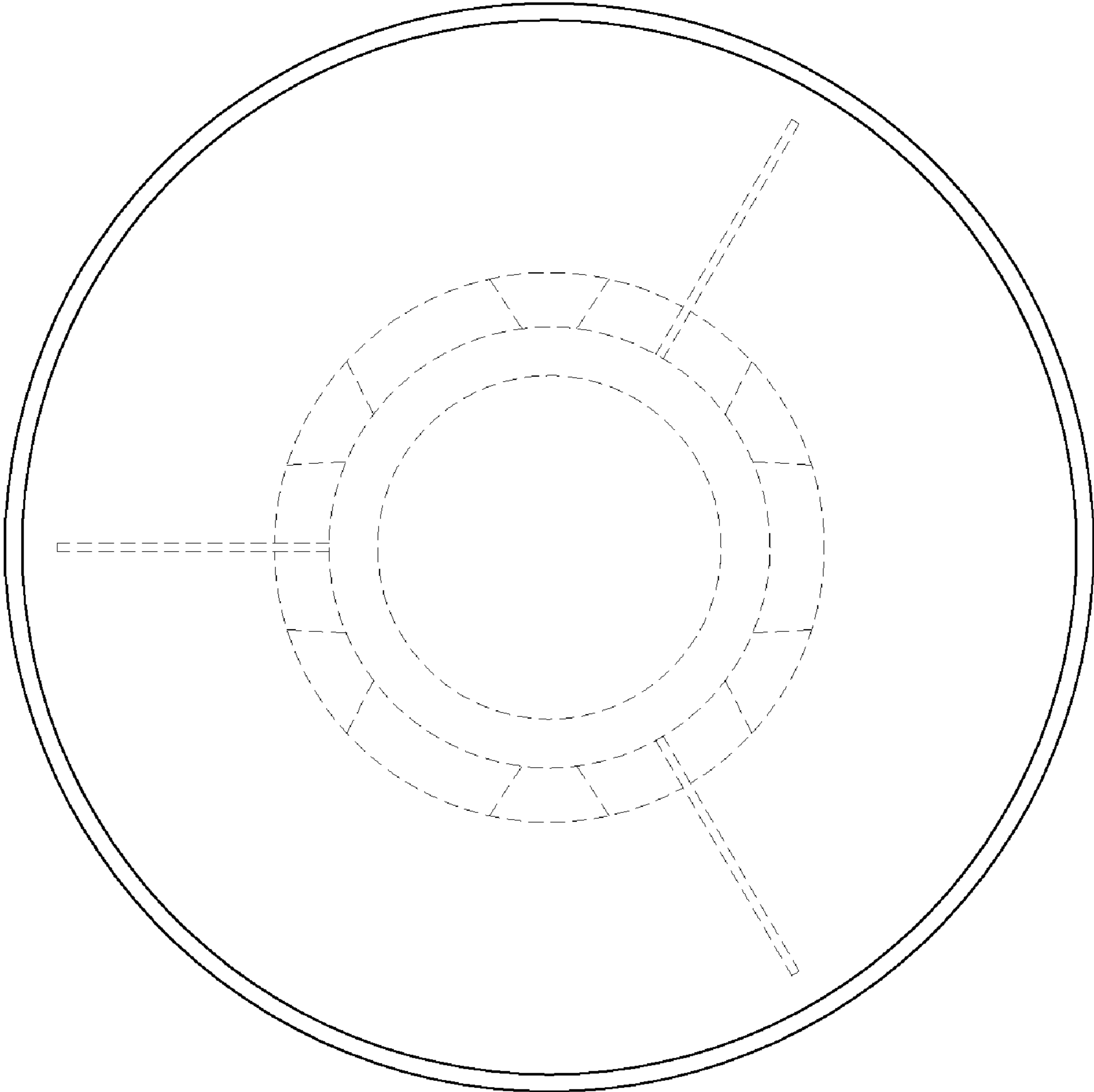


FIG. 7