



US00D640407S

(12) **United States Design Patent**  
**Chen**

(10) **Patent No.:** **US D640,407 S**

(45) **Date of Patent:** **\*\* Jun. 21, 2011**

(54) **LANDSCAPE LIGHT**

(76) Inventor: **Chia-Teh Chen**, Taipei (TW)

(\*\*) Term: **14 Years**

(21) Appl. No.: **29/381,433**

(22) Filed: **Dec. 20, 2010**

(51) **LOC (9) Cl.** ..... **26-05**

(52) **U.S. Cl.** ..... **D26/67; D26/68**

(58) **Field of Classification Search** ..... D26/67-71,  
D26/85, 128, 131, 134; 362/152, 153, 153.1,  
362/180, 183, 431, 653

See application file for complete search history.

(56) **References Cited**

**U.S. PATENT DOCUMENTS**

D195,990 S *	8/1963	Pettengill	.....	D26/67
D378,435 S *	3/1997	Trombley	.....	D26/68
D447,589 S *	9/2001	Dolan	.....	D26/67
D458,702 S *	6/2002	Ellis	.....	D26/68
D491,685 S *	6/2004	Pu	.....	D26/67
D494,699 S *	8/2004	Hon et al.	.....	D26/67
D504,746 S *	5/2005	Lee	.....	D26/67
D553,284 S *	10/2007	Bucher et al.	.....	D26/67
D553,780 S *	10/2007	Bucher et al.	.....	D26/67

D557,848 S *	12/2007	Chen	.....	D26/67
D564,690 S *	3/2008	Chung et al.	.....	D26/67
D565,226 S *	3/2008	Gou	.....	D26/67
D625,874 S *	10/2010	Sanoner	.....	D26/67

\* cited by examiner

*Primary Examiner* — Clare E Heflin

(74) *Attorney, Agent, or Firm* — Rosenberg, Klein & Lee

(57) **CLAIM**

The ornamental design for a “landscape light,” as shown and described.

**DESCRIPTION**

FIG. 1 is a perspective view of a “landscape light” showing my design;

FIG. 2 is a front view thereof;

FIG. 3 is a rear view thereof;

FIG. 4 is a left side view thereof;

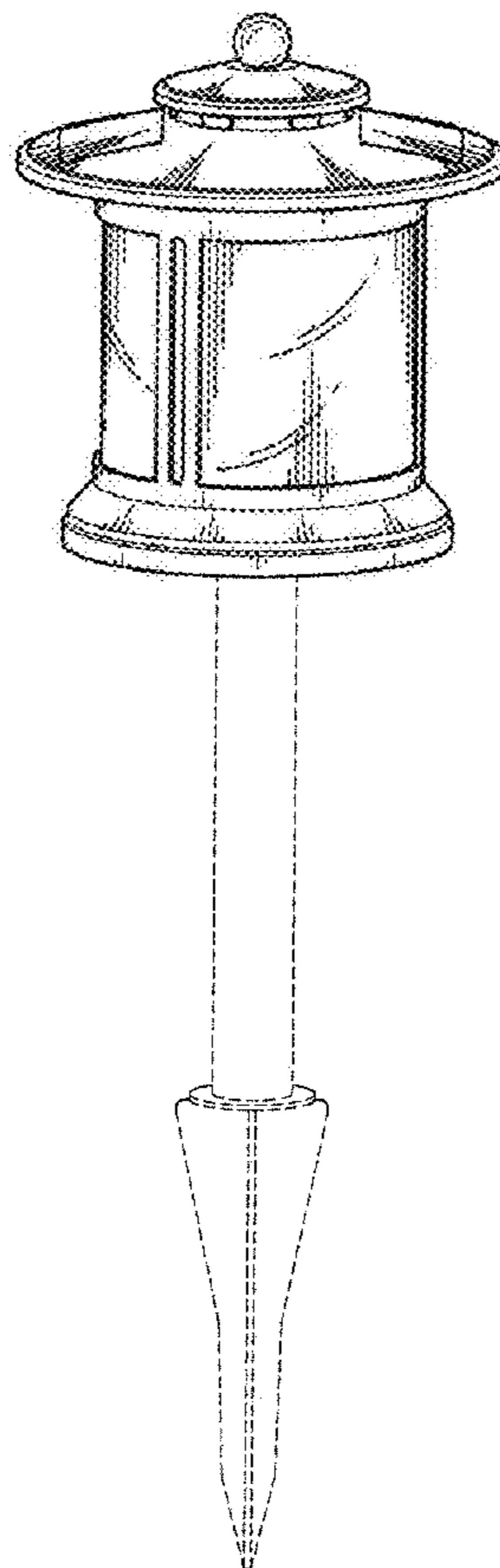
FIG. 5 is a right side view thereof;

FIG. 6 is a top view thereof; and,

FIG. 7 is a bottom view thereof.

The broken lines shown on the drawings depict portions of the landscape light that form no part of the claimed design.

**1 Claim, 6 Drawing Sheets**



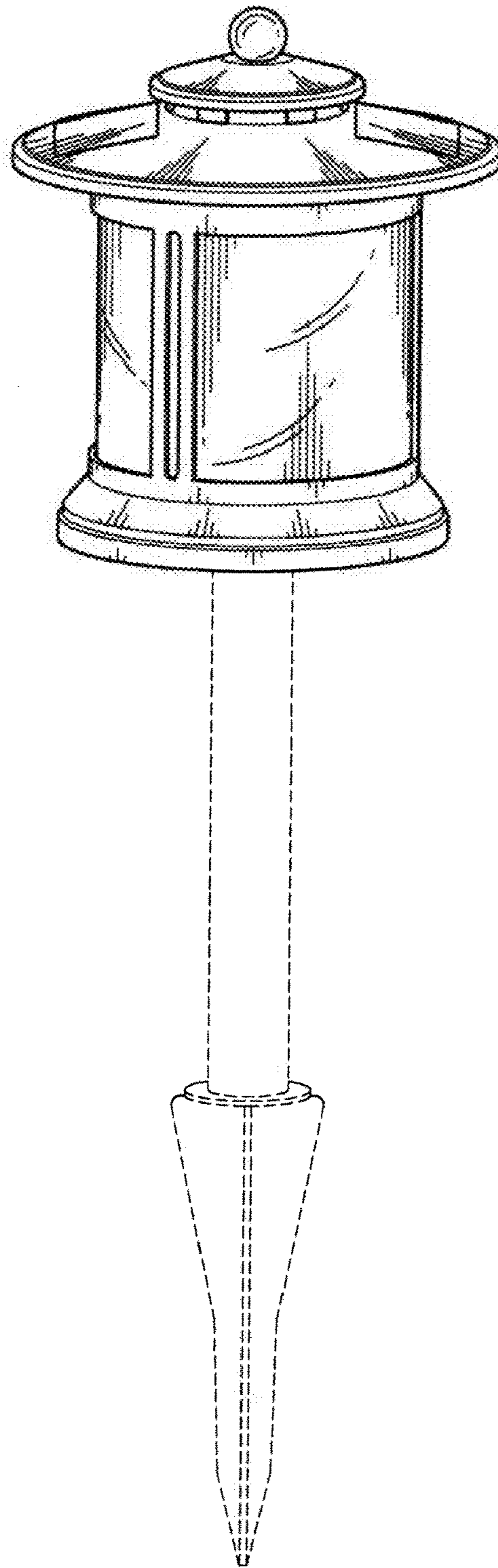


FIG. 1

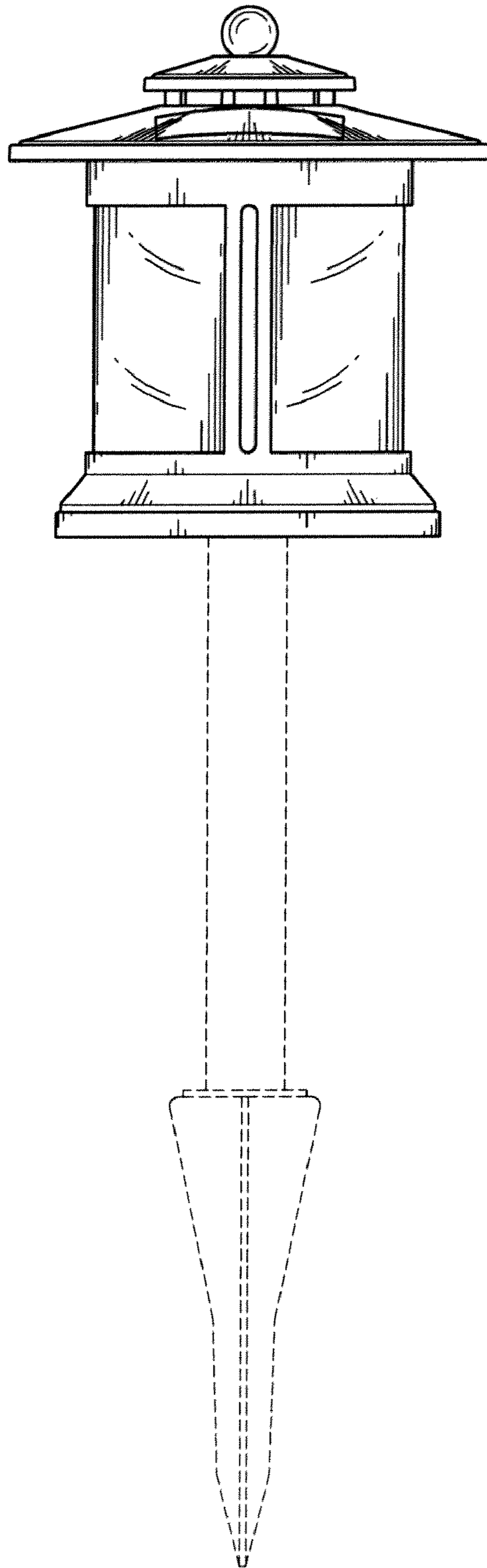


FIG. 2

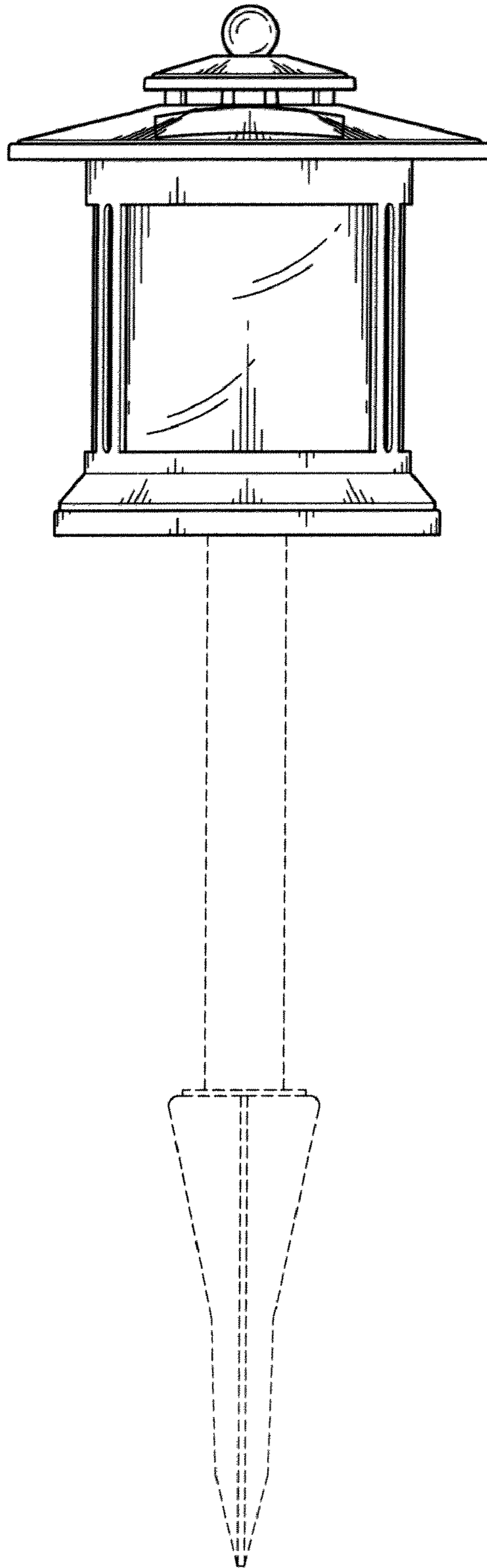


FIG. 3

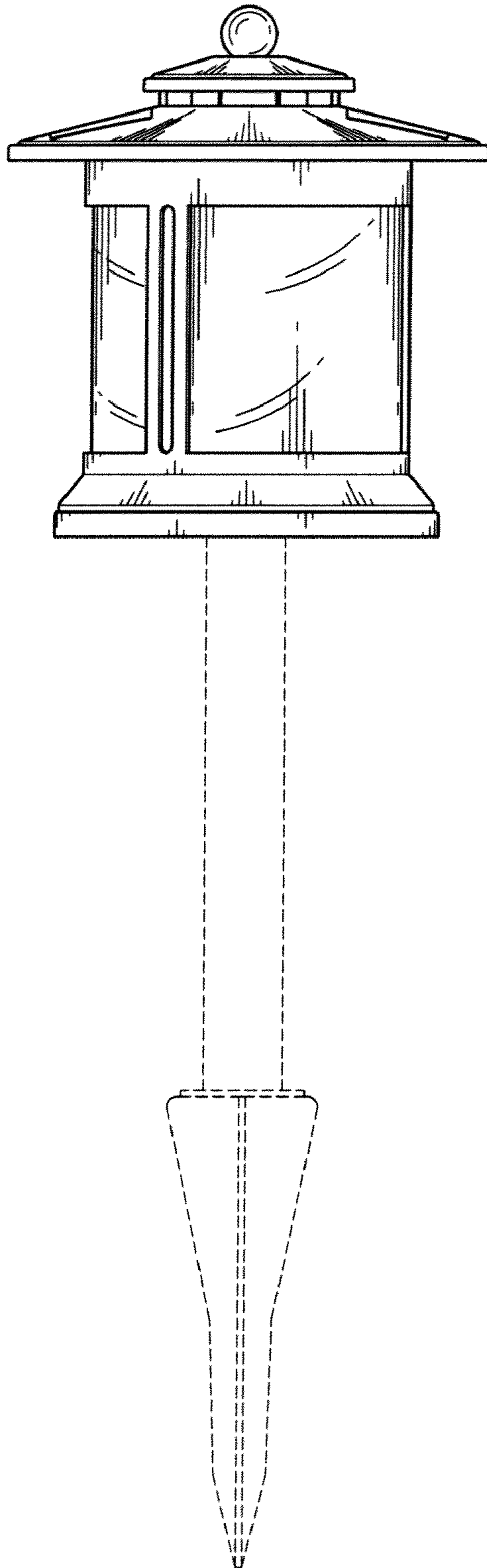


FIG. 4



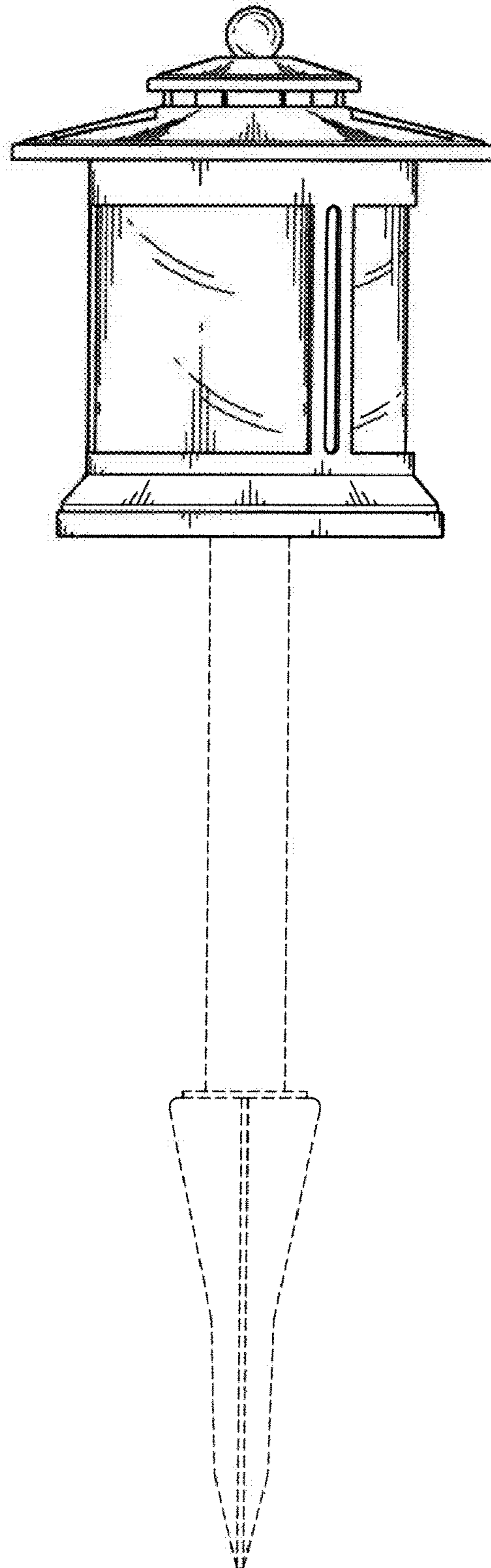


FIG. 5

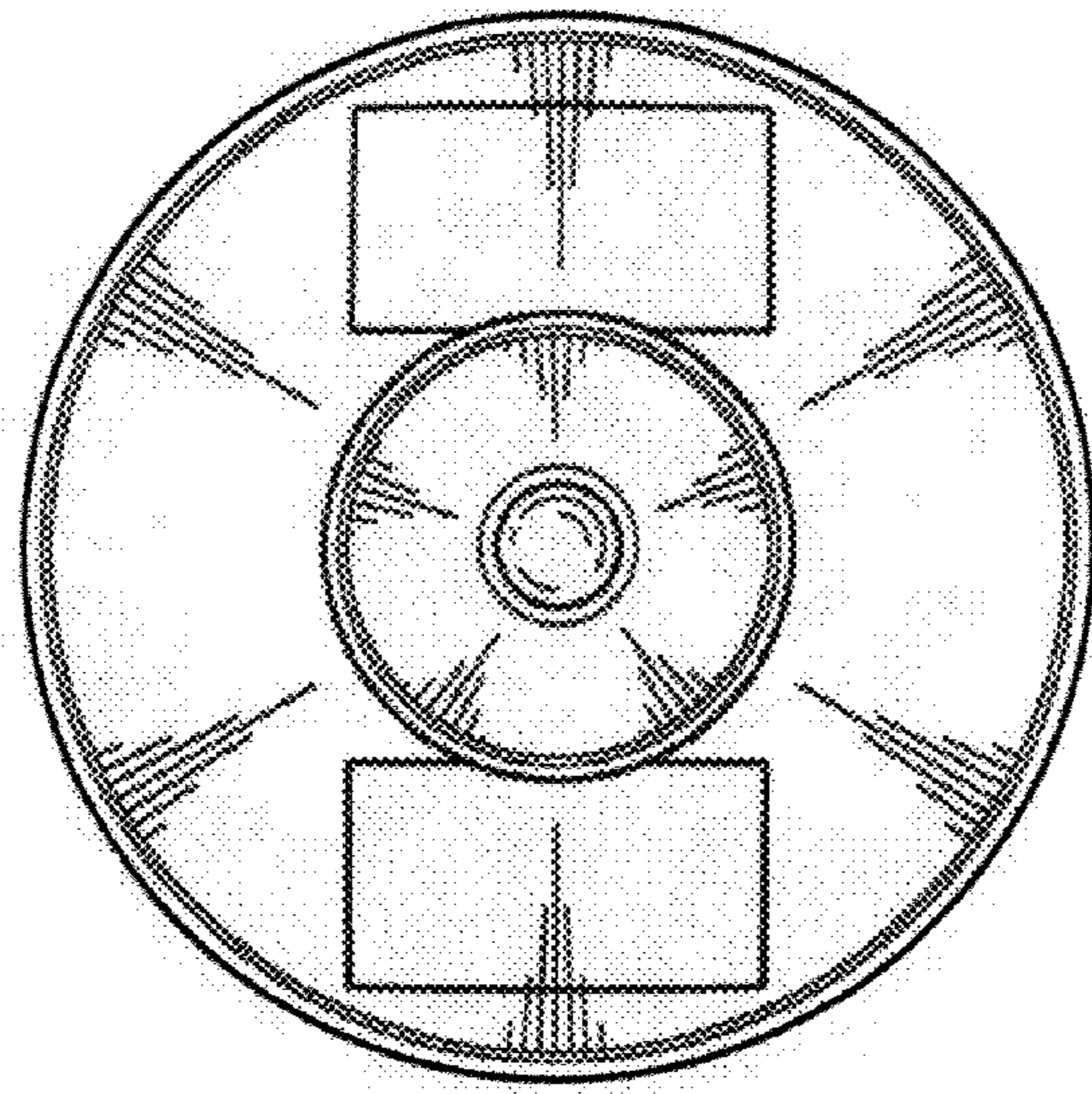


FIG. 6

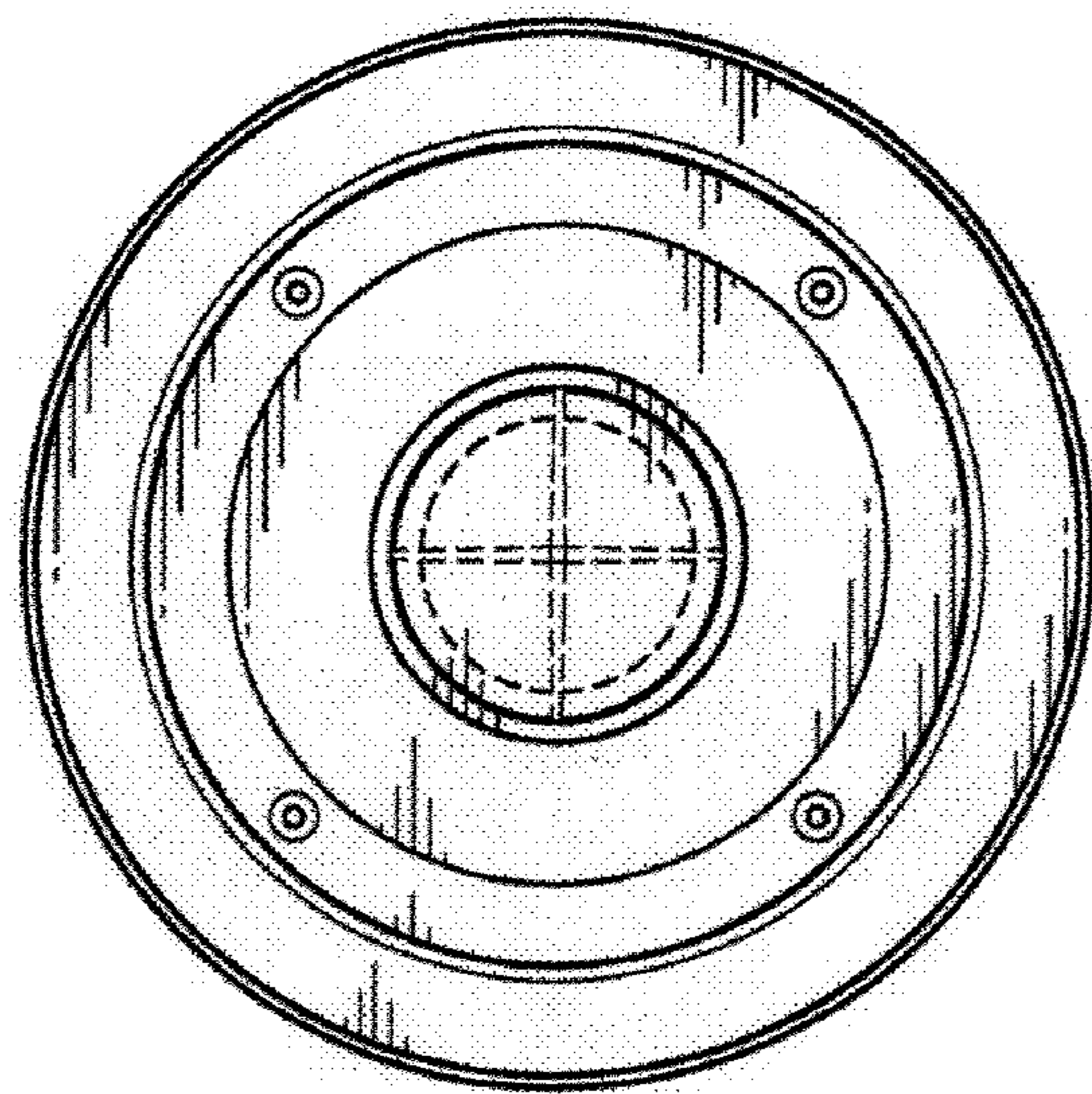


FIG. 7